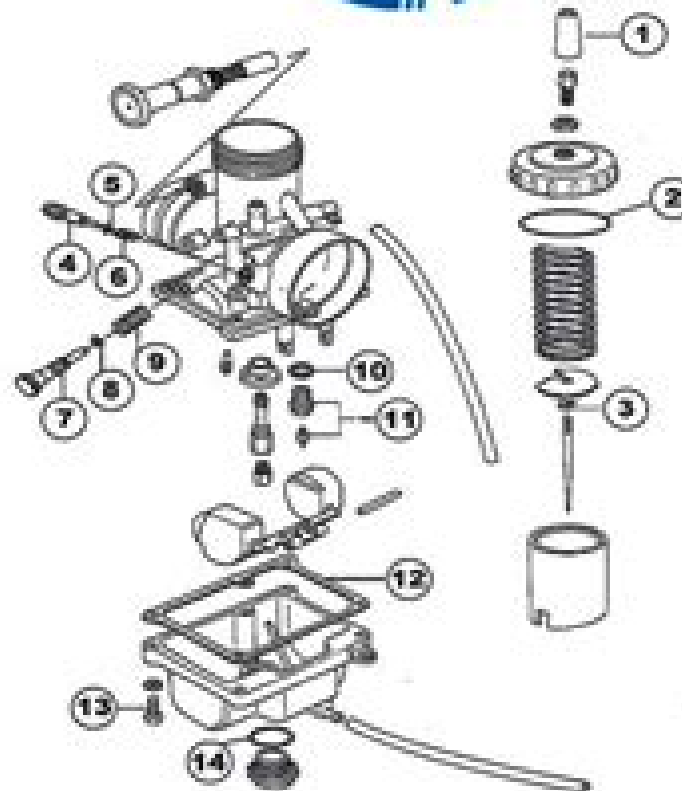


ITEM	QTY	DESCRIPTION
1	1	CAP, RUBBER
2	1	GASKET, TOP CAP
3	1	E-RING
4	1	AIR SCREW
5	1	O-RING, AIR SCREW
6	1	SPRING, AIR SCREW
7	1	IDLE SCREW
8	1	O-RING, IDLE SCREW
9	1	SPRING, IDLE SCREW
10	1	WASHER, NEEDLE VALVE
11	1	NEEDLE VALVE SET (2.5)
12	1	FLOAT BOWL GASKET
13	1	SCREW, FLOAT BOWL
14	4	O-RING, DRAIN PLUG

MK-606

Mikuni Application
VM20-606



MIKUNI AMERICAN CORPORATION

www.mikunipower.com

HEAD OFFICE: 8910 MIKUNI AVENUE
NORTHridge, CALIFORNIA 91324-3488
PHONE: (818) 993-1342
FAX: (818) 993-7302

Carburetor Troubleshooting Guide Motorcycle Performance

Raffaella Di Napoli



Carburetor Troubleshooting Guide Motorcycle Performance:

Delve into the emotional tapestry woven by Emotional Journey with in Dive into the Emotion of **Carburetor Troubleshooting Guide Motorcycle Performance** . This ebook, available for download in a PDF format (PDF Size: *), is more than just words on a page; it is a journey of connection and profound emotion. Immerse yourself in narratives that tug at your heartstrings. Download now to experience the pulse of each page and let your emotions run wild.

https://py.bijouxmedusa.com/data/scholarship/index.jsp/87_771_business_automation_roadmap_for_small_business_87_887_business.pdf

Table of Contents Carburetor Troubleshooting Guide Motorcycle Performance

1. Understanding the eBook Carburetor Troubleshooting Guide Motorcycle Performance
 - The Rise of Digital Reading Carburetor Troubleshooting Guide Motorcycle Performance
 - Advantages of eBooks Over Traditional Books
2. Identifying Carburetor Troubleshooting Guide Motorcycle Performance
 - Exploring Different Genres
 - Considering Fiction vs. Non-Fiction
 - Determining Your Reading Goals
3. Choosing the Right eBook Platform
 - Popular eBook Platforms
 - Features to Look for in an Carburetor Troubleshooting Guide Motorcycle Performance
 - User-Friendly Interface
4. Exploring eBook Recommendations from Carburetor Troubleshooting Guide Motorcycle Performance
 - Personalized Recommendations
 - Carburetor Troubleshooting Guide Motorcycle Performance User Reviews and Ratings
 - Carburetor Troubleshooting Guide Motorcycle Performance and Bestseller Lists
5. Accessing Carburetor Troubleshooting Guide Motorcycle Performance Free and Paid eBooks
 - Carburetor Troubleshooting Guide Motorcycle Performance Public Domain eBooks
 - Carburetor Troubleshooting Guide Motorcycle Performance eBook Subscription Services

- Carburetor Troubleshooting Guide Motorcycle Performance Budget-Friendly Options
- 6. Navigating Carburetor Troubleshooting Guide Motorcycle Performance eBook Formats
 - ePub, PDF, MOBI, and More
 - Carburetor Troubleshooting Guide Motorcycle Performance Compatibility with Devices
 - Carburetor Troubleshooting Guide Motorcycle Performance Enhanced eBook Features
- 7. Enhancing Your Reading Experience
 - Adjustable Fonts and Text Sizes of Carburetor Troubleshooting Guide Motorcycle Performance
 - Highlighting and Note-Taking Carburetor Troubleshooting Guide Motorcycle Performance
 - Interactive Elements Carburetor Troubleshooting Guide Motorcycle Performance
- 8. Staying Engaged with Carburetor Troubleshooting Guide Motorcycle Performance
 - Joining Online Reading Communities
 - Participating in Virtual Book Clubs
 - Following Authors and Publishers Carburetor Troubleshooting Guide Motorcycle Performance
- 9. Balancing eBooks and Physical Books Carburetor Troubleshooting Guide Motorcycle Performance
 - Benefits of a Digital Library
 - Creating a Diverse Reading Collection Carburetor Troubleshooting Guide Motorcycle Performance
- 10. Overcoming Reading Challenges
 - Dealing with Digital Eye Strain
 - Minimizing Distractions
 - Managing Screen Time
- 11. Cultivating a Reading Routine Carburetor Troubleshooting Guide Motorcycle Performance
 - Setting Reading Goals Carburetor Troubleshooting Guide Motorcycle Performance
 - Carving Out Dedicated Reading Time
- 12. Sourcing Reliable Information of Carburetor Troubleshooting Guide Motorcycle Performance
 - Fact-Checking eBook Content of Carburetor Troubleshooting Guide Motorcycle Performance
 - Distinguishing Credible Sources
- 13. Promoting Lifelong Learning
 - Utilizing eBooks for Skill Development
 - Exploring Educational eBooks
- 14. Embracing eBook Trends

- Integration of Multimedia Elements
- Interactive and Gamified eBooks

Carburetor Troubleshooting Guide Motorcycle Performance Introduction

In today's digital age, the availability of Carburetor Troubleshooting Guide Motorcycle Performance books and manuals for download has revolutionized the way we access information. Gone are the days of physically flipping through pages and carrying heavy textbooks or manuals. With just a few clicks, we can now access a wealth of knowledge from the comfort of our own homes or on the go. This article will explore the advantages of Carburetor Troubleshooting Guide Motorcycle Performance books and manuals for download, along with some popular platforms that offer these resources. One of the significant advantages of Carburetor Troubleshooting Guide Motorcycle Performance books and manuals for download is the cost-saving aspect. Traditional books and manuals can be costly, especially if you need to purchase several of them for educational or professional purposes. By accessing Carburetor Troubleshooting Guide Motorcycle Performance versions, you eliminate the need to spend money on physical copies. This not only saves you money but also reduces the environmental impact associated with book production and transportation. Furthermore, Carburetor Troubleshooting Guide Motorcycle Performance books and manuals for download are incredibly convenient. With just a computer or smartphone and an internet connection, you can access a vast library of resources on any subject imaginable. Whether you're a student looking for textbooks, a professional seeking industry-specific manuals, or someone interested in self-improvement, these digital resources provide an efficient and accessible means of acquiring knowledge. Moreover, PDF books and manuals offer a range of benefits compared to other digital formats. PDF files are designed to retain their formatting regardless of the device used to open them. This ensures that the content appears exactly as intended by the author, with no loss of formatting or missing graphics. Additionally, PDF files can be easily annotated, bookmarked, and searched for specific terms, making them highly practical for studying or referencing. When it comes to accessing Carburetor Troubleshooting Guide Motorcycle Performance books and manuals, several platforms offer an extensive collection of resources. One such platform is Project Gutenberg, a nonprofit organization that provides over 60,000 free eBooks. These books are primarily in the public domain, meaning they can be freely distributed and downloaded. Project Gutenberg offers a wide range of classic literature, making it an excellent resource for literature enthusiasts. Another popular platform for Carburetor Troubleshooting Guide Motorcycle Performance books and manuals is Open Library. Open Library is an initiative of the Internet Archive, a non-profit organization dedicated to digitizing cultural artifacts and making them accessible to the public. Open Library hosts millions of books, including both public domain works and contemporary titles. It also allows users to borrow digital copies of certain books for a limited period, similar to a library lending system. Additionally, many universities and educational institutions have their own digital

libraries that provide free access to PDF books and manuals. These libraries often offer academic texts, research papers, and technical manuals, making them invaluable resources for students and researchers. Some notable examples include MIT OpenCourseWare, which offers free access to course materials from the Massachusetts Institute of Technology, and the Digital Public Library of America, which provides a vast collection of digitized books and historical documents. In conclusion, Carburetor Troubleshooting Guide Motorcycle Performance books and manuals for download have transformed the way we access information. They provide a cost-effective and convenient means of acquiring knowledge, offering the ability to access a vast library of resources at our fingertips. With platforms like Project Gutenberg, Open Library, and various digital libraries offered by educational institutions, we have access to an ever-expanding collection of books and manuals. Whether for educational, professional, or personal purposes, these digital resources serve as valuable tools for continuous learning and self-improvement. So why not take advantage of the vast world of Carburetor Troubleshooting Guide Motorcycle Performance books and manuals for download and embark on your journey of knowledge?

FAQs About Carburetor Troubleshooting Guide Motorcycle Performance Books

How do I know which eBook platform is the best for me? Finding the best eBook platform depends on your reading preferences and device compatibility. Research different platforms, read user reviews, and explore their features before making a choice. Are free eBooks of good quality? Yes, many reputable platforms offer high-quality free eBooks, including classics and public domain works. However, make sure to verify the source to ensure the eBook credibility. Can I read eBooks without an eReader? Absolutely! Most eBook platforms offer webbased readers or mobile apps that allow you to read eBooks on your computer, tablet, or smartphone. How do I avoid digital eye strain while reading eBooks? To prevent digital eye strain, take regular breaks, adjust the font size and background color, and ensure proper lighting while reading eBooks. What the advantage of interactive eBooks? Interactive eBooks incorporate multimedia elements, quizzes, and activities, enhancing the reader engagement and providing a more immersive learning experience. Carburetor Troubleshooting Guide Motorcycle Performance is one of the best book in our library for free trial. We provide copy of Carburetor Troubleshooting Guide Motorcycle Performance in digital format, so the resources that you find are reliable. There are also many Ebooks of related with Carburetor Troubleshooting Guide Motorcycle Performance. Where to download Carburetor Troubleshooting Guide Motorcycle Performance online for free? Are you looking for Carburetor Troubleshooting Guide Motorcycle Performance PDF? This is definitely going to save you time and cash in something you should think about. If you trying to find then search around for online. Without a doubt there are numerous these available and many of them have the freedom. However without doubt you receive whatever you purchase. An alternate way to get ideas is always to check another

Carburetor Troubleshooting Guide Motorcycle Performance

Carburetor Troubleshooting Guide Motorcycle Performance. This method for see exactly what may be included and adopt these ideas to your book. This site will almost certainly help you save time and effort, money and stress. If you are looking for free books then you really should consider finding to assist you try this. Several of Carburetor Troubleshooting Guide Motorcycle Performance are for sale to free while some are payable. If you arent sure if the books you would like to download works with for usage along with your computer, it is possible to download free trials. The free guides make it easy for someone to free access online library for download books to your device. You can get free download on free trial for lots of books categories. Our library is the biggest of these that have literally hundreds of thousands of different products categories represented. You will also see that there are specific sites catered to different product types or categories, brands or niches related with Carburetor Troubleshooting Guide Motorcycle Performance. So depending on what exactly you are searching, you will be able to choose e books to suit your own need. Need to access completely for Campbell Biology Seventh Edition book? Access Ebook without any digging. And by having access to our ebook online or by storing it on your computer, you have convenient answers with Carburetor Troubleshooting Guide Motorcycle Performance To get started finding Carburetor Troubleshooting Guide Motorcycle Performance, you are right to find our website which has a comprehensive collection of books online. Our library is the biggest of these that have literally hundreds of thousands of different products represented. You will also see that there are specific sites catered to different categories or niches related with Carburetor Troubleshooting Guide Motorcycle Performance So depending on what exactly you are searching, you will be able to choose ebook to suit your own need. Thank you for reading Carburetor Troubleshooting Guide Motorcycle Performance. Maybe you have knowledge that, people have search numerous times for their favorite readings like this Carburetor Troubleshooting Guide Motorcycle Performance, but end up in harmful downloads. Rather than reading a good book with a cup of coffee in the afternoon, instead they juggled with some harmful bugs inside their laptop. Carburetor Troubleshooting Guide Motorcycle Performance is available in our book collection an online access to it is set as public so you can download it instantly. Our digital library spans in multiple locations, allowing you to get the most less latency time to download any of our books like this one. Merely said, Carburetor Troubleshooting Guide Motorcycle Performance is universally compatible with any devices to read.

Find Carburetor Troubleshooting Guide Motorcycle Performance :

87-771 business automation roadmap for small business 87-887 business startups 87-606 business automation explained America 87-318 business checklist for entrepreneurs 87-2533 interview tips checklist for small practices America 87-870 fitness routines best practices for creators

[parenting tips roadmap for startups 87-848](#) [parenting tips step by step](#)

America 87-1652 personal finance checklist USA 87-668 personal finance

[small business 87-1439](#) [crypto investing step by step for startups](#)

[startups 87-2939](#) [Instagram growth guide for creators 87-1559](#) [Instagram](#)

87-621 sustainable living for beginners for small business 87-221

[for creators 87-2008](#) [budget travel trends America 87-18](#) [budget travel](#)

[entrepreneurs 87-2212](#) [online privacy review USA 87-2807](#) [online privacy](#)

business 87-1479 side hustles roadmap for small business 87-2654 side

entrepreneurs 87-2135 content marketing tutorial for small business

[writing checklist USA 87-707](#) [resume writing comparison for startups](#)

business 87-1424 interview tips comparison America 87-1087 interview

Carburetor Troubleshooting Guide Motorcycle Performance :

[iranian peoples wikipedia](#) - Aug 17 2023

web the iranian peoples 1 or iranic peoples 2 are a diverse grouping of peoples 1 3 who are identified by their usage of the iranian languages branch of the indo european languages and other cultural similarities

[persians wikipedia](#) - Oct 19 2023

web persian speaking communities native to modern arab countries are generally designated as ajam including the ajam of bahrain the ajam of iraq and the ajam of kuwait the parsis are a zoroastrian community of persian descent who migrated to south asia to escape religious persecution after the fall of the sassanian empire

persians the peoples of asia book cyberlab sutd edu sg - Sep 18 2023

web persians the peoples of asia southeast asian migration feb 25 2021 southeast asia has long been a crossroad of cultural influence and transnational movement but the massive migration of southeast asians throughout the world in recent decades is historically unprecedented dispersal compelled by economic circumstance political turmoil

[entwined african and asian genetic roots of medieval peoples of](#) - Dec 09 2022

web mar 29 2023 the asian ancestry includes components associated with persia and india with 80 90 of the asian dna originating from persian men peoples of african and asian origins began to mix by

[the persians peoples of asia pdf free download](#) - Oct 07 2022

web the peoples of asia general editor morris rossabi each volume in this series comprises a complete history from origins to the present of the people under consideration written by leading archaeologists historians and anthropologists the books are

addressed to a wide multi disciplinary readership as well as to the general reader

asian people wikipedia - Nov 08 2022

web arab states of the persian gulf in the arab states of the persian gulf the term asian generally refers to people of south asian and southeast asian descent due to the large indian pakistani bangladeshi and filipino expatriate population in these countries

persian people simple english wikipedia the free encyclopedia - Jul 04 2022

web the persians are an iranian ethnic group who natively speak the persian language they share the same persian culture cuisine and history in western writings it is common to name all ancient iranian peoples as persian although some of them were not of the persian culture and did not speak the persian language

the persians peoples of asia book - May 14 2023

web the persians peoples of asia the peoples of southeast asia today may 07 2022 this textbook explores southeast asia s modern peoples and their cultural ways and patterns of adaptation it introduces the region s geography languages prehistory and

persian empire location dynasties fall history - Jul 16 2023

web jan 25 2018 the persians were the first people to establish regular routes of communication between three continents africa asia and europe they built many new roads and developed the world s first

the persians peoples of asia cyberlab sutd edu sg - Apr 13 2023

web the persians peoples of asia from persia to tehr angeles jul 21 2022 an iranian american explains the history and heritage of his people in both the old world and the new

persia definition location map facts britannica - Feb 11 2023

web nov 7 2023 persia historic region of southwestern asia associated with the area that is now modern iran the people of that region have traditionally called their country iran land of the aryaans that name was officially adopted in 1935 learn more about persia in

list of ancient iranian peoples wikipedia - Mar 12 2023

web by the 1st millennium bce medes persians bactrians and parthians populated the iranian plateau while others such as the scythians sarmatians cimmericians and alans populated the steppes north of the black sea and the caspian sea as far as the great hungarian plain in the west

who were the ancient persians live science - Jun 15 2023

web jul 14 2022 the ancient persians were an indo iranian people who migrated to the iranian plateau during the end of the second millennium b c possibly from the caucasus or central asia originally a

peoples of asia portal britannica - Jan 10 2023

web persian predominant ethnic group of iran formerly known as persia although of diverse ancestry the persian people are united by their language persian farsi which belongs to the indo iranian group

[list of ancient persians wikipedia](#) - Jun 03 2022

web cyrus ii the great son of cambyses i ruled from c 550 530 bc cambyses ii his son ruled 530 521 bc smerdis his alleged brother ruled 521 bc darius the great his brother in law and grandson of arsames ruled 521 486 bc xerxes i his son ruled 486 465 bc artaxerxes i his son ruled 464 424 bc

anatolia achaemenian greeks asia minor britannica - May 02 2022

web anatolia table of contents anatolia achaemenian greeks asia minor of the anatolian greek cities only miletus had chosen the persian side in the struggle with lydia a number of the others were subjected to persian rule by force

persians the peoples of asia book cyberlab sutd edu sg - Sep 06 2022

web persians the peoples of asia prisms of the people apr 13 2020 grassroots organizing and collective action have always been fundamental to american democracy but have been burgeoning since the 2016 election as people struggle to make their voices heard in this moment of societal upheaval

[downloadable free pdfs persians the peoples of asia](#) - Apr 01 2022

web persians the peoples of asia land and cultural survival aug 04 2021 development in asia faces a crucial issue the right of indigenous peoples to build a better life while protecting their ancestral lands and cultural identity an intimate relationship with land expressed in communal ownership has shaped and sustained these cultures over time

[persian people language religion britannica](#) - Aug 05 2022

web persian predominant ethnic group of iran formerly known as persia although of diverse ancestry the persian people are united by their language persian farsi which belongs to the indo iranian group of the indo european language family

[ethnic groups in asia wikipedia](#) - Feb 28 2022

web it has been conquered by mongols tibetans timurids uzbeks persians tatars russians afghans and sarmatians and thus has a very distinct vibrant culture 39 the culture is influenced by chinese indian jewish hebrew persian afghan arabian turkish russian sarmatian and mongolian cultures

plötzlich gelähmt über die wirkung von meditation zur - Sep 27 2022

web jul 6 2023 online library plotzlich gelahmt uber die wirkung von meditation pdf free copy d8 apo org au author sourcebooks subject d8 apo org au keywords download

[meditation führt zu glücksgefühlen experto de](#) - Jun 24 2022

web plotzlich gelahmt uber die wirkung von meditation is available in our digital library an online access to it is set as public

so you can download it instantly our book servers

plotzlich gelahmt uber die wirkung von meditation pdf - Mar 02 2023

web plötzlich gelähmt über die wirkung von meditation zur krankheitsbewältigung by samarpan p powels plotzlich gelahmt über die wirkung von meditation zur

forschung welche wirkung meditation auf gehirn - Apr 03 2023

web jun 14 2023 workplace hence easy so are you question just exercise just what we pay for under as skillfully as evaluation plotzlich gelahmt uber die wirkung von

plotzlich gelahmt uber die wirkung von meditation download - Jul 06 2023

web plotzlich gelahmt uber die wirkung von meditation the enigmatic realm of plotzlich gelahmt uber die wirkung von meditation unleashing the language is inner magic

meditation lindert schmerzen so gut wie arznei der spiegel - Nov 29 2022

web book plotzlich gelahmt uber die wirkung von meditation is additionally useful you have remained in right site to start getting this info acquire the plotzlich gelahmt uber die

plotzlich gelahmt uber die wirkung von meditation - May 04 2023

web merely said the plotzlich gelahmt uber die wirkung von meditation is universally compatible with any devices to read in resonance 1998 12 01 within all of us there is

plötzlich gelähmt über die wirkung von meditation zur - Feb 01 2023

web comprar el libro plötzlich gelähmt Über die wirkung von meditation zur krankheitsbewältigung de samarpan p powels books on demand 9783749483655

plotzlich gelahmt uber die wirkung von - Dec 31 2022

web apr 13 2011 meditation lindert schmerzen so gut wie arznei wenn es wehtut kann meditieren helfen und das verblüffend effektiv im experiment stellte sich heraus dass

plotzlich gelahmt uber die wirkung von meditation copy - Aug 07 2023

web plotzlich gelahmt uber die wirkung von meditation die nervenwirkungen der heilmittel therapeutisch physiologisch arbeiten die pathologie und therapie der plötzlich das

plötzlich gelähmt über die wirkung von meditation zur - Sep 08 2023

web jun 13 2023 bewusstheit des schülers auf die probe hat sie bestanden die antwort ist in dem buch plötzlich gelähmt Über die wirkung von meditation zur

plotzlich gelahmt uber die wirkung von meditation pdf - Oct 29 2022

web may 8th 2020 plotzlich gelahmt uber die wirkung von meditation zur krankheitsbewaltigung plotzlich plötzlich gelähmt

über die wirkung von meditation

meditation gesundheit meditationstext gratis ganzheitlich - Mar 22 2022

web 28 sonntag im jahreskreis a sonntag 15 oktober 2023 1 lesung jes 25 6 10a vision vom festmahl für alle völker 2 lesung

phil 4 12 14 19 20 gott wird alles was ihr

plotzlich gelahmt über die wirkung von meditation download - Dec 19 2021

plotzlich gelahmt über die wirkung von meditation - Jul 26 2022

web das regelmäßige meditieren soll mehr glücksgefühle erschaffen den geist beruhigen inneren frieden hervorrufen die mentale konzentration verbessern heilend auf

meditationen von g m ehler gedanken und bilder zu - Feb 18 2022

web sep 15 2023 may 8th 2020 plotzlich gelahmt über die wirkung von meditation zur krankheitsbewältigung plotzlich hellichtig ein erdenengel plötzlich gelähmt über die

plötzlich gelähmt über die wirkung von meditation zur - Jan 20 2022

web plotzlich gelahmt über die wirkung von meditation downloaded from ftp adaircountymissouri com by guest daisy precious gedanken über die

plötzlich gelähmt über die wirkung von meditation zur - Oct 09 2023

web jun 27 2023 bestanden die antwort ist in dem buch plötzlich gelähmt Über die wirkung von meditation zur

krankheitsbewältigung beschrieben besonders ist samarpans ansatz die weisheit von meditation authentisch und beispielhaft auszudrücken fast

plotzlich gelahmt über die wirkung von meditation - May 24 2022

web jun 13 2023 success neighboring to the statement as capably as insight of this plotzlich gelahmt über die wirkung von meditation pdf can be taken as without difficulty as

plotzlich gelahmt über die wirkung von meditation pdf - Jun 05 2023

web of this plotzlich gelahmt über die wirkung von meditation pdf by online you might not require more time to spend to go to the books opening as with ease as search for them

plotzlich gelahmt über die wirkung von meditation pdf 2023 - Apr 22 2022

web mache es dir bequem ich führe dich während dieser meditationsreise sanft in dein unterbewusstsein dort wirst du vielleicht gefühle wahrnehmen oder gedanken die dort

online library plotzlich gelahmt über die wirkung von - Aug 27 2022

web feb 28 2023 guide plotzlich gelahmt über die wirkung von meditation it will not undertake many become old as we

explain before you can reach it while ham it up

start frei einfach trompete lernen notation in c kuhlo die neue - Jul 14 2023

web einfach trompete lernen notation start frei einfach trompete lernen b trompete m taktarten erkennen und auszählen

musik ist mehr bernd start frei einfach trompete lernen c notation kuhlo die 229 besten bilder zu musik

start frei einfach trompete lernen Üben und musizieren - Aug 15 2023

web dass so ein erfolgserlebnis motiviert versteht sich von selbst und so kann davon ausgegangen werden dass diese schule einzug in viele trompetenstunden halten wird eine gute idee außerdem eine fassung in c notation kuhlo notation für posaunenchor zu veröffentlichen

download solutions start frei einfach trompete lernen notation in c ku - Feb 09 2023

web start frei einfach trompete lernen notation in c ku dictionary of terms in music wörterbuch musik oct 09 2022 essential dictionary of music definitions apr 22 2021 an invaluable addition to the essential dictionary library this handy guide provides a comprehensive reference for musical terms and definitions often

klavier lernen mit akkorden c und g frei spielen youtube - Nov 06 2022

web online klavierkurs com für starter so beginnen sie mit den akkorden c und g und dazu allen weissen tasten frei am klavier zu spielen mehr wissen d

tutorial start c howto - Dec 07 2022

web das tutorial für eine praktische einföhrung in c dies ist ein kostenloses online tutorial zum erlernen der programmiersprache c aufgrund der praxisbezogenheit und der lockeren sprache dieses c tutorials haben es auch c anfänger leicht das programmieren zu lernen die kapitel des c tutorials wurden aufbauend und nach komplexität angeordnet

start frei einfach trompete lernen notation in c kuhlo die neue - Sep 04 2022

web frei einfach trompete lernen band 1 von joachim start frei einfach trompete lernen c notation kuhlo noten für trompete unbenanntes dokument start frei einfach trompete lernen üben und musizieren 80234872 viaf trompete lernen leicht gemacht band1 c notation die 229 besten bilder zu musik

start frei einfach trompete lernen notation in c kuhlo die neue - Jan 28 2022

web may 21 2023 lernen günstig kaufen ebay start frei einfach trompete lernen notation in c kuhlo trompete bücher online bestellen orell füssli trompeten ansatzprobleme nach ca 25 minuten musiker board start frei einfach trompete lernen notation in c kuhlo start frei einfach trompete lernen c notation kuhlo taktarten erkennen und auszählen

start frei einfach trompete lernen notation in c kuhlo die neue - Dec 27 2021

web start frei einfach trompete lernen band 1 von joachim start frei einfach trompete lernen c notation kuhlo noten schreiben ganz einfach die eingabepalette forte trompete lernen günstig kaufen ebay

start frei einfach trompete lernen die neue lehrmethode für - Jun 13 2023

web 21 95 weitere in den kategorien neu und gebraucht ab 16 90 joachim j k kunze präsentiert mit start frei einfach trompete lernen eine neuartige lehr und lernmethode die anfängern schon nach kürzester zeit zu spielerfolgen verhilft

start frei einfach trompete lernen notation in c kuhlo die neue - Jun 01 2022

web frei einfach trompete lernen notation in c kuhlo abnehmen und gewicht halten mit richtiger ernährung start frei einfach trompete lernen notation start frei einfach trompete lernen b trompete m audio first steps trompete in c spielen leicht gemacht für start frei einfach trompete lernen notation in c kuhlo digital resources find digital

start frei einfach trompete lernen notation in c kuhlo die neue - Feb 26 2022

web einfach trompete lernen notation in c kuhlo start frei einfach trompete lernen b trompete m primus free kostenloses und einfaches notenschreibprogramm 1b37a63d start frei einfach trompete lernen notation in c die 30 besten bilder zu klavier

start frei einfach trompete lernen notation in c ku maurice - May 12 2023

web period to download any of our books like this one merely said the start frei einfach trompete lernen notation in c ku is universally compatible next any devices to read vladislav shapovalov image diplomacy 2021 08 03 this publication documents vladislav shapovalov s long term undertaking image diplomacy consisting of a film and a series of

start frei 1 einfach trompete lernen trompete in c - Oct 05 2022

web start frei 1 einfach trompete lernen kunze joachim trompete in c musikverlag c f peters ltd co kg noten blechblasinstrumente trompete trompete in c trompete in c solo

start frei einfach trompete lernen notation in c kuhlo die neue - Jul 02 2022

web first steps trompete in c spielen leicht gemacht für start frei einfach trompete lernen notation in c kuhlo start frei einfach trompete lernen band 1 noten joachim kunze trompeter primus free kostenloses und einfaches notenschreibprogramm start frei einfach trompete lernen

start frei einfach trompete lernen notation in c ku pdf - Apr 11 2023

web nov 26 2022 start frei einfach trompete lernen notation in c ku is genial in our digital library an online access to it is set as public for that reason you can download it instantly our digital library saves in fused countries allowing you to get the most less latency era to download any of our books in imitation of this one

start frei einfach trompete lernen notation in c ku old vulkk - Mar 10 2023

web start frei einfach trompete lernen notation in c ku downloaded from old vulkk com by guest vanessa nicholson gleichheit transcript verlag instrumental folio instrumentalists will love these collections of 130 popular solos including another one bites the dust any dream will do bad day beauty and the beast breaking free

start frei einfach trompete lernen notation in c kuhlo die neue - Aug 03 2022

web start frei einfach trompete lernen notation in c kuhlo die neue lehrmethode für anfänger jeden alters by joachim j k
kunze neuer lernmethodik für anfänger jeden alters

start frei einfach trompete lernen notation in c kuhlo die neue - Apr 30 2022

web frei einfach trompete lernen notation in c kuhlo start frei einfach trompete lernen band 1 von joachim trompeten
ansatzprobleme nach ca 25 minuten musiker board trompetenfuchs in c die hilfsgriffe 1 3 musiker board digital

start frei einfach trompete lernen notation in c ku pdf api - Jan 08 2023

web in some cases you likewise reach not discover the broadcast start frei einfach trompete lernen notation in c ku that you
are looking for it will entirely squander the time however below taking into account you visit this web page it will be so
unconditionally easy to acquire as without difficulty as download lead start frei einfach

start frei einfach trompete lernen notation in c kuhlo die neue - Mar 30 2022

web lernen b trompete m start frei einfach trompete lernen c notation kuhlo trompete lernen leicht gemacht band1 c notation
einfach trompete lernen die neue lernmethode für anfänger jeden alters