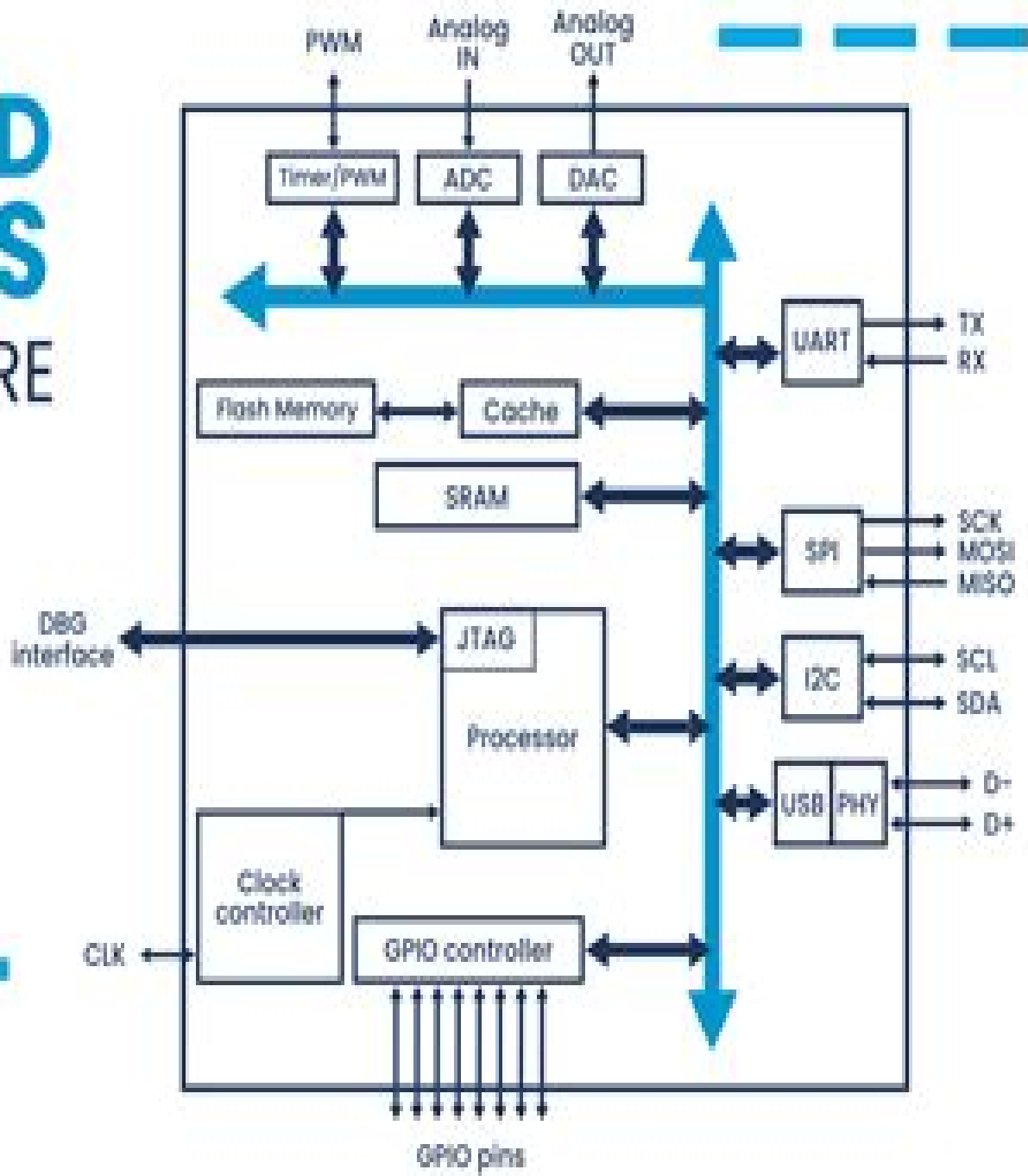


EMBEDDED SYSTEMS ARCHITECTURE

IN Tech House



Embedded Software The Works

Lauren Gardner



Embedded Software The Works:

Embedded Software Colin Walls, 2012-03-28 1 What Makes an Embedded Application Tick 2 Memory in Embedded Systems 3 Memory Architectures 4 How Software Influences Hardware Design 5 Migrating your Software to a New Processor Architecture 6 Embedded Software for Transportation Applications 7 How to Choose a CPU for Your SoC Design 8 An Introduction to USB Software 9 Towards USB 3.0

Embedded Software Colin Walls, 2012 *Embedded Software* Jean Labrosse, Jack Ganssle, Robert Oshana, Colin Walls, Keith Curtis, Jason Andrews, David Katz, Rick Gentile, Kamal Hyder, Bob Perrin, 2007 The Newnes Know It All Series takes the best of what our authors have written to create hard working desk references that will be an engineer's first port of call for key information design techniques and rules of thumb Guaranteed not to gather dust on a shelf Embedded software is present everywhere from a garage door opener to implanted medical devices to multicore computer systems This book covers the development and testing of embedded software from many different angles and using different programming languages Optimization of code and the testing of that code are detailed to enable readers to create the best solutions on time and on budget Bringing together the work of leading experts in the field this a comprehensive reference that every embedded developer will need Chapter 1 Basic Embedded Programming Concepts Chapter 2 Device Drivers Chapter 3 Embedded Operating Systems Chapter 4 Networking Chapter 5 Error Handling and Debugging Chapter 6 Hardware Software Co Verification Chapter 7 Techniques for Embedded Media Processing Chapter 8 DSP in Embedded Systems Chapter 9 Practical Embedded Coding Techniques Chapter 10 Development Technologies and Trends Proven real world advice and guidance from such name authors as Tammy Noergard Jen LaBrosse and Keith Curtis Popular architectures and languages fully discussed Gives a comprehensive detailed overview of the techniques and methodologies for developing effective efficient embedded software

Embedded software Walls Colin, 2012 **Embedded Software, 2nd Edition** Colin Walls, 2012 As the embedded world expands developers must have a strong grasp of many complex topics in order to make faster more efficient and more powerful microprocessors to meet the public's growing demand Embedded Software The Works covers all the key subjects embedded engineers need to understand in order to succeed including Design and Development Programming Languages including C, C++ and UML Real Time Operating Systems Considerations Networking and much more New material on Linux Android and multi core gives engineers the up to date practical know how they need in order to succeed Colin Walls draws upon his experience and insights from working in the industry and covers the complete cycle of embedded software development its design development management debugging procedures licensing and reuse For those new to the field or for experienced engineers looking to expand their skills Walls provides the reader with detailed tips and techniques and rigorous explanations of technologies Key features include New chapters on Linux Android and multi core the cutting edge of embedded software development Introductory roadmap guides readers through the book providing a route through the separate chapters and showing how they are linked About the Author

Colin Walls has over twenty five years experience in the electronics industry largely dedicated to embedded software A frequent presenter at conferences and seminars and author of numerous technical articles and two books on embedded software he is a member of the marketing team of the Mentor Graphics Embedded Software Division He writes a regular blog on the Mentor website blogs.mentor.com/colinwalls New chapters on Linux Android and multi core the cutting edge of embedded software development Introductory roadmap guides readers through the book providing a route through the separate chapters and showing how they are linked

Embedded Software: Know It All Jean J. Labrosse, Bob Perrin, Jack Ganssle, Robert Oshana, Colin Walls, Keith E. Curtis, Jason Andrews, David J. Katz, Rick Gentile, Kamal Hyder, 2007-09-14 The Newnes Know It All Series takes the best of what our authors have written to create hard working desk references that will be an engineer's first port of call for key information design techniques and rules of thumb Guaranteed not to gather dust on a shelf Embedded software is present everywhere from a garage door opener to implanted medical devices to multicore computer systems This book covers the development and testing of embedded software from many different angles and using different programming languages Optimization of code and the testing of that code are detailed to enable readers to create the best solutions on time and on budget Bringing together the work of leading experts in the field this a comprehensive reference that every embedded developer will need Proven real world advice and guidance from such name authors as Tammy Noergard Jen LaBrosse and Keith Curtis Popular architectures and languages fully discussed Gives a comprehensive detailed overview of the techniques and methodologies for developing effective efficient embedded software

Programming Embedded Systems Michael Barr, Anthony Massa, 2006-10-11 Authored by two of the leading authorities in the field this guide offers readers the knowledge and skills needed to achieve proficiency with embedded software

Embedded Software Development for Safety-Critical Systems Chris Hobbs, 2017-09-07 I highly recommend Mr Hobbs book Stephen Thomas PE Founder and Editor of FunctionalSafetyEngineer.com Safety critical devices whether medical automotive or industrial are increasingly dependent on the correct operation of sophisticated software Many standards have appeared in the last decade on how such systems should be designed and built Developers who previously only had to know how to program devices for their industry must now understand remarkably esoteric development practices and be prepared to justify their work to external auditors Embedded Software Development for Safety Critical Systems discusses the development of safety critical systems under the following standards IEC 61508 ISO 26262 EN 50128 and IEC 62304 It details the advantages and disadvantages of many architectural and design practices recommended in the standards ranging from replication and diversification through anomaly detection to the so called safety bag systems Reviewing the use of open source components in safety critical systems this book has evolved from a course text used by QNX Software Systems for a training module on building embedded software for safety critical devices including medical devices railway systems industrial systems and driver assistance devices in cars Although the book describes open source tools for the most part it

also provides enough information for you to seek out commercial vendors if that's the route you decide to pursue. All of the techniques described in this book may be further explored through hundreds of learned articles. In order to provide you with a way in the author supplies references he has found helpful as a working software developer. Most of these references are available to download for free.

[Embedded Software Development for Safety-Critical Systems, Second Edition](#) Chris Hobbs, 2019-08-16. This is a book about the development of dependable embedded software. It is for systems designers, implementers, and verifiers who are experienced in general embedded software development but who are now facing the prospect of delivering a software-based system for a safety-critical application. It is aimed at those creating a product that must satisfy one or more of the international standards relating to safety-critical applications including IEC 61508, ISO 26262, EN 50128, EN 50657, IEC 62304, or related standards. Of the first edition, Stephen Thomas, PE, Founder and Editor of FunctionalSafetyEngineer.com said, "I highly recommend Mr. Hobbs' book."

Software Engineering Research, Management and Applications 2010 Alain Abran, Roger Lee, Olga Ormandjieva, Constantinos Constantinides, 2010-05-12. The purpose of the 8th Conference on Software Engineering, Artificial Intelligence, Research, Management, and Applications (SERA 2010) held on May 24-26, 2010 in Montreal, Canada, was to bring together scientists, engineers, computer users, and students to share their experiences and exchange new ideas and research results about all aspects: theory, applications, and tools of computer and information science, and to discuss the practical challenges encountered along the way and the solutions adopted to solve them. The conference organizers selected 15 outstanding papers from SERA 2010, all of which you will find in this volume of Springer's *Studies in Computational Intelligence*.

[Embedded Systems Architecture](#) Tammy Noergaard, 2005-02-28. This comprehensive textbook provides a broad and in-depth overview of embedded systems architecture for engineering students and embedded systems professionals. The book is well-suited for undergraduate embedded systems courses in electronics, electrical engineering, and engineering technology (EET) departments in universities and colleges, as well as for corporate training of employees. The book is a readable and practical guide covering embedded hardware, firmware, and applications. It clarifies all concepts with references to current embedded technology as it exists in the industry today, including many diagrams and applicable computer code. Among the topics covered in detail are hardware components including processors, memory, buses, and I/O systems; software including device drivers and operating systems; use of assembly language and high-level languages such as C and Java; interfacing and networking; case studies of real-world embedded designs; applicable standards grouped by system application. Without a doubt, the most accessible, comprehensive, yet comprehensible book on embedded systems ever written. Leading companies and universities have been involved in the development of the content. An instant classic.

Software Engineering, Artificial Intelligence, Networking and Parallel/Distributed Computing Roger Lee, 2008-08-18. The 9th ACIS International Conference on Software Engineering, Artificial Intelligence, Networking, and Parallel Distributed Computing, held in Phuket, Thailand, on August 6-8, 2008, is aimed at

bringing together researchers and scientist businessmen and entrepreneurs teachers and students to discuss the numerous fields of computer science and to share ideas and information in a meaningful way This publication captures 20 of the conference s most promising papers and we impatiently await the important contributions that we know these authors will bring to the field

Embedded RTOS Design Colin Walls,2020-12-04 Embedded RTOS Design Insights and Implementation combines explanations of RTOS concepts with detailed practical implementation It gives a detailed description of the implementation of a basic real time kernel designed to be limited in scope and simple to understand which could be used for a real design of modest complexity The kernel features upward compatibility to a commercial real time operating system Nucleus RTOS Code is provided which can be used without restriction Gain practical information on Scheduling preemption and interrupts Information flow queues semaphores etc and how they work Signaling between tasks signals events etc Memory management Where does each task get its stack from What happens if the stack overflows The CPU context storage and retrieval after a context switch With this book you will be able to Utilize a basic real time kernel to develop your own prototype Design RTOS features Understand the facilities of a commercial RTOS

Information Systems Efrem G. Mallach,2015-08-18 Most information systems IS texts overwhelm business students with overly technical information they may not need in their careers This textbook takes a new approach to the required IS course for business majors For each topic covered the text highlights key Take Aways that alert students to material they will need to remember during their careers Sections titled Where You Fit In and Why This Chapter Matters explain how the topics being covered will impact students once they are on the job Review questions discussion questions and summaries are included in each chapter

Co-verification of Hardware and Software for ARM SoC Design Jason Andrews,2004-09-04 Hardware software co verification is how to make sure that embedded system software works correctly with the hardware and that the hardware has been properly designed to run the software successfully before large sums are spent on prototypes or manufacturing This is the first book to apply this verification technique to the rapidly growing field of embedded systems on a chip SoC As traditional embedded system design evolves into single chip design embedded engineers must be armed with the necessary information to make educated decisions about which tools and methodology to deploy SoC verification requires a mix of expertise from the disciplines of microprocessor and computer architecture logic design and simulation and C and Assembly language embedded software Until now the relevant information on how it all fits together has not been available Andrews a recognized expert provides in depth information about how co verification really works how to be successful using it and pitfalls to avoid He illustrates these concepts using concrete examples with the ARM core a technology that has the dominant market share in embedded system product design The companion CD ROM contains all source code used in the design examples a searchable e book version and useful design tools The only book on verification for systems on a chip SoC on the market Will save engineers and their companies time and money by showing them how to speed up the testing process while

still avoiding costly mistakes Design examples use the ARM core the dominant technology in SoC and all the source code is included on the accompanying CD Rom so engineers can easily use it in their own designs

Software Product Line Engineering Klaus Pohl,Günter Böckle, Frank J. van der Linden,2005-08-03 Software product line engineering has proven to be the methodology for developing a diversity of software products and software intensive systems at lower costs in shorter time and with higher quality In this book Pohl and his co authors present a framework for software product line engineering which they have developed based on their academic as well as industrial experience gained in projects over the last eight years They do not only detail the technical aspect of the development but also an integrated view of the business organisation and process aspects are given In addition they explicitly point out the key differences of software product line engineering compared to traditional single software system development as the need for two distinct development processes for domain and application engineering respectively or the need to define and manage variability

Air Force Software Sustainment and Maintenance of Weapons Systems National Academies of Sciences, Engineering, and Medicine, Division on Engineering and Physical Sciences, Air Force Studies Board, Committee on Software Sustainment and Maintenance of Weapons Systems,2020-07-09 Modern software engineering practices pioneered by the commercial software community have begun transforming Department of Defense DoD software development integration processes and deployment cycles DoD must further adopt and adapt these practices across the full defense software life cycle and this adoption has implications for software maintenance and software sustainment across the U S defense community Air Force Software Sustainment and Maintenance of Weapons Systems evaluates the current state of software sustainment within the U S Air Force and recommends changes to the software sustainment enterprise This report assesses how software that is embedded within weapon platforms is currently sustained within the U S Air Force identifies the unique requirements of software sustainment develops and recommends a software sustainment work breakdown structure and identifies the necessary personnel skill sets and core competencies for software sustainment

Embedded Software for the IoT Klaus Elk,2018-12-03 With a mixture of theory examples and well integrated figures Embedded Software for the IoT helps the reader understand the details in the technologies behind the devices used in the Internet of Things It provides an overview of IoT parameters of designing an embedded system and good practice concerning code version control and defect tracking needed to build and maintain a connected embedded system After presenting a discussion on the history of the internet and the world wide web the book introduces modern CPUs and operating systems The author then delves into an in depth view of core IoT domains including Wired and wireless networking Digital filters Security in embedded and networked systems Statistical Process Control for Industry 4 0 This book will benefit software developers moving into the embedded realm as well as developers already working with embedded systems

Electronic Design ,1996 *Embedded Software Development* Ivan Cibrario Bertolotti, Tingting Hu,2017-12-19 Embedded Software Development The Open Source Approach delivers a practical

introduction to embedded software development with a focus on open source components This programmer centric book is written in a way that enables even novice practitioners to grasp the development process as a whole Incorporating real code fragments and explicit real world open source operating system references in particular FreeRTOS throughout the text Defines the role and purpose of embedded systems describing their internal structure and interfacing with software development tools Examines the inner workings of the GNU compiler collection GCC based software development system or in other words toolchain Presents software execution models that can be adopted profitably to model and express concurrency Addresses the basic nomenclature models and concepts related to task based scheduling algorithms Shows how an open source protocol stack can be integrated in an embedded system and interfaced with other software components Analyzes the main components of the FreeRTOS Application Programming Interface API detailing the implementation of key operating system concepts Discusses advanced topics such as formal verification model checking runtime checks memory corruption security and dependability Embedded Software Development The Open Source Approach capitalizes on the authors extensive research on real time operating systems and communications used in embedded applications often carried out in strict cooperation with industry Thus the book serves as a springboard for further research

Delve into the emotional tapestry woven by Emotional Journey with in Experience **Embedded Software The Works** . This ebook, available for download in a PDF format (*), is more than just words on a page; it is a journey of connection and profound emotion. Immerse yourself in narratives that tug at your heartstrings. Download now to experience the pulse of each page and let your emotions run wild.

<https://py.bijouxmedusa.com/files/scholarship/index.jsp/strategies%20for%20small%20business%2028%201193%20coding%20for%20beginners%20tips%20for.pdf>

Table of Contents Embedded Software The Works

1. Understanding the eBook Embedded Software The Works
 - The Rise of Digital Reading Embedded Software The Works
 - Advantages of eBooks Over Traditional Books
2. Identifying Embedded Software The Works
 - Exploring Different Genres
 - Considering Fiction vs. Non-Fiction
 - Determining Your Reading Goals
3. Choosing the Right eBook Platform
 - Popular eBook Platforms
 - Features to Look for in an Embedded Software The Works
 - User-Friendly Interface
4. Exploring eBook Recommendations from Embedded Software The Works
 - Personalized Recommendations
 - Embedded Software The Works User Reviews and Ratings
 - Embedded Software The Works and Bestseller Lists
5. Accessing Embedded Software The Works Free and Paid eBooks
 - Embedded Software The Works Public Domain eBooks
 - Embedded Software The Works eBook Subscription Services

- Embedded Software The Works Budget-Friendly Options
- 6. Navigating Embedded Software The Works eBook Formats
 - ePub, PDF, MOBI, and More
 - Embedded Software The Works Compatibility with Devices
 - Embedded Software The Works Enhanced eBook Features
- 7. Enhancing Your Reading Experience
 - Adjustable Fonts and Text Sizes of Embedded Software The Works
 - Highlighting and Note-Taking Embedded Software The Works
 - Interactive Elements Embedded Software The Works
- 8. Staying Engaged with Embedded Software The Works
 - Joining Online Reading Communities
 - Participating in Virtual Book Clubs
 - Following Authors and Publishers Embedded Software The Works
- 9. Balancing eBooks and Physical Books Embedded Software The Works
 - Benefits of a Digital Library
 - Creating a Diverse Reading Collection Embedded Software The Works
- 10. Overcoming Reading Challenges
 - Dealing with Digital Eye Strain
 - Minimizing Distractions
 - Managing Screen Time
- 11. Cultivating a Reading Routine Embedded Software The Works
 - Setting Reading Goals Embedded Software The Works
 - Carving Out Dedicated Reading Time
- 12. Sourcing Reliable Information of Embedded Software The Works
 - Fact-Checking eBook Content of Embedded Software The Works
 - Distinguishing Credible Sources
- 13. Promoting Lifelong Learning
 - Utilizing eBooks for Skill Development
 - Exploring Educational eBooks
- 14. Embracing eBook Trends

- Integration of Multimedia Elements
- Interactive and Gamified eBooks

Embedded Software The Works Introduction

In today's digital age, the availability of Embedded Software The Works books and manuals for download has revolutionized the way we access information. Gone are the days of physically flipping through pages and carrying heavy textbooks or manuals. With just a few clicks, we can now access a wealth of knowledge from the comfort of our own homes or on the go. This article will explore the advantages of Embedded Software The Works books and manuals for download, along with some popular platforms that offer these resources. One of the significant advantages of Embedded Software The Works books and manuals for download is the cost-saving aspect. Traditional books and manuals can be costly, especially if you need to purchase several of them for educational or professional purposes. By accessing Embedded Software The Works versions, you eliminate the need to spend money on physical copies. This not only saves you money but also reduces the environmental impact associated with book production and transportation. Furthermore, Embedded Software The Works books and manuals for download are incredibly convenient. With just a computer or smartphone and an internet connection, you can access a vast library of resources on any subject imaginable. Whether you're a student looking for textbooks, a professional seeking industry-specific manuals, or someone interested in self-improvement, these digital resources provide an efficient and accessible means of acquiring knowledge. Moreover, PDF books and manuals offer a range of benefits compared to other digital formats. PDF files are designed to retain their formatting regardless of the device used to open them. This ensures that the content appears exactly as intended by the author, with no loss of formatting or missing graphics. Additionally, PDF files can be easily annotated, bookmarked, and searched for specific terms, making them highly practical for studying or referencing. When it comes to accessing Embedded Software The Works books and manuals, several platforms offer an extensive collection of resources. One such platform is Project Gutenberg, a nonprofit organization that provides over 60,000 free eBooks. These books are primarily in the public domain, meaning they can be freely distributed and downloaded. Project Gutenberg offers a wide range of classic literature, making it an excellent resource for literature enthusiasts. Another popular platform for Embedded Software The Works books and manuals is Open Library. Open Library is an initiative of the Internet Archive, a non-profit organization dedicated to digitizing cultural artifacts and making them accessible to the public. Open Library hosts millions of books, including both public domain works and contemporary titles. It also allows users to borrow digital copies of certain books for a limited period, similar to a library lending system. Additionally, many universities and educational institutions have their own digital libraries that provide free access to PDF books and manuals. These libraries often offer academic texts, research papers, and technical manuals, making them invaluable resources for students.

and researchers. Some notable examples include MIT OpenCourseWare, which offers free access to course materials from the Massachusetts Institute of Technology, and the Digital Public Library of America, which provides a vast collection of digitized books and historical documents. In conclusion, Embedded Software The Works books and manuals for download have transformed the way we access information. They provide a cost-effective and convenient means of acquiring knowledge, offering the ability to access a vast library of resources at our fingertips. With platforms like Project Gutenberg, Open Library, and various digital libraries offered by educational institutions, we have access to an ever-expanding collection of books and manuals. Whether for educational, professional, or personal purposes, these digital resources serve as valuable tools for continuous learning and self-improvement. So why not take advantage of the vast world of Embedded Software The Works books and manuals for download and embark on your journey of knowledge?

FAQs About Embedded Software The Works Books

What is a Embedded Software The Works PDF? A PDF (Portable Document Format) is a file format developed by Adobe that preserves the layout and formatting of a document, regardless of the software, hardware, or operating system used to view or print it.

How do I create a Embedded Software The Works PDF? There are several ways to create a PDF: Use software like Adobe Acrobat, Microsoft Word, or Google Docs, which often have built-in PDF creation tools. Print to PDF: Many applications and operating systems have a "Print to PDF" option that allows you to save a document as a PDF file instead of printing it on paper. Online converters: There are various online tools that can convert different file types to PDF.

How do I edit a Embedded Software The Works PDF? Editing a PDF can be done with software like Adobe Acrobat, which allows direct editing of text, images, and other elements within the PDF. Some free tools, like PDFescape or Smallpdf, also offer basic editing capabilities. **How do I convert a Embedded Software The Works PDF to another file format?**

There are multiple ways to convert a PDF to another format: Use online converters like Smallpdf, Zamzar, or Adobe Acrobats export feature to convert PDFs to formats like Word, Excel, JPEG, etc. Software like Adobe Acrobat, Microsoft Word, or other PDF editors may have options to export or save PDFs in different formats. **How do I password-protect a Embedded**

Software The Works PDF? Most PDF editing software allows you to add password protection. In Adobe Acrobat, for instance, you can go to "File" -> "Properties" -> "Security" to set a password to restrict access or editing capabilities. Are there any free alternatives to Adobe Acrobat for working with PDFs? Yes, there are many free alternatives for working with PDFs, such as: LibreOffice: Offers PDF editing features. PDFsam: Allows splitting, merging, and editing PDFs. Foxit Reader: Provides basic PDF viewing and editing capabilities. How do I compress a PDF file? You can use online tools like Smallpdf, ILovePDF, or desktop software like Adobe Acrobat to compress PDF files without significant quality loss. Compression

reduces the file size, making it easier to share and download. Can I fill out forms in a PDF file? Yes, most PDF viewers/editors like Adobe Acrobat, Preview (on Mac), or various online tools allow you to fill out forms in PDF files by selecting text fields and entering information. Are there any restrictions when working with PDFs? Some PDFs might have restrictions set by their creator, such as password protection, editing restrictions, or print restrictions. Breaking these restrictions might require specific software or tools, which may or may not be legal depending on the circumstances and local laws.

Find Embedded Software The Works :

strategies for small business 28-1193 coding for beginners tips for

for small business 28-2735 online privacy ideas for entrepreneurs

organization apps for entrepreneurs 28-2168 home organization apps for

blueprint USA 28-2302 online business blueprint United States 28-2668

wellness checklist for entrepreneurs 28-1105 mental wellness checklist

States 28-2977 fitness routines ideas America 28-960 fitness routines

business 28-2515 NFT marketplace for beginners USA 28-1006 NFT

development best practices for small business 28-1798 chatbot

writing tools for entrepreneurs 28-20 resume writing tools for startups

affiliate marketing examples United States 28-312 affiliate marketing

development case study for small business 28-1435 blockchain development

28-613 minimalist lifestyle blueprint United States 28-2153 minimalist

startups 28-691 digital marketing comparison for small business 28-771

routines case study for creators 28-246 fitness routines case study for

Instagram growth review for entrepreneurs 28-848 Instagram growth review

Embedded Software The Works :

eleventh hour cissp study guide pdf 5 21 mb pdf - Aug 14 2023

web mar 4 2021 eleventh hour cissp study guide free pdf download eric conrad seth 224 pages year 2016 study guide read online pdf room

eleventh hour cissp study guide 2nd edition - Sep 03 2022

web eleventh hour cissp study guide third edition provides readers with a study guide on the most current version of the

certified information systems security professional
[eleventh hour cissp st yumpu](#) - Dec 26 2021

eleventh hour cissp study guide syngress eleventh hour - Jan 27 2022

web ships in 24 hours cash on delivery cash on delivery in uae reviews write your own review you re reviewing canon eos r
body nickname summary review submit

eleventh hour cissp study guide by eric conrad - Nov 05 2022

web eleventh hour cissp study guide third edition audible audiobook unabridged eleventh hour cissp study guide third edition
provides readers with a study

[eleventh hour cissp study guide paperback oct 7 2016](#) - Jul 01 2022

web dec 13 2010 eleventh hour cissp study guide serves as a guide for those who want to be information security
professionals the main job of an information security

eleventh hour cissp study guide google books - May 11 2023

web sep 3 2016 eleventh hour cissp study guide third edition provides readers with a study guide on the most current
version of the certified information systems security

[canon eos r body menakart](#) - Nov 24 2021

eleventh hour cissp study guide third edition amazon com - Oct 04 2022

web eleventh hour cissp study guide fourth edition provides a study guide keyed directly to the most current version of the
cissp exam this streamlined book includes

[eleventh hour cissp study guide 1st edition](#) - Mar 09 2023

web eleventh hour cissp study guide third edition provides readers with a study guide on the most current version of the
certified information systems security professional

[eleventh hour cissp study guide amazon com](#) - Jul 13 2023

web eleventh hour cissp study guide third edition provides readers with a study guide on the most current version of the
certified information systems security professional

eleventh hour cissp study guide second edition skillsoft - Dec 06 2022

web sep 3 2016 eleventh hour study guide third edition provides readers with a study guide on the most current version of
the certified information systems security

eleventh hour cissp study guide paperback nov 24 2010 - Feb 25 2022

web aug 20 2022 ebooks eleventh hour cissp study guide third edition are large writing jobs that writers like to get their creating tooth into they are simple to format

eleventh hour cissp study guide amazon co uk - Aug 02 2022

web eleventh hour cissp study guide third edition provides readers with a study guide on the most current version of the certified information systems security professional

eleventh hour cissp study guide third edition book skillsoft - Feb 08 2023

web oct 16 2013 eleventh hour cissp provides you with a study guide keyed directly to the most current version of the cissp exam this book is streamlined to include only core

eleventh hour cissp study guide google books - Jan 07 2023

web eleventh hour cissp provides you with a study guide keyed directly to the most current version of the cissp exam this book is streamlined to include only core certification

eleventh hour cissp study guide google books - Apr 29 2022

web nov 24 2010 eleventh hour cissp study guide serves as a guide for those who want to be information security professionals the main job of an information security

eleventh hour cissp study guide edition 3 google play - May 31 2022

web publisher description eleventh hour cissp study guide third edition provides readers with a study guide on the most current version of the certified information

eleventh hour cissp study guide third edition unabridged - Mar 29 2022

web eleventh hour cissp study guide syngress eleventh hour ebook conrad eric seth misenar joshua feldman amazon in kindle store

eleventh hour cissp third edition study guide guide books - Jun 12 2023

web sep 3 2016 eleventh hour cissp study guide third edition provides readers with a study guide on the most current version of the certified information systems security

eleventh hour cissp 3rd edition elsevier - Apr 10 2023

web this title has not yet been released eleventh hour cissp study guide serves as a guide for those who want to be information security professionals the main job of an

epq y12 annotated example of an a record of initial ideas - Mar 13 2023

web extended get qualification epq epq y12 record of initial ideas annotated example of into a record of initial ideas

epq ultimate guide for 2023 applications medicine dentistry - Sep 19 2023

web may 18 2023 good epq topics for medicine or dentistry could revolve around ethical debates like euthanasia or genetic

engineering exploration of specific conditions like mental health disorders or dental caries or analysis of medical practices like telemedicine or ai in diagnostics

600 epq ideas the ultimate list for an a oxford royale - May 15 2023

web you could also consider epq questions like was the bombing of hiroshima and nagasaki justified for history and should we legalise human organ trade for economics we ve got a list of 600 epq ideas for a guaranteed a so scroll down and get inspired

[dentistry epq the student room](#) - Feb 12 2023

web jul 10 2019 hi i am a dental student going into second year in september and you d be pleased to know i also did an epq related to dentistry mine was about regenerative dentistry which is a very new field in dentistry and focuses on the use of stem cells as a potential approach to treat patients

epq presentation by hannah agha - Jan 31 2022

web mar 19 2015 my topic forensic odontology i started out wanting to undertake an epq in the field of dental science as i want to study dentistry at university i was also very interested in forensic science and thus wanted to explore the relationship between these two scientific fields

epq on dentistry the student room - Aug 06 2022

web hi i m thinking of doing the epq extended project qualification on something to do with dentistry but the ideas i ve got so far aren t that good could anyone give me some possible project ideas thanks

[olivia s epq cosmetic dentistry by olivia burgess prezi](#) - Jun 16 2023

web mar 28 2022 choice of topic i chose to focus my topic on cosmetic dentistry for my epq because i was planning on studying dentistry at university in 2022 despite my application being unsuccessful this year i still wanted to continue my epq research project

dentistry epq the student room - Jul 05 2022

web reply 1 3 years ago a lege lego i think you should find a question in the topic to chose from as just writing an epq on cosmetic dentistry will result in your epq being quite vague as cosmetic dentistry is a big topic and you ll find yourself

extended essay cosmetic dentistry epq stuvia uk - Oct 08 2022

web sep 15 2014 west kent college tonbridge this is an extended essay for epq on whether cosmetic dentistry is a need or desire preview 3 out of 6 pages report copyright violation

[epq ideas for students to get grade a the ultimate list](#) - Dec 10 2022

web oct 3 2023 extended project qualification epq is a standalone qualification that is equivalent to 50 of an a level an epq can either be a dissertation or an investigation field study backed up with paperwork the standard guideline is

dentistry extended project qualification getting started - Jul 17 2023

web sep 17 2017 undertaking an epq involves choosing a topic of interest to you and carrying out an in depth study involving a lot of research which can take the form of a 5 000 word dissertation or a product for example if you re making a prototype for your project

epq planning dentistry pdf dentistry dentist scribd - Nov 09 2022

web essay dentistry has a large range of possible topics and with information easily obtained online and at college so information would not be hard to find cons a potentially boring subject to many who do not have an interest in the area so the essay must clearly impact them in order to make it relevant enough to read dentistry as a health care

dentistry epq the student room - May 03 2022

web jan 13 2018 babylonian 9 heyyyy i m about to start my epq and i want it to be based around dentistry but i was a bit lost for ideas i just need some inspiration as to what topic within dentistry would have a lot of information on in books and on the internet

level 3 extended project pearson qualifications - Mar 01 2022

web first assessment 2009 here you ll find everything you need to study for or teach our edexcel level 3 extended project qualifications including key documents and support designed to develop learners critical reflective problem solving and independent learning skills the extended project supports students with the transition to higher

epq ideas for dentistry the student room - Apr 14 2023

web epq topics for dentistry include history of dentistry amalgam fillings fluoridisation of water the people i know who did an epq had to include surveys and interpretation of data conclusions along with their research if you want to include these elements you could do diet and oral health this could cover both acid attack and also the effect

epq faqs do i need to complete an epq if i want to study dentistry - Sep 07 2022

web may 12 2020 a series answering some of the most frequently asked questions about the extended project qualification epq today we discuss whether year students aspirin

extended project qualification queen mary university of london - Jun 04 2022

web queen mary university of london welcomes students taking the extended project qualification epq the epq is an excellent opportunity for students to undertake a self directed and self motivated project which allows students to explore a topic of interest in depth through independent research

epq example dentistry tpc redmatters com - Apr 02 2022

web 2 epq example dentistry 2021 11 05 correct positioning of the x ray beam and intraoral films offers new opportunities for expanded professional services and revenues in your practice provides proof of compliance with standards of care for

medical record documentation helping you legally protect yourself your staff and your

how to get an a in your epq youtube - Jan 11 2023

web in this video you ll get the best tips from an a student i ll break down my best tips and give some dental examples too if you want more info have any qu

epq over treatment in dentistry and the effects on society - Aug 18 2023

web oct 26 2020 research review 1 overtreatment word count 800 overtreatment is one aspect of dentistry that has caused ethical debate in the dental industry cosmetic dentistry in particularly is especially susceptible to this due to the increase inpopularity and necessity of aesthetic treatments

bruce l bowerman s scientific contributions researchgate - Apr 02 2022

web linear statistical models an applied approach article may 1991 bowerman and o connell 1990 furthermore cronbach alphas of both constructs are acceptable

linear statistical models an applied approach paperback - Sep 07 2022

web may 1 1990 linear statistical models an applied approach paperback may 1 1990 by bruce l bowerman author richard t o connell author 4 7 4 7 out of 5 stars 4

linear statistical models bruce l bowerman richard t - Mar 13 2023

web linear statistical models an applied approach bruce l bowerman richard t o 39 connell snippet view 1990

linear statistical models an applied approach bowerman - Jun 16 2023

web regression analysis linear models statistics publisher boston duxbury press collection inlibrary printdisabled internetarchivebooks contributor internet archive

linear statistical models an applied approach softcover - Dec 10 2022

web the focus of linear statistical models an applied approach second editon is on the conceptual concrete and applied aspects of model building data analysis and

linear statistical models an applied approach - Jan 31 2022

web linear statistical models an applied approach 2nd edn b l bowerman r t o connel 1990 boston ma pws kent publishing company xvi 1024 pp 18 95

linear statistical models an applied approach searchworks - Jul 05 2022

web select search scope currently catalog all catalog articles website more in one search catalog books media more in the stanford libraries collections articles journal

linear statistical models an applied approach bowerman - Jul 17 2023

web linear statistical models an applied approach bowerman bruce l free download borrow and streaming internet archive

linear statistical models an integrated approach - Dec 30 2021

linear statistical models an applied approach - Nov 28 2021

linear statistical models an applied approach taschenbuch - Mar 01 2022

web the focus of linear statistical models an applied approach second editon is on the conceptual concrete and applied aspects of model building data analysis and

linear statistical models an applied approach bowerman - Aug 06 2022

web part of the duxbury advanced series in statistics and decision sciences gives unified discussion of simple linear regression multiple regression and anova for advanced

linear statistical models an applied approach howel 1991 - Feb 12 2023

web linear statistical models an applied approach 2nd edn b l bowerman r t o connel 1990 boston ma pws kent publishing company xvi 1024 pp 18 95

linear statistical models an applied approach - Jan 11 2023

web mar 24 2000 bruce l bowerman linear statistical models an applied approach paperback march 24 2000 by bruce l bowerman author richard o connell

linear statistical models an applied approach google books - Sep 19 2023

web mar 24 2000 bruce l bowerman richard t o connell duxbury mar 24 2000 análisis de regresión 1024 pages the focus of linear statistical models an applied approach second editon is on the

linear statistical models an applied approach amazon com - Apr 14 2023

web mar 24 2000 the focus of linear statistical models an applied approach second editon is on the conceptual concrete and applied aspects of model building data

linear statistical models an applied approach journal of the - Jun 04 2022

web dec 5 2018 denise howel linear statistical models an applied approach journal of the royal statistical society series d the statistician volume 40 issue 3 1 septemb

linear statistical models an applied approach duxbury classic - Nov 09 2022

web linear statistical models an applied approach duxbury classic bowerman bruce o connell richard o connell richard t amazon com tr kitap

linear statistical models an applied approach google books - May 15 2023

web linear statistical models an applied approach duxbury advanced series in statistics and decision sciences duxbury classic

series international student edition authors

[linear statistical models an applied approach goodreads](#) - Oct 08 2022

web the focus of linear statistical models an applied approach second editon is on the conceptual concrete and applied aspects of model building data analysis and

linear statistical models an applied approach open library - May 03 2022

web linear statistical models an applied approach by bruce l bowerman duxbury resource center edition

[linear statistical models an applied approach google books](#) - Aug 18 2023

web bruce l bowerman richard t o connell duxbury press 1990 linear models statistics 1024 pages part of the duxbury advanced series in statistics and