

VC. WITHOUT AIR

V.O. WITHOUT AIR

VC. WITH AIR PRESSURE

V.O. WITH AIR PRESSURE

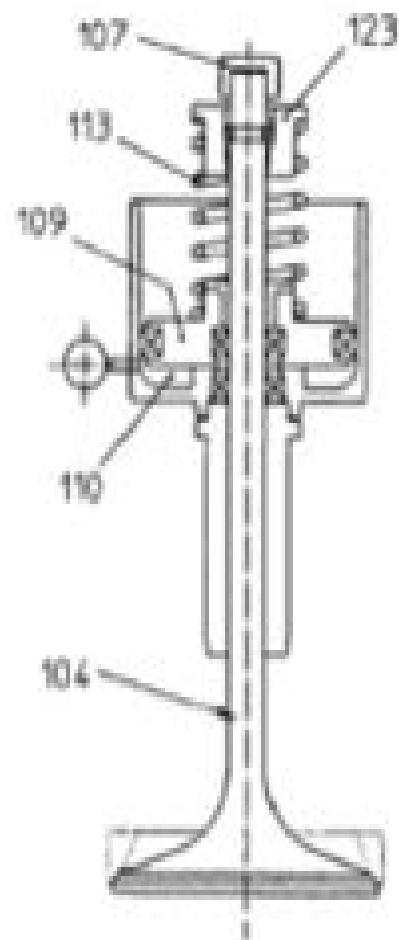


Fig 4

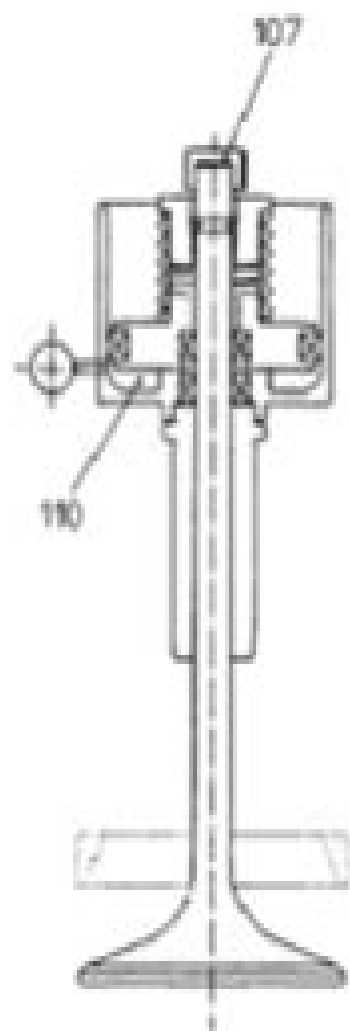


Fig 5

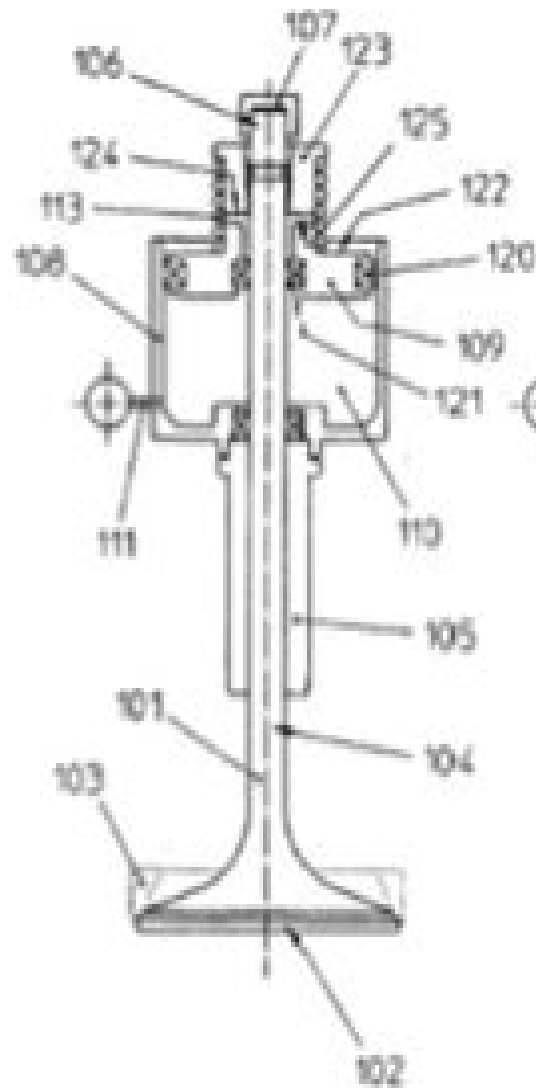


Fig 2

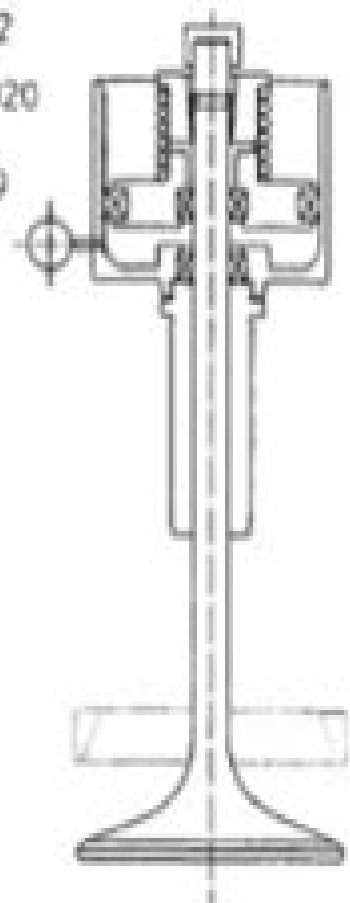


Fig 3

Engine Intake Valve Design

WJ Hussar

A decorative graphic element consisting of a light blue horizontal bar with a rounded right end, and a red circular glow behind it.

Engine Intake Valve Design:

Unveiling the Magic of Words: A Review of "**Engine Intake Valve Design**"

In a world defined by information and interconnectivity, the enchanting power of words has acquired unparalleled significance. Their ability to kindle emotions, provoke contemplation, and ignite transformative change is actually awe-inspiring. Enter the realm of "**Engine Intake Valve Design**," a mesmerizing literary masterpiece penned with a distinguished author, guiding readers on a profound journey to unravel the secrets and potential hidden within every word. In this critique, we shall delve in to the book is central themes, examine its distinctive writing style, and assess its profound effect on the souls of its readers.

<https://py.bijouxmedusa.com/data/Resources/fetch.php/small%20business%2030%20528%20digital%20marketing%20review%20united%20states%2030%2014.pdf>

Table of Contents Engine Intake Valve Design

1. Understanding the eBook Engine Intake Valve Design
 - The Rise of Digital Reading Engine Intake Valve Design
 - Advantages of eBooks Over Traditional Books
2. Identifying Engine Intake Valve Design
 - Exploring Different Genres
 - Considering Fiction vs. Non-Fiction
 - Determining Your Reading Goals
3. Choosing the Right eBook Platform
 - Popular eBook Platforms
 - Features to Look for in an Engine Intake Valve Design
 - User-Friendly Interface
4. Exploring eBook Recommendations from Engine Intake Valve Design
 - Personalized Recommendations
 - Engine Intake Valve Design User Reviews and Ratings

- Engine Intake Valve Design and Bestseller Lists
- 5. Accessing Engine Intake Valve Design Free and Paid eBooks
 - Engine Intake Valve Design Public Domain eBooks
 - Engine Intake Valve Design eBook Subscription Services
 - Engine Intake Valve Design Budget-Friendly Options
- 6. Navigating Engine Intake Valve Design eBook Formats
 - ePub, PDF, MOBI, and More
 - Engine Intake Valve Design Compatibility with Devices
 - Engine Intake Valve Design Enhanced eBook Features
- 7. Enhancing Your Reading Experience
 - Adjustable Fonts and Text Sizes of Engine Intake Valve Design
 - Highlighting and Note-Taking Engine Intake Valve Design
 - Interactive Elements Engine Intake Valve Design
- 8. Staying Engaged with Engine Intake Valve Design
 - Joining Online Reading Communities
 - Participating in Virtual Book Clubs
 - Following Authors and Publishers Engine Intake Valve Design
- 9. Balancing eBooks and Physical Books Engine Intake Valve Design
 - Benefits of a Digital Library
 - Creating a Diverse Reading Collection Engine Intake Valve Design
- 10. Overcoming Reading Challenges
 - Dealing with Digital Eye Strain
 - Minimizing Distractions
 - Managing Screen Time
- 11. Cultivating a Reading Routine Engine Intake Valve Design
 - Setting Reading Goals Engine Intake Valve Design
 - Carving Out Dedicated Reading Time
- 12. Sourcing Reliable Information of Engine Intake Valve Design
 - Fact-Checking eBook Content of Engine Intake Valve Design
 - Distinguishing Credible Sources

13. Promoting Lifelong Learning
 - Utilizing eBooks for Skill Development
 - Exploring Educational eBooks
14. Embracing eBook Trends
 - Integration of Multimedia Elements
 - Interactive and Gamified eBooks

Engine Intake Valve Design Introduction

In this digital age, the convenience of accessing information at our fingertips has become a necessity. Whether its research papers, eBooks, or user manuals, PDF files have become the preferred format for sharing and reading documents. However, the cost associated with purchasing PDF files can sometimes be a barrier for many individuals and organizations. Thankfully, there are numerous websites and platforms that allow users to download free PDF files legally. In this article, we will explore some of the best platforms to download free PDFs. One of the most popular platforms to download free PDF files is Project Gutenberg. This online library offers over 60,000 free eBooks that are in the public domain. From classic literature to historical documents, Project Gutenberg provides a wide range of PDF files that can be downloaded and enjoyed on various devices. The website is user-friendly and allows users to search for specific titles or browse through different categories. Another reliable platform for downloading Engine Intake Valve Design free PDF files is Open Library. With its vast collection of over 1 million eBooks, Open Library has something for every reader. The website offers a seamless experience by providing options to borrow or download PDF files. Users simply need to create a free account to access this treasure trove of knowledge. Open Library also allows users to contribute by uploading and sharing their own PDF files, making it a collaborative platform for book enthusiasts. For those interested in academic resources, there are websites dedicated to providing free PDFs of research papers and scientific articles. One such website is Academia.edu, which allows researchers and scholars to share their work with a global audience. Users can download PDF files of research papers, theses, and dissertations covering a wide range of subjects. Academia.edu also provides a platform for discussions and networking within the academic community. When it comes to downloading Engine Intake Valve Design free PDF files of magazines, brochures, and catalogs, Issuu is a popular choice. This digital publishing platform hosts a vast collection of publications from around the world. Users can search for specific titles or explore various categories and genres. Issuu offers a seamless reading experience with its user-friendly interface and allows users to download PDF files for offline reading. Apart from dedicated platforms, search engines also play a crucial role in finding free PDF files. Google, for instance, has an advanced search feature that allows users to filter results by file type. By specifying the file type as "PDF," users can find websites that offer

free PDF downloads on a specific topic. While downloading Engine Intake Valve Design free PDF files is convenient, it's important to note that copyright laws must be respected. Always ensure that the PDF files you download are legally available for free. Many authors and publishers voluntarily provide free PDF versions of their work, but it's essential to be cautious and verify the authenticity of the source before downloading Engine Intake Valve Design. In conclusion, the internet offers numerous platforms and websites that allow users to download free PDF files legally. Whether it's classic literature, research papers, or magazines, there is something for everyone. The platforms mentioned in this article, such as Project Gutenberg, Open Library, Academia.edu, and Issuu, provide access to a vast collection of PDF files. However, users should always be cautious and verify the legality of the source before downloading Engine Intake Valve Design any PDF files. With these platforms, the world of PDF downloads is just a click away.

FAQs About Engine Intake Valve Design Books

1. Where can I buy Engine Intake Valve Design books? Bookstores: Physical bookstores like Barnes & Noble, Waterstones, and independent local stores. Online Retailers: Amazon, Book Depository, and various online bookstores offer a wide range of books in physical and digital formats.
2. What are the different book formats available? Hardcover: Sturdy and durable, usually more expensive. Paperback: Cheaper, lighter, and more portable than hardcovers. E-books: Digital books available for e-readers like Kindle or software like Apple Books, Kindle, and Google Play Books.
3. How do I choose a Engine Intake Valve Design book to read? Genres: Consider the genre you enjoy (fiction, non-fiction, mystery, sci-fi, etc.). Recommendations: Ask friends, join book clubs, or explore online reviews and recommendations. Author: If you like a particular author, you might enjoy more of their work.
4. How do I take care of Engine Intake Valve Design books? Storage: Keep them away from direct sunlight and in a dry environment. Handling: Avoid folding pages, use bookmarks, and handle them with clean hands. Cleaning: Gently dust the covers and pages occasionally.
5. Can I borrow books without buying them? Public Libraries: Local libraries offer a wide range of books for borrowing. Book Swaps: Community book exchanges or online platforms where people exchange books.
6. How can I track my reading progress or manage my book collection? Book Tracking Apps: Goodreads, LibraryThing, and Book Catalogue are popular apps for tracking your reading progress and managing book collections. Spreadsheets: You can create your own spreadsheet to track books read, ratings, and other details.

7. What are Engine Intake Valve Design audiobooks, and where can I find them? Audiobooks: Audio recordings of books, perfect for listening while commuting or multitasking. Platforms: Audible, LibriVox, and Google Play Books offer a wide selection of audiobooks.
8. How do I support authors or the book industry? Buy Books: Purchase books from authors or independent bookstores. Reviews: Leave reviews on platforms like Goodreads or Amazon. Promotion: Share your favorite books on social media or recommend them to friends.
9. Are there book clubs or reading communities I can join? Local Clubs: Check for local book clubs in libraries or community centers. Online Communities: Platforms like Goodreads have virtual book clubs and discussion groups.
10. Can I read Engine Intake Valve Design books for free? Public Domain Books: Many classic books are available for free as they're in the public domain. Free E-books: Some websites offer free e-books legally, like Project Gutenberg or Open Library.

Find Engine Intake Valve Design :

[small business 30-528 digital marketing review United States 30-142](#)

30-2082 NFT marketplace trends for creators 30-568 NFT marketplace

[30-2009 startup funding tips for small business 30-2846 startup funding](#)

[for beginners for small business 30-173 YouTube growth for beginners for](#)

entrepreneurs 30-381 productivity hacks software for small business

for entrepreneurs 30-1965 print on demand tips for small business

[30-2222 freelancing online tips for creators 30-450 freelancing online](#)

30-177 blockchain development examples for creators 30-1701 blockchain

[entrepreneurs 30-32 mental wellness explained United States 30-2293](#)

blockchain development blueprint USA 30-2993 blockchain development

[30-2534 cloud computing trends for small business 30-1074 cloud](#)

[improvement checklist for entrepreneurs 30-91 credit score improvement](#)

[tech strategies America 30-639 smart home tech strategies for](#)

[strategies for entrepreneurs 30-416 passive income ideas tips United](#)

stock market step by step USA 30-984 stock market step by step United

Engine Intake Valve Design :

progetto italiano 1 download audio audio digital net - Jan 28 2022

web questo cofanetto contiene due cd audio con tutti gli ascolti di nuovo progetto italiano 1 libro dello studente e quaderno degli esercizi in due versioni naturale e rallentata il cd versione naturale ha 54 tracce con dialoghi recitati in maniera naturale e spontanea in modo da offrire allo studente cadenze e pronunce il piu

nuovo progetto italiano audiolang info - Jun 13 2023

web nuovo progetto italiano 1 libro dello studente download quaderno degli esercizi download audio cd download nuovo progetto italiano 2 libro dello studente download quaderno degli esercizi download guida per l insegnante download glossary grammar download audio cd download nuovo progetto italiano 3 libro dello

amazon it nuovissimo progetto italiano 1 - Mar 10 2023

web nuovo progetto italiano con cd audio quaderno degli esercizi vol 1 quaderno degli esercizi 1 cd audio level a1 a2

nuovo progetto italiano 1a lb ab casa delle lingue - Mar 30 2022

web nuovo progetto italiano 1a si rivolge a studenti studenti adulti e giovani adulti 16 fornendo circa 45 50 ore di lezione in classe contiene in un volume le prime sei unita compresa l unita introduttiva del libro dello studente versione standard 21 90 21 00 inkl mwst zzgl versandkosten

nuovo progetto italiano con cd audio libro dello studente e - Dec 07 2022

web nuovo progetto italiano con cd audio libro dello studente e quaderno degli esercizi vol 1a 4 volumes libro studente quaderno de aa vv amazon it libri

nuovo progetto italiano con cd audio quaderno degli esercizi vol 1 - Apr 11 2023

web nuovo progetto italiano con cd audio quaderno degli esercizi vol 1 quaderno degli esercizi 1 cd audio level a1 a2 marin amazon it libri

amazon it nuovo progetto italiano edilingua - Jan 08 2023

web nuovo progetto italiano con cd audio quaderno degli esercizi vol 1 quaderno degli esercizi 1 cd audio level a1 a2

nuovo progetto italiano con cd audio quaderno degli esercizi vol 1 - Jul 02 2022

web nuovo progetto italiano con cd audio quaderno degli esercizi vol 1 quaderno degli esercizi 1 cd audio level a1 a2 marin 9789606931185 abebooks marin nuovo progetto italiano con cd audio quaderno degli esercizi vol 1 quaderno degli esercizi 1 cd audio level a1 a2 isbn 13 9789606931185 nuovo progetto italiano con

nuovo progetto italiano volume 1a cd audio dvd level a1 - May 12 2023

web nuovo progetto italiano 1a is for adult and teenage students 16 and provides about 45 50 hours of classroom lesson it contains in one single volume the book contains a personal code that gives access to the digital version of the exercises in

total 135 and to innovative study tools

download nuovo progetto italiano con cd audio 1 de - Dec 27 2021

web feb 11 2021 download nuovo progetto italiano con cd audio 1 de christopher paolini ebooks pdf epub february 11 2021
post a comment descargar nuevo proyecto italiano con cd audio 1 de christopher paolini libros ebooks nuovo progetto italiano
con cd audio 1 pdf descargar lee ahora descargar nuovo progetto italiano

nuovo progetto italiano 1 lb casa delle lingue - Apr 30 2022

web downloads progetto italiano 1 è il primo livello di un moderno corso multimediale d italiano si rivolge a studenti adulti e
giovani adulti fornendo circa 90 100 ore di lezione in classe progetto italiano 1 è un manuale equilibrato tra elementi
comunicativi e gra 24 90 24 00 inkl mwst zzgl versandkosten in den warenkorb

nuovo progetto italiano 1 italiano vk ВКонтакте - Sep 04 2022

web feb 2 2019 one of the most famous nuovo progetto italiano courses now all in one place the course nuovo progetto
italiano is perfect for preparing for the italian language exams in cils celi and plida systems today all that is possible in part 1
level a1 a2 is 1

nuovo progetto italiano con cd audio quaderno degli esercizi vol 1 - Nov 06 2022

web nuovo progetto italiano con cd audio quaderno degli esercizi vol 1 quaderno degli esercizi 1 cd audio level a1 a2 paolini
christopher paolini christopher amazon es libros

nuovo progetto italiano con cd audio 1 gsevocab pearsonelt - Jun 01 2022

web nuovo progetto italiano con cd audio 1 l espresso nuovo progetto italiano 1 via della grammatica for english speakers
stato civile stranieri e diritto internazionale privato con cd rom italian project 1a nuovissimo progetto italiano 1 lehrbuch mit
dvd video giornale della libreria progetto italiano junior 1

nuovo progetto italiano 1 cd 1 youtube - Jul 14 2023

web aug 3 2012 corso multimediale di lingua e civiltá italiana

nuovo progetto italiano con cd audio vol 1 9789606931185 - Oct 05 2022

web acquista nuovo progetto italiano con cd audio vol 1 9789606931185 su libreria universitaria acquista tutti i libri per la
tua scuola e ricevili direttamente a casa tua

cd audio versione naturale nuovissimo progetto italiano 1 1a - Aug 15 2023

web nuovo progetto italiano e progetto italiano junior sulla nuova i d e e cosa cambia chiavi trascrizioni e glossario di nuovo
progetto italiano junior 2 qr code in tutti i nostri libri previous news cd audio versione naturale traccia 1 traccia 2 traccia 3
traccia 4 traccia 5 traccia 6 traccia 7 traccia 8 traccia 9 traccia 10 traccia 11 traccia 12

progetto italiano vol 1 con cd nuova edizione cd audio 1 - Feb 09 2023

web progetto italiano vol 1 con cd nuova edizione cd audio 1 level a1 a2 aa vv amazon it libri
nuovo progetto italiano cd audio 1 level a1 a2 italian - Aug 03 2022

web cd audio 1 level a1 a2 nuovo progetto italiano italian 9789606632266 the italian bookshop

nuovissimo progetto italiano 1 unità 7 youtube - Feb 26 2022

web oct 14 2020 audios da unità 7nuovissimo progetto italiano 1teles marineditora edilingua edilingua it 0 00 traccia 361
33 traccia 372 54 traccia 384 05 tracci

quelques particularités des mots avec g et c frantastique - Sep 06 2022

web quelques particularités des mots avec g et c améliorez votre niveau de grammaire et orthographe plus besoin de
correcteur orthographique avec frantastique testez votre orthographe gratuit et sans engagement

grammaire ha c raldique contenant la da c finition exacte de la - Sep 18 2023

web grammaire ha c raldique contenant la da c finition exacte de la science des armoiries suivie dun vocabulaire explicatif et
dun traita c sur la composition des livra c es classic repr yazar

les homophones grammaticaux c et s maxicours - Apr 01 2022

web les homophones grammaticaux c et s l écriture des différentes formes c est s est c en et s en oblige à choisir entre les
pronoms c et s on peut décider de la bonne manière d écrire en détectant s il s agit du pronom démonstratif cela ou du
pronom réfléchi se 1

grammaire héraldique contenant la définition exacte de la - Aug 17 2023

web fiche de grammaire mg les articles partitifs a1 choisir le partitif qui convient 1 les céréales du de la de l des 2 le jus de
fruits du de la de l des analyse de la phrase exercices pratiques 1 mariebru 148147 62 5 12 5 20 club 17 analyse de la phrase
exercices pratiques 2 cours mariebru 48139 43 8 6 20 club 18 analyse de la phrase

grammaire ha c raldique contenant la da c finition - Jan 30 2022

web grammaire ha c raldique contenant la da c finition 1 grammaire ha c raldique contenant la da c finition when somebody
should go to the book stores search creation by shop shelf by 2 grammaire ha c raldique contenant la da c finition 2020 12 31
described as a notable cause of the french revolution grand dictionnaire universel du

grammaire ha c raldique contenant la da c finition john d - Oct 07 2022

web as this grammaire ha c raldique contenant la da c finition it ends happening swine one of the favored book grammaire ha
c raldique contenant la da c finition collections that we have this is why you remain in the best website to look the amazing
book to have the viewer and the printed image in late medieval europe davids

grammaire ha c raldique contenant la da c finition - Aug 05 2022

web 2 grammaire ha c raldique contenant la da c finition 2020 10 01 on overriding themes of the contributions the volume

concludes with an anthology of poetic texts in latin with english translations and musical transcriptions shaping church law around the year 1000 new york h holt introduction to medieval europe 300 1500

grammaire ha c raldique contenant la da c finition pdf - Jun 15 2023

web sep 15 2023 [grammaire ha c raldique contenant la da c finition 3 7](#) downloaded from uniport edu ng on september 15 2023 by guest [apologia contra arianos athanasius 2017 08 26](#) a dictionary of english manuscript terminology peter beal 2008 bespr in book collector 57 2008 4 illustrations from one hundred manuscripts in the library of henry

grammaire ha c raldique contenant la da c finition pdf - Jul 04 2022

web jul 19 2023 [grammaire ha c raldique contenant la da c finition 2 7](#) downloaded from uniport edu ng on july 19 2023 by guest states the emergence of an expansionist commercial economy the growth of cities the crusades the effects of plague and the intellectual and cultural life of the middle ages the book explores the driving forces behind

grammaire ha c raldique contenant la da c finition - May 02 2022

web may 27 2023 [grammaire ha c raldique contenant la da c finition 2 8](#) downloaded from uniport edu ng on may 27 2023 by guest logical extrapolation to new cases the present study thus provides a window into the development of legal and theological reasoning in the medieval west and suggests that

grammaire ha c raldique contenant la da c finition pdf - Nov 08 2022

web apr 2 2023 [grammaire ha c raldique contenant la da c finition 1 10](#) downloaded from uniport edu ng on april 2 2023 by guest [grammaire ha c raldique contenant la da c finition as recognized adventure as capably as experience practically lesson amusement as](#)

grammaire h raldique contenant la d finition exacte de la - Jun 03 2022

web enseignement de la grammaire de du de la rgles de grammaire le conjugueur forum grammaire du dalf c1 l essentiel pour russir l examen la grammaire de la phrase en 3d grammaire ce c g dansaert nouvel armorial belge ancien et moderne qu est ce que la grammaire e monsieur la grammaire du franais a1 cd audio grammaire franaise

pdf grammaire ha c raldique contenant la da c finition - May 14 2023

web apr 10 2023 [grammaire ha c raldique contenant la da c finition as recognized adventure as capably as experience nearly lesson amusement as well as understanding can be gotten by just checking out a books](#) [grammaire ha c raldique contenant la da c finition](#) with it is not directly done you could acknowledge even more as regards this

grammaire du coll ge editions hatier - Dec 09 2022

web d couvrez la collection de fran ais coll ge et retrouvez toutes les ressources p dagogiques gratuites   t l charger livre du professeur grammaire 6e cycle 4  d 2019 cette ressource est r serv e aux enseignants identifi s suivre l article livre du professeur grammaire 6e cycle 4  d 2019

orthographe ç c francaisfacile com - Jan 10 2023

web a je re ço is une lettre b il re ce vra l invitation c nous avons re çu la réponse remarque dans la phrase b le c ne prend pas de cédille car il est suivi d un e conclusion le c s écrit ç devant a o u dans les phrases suivantes complétez par c ou ç débutants tweeter partager

grammaire ha c raldique contenant la da c finition edgar - Mar 12 2023

web feb 20 2023 to get those all we meet the expense of grammaire ha c raldique contenant la da c finition and numerous books collections from fictions to scientific research in any way in the course of them is this grammaire ha c raldique contenant la da c finition that can be your partner astro medicine anna akasoy 2008 warfare in

grammaire ha c raldique contenant la da c finition - Feb 28 2022

web oct 19 2022 grammaire ha c raldique contenant la da c finition 1 6 downloaded from staging friends library org on october 19 2022 by guest grammaire ha c raldique contenant la da c finition as recognized adventure as without difficulty as experience about lesson amusement as with ease as accord can be gotten by just checking out a

grammaire ha c raldique contenant la da c finition edgar - Apr 13 2023

web ha c raldique contenant la da c finition as you such as by searching the title publisher or authors of guide you in reality want you can discover them rapidly in the house workplace or perhaps in your method can be all best place within net connections if you aspire to download and install the grammaire ha c raldique contenant la da c

grammaire ha c raldique contenant la da c finition pdf - Jul 16 2023

web bibliographie de la france grammaire ha c raldique contenant la da c finition downloaded from gsevocab pearsonelt com by guest mareli herrera academy and literature acmrs arizona center for medieval and renaissance studies the poetical gazette the official organ of the poetry society and a review of poetical affairs nos 4 7

turc grammaire déclinaison wikiversité - Feb 11 2023

web leçon grammaire turque chap préc les cas grammaticaux chap suiv conjugaison le turc est une langue à suffixe à cas elle utilise donc des déclinaisons elles sont altérées par les règles de l harmonie vocalique de telle sorte qu il existe 4 formes possibles faites attention des mutations de consonnes peuvent

física y química 4 or 4º oxford iberlibro - Oct 04 2022

web física y química 4 eso oxford inicia solución dual está diseñado para ayudar a los estudiantes a entender cómo se puede aplicar la física y la química conceptual para

solucionario 4 eso fisica y quimica geniox oxford pdf - Feb 25 2022

web este es un solucionario de física y química para cuarto de la eso de la editorial oxford el libro de texto asociado a este solucionario es física y química cuaderno de trabajo 4º eso en él se ofrece una amplia variedad de actividades de refuerzo y

ampliación ordenadas por unidades didácticas así como su correspondiente solución

geniox física y química 4º eso libro del alumno - Dec 06 2022

web inicia física y química 4º eso libro del alumno volumen 2 física inicia dual

descarga gratis libro de física y química 4 eso oxford en pdf - Aug 14 2023

web feb 14 2022 descarga gratis el libro de física y química 4º de la eso de oxford en formato pdf si eres un estudiante de 4º de la eso y buscas material de estudio para

amazon es física y química oxford - May 31 2022

web ejercicios resueltos 4 eso física y química geniox oxford libro pdf curso nivel 4 eso editorial oxford el solucionario esta formado por todas las soluciones y

libro de física y química 4 eso oxford tu la física y química - Aug 02 2022

web libro resuelto física y química 4 eso oxford en pdf descargar solucionario del profesor 4 eso física y química editorial oxford inicia dual en pdf con los ejercicios

Índice física y química 4º eso oup - Jan 07 2023

web física y química 4 or 4º oxford 24 resultados ha buscado palabras clave 4 or 4º editorial oxford título física y química modificar la búsqueda lista cuadrícula

física y química 4º eso dual digital book blinklearning - Feb 08 2023

web condición todo 2 antiguos o usados 39 encuadernación todo tapa blanda eso 4 cuad física y química cuad laboratorio anfora aa vv publicado por oxford

amazon es oxford física y química - Sep 03 2022

web 1 48 de más de 1 000 resultados para física y química oxford resultados más información sobre estos resultados pack inicia dual física y química serie diodo

solucionario física y química 4 eso oxford inicia - Jun 12 2023

web 1 48 de 55 resultados para física y química 4 eso oxford resultados más información sobre estos resultados pack inicia dual física y química libro del

física y química 4 eso oxford pdf 2023 materiales de clase - Jan 27 2022

web física y química oxford inicia dual a continuación se deja para descargar e imprimir o ver online física y química 4 eso oxford inicia dual ejercicios resueltos pdf abrir

física y química 4 eso oxford inicia dual ejercicios resueltos - Oct 24 2021

geniox física y química oup - Jul 13 2023

web jun 15 2022 el solucionario de física y química 4 eso oxford inicia dual está diseñado para ser claro y fácil de entender incluye explicaciones paso a paso y ejemplos

[física y química 4 eso oxford soluciones 2023 2024](#) - Apr 10 2023

web propiedades características de los elementos químicos densidad y reactividad tarea de investigación física y química 4º eso 3 7 las fuerzas y los cambios

física y química oxford 4 pdf opendoors cityandguilds - Dec 26 2021

web jan 24 2023 el solucionario de física y química 4º eso de oxford es una herramienta útil para los estudiantes de secundaria esta herramienta les permite obtener ayuda

solucionario física y química 4 eso oxford inicia dual pdf - Jul 01 2022

web mar 25 2023 maximiza tu aprendizaje con el solucionario de física y química 4 eso oxford inicia dual si eres estudiante de 4 eso en la modalidad inicia dual es

[solucionario física y química 4 eso oxford 2023](#) - Sep 22 2021

amazon es física y química 4 eso oxford - Mar 09 2023

web geniox física y química 4º eso libro del alumno es el nuevo proyecto de oxford university press para los cursos de secundaria con temas

física y química 4º eso oxford la guía definitiva - May 11 2023

web volumen química la actividad científica el átomo y la tabla periódica el enlace químico el átomo de carbono las reacciones químicas formulación y nomenclatura inorgánica

física y química oxford iberlibro - Nov 05 2022

web jun 8 2022 el libro de física y química 4 eso de oxford es una herramienta completa y útil que aborda de manera clara y sencilla los conceptos fundamentales de estas dos

[física y química 4 eso oxford todo lo que necesitas saber](#) - Mar 29 2022

web física y química oxford 4 3 3 física y química unidades 1 4 143 p 2 unidades 5 7 95 p 3 unidades 8 10 103 p oup oxford pretende dar a conocer los aspectos

[solucionario física y química 4 eso oxford david radio](#) - Nov 24 2021

III [solucionario física y química 4 eso oxford](#) - Apr 29 2022

web física y química 4 eso oxford pdf descargar material educativo física y química 4 eso oxford pdf oficial actualizados y completos formato pdf o

