

These test procedures shall be complied to, without exception, annually.

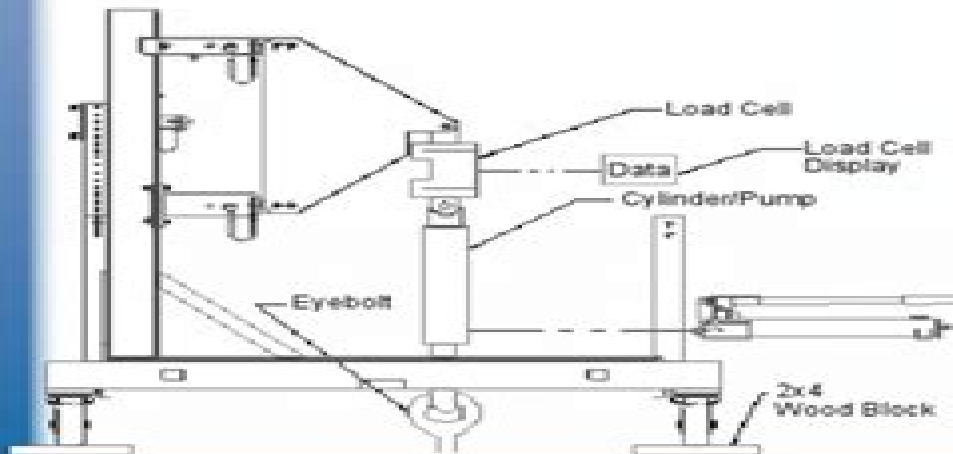
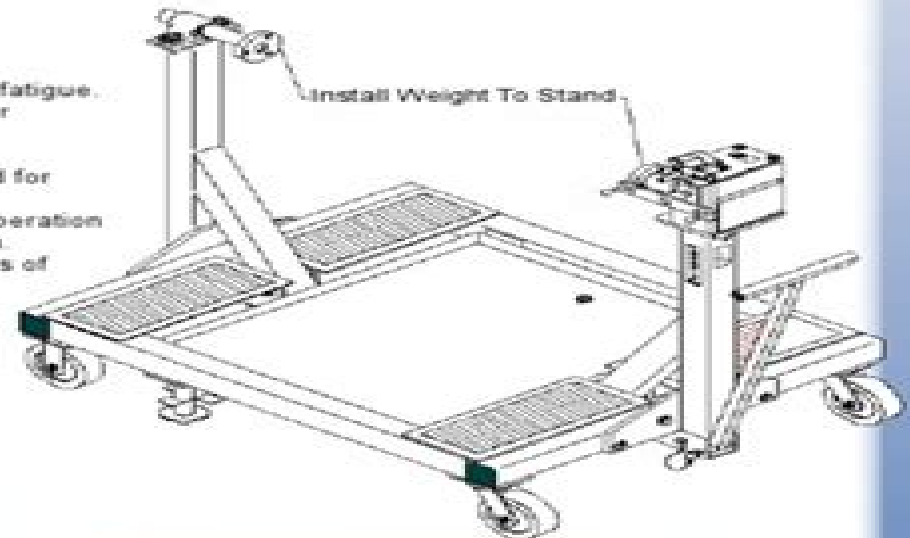
Model Number _____ Serial Number _____

Tested By _____ Date _____

Inspected By _____ Date _____

ROTATING ENGINE STANDS

1. Overall visually inspect stand for any signs of wear and fatigue.
2. Lubricate spindles and gear box as referenced in vendor literature if equipped.
3. Inspect anti-rotation locking mechanism if equipped.
4. Install weight equal to engine weight to the engine stand for approximately 2 min.
5. Rotate weight set 360° in both directions if equipped. Operation should be free of binding and/or catching during rotation.
6. Dismantle fixture and visually inspect stand for any signs of wear or failure. Any item, which does not successfully pass the test, is to be rejected and discarded or returned to Tronair for evaluation.



08-2030-0000 AND 08-2034-0000

1. Install engine stand test fixture.
2. Position beam assembly in the center of the engine stand.
3. Tighten beam locks evenly, until the beam assembly is locked in place.
4. Position engine stand over eye hook in floor. Line eye hook directly under pull point of the test fixture.
5. Install 2 x 4 inch block under wheels and lock stand in place.
6. Attach load cell, pull cylinder to eyebolt.
7. Put engine stand through two cycles of loading the engine stand to 3,000 pounds (2,667 psi on gauge). Hold for 30 seconds then release load.
8. Inspect all welds and joints for signs of distortion; if no defects are found, the engine stand is good.
9. If defects are found discard or return to Tronair for evaluation.

Engine Stand Test Procedures Tronair

B Lingard



Engine Stand Test Procedures Tronair:

Jane's Airport Equipment , Thomas Register of American Manufacturers and Thomas Register Catalog File ,1997 Vols for 1970 71 includes manufacturers catalogs **World Aviation Directory** ,1997 Thomas Register ,2004 Thomas Register of American Manufacturers ,2002 This basic source for identification of U S manufacturers is arranged by product in a large multi volume set Includes Products services Company profiles and Catalog file

This is likewise one of the factors by obtaining the soft documents of this **Engine Stand Test Procedures Tronair** by online. You might not require more grow old to spend to go to the books opening as capably as search for them. In some cases, you likewise get not discover the publication Engine Stand Test Procedures Tronair that you are looking for. It will unquestionably squander the time.

However below, in imitation of you visit this web page, it will be appropriately no question simple to get as skillfully as download guide Engine Stand Test Procedures Tronair

It will not put up with many mature as we accustom before. You can attain it even though act out something else at home and even in your workplace. suitably easy! So, are you question? Just exercise just what we find the money for under as skillfully as evaluation **Engine Stand Test Procedures Tronair** what you bearing in mind to read!

<https://py.bijouxmedusa.com/public/Resources/HomePages/Cummins%20Performance%20Engines.pdf>

Table of Contents Engine Stand Test Procedures Tronair

1. Understanding the eBook Engine Stand Test Procedures Tronair
 - The Rise of Digital Reading Engine Stand Test Procedures Tronair
 - Advantages of eBooks Over Traditional Books
2. Identifying Engine Stand Test Procedures Tronair
 - Exploring Different Genres
 - Considering Fiction vs. Non-Fiction
 - Determining Your Reading Goals
3. Choosing the Right eBook Platform
 - Popular eBook Platforms
 - Features to Look for in an Engine Stand Test Procedures Tronair
 - User-Friendly Interface
4. Exploring eBook Recommendations from Engine Stand Test Procedures Tronair

- Personalized Recommendations
 - Engine Stand Test Procedures Tronair User Reviews and Ratings
 - Engine Stand Test Procedures Tronair and Bestseller Lists
5. Accessing Engine Stand Test Procedures Tronair Free and Paid eBooks
 - Engine Stand Test Procedures Tronair Public Domain eBooks
 - Engine Stand Test Procedures Tronair eBook Subscription Services
 - Engine Stand Test Procedures Tronair Budget-Friendly Options
 6. Navigating Engine Stand Test Procedures Tronair eBook Formats
 - ePub, PDF, MOBI, and More
 - Engine Stand Test Procedures Tronair Compatibility with Devices
 - Engine Stand Test Procedures Tronair Enhanced eBook Features
 7. Enhancing Your Reading Experience
 - Adjustable Fonts and Text Sizes of Engine Stand Test Procedures Tronair
 - Highlighting and Note-Taking Engine Stand Test Procedures Tronair
 - Interactive Elements Engine Stand Test Procedures Tronair
 8. Staying Engaged with Engine Stand Test Procedures Tronair
 - Joining Online Reading Communities
 - Participating in Virtual Book Clubs
 - Following Authors and Publishers Engine Stand Test Procedures Tronair
 9. Balancing eBooks and Physical Books Engine Stand Test Procedures Tronair
 - Benefits of a Digital Library
 - Creating a Diverse Reading Collection Engine Stand Test Procedures Tronair
 10. Overcoming Reading Challenges
 - Dealing with Digital Eye Strain
 - Minimizing Distractions
 - Managing Screen Time
 11. Cultivating a Reading Routine Engine Stand Test Procedures Tronair
 - Setting Reading Goals Engine Stand Test Procedures Tronair
 - Carving Out Dedicated Reading Time
 12. Sourcing Reliable Information of Engine Stand Test Procedures Tronair

- Fact-Checking eBook Content of Engine Stand Test Procedures Tronair
 - Distinguishing Credible Sources
13. Promoting Lifelong Learning
- Utilizing eBooks for Skill Development
 - Exploring Educational eBooks
14. Embracing eBook Trends
- Integration of Multimedia Elements
 - Interactive and Gamified eBooks

Engine Stand Test Procedures Tronair Introduction

Engine Stand Test Procedures Tronair Offers over 60,000 free eBooks, including many classics that are in the public domain. Open Library: Provides access to over 1 million free eBooks, including classic literature and contemporary works. Engine Stand Test Procedures Tronair Offers a vast collection of books, some of which are available for free as PDF downloads, particularly older books in the public domain. Engine Stand Test Procedures Tronair : This website hosts a vast collection of scientific articles, books, and textbooks. While it operates in a legal gray area due to copyright issues, its a popular resource for finding various publications. Internet Archive for Engine Stand Test Procedures Tronair : Has an extensive collection of digital content, including books, articles, videos, and more. It has a massive library of free downloadable books. Free-eBooks Engine Stand Test Procedures Tronair Offers a diverse range of free eBooks across various genres. Engine Stand Test Procedures Tronair Focuses mainly on educational books, textbooks, and business books. It offers free PDF downloads for educational purposes. Engine Stand Test Procedures Tronair Provides a large selection of free eBooks in different genres, which are available for download in various formats, including PDF. Finding specific Engine Stand Test Procedures Tronair, especially related to Engine Stand Test Procedures Tronair, might be challenging as theyre often artistic creations rather than practical blueprints. However, you can explore the following steps to search for or create your own Online Searches: Look for websites, forums, or blogs dedicated to Engine Stand Test Procedures Tronair, Sometimes enthusiasts share their designs or concepts in PDF format. Books and Magazines Some Engine Stand Test Procedures Tronair books or magazines might include. Look for these in online stores or libraries. Remember that while Engine Stand Test Procedures Tronair, sharing copyrighted material without permission is not legal. Always ensure youre either creating your own or obtaining them from legitimate sources that allow sharing and downloading. Library Check if your local library offers eBook lending services. Many libraries have digital catalogs where you can borrow Engine Stand Test Procedures Tronair eBooks for free, including popular titles. Online Retailers: Websites like Amazon, Google Books, or Apple Books often sell eBooks. Sometimes,

authors or publishers offer promotions or free periods for certain books. Authors Website Occasionally, authors provide excerpts or short stories for free on their websites. While this might not be the Engine Stand Test Procedures Tronair full book, it can give you a taste of the authors writing style. Subscription Services Platforms like Kindle Unlimited or Scribd offer subscription-based access to a wide range of Engine Stand Test Procedures Tronair eBooks, including some popular titles.

FAQs About Engine Stand Test Procedures Tronair Books

How do I know which eBook platform is the best for me? Finding the best eBook platform depends on your reading preferences and device compatibility. Research different platforms, read user reviews, and explore their features before making a choice. Are free eBooks of good quality? Yes, many reputable platforms offer high-quality free eBooks, including classics and public domain works. However, make sure to verify the source to ensure the eBook credibility. Can I read eBooks without an eReader? Absolutely! Most eBook platforms offer webbased readers or mobile apps that allow you to read eBooks on your computer, tablet, or smartphone. How do I avoid digital eye strain while reading eBooks? To prevent digital eye strain, take regular breaks, adjust the font size and background color, and ensure proper lighting while reading eBooks. What the advantage of interactive eBooks? Interactive eBooks incorporate multimedia elements, quizzes, and activities, enhancing the reader engagement and providing a more immersive learning experience. Engine Stand Test Procedures Tronair is one of the best book in our library for free trial. We provide copy of Engine Stand Test Procedures Tronair in digital format, so the resources that you find are reliable. There are also many Ebooks of related with Engine Stand Test Procedures Tronair. Where to download Engine Stand Test Procedures Tronair online for free? Are you looking for Engine Stand Test Procedures Tronair PDF? This is definitely going to save you time and cash in something you should think about. If you trying to find then search around for online. Without a doubt there are numerous these available and many of them have the freedom. However without doubt you receive whatever you purchase. An alternate way to get ideas is always to check another Engine Stand Test Procedures Tronair. This method for see exactly what may be included and adopt these ideas to your book. This site will almost certainly help you save time and effort, money and stress. If you are looking for free books then you really should consider finding to assist you try this. Several of Engine Stand Test Procedures Tronair are for sale to free while some are payable. If you arent sure if the books you would like to download works with for usage along with your computer, it is possible to download free trials. The free guides make it easy for someone to free access online library for download books to your device. You can get free download on free trial for lots of books categories. Our library is the biggest of these that have literally hundreds of thousands of different products categories represented. You will also see that there are specific sites catered to different product types or categories, brands or niches related with Engine Stand Test

Procedures Tronair. So depending on what exactly you are searching, you will be able to choose e books to suit your own need. Need to access completely for Campbell Biology Seventh Edition book? Access Ebook without any digging. And by having access to our ebook online or by storing it on your computer, you have convenient answers with Engine Stand Test Procedures Tronair To get started finding Engine Stand Test Procedures Tronair, you are right to find our website which has a comprehensive collection of books online. Our library is the biggest of these that have literally hundreds of thousands of different products represented. You will also see that there are specific sites catered to different categories or niches related with Engine Stand Test Procedures Tronair So depending on what exactly you are searching, you will be able to choose ebook to suit your own need. Thank you for reading Engine Stand Test Procedures Tronair. Maybe you have knowledge that, people have search numerous times for their favorite readings like this Engine Stand Test Procedures Tronair, but end up in harmful downloads. Rather than reading a good book with a cup of coffee in the afternoon, instead they juggled with some harmful bugs inside their laptop. Engine Stand Test Procedures Tronair is available in our book collection an online access to it is set as public so you can download it instantly. Our digital library spans in multiple locations, allowing you to get the most less latency time to download any of our books like this one. Merely said, Engine Stand Test Procedures Tronair is universally compatible with any devices to read.

Find Engine Stand Test Procedures Tronair :

[cummins performance engines](#)

contrastive analysis carl james 1980 dixsie

cost estimating for pipelines and marine structures new printing 1999 estimators man hour library

cowboy casanova rough riders 12 lorelei james

corso chitarra flamenco

~~cost accounting chapter 3 homework solutions~~

cuckold guide and lessons

[crime in the art and antiquities world illegal trafficking in cultural property](#)

crow blue

correlation and regression analysis spss piratepanel

corrige declic 1ere es

cuando el cielo se viste de negro spanish edition

cruel death by m william phelps sugoipilates

~~contrato lo que esperas de mi~~

crafting and executing strategy concepts cases 19th edition

Engine Stand Test Procedures Tronair :

insight map dallas fort worth fleximap insight fle - Aug 03 2022

web rediscover the simple pleasures of a day trip with day trips from dallas fort worth this guide is packed with hundreds of exciting things for locals and vacationers to do see

[insight map dallas fort worth fleximap insight fle copy ftp](#) - Sep 23 2021

insight map dallas fort worth fleximap insight fle download - Jul 14 2023

web discover what sets dfw apart with moon dallas fort worth inside you ll find flexible itineraries from a weekend in dallas to a longer trip exploring the region the top sights

insight map dallas fort worth fleximap insight fle pdf - Apr 30 2022

web april 28th 2020 dallas ft worth tx insight fleximap american map corporation on free shipping on qualifying offers dallas ft worth tx insight fleximap url blm bz 3g6 ebook url

[insight map dallas fort worth fleximap insight fle pdf](#) - Oct 05 2022

web all we find the money for insight map dallas fort worth fleximap insight fle and numerous book collections from fictions to scientific research in any way in the course of them is this insight map dallas fort worth fleximap insight fle that can be your partner insight map dallas fort worth fleximap insight fle downloaded from

insight map dallas fort worth fleximap insight fle pdf - Feb 09 2023

web dallas fort worth insight fleximap features detailed city street and road maps clearly marked with all the sites and services of particular interest to travelers

[insight map dallas fort worth fleximap insight fleximaps by](#) - Dec 07 2022

web insight map dallas fort worth fleximap insight fleximaps by american map corporation may 20th 2020 wegenkaart landkaart stadsplattegrond fleximap orlando walt disney

insight map dallas fort worth fleximap insight fle full pdf sql1 - Mar 10 2023

web 4 insight map dallas fort worth fleximap insight fle 2023 01 09 development of local food systems in old industrial regions the pacific northwest oxford university press

insight map dallas fort worth fleximap insight fleximaps by - Dec 27 2021

web insight map dallas fort worth fleximap insight fle is available in our book collection an online access to it is set as public so you can get it instantly our digital library spans in multiple countries allowing you to get the most less

insight map dallas fort worth fleximap insight fle pdf free - Jan 28 2022

web may 5th 2020 insight map london fleximap insight map series rand mcnally 2006 dallas and fort worth texas street guide rand mcnally streetfinder 2005 6 27 rand mcnally and

[insight map dallas fort worth fleximap insight fle wef tamu](#) - Nov 06 2022

web you have remained in right site to start getting this info get the insight map dallas fort worth fleximap insight fle partner that we have enough money here and check out the link you could purchase lead insight map dallas fort worth fleximap insight fle or acquire it as soon as feasible you could quickly download this insight map dallas

[insight map dallas fort worth fleximap insight fle pdf](#) - Feb 26 2022

web this is the deluxe version of the 1 bible atlas it includes twice as many pages as the original version plus a cd rom of all the maps the best selling deluxe then and now bible map book brings new relevance to your studies and teaching and compares bible locations with modern day sites

insight map dallas fort worth fleximap insight fleximaps by - Jan 08 2023

web jun 13 2023 book collections insight map dallas fort worth fleximap insight fleximaps by american map corporation that we will definitely offer staging butterfield com 1 4

insight map dallas fort worth fleximap insight fleximaps by - Oct 25 2021

web dallas fort worth insight map dallas fort worth fleximap insight fle downloaded from ftp williamcurley co uk by guest pope andrew las vegas the desert rowman littlefield las vegas hoover dam grand canyon death valleythis book provides everything you ll ever need in a guidebook

insight map dallas fort worth fleximap insight fle 2022 - Jun 13 2023

web insight guides holland american map from presidential to congressional state and local tickets this book explains the 2020 elections through more than 100 full color maps that

insight map dallas fort worth fleximap insight fle copy - Jun 01 2022

web insight 2003 02 15 insight guides the world s largest visual travel guide series in association with discovery channel the world s premier source of nonfiction entertainment provides more insight than ever from the most popular resort cities to the most exotic villages insight guides capture the unique character of each culture with an

insight map dallas fort worth fleximap insight fle pdf 2023 - Apr 11 2023

web title insight map dallas fort worth fleximap insight fle pdf 2023 status restek wwu edu created date 9 15 2023 8 46 22 am

insight map dallas fort worth fleximap insight fleximaps by - Mar 30 2022

web merely said the insight map dallas fort worth fleximap insight fle is universally compatible taking into consideration any

devices to read insight map dallas fort

insight map dallas fort worth fleximap insight file dallas lin 14 - Jul 02 2022

web regional vernacular with moon dallas fort worth s practical tips myriad activities and expert advice on the best things to do and see you can plan your trip your way

dallas fort worth insight fleximap insight fleximaps map - May 12 2023

web jan 1 2006 dallas fort worth insight fleximap insight fleximaps american map corporation on amazon com free shipping on qualifying offers dallas fort worth

insight map dallas fort worth fleximap insight file - Nov 25 2021

web dallas ft worth tx insight fleximap american map april 28th 2020 dallas ft worth tx insight fleximap american map corporation on free shipping on qualifying offers dallas

dallas fort worth map tour texas - Sep 04 2022

web 2 insight map dallas fort worth fleximap insight file 2020 04 19 that account for living spaces persistent patterns of segregation and group inequalities and the complex geographies that

insight map dallas fort worth fleximap insight file pdf - Aug 15 2023

web insight map dallas fort worth 1 11 500 fleximap plus travel information multicultural geographies rand mcnally dallas ft worth vicinity streetfinder an empirical and

error control coding fundamentals and applications amazon co uk lin - Nov 07 2022

web jul 9 2004 three major new topics in the theory and application of coding are highlighted in this second edition trellis and block coded modulation to achieve bandwidth efficiency practical soft decision decoding methods for block codes soft input soft output iterative decoding techniques for block and convolutional codes

error control coding lin shu google books - Apr 12 2023

web error control coding lin shu pearson india 2011 error correcting codes information theory 1260 pages

solution manual error control coding 2nd by lin shu and - Dec 28 2021

web solution manual error control coding 2nd by lin shu and costello free download as pdf file pdf text file txt or read online for free scribd is the world s largest social reading and publishing site

error control coding lin shu costello daniel 9780130426727 - Aug 16 2023

web may 28 2004 this popular textbook on error control coding has been thoroughly revised and updated to include all the important new developments in the field over the past 20 years three major new topics in the theory and application of coding are highlighted in this second edition trellis and block coded modulation to achieve bandwidth efficiency

errata list for error control coding by lin and costello - Jan 29 2022

web jan 11 2011 abstract this document lists some errors found in the second edition of error control coding by shu lin and daniel j costello jr subjects information theory cs it

error control coding fundamentals and applications lin shu - May 01 2022

web nov 18 2022 physical items are owned or controlled by and digitized by internet archive origin organization internet archive page progression lr page number confidence 94 94 pages 634 pdf module version 0 0 20 ppi 360 rcs key 24143 republisher date 20221117233453 republisher operator associate daisy oaper archive org

error control coding fundamentals and applications - Sep 05 2022

web error control coding fundamentals and applications responsibility shu lin daniel j costello jr imprint englewood cliffs n j prentice hall c1983 physical description xvi 603 p ill 25 cm series computer applications in electrical engineering series

error control coding fundamentals and applications shu lin - Oct 06 2022

web prentice hall 1983 digital communications 603 pages completely updated to cover latest developments this text provides a bridge between introductory courses in digital communications and

error control coding s lin and d j costello 2004 book review - Mar 11 2023

web apr 4 2005 this book provides an encyclopedic treatment of the evolution of error coding over the past several decades it focuses in a consistent manner on those aspects error

error control coding fundamentals and applications shu lin - May 13 2023

web shu lin daniel j costello pearson prentice hall 2004 error correcting codes information theory 1260 pages 028m a reorganized and comprehensive major revision of a classic book

error control coding fundamentals and applications shu lin - Jun 14 2023

web error control coding fundamentals and applications shu lin daniel j costello pearson prentice hall 2004 digital communications 1260 pages for a first course on coding theory at the

error control coding fundamentals and applications by shu lin - Jun 02 2022

web error control coding fundamentals and applications by shu lin and daniel j costello jr prentice hall international heme1 hempstead herts u k 1982 no of pages 720 price 243 20 the authors of this book declare that their aim is to aid the practising engineer by presenting the material in such

error control coding fundamentals and applications by shu lin - Aug 04 2022

web error control coding fundamentals and applications by shu lin and daniel j costello jr prentice hall international hemel hempstead herts u k 1982 no of pages 720

cambridge university press shu lin juane li more information - Jul 15 2023

web names lin shu 1937Ð author li juane author title fundamentals of classical and modern error correcting codes shu lin

university of california davis juane li micron technology san jose description cambridge united kingdom new york ny usa
cambridge university press 2021 includes bibliographical references and index

wordpress com - Mar 31 2022

web wordpress com

error control coding by shu lin goodreads - Jan 09 2023

web may 1 2004 a reorganized and comprehensive major revision of a classic book this edition provides a bridge between
introductory digital communications and more advanced treatment of information theory completely updated to cover the
latest developments it presents state of the art error control techniques

error control coding fundamentals and applications - Feb 10 2023

web error control coding fundamentals and applications responsibility shu lin daniel j costello edition 2nd ed imprint upper
saddle river n j pearson prentice hall 2004 physical description xii 1260 pages illustrations 24 cm

pandora error control coding 2e pie shu lin kitap isbn - Dec 08 2022

web error control coding 2e pie shu lin yayınevi prentice hall yayın tarihi 01 2004 isbn 9780130179739 yazar daniel costello
İngilizce 1272 sayfa 178 mm x 235 mm tür elektrik elektronik

shu lin author of error control coding goodreads - Jul 03 2022

web 1 of 5 stars 2 of 5 stars 3 of 5 stars 4 of 5 stars 5 of 5 stars error control coding prentice hall computer applications in
electrical engineering series by shu lin daniel j costello 3 78 avg rating 9 ratings published 1982 2 editions want to read

error control coding second edition guide books acm - Feb 27 2022

web apr 1 2004 li j liu k lin s and abdel ghaffar k construction of partial geometries and ldpc codes based on reed solomon
codes 2019 ieee international symposium on information theory isit 61 65 yue c shirvanimoghaddam m li y and vucetic b
hamming distance distribution of the 0 reprocessing estimate of the ordered statistic

the shame of american legal education 1st edition vitalsource - Aug 02 2022

web the shame of american legal education 1st edition is written by alan watson and published by vandeplas publishing the
digital and etextbook isbns for the shame of

the shame of american legal education open library - Mar 09 2023

web the shame of american legal education by alan watson 2006 vandeplas pub edition in english

the shame of american legal education vandeplas - May 31 2022

web the acceptable reviews are edited by students who have no expertise and articles are almost always bloated with any
insight concealed the articles though play almost no

the shame of american legal education 2nd edition - Apr 10 2023

web the shame of american legal education lake mary fl vandeplas pub isbn 1600420044 table of contents introduction to law for second year law students why

the shame of american legal education paperback amazon com - Feb 25 2022

web jan 1 2005 the shame of american legal education votson alan on amazon com free shipping on qualifying offers the shame of american legal education

the shame of american legal education google books - Oct 04 2022

web the title tells it all american legal education is shamefully bad casebooks are endemic especially in the first year teaching by terror abridged cases are presented shorn of

the shame of american legal education by alan watson - Jul 13 2023

web sep 28 2011 description critique of the state of education in u s law schools and of the law review system

[the shame of american legal education amazon com au](#) - Jan 27 2022

web select the department you want to search in

[amazon com customer reviews the shame of american legal](#) - Apr 29 2022

web find helpful customer reviews and review ratings for the shame of american legal education at amazon com read honest and unbiased product reviews from our users

the shame of american legal education alan watson - Oct 24 2021

web the shame of american legal education alan watson the troublesome presence american democracy and the negro eli ginzberg hitman anders and the meaning of

[school district agrees to pay 27 million to family of 13 year](#) - May 19 2021

web 18 hours ago courtesy taylor ring cnn a california school district agreed to pay 27 million to the legal guardians of a 13 year old boy who was fatally beaten at school

[9781600420047 the shame of american legal education](#) - Jul 01 2022

web abebooks com the shame of american legal education 9781600420047 by alan watson and a great selection of similar new used and collectible books available now

shame by annie ernaux review the shocking incident that - Aug 22 2021

web sep 12 2023 the nobel winner s short memoir takes an episode of domestic violence when she was 12 as inspiration for a deft and powerful study of her childhood self my

amazon com customer reviews the shame of american legal - Sep 03 2022

web this book is a must read for anyone who is considering attending law school professor watson is defiantly not your typical american law school professor and his training in

the shame of american education apa psycnet - Nov 24 2021

web the theories of human behavior most often taught in schools of education particularly cognitive psychology stand in the way of this solution to the problem of american

the shame of american legal education researchgate - May 11 2023

web jan 1 2005 download citation on jan 1 2005 alan watson published the shame of american legal education find read and cite all the research you need on

the shame of american legal education semantic scholar - Jun 12 2023

web dec 1 2006 2023 this study investigates review time and insider bias in 56 920 papers published by 258 social sciences journals results show that average review duration in

pdf the shame of american education semantic scholar - Dec 26 2021

web published 1 september 1984 education american psychologist recent analyses of american schools and proposals for school reform have missed an essential point

the shame of american legal education 2nd edition - Aug 14 2023

web the shame of american legal education 2nd edition alan watson university of georgia school of law follow download table of contents and preface 4 7 mb description

the shame of american legal education goodreads - Mar 29 2022

web read reviews from the world s largest community for readers the title tells it all american legal education is shamefully bad casebooks are endemic esp

review the discipline of law schools the making of modern - Dec 06 2022

web no such stylistic limitations are on display in watson s the shame of american legal education in contrast to kissam s watson s book is casually conversational in its

[the shame of american legal education paperback amazon](#) - Feb 08 2023

web paperback the title tells it all american legal education is shamefully bad casebooks are endemic especially in the first year teaching by terror abridged cases are

[the shame of american legal education vandeplas](#) - Apr 17 2021

web the acceptable reviews are edited by students who have no expertise and articles are almost always bloated with any insight concealed the articles though play almost no

report on indicators of school crime and safety 2022 and - Sep 22 2021

web sep 13 2023 this report is the 25th in a series of annual publications produced jointly by the bureau of justice statistics bjs and the national center for education statistics

former royal ballet school students speak out over toxic body - Jun 19 2021

web sep 11 2023 ellen elphick who joined the royal ballet school in london in 2009 at the age of 16 told the bbc that within her first two weeks at the school she was shamed by

[the shame of american legal education](#) - Nov 05 2022

web author watson alan 1933 2018 title the shame of american legal education alan watson imprint belgrade dosije 2005 description 177 pages 24 cm bibliography

[the shame of american legal education open library](#) - Jan 07 2023

web jan 1 2007 the shame of american legal education by alan watson january 1 2007 vandeplas publishing edition paperback in english 1st edition

parents challenge massachusetts school district s gender identity - Jul 21 2021

web 1 day ago more than 1 040 school districts in 37 states discourage or bar staff from telling parents about a student s transgender status or gender identity without their permission