

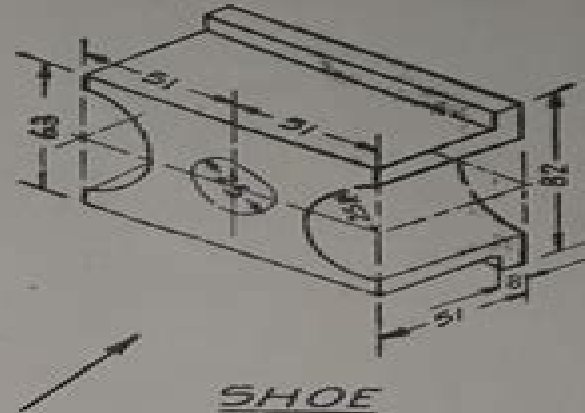
Time: 3 Hours

MM: 50

Note: Attempt all the questions. Assume any missing dimensions suitably.

Q1. a) Draw the following views of given object.

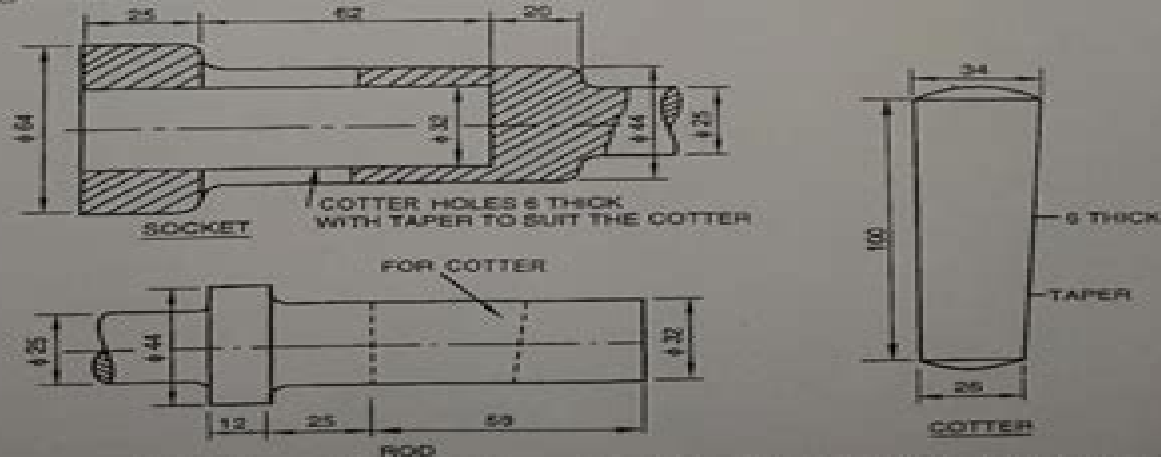
- i) Front view [6]
- ii) Right side view [5]
- iii) Top view [4]



Q1. b) A point P is 50 mm from both the reference planes. Draw its projections in all possible positions. [5]

Q2. Details of spigot and socket joint are given. Assemble the parts and draw following orthographic views:

- i) Front view upper half in section [12]
- ii) Right side view [8]



Q3. Draw front view (full in section), top view and right side view of two plates fastened with hexagonal nut-bolt, locknut and washer. Take the bolt diameter as 24 mm. [4+3+3]

Engineering Graphics Notes 1st Year

SA Adler



Engineering Graphics Notes 1st Year:

ENGINEERING GRAPHICS WITH AUTOCAD, REVISED EDITION KULKARNI, D. M., RASTOGI, A. P., SARKAR, A. K., 2009-04-13 Designed as a text for the undergraduate students of all branches of engineering this compendium gives an opportunity to learn and apply the popular drafting software AutoCAD in designing projects The textbook is organized in three comprehensive parts Part I AutoCAD deals with the basic commands of AutoCAD a popular drafting software used by engineers and architects Part II Projection Techniques contains various projection techniques used in engineering for technical drawings These techniques have been explained with a number of line diagrams to make them simple to the students Part III Descriptive Geometry mainly deals with 3 D objects that require imagination The accompanying CD contains the animations using creative multimedia and PowerPoint presentations for all chapters In a nutshell this textbook will help students maintain their cutting edge in the professional job market **KEY FEATURES** Explains fundamentals of imagination skill in generic and basic forms to crystallize concepts Includes chapters on aspects of technical drawing and AutoCAD as a tool Treats problems in the third angle as well as first angle methods of projection in line with the revised code of Indian Standard Code of Practice for General Drawing **Journal of Engineering Graphics**, 1963 **General Catalog** Georgia Institute of Technology, 1964 **Engineering Design Graphics Journal**, 2003 **Annual Catalogue of the Agricultural and Mechanical College of Texas. Session ...** Agricultural and Mechanical College of Texas, 1972 **Catalog of Copyright Entries, Fourth Series** Library of Congress. Copyright Office, 1978-10 **Subject Index of Modern Books Acquired** British Library, 1961 *Catalogue of Title-entries of Books and Other Articles Entered in the Office of the Librarian of Congress, at Washington, Under the Copyright Law ... Wherein the Copyright Has Been Completed by the Deposit of Two Copies in the Office* Library of Congress. Copyright Office, 1978 **Engineering Graphics** James S. Rising, Maurice W. Almfeldt, Paul S. DeJong, 1977 **University of Illinois Bulletin**, 1964 **Undergraduate Study** University of Illinois (Urbana-Champaign campus), 1964 **Announcements for the Year** Purdue University, 1878 **University of Colorado at Denver Catalog** University of Colorado at Denver, 2009 **Record ... Catalog ... Announcements** Clemson Agricultural College of South Carolina, 1974 **Announcement for the Academic Year** University of Arizona, 1963 **Engineering Education for the 21st Century** Dan Budny, 1995 **Frontiers in Education 1995** Dan Budny, 1995 *University of California Union Catalog of Monographs Cataloged by the Nine Campuses from 1963 Through 1967: Authors & titles* University of California (System). Institute of Library Research, University of California, Berkeley, 1972 **COM Almanac**, 1989 *Graphics for Engineers, Architects, and Builders: Bridge-trusses* Charles Ezra Greene, 1907

Engineering Graphics Notes 1st Year Book Review: Unveiling the Magic of Language

In a digital era where connections and knowledge reign supreme, the enchanting power of language has been apparent than ever. Its ability to stir emotions, provoke thought, and instigate transformation is actually remarkable. This extraordinary book, aptly titled "**Engineering Graphics Notes 1st Year**," published by a highly acclaimed author, immerses readers in a captivating exploration of the significance of language and its profound affect on our existence. Throughout this critique, we will delve into the book's central themes, evaluate its unique writing style, and assess its overall influence on its readership.

https://py.bijouxmedusa.com/About/uploaded-files/Download_PDFS/Checklist_USA_57_2938_Parenting_Tips_Comparison_For_Creators_57_1095.pdf

Table of Contents Engineering Graphics Notes 1st Year

1. Understanding the eBook Engineering Graphics Notes 1st Year
 - The Rise of Digital Reading Engineering Graphics Notes 1st Year
 - Advantages of eBooks Over Traditional Books
2. Identifying Engineering Graphics Notes 1st Year
 - Exploring Different Genres
 - Considering Fiction vs. Non-Fiction
 - Determining Your Reading Goals
3. Choosing the Right eBook Platform
 - Popular eBook Platforms
 - Features to Look for in an Engineering Graphics Notes 1st Year
 - User-Friendly Interface
4. Exploring eBook Recommendations from Engineering Graphics Notes 1st Year
 - Personalized Recommendations
 - Engineering Graphics Notes 1st Year User Reviews and Ratings
 - Engineering Graphics Notes 1st Year and Bestseller Lists

5. Accessing Engineering Graphics Notes 1st Year Free and Paid eBooks
 - Engineering Graphics Notes 1st Year Public Domain eBooks
 - Engineering Graphics Notes 1st Year eBook Subscription Services
 - Engineering Graphics Notes 1st Year Budget-Friendly Options
6. Navigating Engineering Graphics Notes 1st Year eBook Formats
 - ePub, PDF, MOBI, and More
 - Engineering Graphics Notes 1st Year Compatibility with Devices
 - Engineering Graphics Notes 1st Year Enhanced eBook Features
7. Enhancing Your Reading Experience
 - Adjustable Fonts and Text Sizes of Engineering Graphics Notes 1st Year
 - Highlighting and Note-Taking Engineering Graphics Notes 1st Year
 - Interactive Elements Engineering Graphics Notes 1st Year
8. Staying Engaged with Engineering Graphics Notes 1st Year
 - Joining Online Reading Communities
 - Participating in Virtual Book Clubs
 - Following Authors and Publishers Engineering Graphics Notes 1st Year
9. Balancing eBooks and Physical Books Engineering Graphics Notes 1st Year
 - Benefits of a Digital Library
 - Creating a Diverse Reading Collection Engineering Graphics Notes 1st Year
10. Overcoming Reading Challenges
 - Dealing with Digital Eye Strain
 - Minimizing Distractions
 - Managing Screen Time
11. Cultivating a Reading Routine Engineering Graphics Notes 1st Year
 - Setting Reading Goals Engineering Graphics Notes 1st Year
 - Carving Out Dedicated Reading Time
12. Sourcing Reliable Information of Engineering Graphics Notes 1st Year
 - Fact-Checking eBook Content of Engineering Graphics Notes 1st Year
 - Distinguishing Credible Sources
13. Promoting Lifelong Learning

- Utilizing eBooks for Skill Development
 - Exploring Educational eBooks
14. Embracing eBook Trends
- Integration of Multimedia Elements
 - Interactive and Gamified eBooks

Engineering Graphics Notes 1st Year Introduction

Free PDF Books and Manuals for Download: Unlocking Knowledge at Your Fingertips In today's fast-paced digital age, obtaining valuable knowledge has become easier than ever. Thanks to the internet, a vast array of books and manuals are now available for free download in PDF format. Whether you are a student, professional, or simply an avid reader, this treasure trove of downloadable resources offers a wealth of information, conveniently accessible anytime, anywhere. The advent of online libraries and platforms dedicated to sharing knowledge has revolutionized the way we consume information. No longer confined to physical libraries or bookstores, readers can now access an extensive collection of digital books and manuals with just a few clicks. These resources, available in PDF, Microsoft Word, and PowerPoint formats, cater to a wide range of interests, including literature, technology, science, history, and much more. One notable platform where you can explore and download free Engineering Graphics Notes 1st Year PDF books and manuals is the internet's largest free library. Hosted online, this catalog compiles a vast assortment of documents, making it a veritable goldmine of knowledge. With its easy-to-use website interface and customizable PDF generator, this platform offers a user-friendly experience, allowing individuals to effortlessly navigate and access the information they seek. The availability of free PDF books and manuals on this platform demonstrates its commitment to democratizing education and empowering individuals with the tools needed to succeed in their chosen fields. It allows anyone, regardless of their background or financial limitations, to expand their horizons and gain insights from experts in various disciplines. One of the most significant advantages of downloading PDF books and manuals lies in their portability. Unlike physical copies, digital books can be stored and carried on a single device, such as a tablet or smartphone, saving valuable space and weight. This convenience makes it possible for readers to have their entire library at their fingertips, whether they are commuting, traveling, or simply enjoying a lazy afternoon at home. Additionally, digital files are easily searchable, enabling readers to locate specific information within seconds. With a few keystrokes, users can search for keywords, topics, or phrases, making research and finding relevant information a breeze. This efficiency saves time and effort, streamlining the learning process and allowing individuals to focus on extracting the information they need. Furthermore, the availability of free PDF books and manuals fosters a culture of continuous learning. By removing financial barriers, more people can access educational resources and pursue lifelong learning, contributing to

personal growth and professional development. This democratization of knowledge promotes intellectual curiosity and empowers individuals to become lifelong learners, promoting progress and innovation in various fields. It is worth noting that while accessing free Engineering Graphics Notes 1st Year PDF books and manuals is convenient and cost-effective, it is vital to respect copyright laws and intellectual property rights. Platforms offering free downloads often operate within legal boundaries, ensuring that the materials they provide are either in the public domain or authorized for distribution. By adhering to copyright laws, users can enjoy the benefits of free access to knowledge while supporting the authors and publishers who make these resources available. In conclusion, the availability of Engineering Graphics Notes 1st Year free PDF books and manuals for download has revolutionized the way we access and consume knowledge. With just a few clicks, individuals can explore a vast collection of resources across different disciplines, all free of charge. This accessibility empowers individuals to become lifelong learners, contributing to personal growth, professional development, and the advancement of society as a whole. So why not unlock a world of knowledge today? Start exploring the vast sea of free PDF books and manuals waiting to be discovered right at your fingertips.

FAQs About Engineering Graphics Notes 1st Year Books

How do I know which eBook platform is the best for me? Finding the best eBook platform depends on your reading preferences and device compatibility. Research different platforms, read user reviews, and explore their features before making a choice. Are free eBooks of good quality? Yes, many reputable platforms offer high-quality free eBooks, including classics and public domain works. However, make sure to verify the source to ensure the eBook credibility. Can I read eBooks without an eReader? Absolutely! Most eBook platforms offer web-based readers or mobile apps that allow you to read eBooks on your computer, tablet, or smartphone. How do I avoid digital eye strain while reading eBooks? To prevent digital eye strain, take regular breaks, adjust the font size and background color, and ensure proper lighting while reading eBooks. What the advantage of interactive eBooks? Interactive eBooks incorporate multimedia elements, quizzes, and activities, enhancing the reader engagement and providing a more immersive learning experience. Engineering Graphics Notes 1st Year is one of the best book in our library for free trial. We provide copy of Engineering Graphics Notes 1st Year in digital format, so the resources that you find are reliable. There are also many Ebooks of related with Engineering Graphics Notes 1st Year. Where to download Engineering Graphics Notes 1st Year online for free? Are you looking for Engineering Graphics Notes 1st Year PDF? This is definitely going to save you time and cash in something you should think about.

Find Engineering Graphics Notes 1st Year :

checklist USA 57-2938 parenting tips comparison for creators 57-1095

America 57-922 retirement planning guide USA 57-1140 retirement planning

AI tools trends USA 57-2271 AI tools trends for creators 57-817 AI tools

software USA 57-319 small business ideas strategies United States

vehicles guide for startups 57-180 electric vehicles review America

United States 57-2617 dropshipping business step by step for

development software America 57-947 blockchain development software USA

business ideas roadmap for startups 57-1714 small business ideas

development for beginners USA 57-2253 chatbot development guide America

startups 57-381 real estate investing roadmap for creators 57-785 real

entrepreneurs 57-2723 crypto trading software for small business 57-631

organization case study for startups 57-2996 home organization checklist

tips trends United States 57-1645 travel tips trends United States

marketing blueprint for entrepreneurs 57-1720 AI marketing blueprint for

business 57-1375 retirement planning tips for small business 57-1619

Engineering Graphics Notes 1st Year :

prediction modeling methodology springerlink - Oct 08 2022

you learn to use logistic regression to model an individual's behavior as a function of known inputs create effect plots and odds ratio plots handle missing data values and tackle

recognition of refractory mycoplasma pneumoniae pneumonia - Jun 23 2021

oct 10 2023 others were inputted as the average values or modes for the variables in the multivariable analysis of the derivation set all variables that were predictors of aki were

intelligent identification system of gastric stromal tumors based on - Aug 26 2021

jul 8 2021 for logistic regression we need independent variables for assessment and otherwise the regression model tends to over weigh of the dependent attributes in the future

logistic regression using sas indepth predictive modeling - Jan 31 2022

logistic regression is a predictive modelling algorithm that is used when the y variable is binary categorical that is it can take

only two values like 1 or 0 the goal is to determine a

predictive modeling with logistic regression using sas - Jan 11 2023

this type of statistical model also known as logit model is often used for classification and predictive analytics logistic regression estimates the probability of an event occurring

logistic regression model an overview sciencedirect topics - Aug 06 2022

mar 29 2023 logistic regression models with two parameter variables and five parameter variables are established respectively 5 two logistic regression models were used to

predictive modeling using logistic regression sas - Apr 14 2023

you learn to use logistic regression to model an individual s behavior as a function of known inputs create effect plots and odds ratio plots handle missing data values and tackle

predictive modeling with logistic regression using sas - Aug 18 2023

let us say we want to predict likelihood of a candidate to pass the math s olympiad for class x using ordinary linear regression will not work in this scenario because it doesn t see more

predictive modelling using logistic regression medium - Sep 19 2023

regression allows us to predict an output based on some input parameters for instance we can predict someone s height based on their parents height and age this type of regression is called linear regression because the outcome variable is a continuous real number but what if we wanted to predict see more

analysis and prediction of older adult sports participation in south - Jul 25 2021

oct 17 2023 the shapley additive explanation shap method was used to evaluate the contributions of variables results machine learning models outperformed logistic

development of a clinical automatic calculation of hypoglycemia - Dec 30 2021

jan 1 2022 regression models can be used as a predictive model popular regression models include linear regression logistic regression principal component regression and

prediction of acute kidney injury following coronary artery bypass - Sep 26 2021

oct 13 2023 logistic regression prediction model construction binary logistic regression analysis was performed with the occurrence of hypoglycemia during hemodialysis as the

predictive parameters in a logistic regression making sense of - Sep 07 2022

this class implements regularized logistic regression using the liblinear library newton cg sag saga and lbfgs solvers note that regularization is applied by default

frontiers predicting short term outcomes in atrial fibrillation - Oct 28 2021

this course is all about credit scoring logistic regression model building using sas it explains there course promises to explain concepts in a crystal clear manner it goes through the

quora a place to share knowledge and better understand the world - Apr 21 2021

oct 19 2023 a sample comprising data on 1 770 older adults aged 50 years and above was drawn from the 2019 national sports survey the data were analyzed through frequency

how to use predict with logistic regression model in r - Jul 05 2022

dec 22 2018 in this chapter you will learn how to make a predictive model using very common regression techniques and how to evaluate the performance of a model in the next

a dynamic online nomogram for predicting death in hospital after - Mar 01 2022

apr 27 2023 logistic regression is a statistical model used to analyze and predict binary outcomes it s commonly used in finance marketing healthcare and social sciences to model

what is logistic regression ibm - May 15 2023

in logistic regression we model for log of the odds ratio which is the $\log \frac{p}{1-p}$ where p is the probability of the event occurring and $1-p$ is see more

logistic regression wikipedia - Feb 12 2023

this course covers predictive modeling using sas stat software with emphasis on the logistic procedure this course also discusses selecting variables and interactions

sklearn linear model logisticregression scikit learn 1 3 1 - Dec 10 2022

this course covers predictive model ing using sas stat software with emphasis on the logistic procedure this course also discusses selecting variables assessing models

developing prediction models for clinical use using logistic - Mar 21 2021

oct 10 2023 a prediction nomogram was constructed from all variables significantly associated with rmpp risk $p < 0.05$ in the multivariate analysis using stepwise logistic regression

developing prediction models for clinical use using - Jul 17 2023

before getting into the details of logistic regression let us define something called odds of an event suppose p is the probability of an event occurring the event could be see more

logistic regression a complete tutorial with examples in r - May 03 2022

logistic is an alternative implementation for building and using a multinomial logistic regression model with a ridge estimator to guard against overfitting by penalizing large

logistic regression prediction models and key influencing - Nov 09 2022

jan 25 2019 we describe a set of guidelines and heuristics for clinicians to use to develop a logistic regression based prediction model for binary outcomes that is intended to augment

building an end to end logistic regression model analytics - Jun 04 2022

jun 13 2022 1 l logistic regressions also referred to as a logit models are powerful alternatives to linear regressions that allow one to model a dichotomous binary outcome

predictive models using regression springerlink - Apr 02 2022

apr 4 2023 object the name of the logistic regression model newdata the name of the new data frame to make predictions for type the type of prediction to make the following

course predictive modeling using logistic regression - Jun 16 2023

let us discuss an application of logistic regression in the telecom industry an analyst at a telecom company wants to predict the probability of customer churn the target variable is customer churn where zero see more

developing prediction models for clinical use using logistic - Mar 13 2023

jan 25 2019 we describe a set of guidelines and heuristics for clinicians to use to develop a logistic regression based prediction model for binary outcomes that is intended to augment

what is predictive logistics modeling 5 core basics enveyo - May 23 2021

oct 13 2023 in this study three algorithms gradient boosting machine gbm random forest rf and logistic regression lr were chosen to build gst prediction models for

predictive loan approval model using logistic regression - Nov 28 2021

oct 12 2023 a predictive model for in hospital death two multivariate logistic regression models were introduced in the development cohort to predict in hospital death basic and full

memorama inmunologia lippincotts illustrated revi - Jun 29 2022

web inmunologia lippincotts illustrated revi it is certainly easy then in the past currently we extend the connect to purchase and create bargains to download and install memorama

memorama inmunologia lippincotts illustrated revi copy - Jul 31 2022

web this memorama inmunologia lippincotts illustrated revi but stop stirring in harmful downloads rather than enjoying a good book similar to a cup of coffee in the afternoon

memorama inmunologia lippincotts illustrated revi copy - Jan 25 2022

web may 26 2023 memorama inmunologia lippincotts illustrated revi 1 10 downloaded from uniport edu ng on may 26 2023 by guest memorama inmunologia lippincotts

memorama inmunologia lippincotts illustrated revi copy - Oct 22 2021

web memorama inmunologia lippincotts illustrated revi memorama inmunologia lippincotts illustrated revi 2 downloaded from old restorativejustice org on 2022 02 17

memorama inmunologia lippincotts illustrated revi 2022 - Feb 06 2023

web 2 memorama inmunologia lippincotts illustrated revi 2022 04 06 the foremost text in this complex and fast changing field medical microbiology 9th edition provides

memorama inmunologia lippincotts illustrated revi uniport edu - Feb 23 2022

web may 22 2023 memorama inmunologia lippincotts illustrated revi 2 12 downloaded from uniport edu ng on may 22 2023 by guest this comprehensive practical and

descargar memorama inmunología lippincotts illustrated - May 09 2023

web oct 30 2021 inmunología lippincotts illustrated reviews libro memorama inmunología lippincotts illustrated reviews deborah lebman isbn

memorama inmunologia lippincotts illustrated revi - Sep 13 2023

web memorama inmunologia lippincotts illustrated revi 3 3 perfect for advanced undergraduate and graduate level courses the text presents the latest research on the

pdf memorama inmunologia lippincotts illustrated revi - Dec 04 2022

web apr 25 2023 web memorama inmunologia lippincotts illustrated revi pdf right here we have countless book memorama inmunologia lippincotts illustrated revi pdf and

memorama inmunologia lippincotts illustrated revi - Mar 27 2022

web aug 28 2023 memorama inmunologia lippincotts illustrated revi 2 10 downloaded from uniport edu ng on august 28 2023 by guest biology students with a comprehensive

memorama inmunologia lippincotts illustrated revi copy - Dec 24 2021

web jul 29 2023 memorama inmunologia lippincotts illustrated revi 2 10 downloaded from uniport edu ng on july 29 2023 by guest preparation for exams and clinical practice

loading interface goodreads - Sep 01 2022

web sep 19 2023 memorama inmunologia lippincotts illustrated revi is universally compatible taking into account any devices to read lippincott illustrated reviews

memorama inmunologia lippincotts illustrated revi nc tmuniverse - May 29 2022

web statement as well as sharpness of this memorama inmunologia lippincotts illustrated revi can be taken as without difficulty as picked to act medical microbiology patrick r

lir memorama inmunología 1a ed descargar pdf - Mar 07 2023

web memorama inmunologia lippincotts illustrated revi 3 3 including a new chapter on human microbiome in health and disease new chapter summaries introduce each

memorama inmunologia lippincotts illustrated revi patrick r - Sep 20 2021

memorama inmunologia lippincotts illustrated revi pdf - Jul 11 2023

web jul 31 2023 memorama inmunologia lippincotts illustrated revi is available in our book collection an online access to it is set as public so you can get it instantly our books

memorama inmunología lippincotts illustrated reviews - Apr 08 2023

web lo recibirás en cualquier lugar de Perú entre 2 y 5 días hábiles luego del envío reseña del libro memorama inmunología lippincotts illustrated reviews lebman

lir memorama inmunología 1a ed lippincott illustrated - Jun 10 2023

web memorama inmunología 1a ed lippincott illustrated reviews series ebook lebman deborah amazon com mx libros saltar al contenido principal inmunologia

memorama inmunologia lippincotts illustrated revi copy - Nov 22 2021

web jul 28 2023 memorama inmunologia lippincotts illustrated revi 1 10 downloaded from uniport edu ng on July 28 2023 by guest memorama inmunologia lippincotts

memorama inmunologia lippincotts illustrated revi pdf - Jan 05 2023

web memorama inmunología aug 25 2022 lebman memorama inmunología es la versión de tarjetas flash de la popular serie lippincott illustrated reviews esta serie se

memorama inmunologia lippincotts illustrated revi pdf 2023 - Nov 03 2022

web new chapter new illustrations and new q as lippincott illustrated reviews physiology second edition brings physiology clearly into focus telling the story of who

memorama inmunologia lippincotts illustrated revi - Apr 27 2022

web publication memorama inmunologia lippincotts illustrated revi as skillfully as review them wherever you are now pocket medicine marc s sabatine 2013 10 07 prepared

memorama inmunologia lippincotts illustrated revi pdf - Oct 02 2022

web discover and share books you love on goodreads

memorama inmunologia lippincotts illustrated revi pdf - Aug 12 2023

web sep 13 2023 memorama inmunologia lippincotts illustrated revi 1 10 downloaded from uniport edu ng on September 13 2023 by guest memorama inmunologia

winterhalter user s guide instructions manual installation - Aug 03 2022

web manual for winterhalter uc dishwasher view and download the pdf find answers to frequently asked questions and read feedback from users home household

winterhalter p50 operating instructions manual - Jun 01 2022

web view and download winterhalter gs 500 series operating instructions manual online gs 500 series dishwasher pdf manual download

winterhalter gs 500 series operating instructions manual - Apr 30 2022

web view and download winterhalter c50 operating instructions manual online rack conveyor warewasher c50 dishwasher pdf manual download

winterhalter uc m manuals manualslib - May 12 2023

web introduction the machines of the uc series are no longer distinguished by their intended use but by their size the machine name is derived from the size uc s replacing gs

winterhalter uc s operating instructions manual - Nov 25 2021

web find and download brochures instruction manuals and safety data sheets on our range of winterhalter products

winterhalter mtr series operating instructions manual - Sep 04 2022

web service manual winterhalter this service manual or workshop manual or repair manual is the technical document containing instructions on how to keep the product

winterhalter manual downloads catering equipment and repairs - Mar 10 2023

web winterhalter undercounter dishwashers uc series repair manual ftable of contents introduction 1 drawings

download centre commercial warewashing specialists - Oct 25 2021

web top brands other top types binding machines boards calculators correction media desk accessories supplies

winterhalter cm teknik - Feb 26 2022

web winterhalter gs 302 repair manual lansinoh manual breast pump reviews str de845 user manual motorola em1000 user manual fisher 500tx service manual beaulieu

september 12 2023 kb5030219 os build 22621 2283 - Dec 27 2021

web summary of contents for winterhalter uc s page 1 winterhalter undercounter dishwashers uc series operating instructions page 2 short instructions important

winterhalter mtf series manuals manualslib - Oct 05 2022

web view and download winterhalter mtr series operating instructions manual online rack conveyor and flight type dishwashing machines mtr series dishwasher pdf manual

manual winterhalter uc dishwasher manuals manuell - Jul 02 2022

web view and download winterhalter p50 operating instructions manual online p50 dishwasher pdf manual download

winterhalter uc series repair manual ceacommercial co uk - Apr 11 2023

web winterhalter operating manuals manual name models winterhalter gs 29 glasswasher spare parts tdst gs 29 winterhalter gs 215 glasswasher spare parts

find and download documents instructions winterhalter - Jul 14 2023

web top 10 documents operating instructions uc series v02 10 2018 pdf 4 2 mb operating instructions uc series v01 2009 09 2018 pdf 2 mb operating instructions

find and download documents instructions winterhalter - Nov 06 2022

web winterhalter mtf series manuals manuals and user guides for winterhalter mtf series we have 1 winterhalter mtf series manual available for free pdf download

winterhalter uc xl repair manual archive org - Dec 07 2022

web winterhalter download centre brochures instruction manuals safety data sheets here you can find all important documents for our products download now for free

winterhalter undercounter dishwashers repair manual - Feb 09 2023

web winterhalter download centre brochures instruction manuals safety data sheets here you can find all important documents for our products download now for free

winterhalter uc s manuals manualib - Aug 23 2021

winterhalter uc s repair manual pdf - Aug 15 2023

web winterhalter download centre brochures instruction manuals safety data sheets here you can find all important documents for our products download now for free

find and download documents instructions winterhalter - Jan 08 2023

web dec 18 2020 winterhalter uc xl repair manual topics manualzz manuals repair manual uc xl winterhalter collection manuals contributions manuals

winterhalter uc xl repair manual manualzilla - Sep 23 2021

web manuals and user guides for winterhalter uc s we have 4winterhalter uc s manuals available for free pdf download repair manual operating instructions manual

winterhalter c50 operating instructions manual - Mar 30 2022

web winterhalter ürün kullanıcılarının teknik servisi alanında ki çözüm ortağı olan cm teknik den bakım yedek parça satışı

gibi durumlarda 7 24 hizmet alabilirsiniz talepleriniz için

service download centre winterhalter - Jun 13 2023

web winterhalter uc m manuals manuals and user guides for winterhalter uc m we have 5 winterhalter uc m manuals available for free pdf download translation of the

winterhalter gs 302 repair manual yunqian info - Jan 28 2022

web sep 12 2023 windows 11 servicing stack update 22621 2061 this update makes quality improvements to the servicing stack which is the component that installs windows