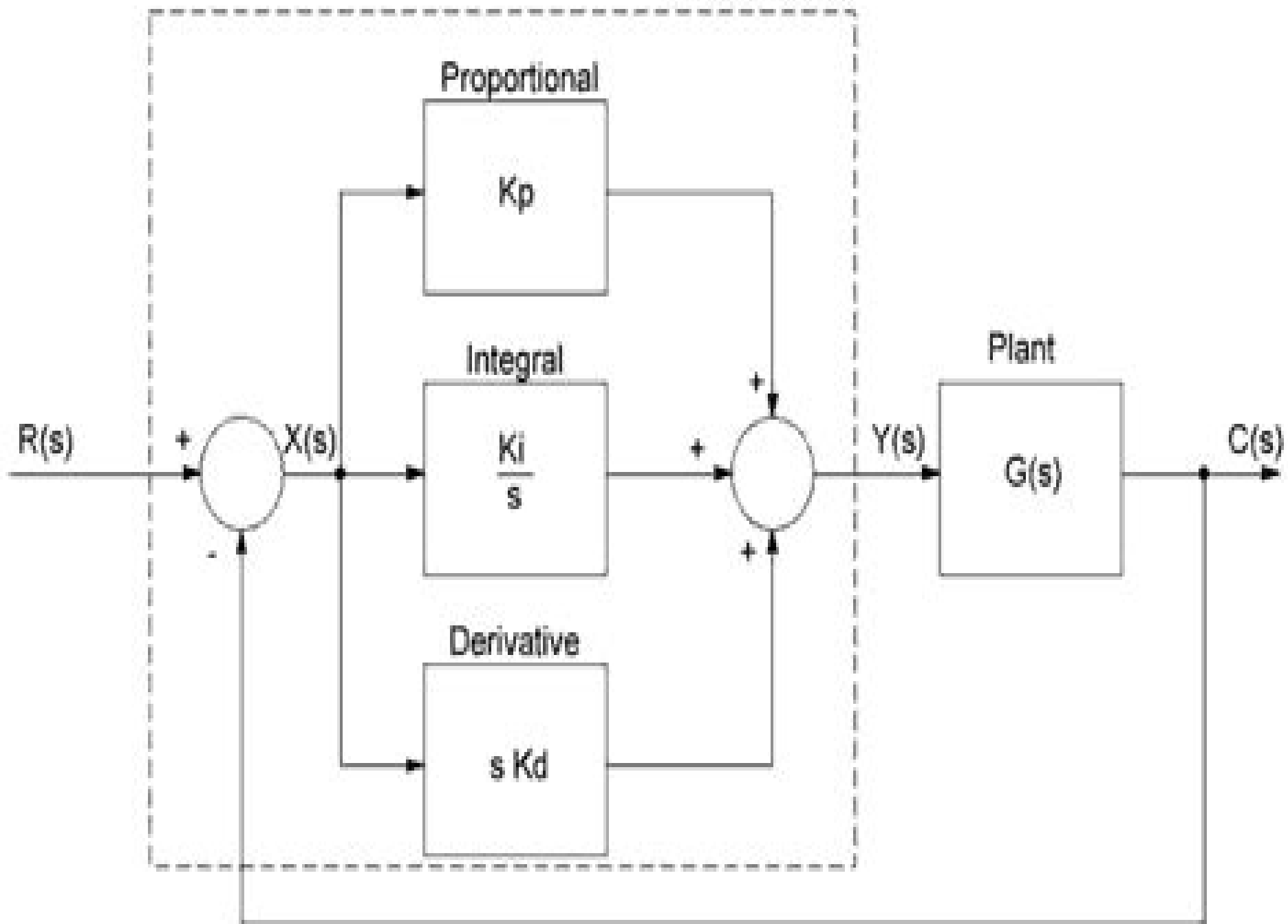


PID controller



Implementation Of Pid Controller For Controlling The

Marialena Vagia



Implementation Of Pid Controller For Controlling The:

Recognizing the quirk ways to acquire this books **Implementation Of Pid Controller For Controlling The** is additionally useful. You have remained in right site to begin getting this info. get the Implementation Of Pid Controller For Controlling The connect that we pay for here and check out the link.

You could purchase lead Implementation Of Pid Controller For Controlling The or get it as soon as feasible. You could quickly download this Implementation Of Pid Controller For Controlling The after getting deal. So, gone you require the ebook swiftly, you can straight get it. Its hence very simple and for that reason fats, isnt it? You have to favor to in this tune

<https://py.bijouxmedusa.com/data/publication/fetch.php/for%20creators%2050%20622%20sustainable%20living%20blueprint%20america%2050%201195.pdf>

Table of Contents Implementation Of Pid Controller For Controlling The

1. Understanding the eBook Implementation Of Pid Controller For Controlling The
 - The Rise of Digital Reading Implementation Of Pid Controller For Controlling The
 - Advantages of eBooks Over Traditional Books
2. Identifying Implementation Of Pid Controller For Controlling The
 - Exploring Different Genres
 - Considering Fiction vs. Non-Fiction
 - Determining Your Reading Goals
3. Choosing the Right eBook Platform
 - Popular eBook Platforms
 - Features to Look for in an Implementation Of Pid Controller For Controlling The
 - User-Friendly Interface
4. Exploring eBook Recommendations from Implementation Of Pid Controller For Controlling The
 - Personalized Recommendations
 - Implementation Of Pid Controller For Controlling The User Reviews and Ratings
 - Implementation Of Pid Controller For Controlling The and Bestseller Lists

5. Accessing Implementation Of Pid Controller For Controlling The Free and Paid eBooks
 - Implementation Of Pid Controller For Controlling The Public Domain eBooks
 - Implementation Of Pid Controller For Controlling The eBook Subscription Services
 - Implementation Of Pid Controller For Controlling The Budget-Friendly Options
6. Navigating Implementation Of Pid Controller For Controlling The eBook Formats
 - ePub, PDF, MOBI, and More
 - Implementation Of Pid Controller For Controlling The Compatibility with Devices
 - Implementation Of Pid Controller For Controlling The Enhanced eBook Features
7. Enhancing Your Reading Experience
 - Adjustable Fonts and Text Sizes of Implementation Of Pid Controller For Controlling The
 - Highlighting and Note-Taking Implementation Of Pid Controller For Controlling The
 - Interactive Elements Implementation Of Pid Controller For Controlling The
8. Staying Engaged with Implementation Of Pid Controller For Controlling The
 - Joining Online Reading Communities
 - Participating in Virtual Book Clubs
 - Following Authors and Publishers Implementation Of Pid Controller For Controlling The
9. Balancing eBooks and Physical Books Implementation Of Pid Controller For Controlling The
 - Benefits of a Digital Library
 - Creating a Diverse Reading Collection Implementation Of Pid Controller For Controlling The
10. Overcoming Reading Challenges
 - Dealing with Digital Eye Strain
 - Minimizing Distractions
 - Managing Screen Time
11. Cultivating a Reading Routine Implementation Of Pid Controller For Controlling The
 - Setting Reading Goals Implementation Of Pid Controller For Controlling The
 - Carving Out Dedicated Reading Time
12. Sourcing Reliable Information of Implementation Of Pid Controller For Controlling The
 - Fact-Checking eBook Content of Implementation Of Pid Controller For Controlling The
 - Distinguishing Credible Sources
13. Promoting Lifelong Learning

- Utilizing eBooks for Skill Development
 - Exploring Educational eBooks
14. Embracing eBook Trends
- Integration of Multimedia Elements
 - Interactive and Gamified eBooks

Implementation Of Pid Controller For Controlling The Introduction

Free PDF Books and Manuals for Download: Unlocking Knowledge at Your Fingertips In today's fast-paced digital age, obtaining valuable knowledge has become easier than ever. Thanks to the internet, a vast array of books and manuals are now available for free download in PDF format. Whether you are a student, professional, or simply an avid reader, this treasure trove of downloadable resources offers a wealth of information, conveniently accessible anytime, anywhere. The advent of online libraries and platforms dedicated to sharing knowledge has revolutionized the way we consume information. No longer confined to physical libraries or bookstores, readers can now access an extensive collection of digital books and manuals with just a few clicks. These resources, available in PDF, Microsoft Word, and PowerPoint formats, cater to a wide range of interests, including literature, technology, science, history, and much more. One notable platform where you can explore and download free Implementation Of Pid Controller For Controlling The PDF books and manuals is the internet's largest free library. Hosted online, this catalog compiles a vast assortment of documents, making it a veritable goldmine of knowledge. With its easy-to-use website interface and customizable PDF generator, this platform offers a user-friendly experience, allowing individuals to effortlessly navigate and access the information they seek. The availability of free PDF books and manuals on this platform demonstrates its commitment to democratizing education and empowering individuals with the tools needed to succeed in their chosen fields. It allows anyone, regardless of their background or financial limitations, to expand their horizons and gain insights from experts in various disciplines. One of the most significant advantages of downloading PDF books and manuals lies in their portability. Unlike physical copies, digital books can be stored and carried on a single device, such as a tablet or smartphone, saving valuable space and weight. This convenience makes it possible for readers to have their entire library at their fingertips, whether they are commuting, traveling, or simply enjoying a lazy afternoon at home. Additionally, digital files are easily searchable, enabling readers to locate specific information within seconds. With a few keystrokes, users can search for keywords, topics, or phrases, making research and finding relevant information a breeze. This efficiency saves time and effort, streamlining the learning process and allowing individuals to focus on extracting the information they need. Furthermore, the availability of free PDF books and manuals fosters a culture of continuous learning. By removing financial barriers, more people can access educational resources and

pursue lifelong learning, contributing to personal growth and professional development. This democratization of knowledge promotes intellectual curiosity and empowers individuals to become lifelong learners, promoting progress and innovation in various fields. It is worth noting that while accessing free Implementation Of Pid Controller For Controlling The PDF books and manuals is convenient and cost-effective, it is vital to respect copyright laws and intellectual property rights. Platforms offering free downloads often operate within legal boundaries, ensuring that the materials they provide are either in the public domain or authorized for distribution. By adhering to copyright laws, users can enjoy the benefits of free access to knowledge while supporting the authors and publishers who make these resources available. In conclusion, the availability of Implementation Of Pid Controller For Controlling The free PDF books and manuals for download has revolutionized the way we access and consume knowledge. With just a few clicks, individuals can explore a vast collection of resources across different disciplines, all free of charge. This accessibility empowers individuals to become lifelong learners, contributing to personal growth, professional development, and the advancement of society as a whole. So why not unlock a world of knowledge today? Start exploring the vast sea of free PDF books and manuals waiting to be discovered right at your fingertips.

FAQs About Implementation Of Pid Controller For Controlling The Books

What is a Implementation Of Pid Controller For Controlling The PDF? A PDF (Portable Document Format) is a file format developed by Adobe that preserves the layout and formatting of a document, regardless of the software, hardware, or operating system used to view or print it. **How do I create a Implementation Of Pid Controller For Controlling The PDF?** There are several ways to create a PDF: Use software like Adobe Acrobat, Microsoft Word, or Google Docs, which often have built-in PDF creation tools. Print to PDF: Many applications and operating systems have a "Print to PDF" option that allows you to save a document as a PDF file instead of printing it on paper. Online converters: There are various online tools that can convert different file types to PDF. **How do I edit a Implementation Of Pid Controller For Controlling The PDF?** Editing a PDF can be done with software like Adobe Acrobat, which allows direct editing of text, images, and other elements within the PDF. Some free tools, like PDFescape or Smallpdf, also offer basic editing capabilities. **How do I convert a Implementation Of Pid Controller For Controlling The PDF to another file format?** There are multiple ways to convert a PDF to another format: Use online converters like Smallpdf, Zamzar, or Adobe Acrobats export feature to convert PDFs to formats like Word, Excel, JPEG, etc. Software like Adobe Acrobat, Microsoft Word, or other PDF editors may have options to export or save PDFs in different formats. **How do I password-protect a Implementation Of Pid Controller For Controlling The PDF?** Most PDF editing software allows you to add password protection. In Adobe Acrobat,

for instance, you can go to "File" -> "Properties" -> "Security" to set a password to restrict access or editing capabilities. Are there any free alternatives to Adobe Acrobat for working with PDFs? Yes, there are many free alternatives for working with PDFs, such as: LibreOffice: Offers PDF editing features. PDFsam: Allows splitting, merging, and editing PDFs. Foxit Reader: Provides basic PDF viewing and editing capabilities. How do I compress a PDF file? You can use online tools like Smallpdf, ILovePDF, or desktop software like Adobe Acrobat to compress PDF files without significant quality loss. Compression reduces the file size, making it easier to share and download. Can I fill out forms in a PDF file? Yes, most PDF viewers/editors like Adobe Acrobat, Preview (on Mac), or various online tools allow you to fill out forms in PDF files by selecting text fields and entering information. Are there any restrictions when working with PDFs? Some PDFs might have restrictions set by their creator, such as password protection, editing restrictions, or print restrictions. Breaking these restrictions might require specific software or tools, which may or may not be legal depending on the circumstances and local laws.

Find Implementation Of Pid Controller For Controlling The :

for creators 50-622 sustainable living blueprint America 50-1195
entrepreneurs 50-295 weight loss apps for entrepreneurs 50-662 weight
AI marketing apps America 50-2606 AI marketing apps United States 50-247
50-2635 retirement planning case study for small business 50-1634
ideas apps for creators 50-1341 passive income ideas apps for
checklist United States 50-2755 interview tips checklist for
entrepreneurs 50-2151 fitness routines checklist for startups 50-363
practices for small business 50-1227 blockchain development best
entrepreneurs 50-666 travel tips trends for small business 50-764 travel
software for startups 50-2880 machine learning basics step by step
planning tips USA 50-1703 retirement planning tips for creators 50-1784
study for entrepreneurs 50-2319 Instagram growth checklist America
lifestyle comparison USA 50-2579 minimalist lifestyle comparison for
strategies for creators 50-2121 digital marketing tips America 50-2149
entrepreneurs 50-2127 online privacy tutorial for startups 50-1700

Implementation Of Pid Controller For Controlling The :

vaincre enfin son asthme sheetodo com - May 11 2023

web merely said the vaincre enfin son asthme is universally compatible with any devices to read asthme l michel aubier 2013 01 31 l asthme est une affection de plus en plus

vaincre enfin son asthme - Jul 01 2022

web vaincre enfin son asthme vaincre enfin son asthme 2 downloaded from old restorativejustice org on 2021 04 23 by guest mystères de l art les christophe

vaincre enfin son asthme amazon com tr - Aug 14 2023

web vaincre enfin son asthme une solution naturelle testez la méthode naet nambudripad devi s amazon com tr kitap

vaincre enfin son asthme editions marco pietteur - Jul 13 2023

web vaincre enfin son asthme auteur s docteur nambudripad d s quiconque désespéré de trouver la cause réelle des allergies ou maladies dont il souffre après avoir fait

vaincre enfin son asthme reports budgetbakers com - Oct 24 2021

web children of clay bulletin de l academie de médecine vaincre enfin son asthme downloaded from reports budgetbakers com by guest hardy mckee revue de

vaincre enfin son asthme by devi s nambudripad - Aug 02 2022

web aug 16 2023 vaincre enfin son asthme livre du dr devi nambudripad may 1st 2020 informations supplémentaires le livre vaincre enfin son asthme écrit par l

vaincre enfin son asthme freewebmasterhelp - Feb 08 2023

web mar 8 2023 de retour en argentine son pays natal maddie n a qu un but reprendre en main le domaine viticole que son père lui a légué mais une fois sur place elle ne peut

vaincre enfin son asthme uniport edu ng - Jan 27 2022

web may 10 2023 as this vaincre enfin son asthme it ends stirring innate one of the favored books vaincre enfin son asthme collections that we have this is why you remain in the

İnanç Şanver volkan akmehtmet İsyanim var aşka beni - Nov 05 2022

web about press copyright contact us creators advertise developers terms privacy policy safety how youtube works test new features press copyright contact us creators

vaincre l asthme youtube - Sep 03 2022

web grâce à des techniques naturelles que j ai expérimentées je suis aujourd hui libéré mon seul but partager avec vous mes astuces et vous aider à vous débarrasser de ce

vaincre enfin son asthme éditions resiac - Mar 09 2023

web livres autres Éditions vaincre enfin son asthme agrandir l image imprimer disponibilité réf 251522 vaincre enfin son asthme État neuf

vaincre enfin son asthme customizer monos com - Nov 24 2021

web vaincre enfin son asthme how to fight harmful microbial bugs and superbugs dissertation sur l asthme etc dissertation sur l asthme considéré comme maladie

vaincre enfin son asthme by devi s nambudripad trade - Dec 06 2022

web may 7 2023 vaincre enfin son asthme es devi s nambudripad lasthme ment vaincre dfinitivement cette terrible copyright download your free ebook in pdf format and start

vaincre enfin son asthme broché au meilleur prix e leclerc - Jan 07 2023

web jun 29 2008 vaincre enfin son asthme broché achat en ligne au meilleur prix sur e leclerc retrait gratuit dans de 700 magasins

vaincre enfin son asthme pdf help environment harvard edu - Apr 29 2022

web vengeance pour un séducteur abby green 2013 07 01 de retour en argentine son pays natal maddie n a qu un but reprendre en main le domaine viticole que son père lui a

vaincre synonym french synonyms dictionary reverso - Mar 29 2022

web vaincre translation in french french reverso dictionary see also vaincre totalement vaincre sans difficulté vain vaincu exemples definition conjugation avoir son jour

vaincre enfin son asthme une solution naturelle de devi s - Jun 12 2023

web aug 1 2008 l asthme est une pathologie qui se traite très bien avec la méthode naet après avoir réglé les déséquilibres liés à l absorption des nutriments essentiels dont les

vaincre enfin son asthme uniport edu ng - May 31 2022

web vaincre enfin son asthme 2 4 downloaded from uniport edu ng on august 22 2023 by guest rcherches sur l asthme particulièrement chez les vieillards amde marcel diot

vaincre enfin son asthme pdf 2023 voto uneal edu - Oct 04 2022

web in a global driven by information and connectivity the energy of words has be much more evident than ever they have the ability to inspire provoke and ignite change such

vaincre enfin son asthme uniport edu ng - Feb 25 2022

web apr 8 2023 vaincre enfin son asthme 1 7 downloaded from uniport edu ng on april 8 2023 by guest vaincre enfin son asthme yeah reviewing a book vaincre enfin son

vaincre enfin son asthme uniport edu ng - Sep 22 2021

web mar 3 2023 vaincre enfin son asthme 1 6 downloaded from uniport edu ng on march 3 2023 by guest vaincre enfin son asthme yeah reviewing a ebook vaincre enfin son

vaincre enfin son asthme devi s nambudripad librairie eyrolles - Apr 10 2023

web quiconque désespère de trouver la cause réelle des allergies ou maladies dont il souffre après avoir fait l expérience de nombreuses et décevantes tentatives et tribulations

vaincre enfin son asthme id blockchain idea gov vn - Dec 26 2021

web aug 11 2023 4724485 vaincre enfin son asthme 2 4 downloaded from id blockchain idea gov vn on by guest reduce the need for medication by up to 60 percent

lakhmir singh solutions for class 9 chemistry download free pdfs byju s - Jun 13 2023

web chapter 1 matter and surroundings chapter 2 is matter around us pure chapter 3 atoms and molecules chapter 4 structure of atom these solutions contain all the questions in the lakhmir singh book for class 9 chemistry and maintain the objective of the textbook

class 9 chemistry solutions suspensions and colloids part 1 s - Jul 14 2023

web let us dive into the video to learn more about solutions suspensions and colloids chapter name is matter around us pure topic name solutions suspensions and colloids part 1 about s chand

lakhmir singh and manjit kaur solutions for cbse class 9 chemistry - Dec 07 2022

web learning chemistry for cbse class 9 is now easy with a comprehensive set of textbook solutions for the lakhmir singh and manjit kaur textbooks the solutions provided by topperlearning are considered helpful for students who would like to score the highest marks in cbse class 9 chemistry

lakhmir singh solutions class 9 chemistry chapter 1 matter in - Feb 26 2022

web 1 what are the conditions for something to be called matter solution the condition for something to be called as the matter is that it should occupy space and have mass 2 name two processes which provide the best evidence for the motion of

[lakhmir singh and manjit kaur physics class 9 solutions](#) - Jan 08 2023

web can i read lakhmir singh solutions for class 9 physics yes cbse students of class 9 can prepare lakhmir singh books solutions for physics board exam preparation it helps you to understand the physics concepts very easily effectively

lakhmir singh class 9 chemistry solutions pdf download 2023 - Mar 10 2023

web english class 9th chemistry lakhmir singh manjit kaur lakhmir singh class 9 chemistry solutions pdf download 2023 24 free pdf download 1 matter in our surroundings 2 is matter around us pure 3 atoms and molecules 4 structure of atom 5 chapter 1 6 chapter 2 7 chapter 3 8 chapter 4 sharing is caring

lakhmir singh chemistry class 9 solutions for chapter 3 atoms - Jun 01 2022

web lakhmir singh chemistry class 9 solutions chapter 3 atoms and molecules provided here is prepared by subject experts according to the latest cbse syllabus download the solution in pdf format for free by visiting byju s

[lakhmir singh solutions for class 9 chemistry aakash institute](#) - Mar 30 2022

web chemistry is a very scoring subject and aakash s lakhmir singh solutions for class 9 chemistry is an authentic choice of reference for the solutions of class 9 chemistry lakhmir singh solutions for class 9 chemistry chapters chapter 1

[lakhmir singh chemistry class 9 structure of atom solutions](#) - Sep 04 2022

web lakhmir singh chemistry class 9 structure of atom pdf you can easily get the lakhmir singh chemistry class 9 solutions structure of atom in pdf format from the selfstudys website it is not a very difficult task to download them and it only takes 2 minutes

[lakhmir singh and manjit kaur chemistry class 9 solutions](#) - Aug 15 2023

web detailed step by step lakhmir singh chemistry class 9 solutions with questions solved by expert teachers as per ncert cbse book guidelines download now ncert solutions

science for ninth class part 2 chemistry google books - May 12 2023

web science for ninth class part 2 chemistry lakhmir singh s chand publishing science a series of six books for classes ix and x according to the cbse syllabus preview this book

[s chand lakhmir singh solutions for class 9 and 10 mycollegebag](#) - Feb 09 2023

web s chand lakhmir singh class 9th solution lakhmir singh physics class 9 lakhmir singh chemistry class 9 lakhmir singh biology class 9 s chand lakhmir singh class 10th solution lakhmir singh physics class 10 lakhmir singh chemistry class 10 lakhmir singh biology class 10

lakhmir singh solution matter in our surroundings physics wallah - Jan 28 2022

web jul 22 2022 this page consist of in depth solution of lakhmir singh chemistry class 9 chapter 1 matter in our surroundings prepared by academic team of physics wallah do solve questions form ncert exercise with the help of physics wallah ncert solutions for class 9 science for more chapters of lakhmir singh chemistry class 9 solutions

lakhmir singh class 9 s chand class 9 solutions selfstudys - Aug 03 2022

web physics 2 chemistry 3 biology lakhmir singh class 9 solutions are considered an extremely helpful source for exam preparation we provide its users access to a profuse supply of questions with their solutions

[science for ninth class part 2 chemistry google](#) - Apr 11 2023

web science for ninth class part 2 chemistry lakhmir singh s chand publishing science a series of six books for classes ix and x according to the cbse syllabus each class divided into 3 parts part 1 physics

download free pdf of s chand for class 9 ix standard chemistry - Nov 06 2022

web jun 23 2020 pages 264 series science for ninth class 9 ix standard chemistry cce pattern part 2 cbse ncert value based question answers file pdf 35 11 mb class 9th books reactions newer download the free pdf of s chand biology class 9th older download free pdf of pearson iit foundation series chemistry

lakhmir singh chemistry class 9 solutions free download - Jul 02 2022

web sep 12 2023 free pdf download of chapter wise lakhmir singh chemistry class 9 solutions solved by expert teachers clear your doubts by registering online tuitions on vedantu com and score more marks in your exams

lakhmir singh chemistry class 9 solutions for chapter 2 is - Apr 30 2022

web lakhmir singh solutions for class 9 chemistry chapter 2 is matter around us pure are provided here in pdf matter is anything that has mass and occupies space it may be solid liquid or gas all the matter around us is not pure matter exists in two types pure substances and mixtures

s chand class ix chemistry s chand flipkart com - Dec 27 2021

web buy s chand class ix chemistry only for rs from flipkart com only genuine products 30 day replacement guarantee free shipping cash on delivery

lakhmir singh chemistry class 9 solutions chapter wise shaalaa - Oct 05 2022

web get free chapter wise lakhmir singh chemistry class 9 solutions solved by an expert based on the latest syllabus at shaalaa com learn improve your skills 0 cbse english medium class 9

label and annotate the diagram of the female reproductive system quizlet - Dec 07 2022

web definition provides protection nutrients and waste removal for the developing fetus muscular walls contract to aid birthing process location term b fallopian tube definition connects the ovary to the uterus fertilization of the egg occurs here

answered draw a well labelled diagram of female bartleby - Oct 05 2022

web a anisogamous reproduction is a type of reproduction in which male and female gametes are different in q draw a well labeled diagram of female reproductive system and mention its parts a reproductive system or genital system is involved in sexual reproduction the male and female

well label diagram of female gamete pdf - Jun 01 2022

web well label diagram of female gamete 3 3 available questions from the pisa surveys some of these questions were used in the pisa 2000 2003 and 2006 surveys and others were used in developing and trying out the assessment molecular biology of the cell oswaal books and learning private limited it includes specimen paper solved 10

gamete wikipedia - Jun 13 2023

web in short a gamete is an egg cell female gamete or a sperm male gamete in animals ova mature in the ovaries of females

and sperm develop in the testes of males during fertilization a spermatozoon and ovum unite to form a new diploid organism

what is gametophyte male gametophyte female gametophyte - Jan 08 2023

web the female gametophyte is also called the embryo sac it is the haploid stage that produces female gametes the female gametophyte is present inside the ovule

welllabeldiagramoffemalegamete 2022 sshauth strayos - Dec 27 2021

web the male gamete oswaal cbse one for all class 10 english science social science math basic set of 4 books for 2023 exam embryology of angiosperms gamete surfaces and their interactions mathematics for biological scientists evolution of primary producers in the sea encyclopedia of ecology anatomy and physiology brenner s

downloadable free pdfs well label diagram of female gamete - Apr 30 2022

web well label diagram of female gamete as recognized adventure as skillfully as experience very nearly lesson amusement as with ease as settlement can be gotten by just checking out a book well label diagram of female gamete plus it

draw a labelled diagram to explain the female reproductive system - Mar 10 2023

web jul 25 2017 expert answer in human females a pair of ovaries is located in the abdominal cavity near the kidney the ovaries perform dual function of i production of female gamete ovum and ii secretion of female hormones estrogen and progesterone each ovary is composed of ovarian follicles

explain in detail the process of development of female toppr - Aug 03 2022

web different stages of development of female gametophyte are 1 in the nucleus of a developing ovule one diploid cell develops into a diploid megaspore mother cell 2 this megaspore mother cell divides by meiosis to produce four haploid megaspores which are arranged in a linear tetrad

well label diagram of female gamete knockinc com - Mar 30 2022

web jan 4 2023 4728788 well label diagram of female gamete 2 21 downloaded from knockinc com on by guest biology to develop models of biological processes mathematics for biological scientists fully integrates mathematics and biology with the use of colour illustrations and photographs to provide an engaging and informative approach to

well label diagram of female gamete - Jul 02 2022

web download and install the well label diagram of female gamete it is very simple then past currently we extend the associate to buy and create bargains to download and install well label diagram of female gamete as a result simple oswaal cbse class 10 science question bank 2023 24 book oswaal editorial board 2022 12 29

ebook well label diagram of female gamete - Aug 15 2023

web well label diagram of female gamete the science orbit biology 08 aug 15 2020 the series provides a body of knowledge methods and techniques that characterize science and technology so that students use these efficiently a conscious attempt

has been meeting to help students experience science in

draw a neat diagram of the female reproductive system and label - Sep 04 2022

web draw a neat diagram of the female reproductive system and label the parts associated with the following a production of gamete b site of fertilisation c site of implantation and d birth canal byju s answer

draw a neat diagram of the female reproductive system and label - Feb 09 2023

web draw a neat diagram of the female reproductive system and label the parts associated with the following a production of gametes b site of fertilization c site of implantation and d birth

draw a labelled diagram of female reproductive system - Feb 26 2022

web ncert draw a labelled diagram of female reproductive system biology cbse 12 class ncert biology textbook for class xii human reproduction 3

well label diagram of female gamete pdf full pdf support ortax - Jul 14 2023

web christopher j de jonge 2006 04 06 originally published in 2006 this is a comprehensive and definitive account of the human male gamete the volume summarizes many unique and revealing characteristics of the sperm cell

gametes and fertilisation the human reproductive system bbc - Apr 11 2023

web gametes and fertilisation the human reproductive system 3rd level science revision bbc bitesize 3rd level the human reproductive system the human reproductive system is different in males

female gametes overview production process study com - May 12 2023

web nov 19 2021 find out about female gametes in humans and plants understand female gamete production learn about female gametes contribution to the oogenesis

well label diagram of female gamete uniport edu - Jan 28 2022

web apr 9 2023 well label diagram of female gamete 2 6 downloaded from uniport edu ng on april 9 2023 by guest excellent approach to master the subject the book has 10 key ingredients that will help you achieve success 1 chapter utility score cus 2 exhaustive theory with concept maps 3 text book exercises 4 vsa sa la questions 5

draw the diagram of a flower and label the four whorls write the - Nov 06 2022

web jun 1 2017 the diagram of a flower and label the whorls are gametes producing organs anthers part of androecium male gametes what is the number of chromosomes in the female gamete asked jun 1 2017 in biology by kundun kumar 51 6k points how do organisms reproduce 1 vote 1 answer