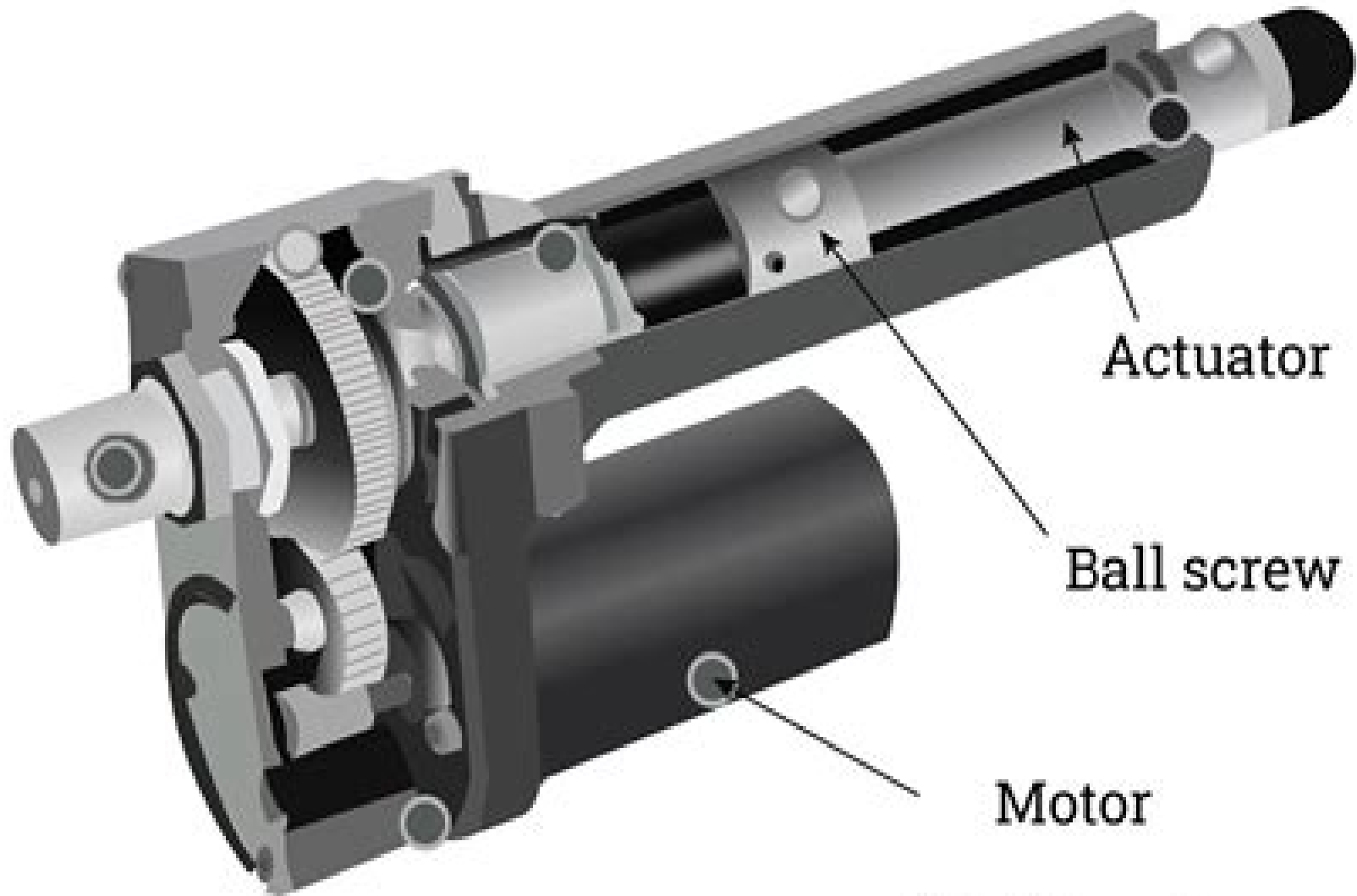


Electric Actuator



Instrumentation And Control Tutorial 2 Electric Actuators

Myer Kutz



Instrumentation And Control Tutorial 2 Electric Actuators:

Thank you for reading **Instrumentation And Control Tutorial 2 Electric Actuators**. Maybe you have knowledge that, people have look numerous times for their favorite readings like this Instrumentation And Control Tutorial 2 Electric Actuators, but end up in harmful downloads.

Rather than enjoying a good book with a cup of coffee in the afternoon, instead they are facing with some harmful bugs inside their laptop.

Instrumentation And Control Tutorial 2 Electric Actuators is available in our digital library an online access to it is set as public so you can get it instantly.

Our digital library spans in multiple locations, allowing you to get the most less latency time to download any of our books like this one.

Kindly say, the Instrumentation And Control Tutorial 2 Electric Actuators is universally compatible with any devices to read

https://py.bijouxmedusa.com/results/detail/Download_PDFS/Blog%20Monetization%20Tips%20America%2077%202647%20Blog%20Monetization%20Tips%20USA%2077%205.pdf

Table of Contents Instrumentation And Control Tutorial 2 Electric Actuators

1. Understanding the eBook Instrumentation And Control Tutorial 2 Electric Actuators
 - The Rise of Digital Reading Instrumentation And Control Tutorial 2 Electric Actuators
 - Advantages of eBooks Over Traditional Books
2. Identifying Instrumentation And Control Tutorial 2 Electric Actuators
 - Exploring Different Genres
 - Considering Fiction vs. Non-Fiction
 - Determining Your Reading Goals
3. Choosing the Right eBook Platform
 - Popular eBook Platforms
 - Features to Look for in an Instrumentation And Control Tutorial 2 Electric Actuators
 - User-Friendly Interface

4. Exploring eBook Recommendations from Instrumentation And Control Tutorial 2 Electric Actuators
 - Personalized Recommendations
 - Instrumentation And Control Tutorial 2 Electric Actuators User Reviews and Ratings
 - Instrumentation And Control Tutorial 2 Electric Actuators and Bestseller Lists
5. Accessing Instrumentation And Control Tutorial 2 Electric Actuators Free and Paid eBooks
 - Instrumentation And Control Tutorial 2 Electric Actuators Public Domain eBooks
 - Instrumentation And Control Tutorial 2 Electric Actuators eBook Subscription Services
 - Instrumentation And Control Tutorial 2 Electric Actuators Budget-Friendly Options
6. Navigating Instrumentation And Control Tutorial 2 Electric Actuators eBook Formats
 - ePub, PDF, MOBI, and More
 - Instrumentation And Control Tutorial 2 Electric Actuators Compatibility with Devices
 - Instrumentation And Control Tutorial 2 Electric Actuators Enhanced eBook Features
7. Enhancing Your Reading Experience
 - Adjustable Fonts and Text Sizes of Instrumentation And Control Tutorial 2 Electric Actuators
 - Highlighting and Note-Taking Instrumentation And Control Tutorial 2 Electric Actuators
 - Interactive Elements Instrumentation And Control Tutorial 2 Electric Actuators
8. Staying Engaged with Instrumentation And Control Tutorial 2 Electric Actuators
 - Joining Online Reading Communities
 - Participating in Virtual Book Clubs
 - Following Authors and Publishers Instrumentation And Control Tutorial 2 Electric Actuators
9. Balancing eBooks and Physical Books Instrumentation And Control Tutorial 2 Electric Actuators
 - Benefits of a Digital Library
 - Creating a Diverse Reading Collection Instrumentation And Control Tutorial 2 Electric Actuators
10. Overcoming Reading Challenges
 - Dealing with Digital Eye Strain
 - Minimizing Distractions
 - Managing Screen Time
11. Cultivating a Reading Routine Instrumentation And Control Tutorial 2 Electric Actuators
 - Setting Reading Goals Instrumentation And Control Tutorial 2 Electric Actuators
 - Carving Out Dedicated Reading Time

12. Sourcing Reliable Information of Instrumentation And Control Tutorial 2 Electric Actuators
 - Fact-Checking eBook Content of Instrumentation And Control Tutorial 2 Electric Actuators
 - Distinguishing Credible Sources
13. Promoting Lifelong Learning
 - Utilizing eBooks for Skill Development
 - Exploring Educational eBooks
14. Embracing eBook Trends
 - Integration of Multimedia Elements
 - Interactive and Gamified eBooks

Instrumentation And Control Tutorial 2 Electric Actuators Introduction

Free PDF Books and Manuals for Download: Unlocking Knowledge at Your Fingertips In today's fast-paced digital age, obtaining valuable knowledge has become easier than ever. Thanks to the internet, a vast array of books and manuals are now available for free download in PDF format. Whether you are a student, professional, or simply an avid reader, this treasure trove of downloadable resources offers a wealth of information, conveniently accessible anytime, anywhere. The advent of online libraries and platforms dedicated to sharing knowledge has revolutionized the way we consume information. No longer confined to physical libraries or bookstores, readers can now access an extensive collection of digital books and manuals with just a few clicks. These resources, available in PDF, Microsoft Word, and PowerPoint formats, cater to a wide range of interests, including literature, technology, science, history, and much more. One notable platform where you can explore and download free Instrumentation And Control Tutorial 2 Electric Actuators PDF books and manuals is the internet's largest free library. Hosted online, this catalog compiles a vast assortment of documents, making it a veritable goldmine of knowledge. With its easy-to-use website interface and customizable PDF generator, this platform offers a user-friendly experience, allowing individuals to effortlessly navigate and access the information they seek. The availability of free PDF books and manuals on this platform demonstrates its commitment to democratizing education and empowering individuals with the tools needed to succeed in their chosen fields. It allows anyone, regardless of their background or financial limitations, to expand their horizons and gain insights from experts in various disciplines. One of the most significant advantages of downloading PDF books and manuals lies in their portability. Unlike physical copies, digital books can be stored and carried on a single device, such as a tablet or smartphone, saving valuable space and weight. This convenience makes it possible for readers to have their entire library at their fingertips, whether they are commuting, traveling, or simply enjoying a lazy afternoon at home. Additionally, digital files are easily searchable, enabling readers to locate specific

information within seconds. With a few keystrokes, users can search for keywords, topics, or phrases, making research and finding relevant information a breeze. This efficiency saves time and effort, streamlining the learning process and allowing individuals to focus on extracting the information they need. Furthermore, the availability of free PDF books and manuals fosters a culture of continuous learning. By removing financial barriers, more people can access educational resources and pursue lifelong learning, contributing to personal growth and professional development. This democratization of knowledge promotes intellectual curiosity and empowers individuals to become lifelong learners, promoting progress and innovation in various fields. It is worth noting that while accessing free Instrumentation And Control Tutorial 2 Electric Actuators PDF books and manuals is convenient and cost-effective, it is vital to respect copyright laws and intellectual property rights. Platforms offering free downloads often operate within legal boundaries, ensuring that the materials they provide are either in the public domain or authorized for distribution. By adhering to copyright laws, users can enjoy the benefits of free access to knowledge while supporting the authors and publishers who make these resources available. In conclusion, the availability of Instrumentation And Control Tutorial 2 Electric Actuators free PDF books and manuals for download has revolutionized the way we access and consume knowledge. With just a few clicks, individuals can explore a vast collection of resources across different disciplines, all free of charge. This accessibility empowers individuals to become lifelong learners, contributing to personal growth, professional development, and the advancement of society as a whole. So why not unlock a world of knowledge today? Start exploring the vast sea of free PDF books and manuals waiting to be discovered right at your fingertips.

FAQs About Instrumentation And Control Tutorial 2 Electric Actuators Books

What is a Instrumentation And Control Tutorial 2 Electric Actuators PDF? A PDF (Portable Document Format) is a file format developed by Adobe that preserves the layout and formatting of a document, regardless of the software, hardware, or operating system used to view or print it. **How do I create a Instrumentation And Control Tutorial 2 Electric Actuators PDF?** There are several ways to create a PDF: Use software like Adobe Acrobat, Microsoft Word, or Google Docs, which often have built-in PDF creation tools. Print to PDF: Many applications and operating systems have a "Print to PDF" option that allows you to save a document as a PDF file instead of printing it on paper. Online converters: There are various online tools that can convert different file types to PDF. **How do I edit a Instrumentation And Control Tutorial 2 Electric Actuators PDF?** Editing a PDF can be done with software like Adobe Acrobat, which allows direct editing of text, images, and other elements within the PDF. Some free tools, like PDFescape or Smallpdf, also offer basic editing capabilities. **How do I convert a Instrumentation And Control Tutorial 2 Electric Actuators PDF to another file format?** There

are multiple ways to convert a PDF to another format: Use online converters like Smallpdf, Zamzar, or Adobe Acrobat's export feature to convert PDFs to formats like Word, Excel, JPEG, etc. Software like Adobe Acrobat, Microsoft Word, or other PDF editors may have options to export or save PDFs in different formats. **How do I password-protect a Instrumentation And Control Tutorial 2 Electric Actuators PDF?** Most PDF editing software allows you to add password protection. In Adobe Acrobat, for instance, you can go to "File" -> "Properties" -> "Security" to set a password to restrict access or editing capabilities. Are there any free alternatives to Adobe Acrobat for working with PDFs? Yes, there are many free alternatives for working with PDFs, such as: LibreOffice: Offers PDF editing features. PDFsam: Allows splitting, merging, and editing PDFs. Foxit Reader: Provides basic PDF viewing and editing capabilities. How do I compress a PDF file? You can use online tools like Smallpdf, ILovePDF, or desktop software like Adobe Acrobat to compress PDF files without significant quality loss. Compression reduces the file size, making it easier to share and download. Can I fill out forms in a PDF file? Yes, most PDF viewers/editors like Adobe Acrobat, Preview (on Mac), or various online tools allow you to fill out forms in PDF files by selecting text fields and entering information. Are there any restrictions when working with PDFs? Some PDFs might have restrictions set by their creator, such as password protection, editing restrictions, or print restrictions. Breaking these restrictions might require specific software or tools, which may or may not be legal depending on the circumstances and local laws.

Find Instrumentation And Control Tutorial 2 Electric Actuators :

[blog monetization tips America 77-2647](#) [blog monetization tips USA 77-522](#)
[finance software for creators 77-1116](#) [personal finance software for](#)
[77-302](#) [wearable technology guide USA 77-1671](#) [wearable technology guide](#)
[fitness routines guide for creators 77-2718](#) [fitness routines guide for](#)
[77-1567](#) [crypto trading roadmap for small business 77-1766](#) [crypto trading](#)
[entrepreneurs 77-1187](#) [smart home tech review for entrepreneurs 77-2128](#)
[for startups 77-1621](#) [career growth ideas for small business 77-1670](#)
startups 77-1036 **Instagram growth checklist for startups 77-2938**
[entrepreneurs 77-1933](#) [productivity hacks tutorial USA 77-234](#) [real estate](#)
[for startups 77-764](#) [luxury travel review America 77-704](#) [luxury travel](#)
[strategy apps for startups 77-2779](#) [SEO strategy best practices America](#)
[case study USA 77-2217](#) [blockchain development case study United States](#)
[77-1704](#) [personal finance step by step for entrepreneurs 77-743](#) [personal](#)

entrepreneurs 77-540 real estate investing step by step America 77-1291

software for small business 77-1536 Instagram growth step by step USA

Instrumentation And Control Tutorial 2 Electric Actuators :

stanley kubrick s napoleon the greatest movie never made - Jan 28 2022

web the greatest movie never made ten books in one tell the strange tale of kubrick s unfilmed masterpiece tucked inside of a carved out book all the elements from stanley kubrick s archives that readers need to imagine what his unmade film about the emperor might have been like including a facsimile of the script

stanley kubrick s napoleon the greatest movie never made - Feb 09 2023

web for 40 years kubrick fans and film buffs have wondered about the director s mysterious unmade film on napoleon bonaparte slated for production immediately following the release of 2001 a space odyssey kubrick s napoleon was to be at once a character study and a sweeping epic replete with grandiose battle scenes featuring thousands of
the 10 greatest movies never made dw 06 15 2018 - Oct 05 2022

web jun 15 2018 stanley kubrick s film project napoleon has been dubbed the greatest movie never made dw revisits its story as well as other ambitious works that never or barely made it to the

stanley kubrick s napoleon the greatest movie never made ju - Apr 30 2022

web stanley kubrick s napoleon the greatest movie never made ju jumbo castle alison amazon com tr kitap

stanley kubrick s napoleon the greatest movie never made - Jun 13 2023

web apr 1 2011 stanley kubrick s napoleon the greatest movie never made hardcover download adobe reader april 1 2011 french edition by alison castle editor 4 6 112 ratings see all formats and editions hardcover the fascinating tale of kubrick s unfilmed masterpiece now available in an unlimited single volume edition

stanley kubrick s napoleon the greatest movie never made - Jul 14 2023

web english german french 1112 p 36 cm screenplay and source material for an unproduced motion picture this single volume publication is based on the original limited collector s edition which featured 10 books hidden inside a carved out reproduction of a napoleon history book

stanley kubrick s napoleon the greatest movie never made - Sep 04 2022

web stanley kubrick s napoleon the greatest movie never made alison castle taschen 2018 art 832 pages during the post production of 2001 a space odyssey stanley kubrick began

kubrick s napoleon the greatest movie never made - Apr 11 2023

web stanley kubrick s napoleon the greatest movie never made edited by alison castle is published by taschen

[stanley kubrick s napoleon the greatest movie never made](#) - Jun 01 2022

web 22k views 13 years ago for many years it was rumored that kubrick had planned to follow up 2001 a space odyssey with a film about napoleon in 2009 taschen put the rumors to rest with an

napoleon the greatest movie stanley kubrick never made - Jul 02 2022

web aug 1 2012 napoleon the greatest movie stanley kubrick never made in film august 1st 2012 3 comments 901 think about all the big cinematic ideas stanley kubrick realized dr strangelove 2001 a clockwork orange

stanley kubrick s napoleon the greatest movie never made - Nov 06 2022

web publisher s summary the greatest movie never made is the fascinating tale of kubrick s unfilmed masterpiece it is now available in an unlimited single volume edition for 40 years kubrick fans and film buffs have wondered about the director s mysterious unmade film on napoleon bonaparte

stanley kubrick s napoleon the greatest movie never made - Feb 26 2022

web 0 00 24 24 intro stanley kubrick s napoleon the greatest movie never made cinemaniacseventy7 4 28k subscribers subscribe 43k views 10 years ago a close look

was napoleon the greatest film never made bbc culture - Aug 15 2023

web aug 15 2019 stanley kubrick s biopic of napoleon bonaparte is regularly hailed by critics as the most tantalising unfinished picture of all time writes nicholas barber t the stanley kubrick

stanley kubrick s napoleon the greatest movie never made - Aug 03 2022

web nov 15 2017 stanley kubrick s napoleon the greatest movie never made hardcover 15 nov 2017 by alison castle editor 4 6 4 6 out of 5 stars 112 ratings

stanley kubrick s napoleon the greatest movie never made - Mar 10 2023

web apr 1 2011 stanley kubrick s napoleon the greatest movie never made hardcover 1 april 2011 french edition by alison castle editor thomas j kinne translator alice petillot translator 4 6 113 ratings see all formats and editions the fascinating tale of kubrick s unfilmed masterpiece now available in an unlimited single volume edition

stanley s kubrick napoleon the greatest movie never made - Jan 08 2023

web stanley s kubrick napoleon the greatest movie never made napoleon org from the publishers for 40 years kubrick fans and film buffs have wondered about the director s mysterious unmade film on napoleon bonaparte

coming soon stanley kubrick s napoleon the greatest movie never - Dec 07 2022

web a weighty new tri lingual tome stanley kubrick s napoleon the greatest movie never made is soon to be published by taschen covering the story of the greatest film that never was stanley kubrick s proposed epic retelling of napoleon bonaparte s life and the battles of the french empire kubrick famous for his obsessive attention to detail

stanley kubrick s napoleon the greatest movie never made goodreads - Mar 30 2022

web feb 1 2009 the fascinating tale of kubrick s unfilmed masterpiece now available in an unlimited single volume edition for 40 years kubrick fans and film buffs have wondered about the director s mysterious unmade film on napoleon bonaparte *stanley kubrick s napoleon the greatest movie never made* - May 12 2023

web stanley kubrick s napoleon the greatest movie never made kapak deęişebilir alison castle amazon com tr kitap kitap **le napoléon de stanley kubrick le plus grand film taschen** - Dec 27 2021

web film stanley kubrick s napoleon the greatest movie never made 1 7 while the film never made it to the silver screen the book gives a unique insight into kubrick s vision this is a place for future directors to begin atlas le napoléon de stanley kubrick le plus grand film jamais tourné

audi a6 c4 typ 4a 1994 1997 workshop manual wiring - Aug 08 2022

web audi a6 c4 typ 4a 1994 1997 workshop manual wiring diagrams available for free viewing pdf

audi a6 owner s manual pdf 2011 2024 manual directory - May 05 2022

web download audi a6 owner s manuals free of charge in pdf format for the years 2011 to 2024 view the audi a6 manual online print or download it to keep on your computer

audi a6 repair service manuals 81 pdf s - Feb 14 2023

web audi a6 owners manual covering weekly checks audi a6 workshop manual covering lubricants fluids and tyre pressures audi a6 service pdf s covering routine maintenance and servicing detailed audi a6 engine and associated service systems for repairs and overhaul pdf audi a6 transmission data service manual pdf

audi a6 c4 1994 1995 1996 1997 repair manual factory manuals - Nov 11 2022

web apr 14 2015 audi a6 c4 1994 1995 1996 1997 factory repair manual read more and download audi a6 c4 typ 4a1994 1995 1996 1997 repair manual download audi a6 c4 is medium sized car that is designed in the year 1994 this model has a lot of attractive features to grab the attention of clients

audi a6 workshop repair manual download workshop manuals - Jul 19 2023

web audi a6 service manual includes step by step instructions with detailed illustrations drawings diagrams and the explanations necessary to carry out the repair servicing and maintenance of your audi a6 vehicle covers audi a5 1994 to 2017 c4 type 4a 1994 1997 engine 1 8 l 2 0 l 2 2 l i5 turbo 2 3 l i5 2 6 l v6 2 8 l v6 4 2 l v8 1 9 l i4

audi a6 c4 tdi workshop manual by freemail37 issuu - Mar 03 2022

web dec 22 2017 read audi a6 c4 tdi workshop manual by freemail37 on issuu and browse thousands of other publications on our platform start here

audi a6 workshop manual 1994 1997 c4 typ 4a free factory service manual - Apr 16 2023

web factory workshop manual for the audi a6 suit c4 typ 4a chassis vehicles covers all aspects of maintenance and repair including rebuild information for engine gearbox driveline chassis suspension steering body panels interior components and electronics including wiring diagrams and diagnostic information

audi workshop and owners manuals free car repair manuals - Apr 04 2022

web audi workshop repair manuals owners manuals and other free downloads please select your audi vehicle below 100 200 50 80 90 a1 a2 a3 a4 a4 allroad a5 a6 a6 allroad a7 a8 cabriolet coupÃ coupe q3 q5 q7 quattro r8 rs2 rs2 avant rs3 rs4 rs5 rs6 rs7 rsq3 s1 s2 s3 s4 s5 s6 s7 s8 sport quattro sq5 tt tt rs tts v6 v8 workshop

audi a6 repair manual pdf download manualslib - Mar 15 2023

web automobile audi a6 quick reference manual 4 pages automobile audi a6 allroad quick reference manual 9 pages automobile audi a6 allroad quattro pricing and specification manual 52 pages automobile audi a6 05 323 service self study programme 323 76 pages automobile audi a6 2005 electrics service training

audi a6 service repair manual audi a6 pdf downloads motor era - Oct 10 2022

web complete list of audi a6 auto service repair manuals audi a6 c5 1998 2004 workshop repair service manual pdf 1994 audi a6 c4 4a service and repair manual audi a6

audi a6 c4 and c5 1994 2004 service and repair manuals - May 17 2023

web nov 20 2023 this bentley workshop manual on the audi a6 s6 and rs6 c5 provides detailed instructions for work on the engines mechanical part distribution valves ignition starter alternator and cooling system

audi a6 1994 2018 workshop repair manuals free download - Oct 22 2023

web audi a6 c7 4g 2011 2018 workshop manuals wiring diagrams audi a6 c7 4g maintenance edition 06 2015 download audi a6 c7 4g maintenance edition 12 2018 download audi a6 c7 4g technical data for engines download audi a6 c7 4g technical data for diesel engines download

audi a6 1994 2021 workshop repair manual download - Jan 13 2023

web audi a6 workshop repair manual download the same audi a6 manual used by all audi main dealer garages worldwide covers years 1994 to 2021 compatibility the audi a6 workshop repair and service manual is compatible with windows 7 8 10 11 xp vista mac and linux download now category audi description audi a6 workshop repair

audi a6 c4 manuals - Jun 18 2023

web user s manuals 1 add czech 1 manual a6 c4 1994 cz pdf 178 pages repair manuals 20 add german 1 1994 audi ssp153 1 9 l tdi motor mit abgasreinigung pdf 41 pages german 2 1995 audi ssp171 antiblockiersystem teves 20gi mit elektronischer differentialsperre eds pdf 41 pages russian 3 1997 audi a6 repair manual djvu 92 pages

audi 100 a6 1990 1997 repair and operation manual audiworld - Jul 07 2022

web mar 16 2012 audi 100 a6 c4 platform audi 100 a6 1990 1997 repair and operation manual audi a6 c6 user manual
adrian825 a6 s6 c6 platform discussion 1 08 02 2013 12 49 pm a6 configurator online teddyoh a6 c7 platform discussion 3 06
24 2011 05 18 pm

audi a6 c4 repair manuals manuals audi - Dec 12 2022

web 1997 audi a6 repair manual djvu audi 100 a6 electrical wiring diagrams pdf audi a6 1994 1997 factory service manual
zip audi wheels and tyres pdf audi a6 c4 umbau zusatzinstrumente pdf ssp224 wartungs intervallverlaengerung pdf ssp209
1999 audi motor 1 9l tdi cu sistem de injectie injector pom

audi a6 pdf workshop and repair manuals carmanualshub com - Sep 09 2022

web jul 13 2018 audi a6 pdf workshop service and repair manuals wiring diagrams parts catalogue fault codes free
download carmanualshub com automotive pdf manuals wiring diagrams fault codes reviews car manuals and news

audi a6 free workshop and repair manuals - Sep 21 2023

web audi a6 workshop repair and owners manuals for all years and models free pdf download for thousands of cars and
trucks

audi workshop service and repair manuals - Jun 06 2022

web quattro coupe 8j3 l4 2 0l turbo cdma 2011 quattro coupe l4 2 0l turbo cdma 2010 quattro roadster l4 2 0l turbo cdma
2009 acura honda workshop service and repair manuals bmw workshop service and repair manuals workshop repair and
service manuals audi all models free online

audi a6 c4 typ 4a 1994 1997 free pdf factory service manual - Aug 20 2023

web covers all aspects of vehicle maintenance repair and rebuild guides for engine gearbox differential steering suspension
brakes exterior body interior fittings and electrical components including wiring diagrams troubleshooting and diagnostics
download workshop manual pdf format audi a6 vehicle information

co2 mag mig tig otc daihen inc robotic welding - Feb 23 2023

robotic arc welding systems the fd b6 arc welding robot represents the newest in robotic innovations sporting a unique
design with a through arm coaxial cable this robot is

6 axis robots otc daihen - Aug 20 2022

our industrial robots offer you flexible and scalable automation solutions of all kinds in addition to industrial robots the
portfolio also includes special welding robots as well as positioners

fd b6 otc daihen asia co ltd - May 17 2022

jul 23 2010 156 24 tem 2010 2 otc gayet sağlam ve hem yazılımsal hem de donanımsal olarak kolay bir robot gazaltı kaynağı
uygulamaları güzel ancak türkiye de çok yaygın değil

[daihen otc almega ax series instruction manual](#) - May 29 2023

manuals and user guides for daihen otc almega ax series we have 1 daihen otc almega ax series manual available for free pdf download instruction manual daihen otc almega

ax c otc daihen europe gmbh pdf - Dec 24 2022

a robot welder that i can integrate a complete robotic welding system to improve manual welding production solutions robotic welding cells welding robots welding power

robotic welding basics e p 01 f t otc daihen robot - Jul 19 2022

arc welding robot spot welding robot multipurpose robot high accuracy robot positioner slider robot sensor additional □ □□□ □□ □ □□□□ □ □□□□□ □ □□□□ □ □□□□ □□ training class

how to program the fd series welding robot video tutorial - Nov 22 2022

otc welding machine knowledge aw 12 original otc water coole introduction of otc old water introduction of otc original w aw 18 water cooled welding tor awx 2081 argon

how to automate welding processes otc daihen blog - Jan 13 2022

this content is password protected to view it please enter your password below password

otc robotlar hakkında kontrol kalemi forumları - Mar 15 2022

apr 6 2022 at otc daihen you have one number to call 888 otc robo 888 682 7626 our factory trained expert technicians will help resolve issues with the welding power source

daihen robotic site □□□□□□□□□□ - Dec 12 2021

product manuals otc daihen - Oct 02 2023

may 13 2022 find otc daihen product manuals for robots welding power sources manual torches and more both legacy and current model product documentation and literature are

complete robotic arc welding systems otc daihen - Jan 25 2023

apr 25 2023 how to program the fd series welding robot video tutorial posted by otc daihen on april 25 2023 jason robinson otc daihen assistant manager of technical

otc daihen inc robotic welding solutions - Oct 22 2022

otc daihen the world s no 1 manufacturer of welding robots offers two variations of the 6 axis industrial robot both the v conventional wrist and b hollow through arm wrist provide

daihen otc manuals robotic automation - Nov 10 2021

otc robot anhui oujie automation technology co ltd - Feb 11 2022

introducing daihen s industrial robots you can see daihen s industrial robots in automotive production lines not only japan but worldwide our robots provide welding and material

daihen otc fd19 quick start manual pdf - Mar 27 2023

before operating thoroughly read this instruction manual and operate this unit correctly caution note mentioned in this manual is to use the equipment safely and prevent danger and damage

203 7 52 27 5 1 6 67 06 otc daihen - Jun 29 2023

otc 5 complete robotic arc welding systems 2021 author otc daihen subject the fd b6 arc welding robot represents the newest in robotic innovations sporting a unique design

otc robot instruction general pdf welding construction - Apr 15 2022

introduction of teaching pendant fd19tp dsjnc of otc robot fd19 series this article mainly introduces the teaching pendant fd19tp dsjnc of the otc robot fd19 series its photos

daihen otc rt3500s instruction manual pdf - Sep 01 2023

view and download daihen otc rt3500s instruction manual online welding torch for robot coaxial power cable for robot shock sensor built in type for co2 mag otc rt3500s

manual download otc instructions welding machine otc - Sep 20 2022

otc robotic system with the basic integration along with manual clamping fixtures the most easy system for huge production requirement of simple jobs superb welding quality with

welding resource center otc daihen - Jul 31 2023

may 13 2022 a robot welder that i can integrate a complete robotic welding system to improve manual welding production solutions robotic welding cells welding robots

joining forces otc daihen europe gmbh - Jun 17 2022

3k views 7 pages otc robot instruction general uploaded by jim longfield a guide i had written to help new hires familiarize themselves with the otc robots we used on the floor

daihen otc almega ax series manuals manualslib - Apr 27 2023

page 3 content to be strengthened standardization of the latest safety functions standardization of handling functions easy to cooperate with other companies units