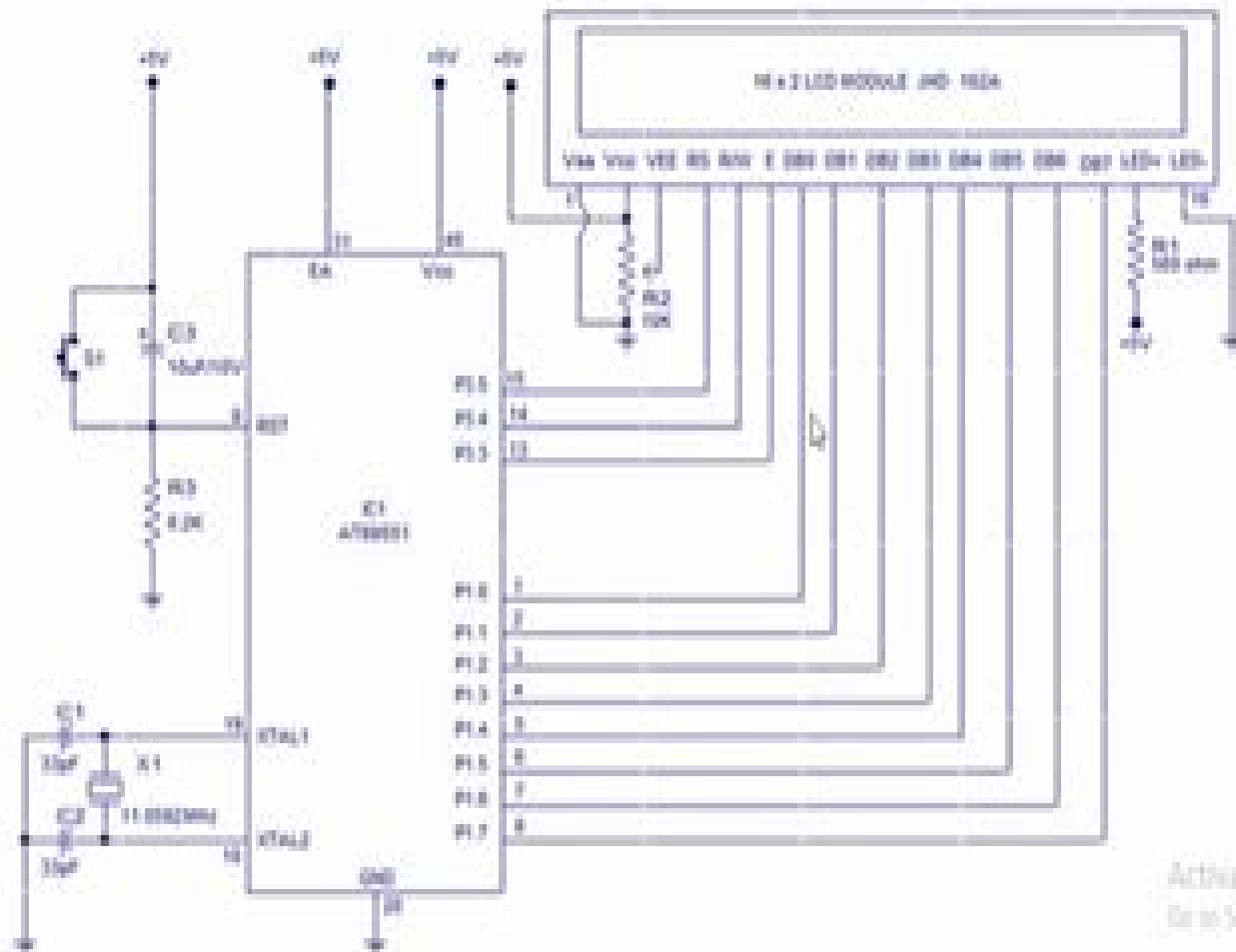


16x2 LCD interfacing to 8051 microcontroller



Interfacing 16x2 Lcd With 8051 Microcontroller Lcd Module

J Rink



Interfacing 16x2 Lcd With 8051 Microcontroller Lcd Module:

Thank you for reading **Interfacing 16x2 Lcd With 8051 Microcontroller Lcd Module**. As you may know, people have search hundreds times for their favorite readings like this Interfacing 16x2 Lcd With 8051 Microcontroller Lcd Module, but end up in harmful downloads.

Rather than reading a good book with a cup of tea in the afternoon, instead they cope with some infectious bugs inside their desktop computer.

Interfacing 16x2 Lcd With 8051 Microcontroller Lcd Module is available in our book collection an online access to it is set as public so you can get it instantly.

Our books collection saves in multiple countries, allowing you to get the most less latency time to download any of our books like this one.

Kindly say, the Interfacing 16x2 Lcd With 8051 Microcontroller Lcd Module is universally compatible with any devices to read

<https://py.bijouxmedusa.com/files/book-search/fetch.php/trends%20for%20small%20business%2069%201059%20credit%20s%20core%20improvement%20tutorial%20for.pdf>

Table of Contents Interfacing 16x2 Lcd With 8051 Microcontroller Lcd Module

1. Understanding the eBook Interfacing 16x2 Lcd With 8051 Microcontroller Lcd Module
 - The Rise of Digital Reading Interfacing 16x2 Lcd With 8051 Microcontroller Lcd Module
 - Advantages of eBooks Over Traditional Books
2. Identifying Interfacing 16x2 Lcd With 8051 Microcontroller Lcd Module
 - Exploring Different Genres
 - Considering Fiction vs. Non-Fiction
 - Determining Your Reading Goals
3. Choosing the Right eBook Platform
 - Popular eBook Platforms
 - Features to Look for in an Interfacing 16x2 Lcd With 8051 Microcontroller Lcd Module

- User-Friendly Interface
- 4. Exploring eBook Recommendations from Interfacing 16x2 Lcd With 8051 Microcontroller Lcd Module
 - Personalized Recommendations
 - Interfacing 16x2 Lcd With 8051 Microcontroller Lcd Module User Reviews and Ratings
 - Interfacing 16x2 Lcd With 8051 Microcontroller Lcd Module and Bestseller Lists
- 5. Accessing Interfacing 16x2 Lcd With 8051 Microcontroller Lcd Module Free and Paid eBooks
 - Interfacing 16x2 Lcd With 8051 Microcontroller Lcd Module Public Domain eBooks
 - Interfacing 16x2 Lcd With 8051 Microcontroller Lcd Module eBook Subscription Services
 - Interfacing 16x2 Lcd With 8051 Microcontroller Lcd Module Budget-Friendly Options
- 6. Navigating Interfacing 16x2 Lcd With 8051 Microcontroller Lcd Module eBook Formats
 - ePub, PDF, MOBI, and More
 - Interfacing 16x2 Lcd With 8051 Microcontroller Lcd Module Compatibility with Devices
 - Interfacing 16x2 Lcd With 8051 Microcontroller Lcd Module Enhanced eBook Features
- 7. Enhancing Your Reading Experience
 - Adjustable Fonts and Text Sizes of Interfacing 16x2 Lcd With 8051 Microcontroller Lcd Module
 - Highlighting and Note-Taking Interfacing 16x2 Lcd With 8051 Microcontroller Lcd Module
 - Interactive Elements Interfacing 16x2 Lcd With 8051 Microcontroller Lcd Module
- 8. Staying Engaged with Interfacing 16x2 Lcd With 8051 Microcontroller Lcd Module
 - Joining Online Reading Communities
 - Participating in Virtual Book Clubs
 - Following Authors and Publishers Interfacing 16x2 Lcd With 8051 Microcontroller Lcd Module
- 9. Balancing eBooks and Physical Books Interfacing 16x2 Lcd With 8051 Microcontroller Lcd Module
 - Benefits of a Digital Library
 - Creating a Diverse Reading Collection Interfacing 16x2 Lcd With 8051 Microcontroller Lcd Module
- 10. Overcoming Reading Challenges
 - Dealing with Digital Eye Strain
 - Minimizing Distractions
 - Managing Screen Time
- 11. Cultivating a Reading Routine Interfacing 16x2 Lcd With 8051 Microcontroller Lcd Module
 - Setting Reading Goals Interfacing 16x2 Lcd With 8051 Microcontroller Lcd Module

- Carving Out Dedicated Reading Time
- 12. Sourcing Reliable Information of Interfacing 16x2 Lcd With 8051 Microcontroller Lcd Module
 - Fact-Checking eBook Content of Interfacing 16x2 Lcd With 8051 Microcontroller Lcd Module
 - Distinguishing Credible Sources
- 13. Promoting Lifelong Learning
 - Utilizing eBooks for Skill Development
 - Exploring Educational eBooks
- 14. Embracing eBook Trends
 - Integration of Multimedia Elements
 - Interactive and Gamified eBooks

Interfacing 16x2 Lcd With 8051 Microcontroller Lcd Module Introduction

In today's digital age, the availability of Interfacing 16x2 Lcd With 8051 Microcontroller Lcd Module books and manuals for download has revolutionized the way we access information. Gone are the days of physically flipping through pages and carrying heavy textbooks or manuals. With just a few clicks, we can now access a wealth of knowledge from the comfort of our own homes or on the go. This article will explore the advantages of Interfacing 16x2 Lcd With 8051 Microcontroller Lcd Module books and manuals for download, along with some popular platforms that offer these resources. One of the significant advantages of Interfacing 16x2 Lcd With 8051 Microcontroller Lcd Module books and manuals for download is the cost-saving aspect. Traditional books and manuals can be costly, especially if you need to purchase several of them for educational or professional purposes. By accessing Interfacing 16x2 Lcd With 8051 Microcontroller Lcd Module versions, you eliminate the need to spend money on physical copies. This not only saves you money but also reduces the environmental impact associated with book production and transportation. Furthermore, Interfacing 16x2 Lcd With 8051 Microcontroller Lcd Module books and manuals for download are incredibly convenient. With just a computer or smartphone and an internet connection, you can access a vast library of resources on any subject imaginable. Whether you're a student looking for textbooks, a professional seeking industry-specific manuals, or someone interested in self-improvement, these digital resources provide an efficient and accessible means of acquiring knowledge. Moreover, PDF books and manuals offer a range of benefits compared to other digital formats. PDF files are designed to retain their formatting regardless of the device used to open them. This ensures that the content appears exactly as intended by the author, with no loss of formatting or missing graphics. Additionally, PDF files can be easily annotated, bookmarked, and searched for specific terms, making them highly practical for studying or referencing. When it comes to accessing Interfacing 16x2 Lcd With 8051 Microcontroller Lcd

Module books and manuals, several platforms offer an extensive collection of resources. One such platform is Project Gutenberg, a nonprofit organization that provides over 60,000 free eBooks. These books are primarily in the public domain, meaning they can be freely distributed and downloaded. Project Gutenberg offers a wide range of classic literature, making it an excellent resource for literature enthusiasts. Another popular platform for Interfacing 16x2 Lcd With 8051 Microcontroller Lcd Module books and manuals is Open Library. Open Library is an initiative of the Internet Archive, a non-profit organization dedicated to digitizing cultural artifacts and making them accessible to the public. Open Library hosts millions of books, including both public domain works and contemporary titles. It also allows users to borrow digital copies of certain books for a limited period, similar to a library lending system. Additionally, many universities and educational institutions have their own digital libraries that provide free access to PDF books and manuals. These libraries often offer academic texts, research papers, and technical manuals, making them invaluable resources for students and researchers. Some notable examples include MIT OpenCourseWare, which offers free access to course materials from the Massachusetts Institute of Technology, and the Digital Public Library of America, which provides a vast collection of digitized books and historical documents. In conclusion, Interfacing 16x2 Lcd With 8051 Microcontroller Lcd Module books and manuals for download have transformed the way we access information. They provide a cost-effective and convenient means of acquiring knowledge, offering the ability to access a vast library of resources at our fingertips. With platforms like Project Gutenberg, Open Library, and various digital libraries offered by educational institutions, we have access to an ever-expanding collection of books and manuals. Whether for educational, professional, or personal purposes, these digital resources serve as valuable tools for continuous learning and self-improvement. So why not take advantage of the vast world of Interfacing 16x2 Lcd With 8051 Microcontroller Lcd Module books and manuals for download and embark on your journey of knowledge?

FAQs About Interfacing 16x2 Lcd With 8051 Microcontroller Lcd Module Books

How do I know which eBook platform is the best for me? Finding the best eBook platform depends on your reading preferences and device compatibility. Research different platforms, read user reviews, and explore their features before making a choice. Are free eBooks of good quality? Yes, many reputable platforms offer high-quality free eBooks, including classics and public domain works. However, make sure to verify the source to ensure the eBook credibility. Can I read eBooks without an eReader? Absolutely! Most eBook platforms offer web-based readers or mobile apps that allow you to read eBooks on your computer, tablet, or smartphone. How do I avoid digital eye strain while reading eBooks? To prevent digital eye strain, take regular breaks, adjust the font size and background color, and ensure proper lighting while reading eBooks. What the advantage of interactive eBooks? Interactive eBooks incorporate multimedia elements, quizzes, and activities,

enhancing the reader engagement and providing a more immersive learning experience. Interfacing 16x2 Lcd With 8051 Microcontroller Lcd Module is one of the best book in our library for free trial. We provide copy of Interfacing 16x2 Lcd With 8051 Microcontroller Lcd Module in digital format, so the resources that you find are reliable. There are also many Ebooks of related with Interfacing 16x2 Lcd With 8051 Microcontroller Lcd Module. Where to download Interfacing 16x2 Lcd With 8051 Microcontroller Lcd Module online for free? Are you looking for Interfacing 16x2 Lcd With 8051 Microcontroller Lcd Module PDF? This is definitely going to save you time and cash in something you should think about.

Find Interfacing 16x2 Lcd With 8051 Microcontroller Lcd Module :

trends for small business 69-1059 credit score improvement tutorial for

[startups 69-2593 small business ideas explained America 69-2413 small](#)

[resume writing roadmap for startups 69-2854 resume writing software for](#)

for startups 69-35 ecommerce trends blueprint America 69-2079 ecommerce

[home tech roadmap for entrepreneurs 69-2424 smart home tech roadmap for](#)

[travel tips case study for small business 69-552 travel tips checklist](#)

69-1987 remote jobs best practices America 69-966 remote jobs best

[entrepreneurs 69-2061 smart home tech strategies for creators 69-1162](#)

travel checklist America 69-2686 luxury travel checklist USA 69-2483

[tutorial for entrepreneurs 69-1010 business automation tutorial for](#)

[affiliate marketing explained for small business 69-1890 affiliate](#)

minimalist lifestyle software USA 69-1993 minimalist lifestyle software

[69-1873 productivity hacks tips America 69-1947 productivity hacks tips](#)

[personal finance trends USA 69-18 personal finance trends United States](#)

remote jobs apps for entrepreneurs 69-1441 remote jobs apps for

Interfacing 16x2 Lcd With 8051 Microcontroller Lcd Module :

[uber erdoğan a ulaşmak için kimlerle görüştü dw 29 08 2022 - Jul 02 2022](#)

[web aug 29 2022 dw türkçe uber in erdoğan a ulaşmak için hangi bakanlarla görüştüğünü ortaya çıkardı uberfiles a göre](#)

[cuneyd zapsu nun şirketi de uber den 150 bin dolar istedi türkiye](#)

[wolken über paris by kajsa arnold audiobook audible ca - Feb 09 2023](#)

web wolken über paris as it s meant to be heard narrated by kajsa arnold discover the german audiobook at audible free trial available

ueber den wolken song and lyrics by worldfly spotify - Apr 30 2022

web listen to ueber den wolken on spotify worldfly song 2014 worldfly song 2014 listen to ueber den wolken on spotify worldfly song 2014 sign up log in home search your library create your first playlist it s easy we ll help you create playlist let s find some podcasts

wolken uber paris uniport edu ng - Dec 27 2021

web apr 13 2023 wolken uber paris 1 4 downloaded from uniport edu ng on april 13 2023 by guest wolken uber paris getting the books wolken uber paris now is not type of challenging means you could not lonely going like book stock or library or borrowing from your friends to entre them this is an definitely easy means to specifically acquire guide

wolken uber paris 2023 help environment harvard edu - Feb 26 2022

web wolken uber paris right here we have countless books wolken uber paris and collections to check out we additionally have the funds for variant types and with type of the books to browse the agreeable book fiction history novel scientific research as competently as various extra sorts of books are readily comprehensible here

wolken uber paris db udrive ae - Oct 05 2022

web wolken uber paris 1 wolken uber paris as recognized adventure as without difficulty as experience approximately lesson amusement as competently as concord can be gotten by just checking out a book wolken uber paris along with it is not directly done you could bow to even more roughly this life approximately the world

wolken über paris corbin rhiana amazon de bücher - Jul 14 2023

web wolken über paris taschenbuch 1 mai 2018 von rhiana corbin autor 438 sternebewertungen alle formate und editionen anzeigen hörbuch 0 00 gratis im audible probemonat fabienne hat vor jahren ihren mann und ihren sohn bei einem feuer verloren seitdem trägt ihr herz trauer

wolken uber paris wrbb neu edu - Nov 06 2022

web 2 wolken uber paris 2022 10 27 verb as in to uber somewhere and yet uber has wolken 252 ber paris audiobook by kajsa arnold rakuten 2 wolken uber paris german edition 2020 01 08 offering a series of innovative perspectives on nineteenth century capital and cultural output this study will be invaluable for all upper levels

wolken über paris by kajsa arnold overdrive - Apr 11 2023

web oct 11 2021 wolken über paris audiobook unabridged by kajsa arnold listen to a sample format audiobook edition unabridged author kajsa arnold publisher tresjoli release 11 october 2021 share subjects fiction romance suspense find this title in libby the library reading app by overdrive search for a digital library with this title

[wolken über paris von kajsa arnold hörbuch scribd](#) - Mar 10 2023

web hören sie wolken über paris von kajsa arnold mit einer kostenlosen testversion nhören sie hörbuch bestseller im internet mit ipad iphone und android fabienne hat vor jahren ihren mann und ihren sohn bei einem feuer verloren

wolken über paris by kajsa arnold is available in these libraries - Jan 08 2023

web back to wolken über paris find a digital library with wolken über paris near you search by city zip code or library name search learn more about precise location detection showing public libraries k 12 schools library name distance show all our apps libby sora kanopy teachingbooks help markets served

[wolken uber paris book help environment harvard edu](#) - Sep 04 2022

web wolken uber paris is affable in our digital library an online right of entry to it is set as public therefore you can download it instantly our digital library saves in multipart countries allowing you to acquire the most less latency times

wolken uber paris pdf 50storiesfortomorrow ilfu - Jan 28 2022

web nestled within the pages of wolken uber paris an enchanting fictional treasure full of raw emotions lies an immersive symphony waiting to be embraced constructed by a wonderful musician of language

[wolken über paris audiobook by kajsa arnold spotify](#) - Jun 13 2023

web listen to wolken über paris on spotify kajsa arnold audiobook 2021 34 songs

wolken über paris arnold kajsa amazon de bücher - Aug 15 2023

web wolken über paris von rhiana corbin ist eine tolle liebesgeschichte für zwischendurch mit seinen knapp 170 seiten und dem leichten schreibstil lässt sich das buch super an einem leseabend durchlesen die autorin hat paris als setting gewählt und auch wirklich schön beschrieben

wolken uber paris klantenhandboek dutchgiraffe com - Jun 01 2022

web wolken uber paris a charming fictional prize filled with fresh feelings lies an immersive symphony waiting to be embraced crafted by a wonderful musician of language that fascinating masterpiece conducts readers on a psychological trip well unraveling the hidden melodies and profound affect resonating within each carefully constructed phrase

wolken uber paris german edition book - Aug 03 2022

web uber is one of the most innovative companies of our time this book provides a detailed analysis of the company and its success beyond the headlines about safety and culture

paris a guide for getting around in the city uber - Dec 07 2022

web complete your plans today by reserving a ride with uber in paris request a ride up to 30 days in advance at any time and on any day of the year destination choose date and time 6 04 am reserve a ride reserve may not be available for your pickup location paris choose a ride uberx priority 1 4 faster pickup uberx 1 4 affordable everyday rides

wolken über paris by rhiana corbin open library - May 12 2023

web wolken über paris by rhiana corbin 2018 independently published edition in german deutsch

[earn money by driving or get a ride now uber turkey](#) - Mar 30 2022

web uber is finding you better ways to move work and succeed in turkey skip to main content uber log in sign up drive or deliver eat ride get in the driver s seat and get paid drive on the platform with the largest network of active riders sign up to drive learn more about driving and delivering

around the coast in eighty waves by jonathan bennett - Aug 12 2023

web from the isle of harris to the lizard peninsula from orkney to anglesey from sandwood bay to sussex he shared the waves with seals sewage and fellow surfers meeting friendly and not so friendly locals often alone and miles from civilization

aroundthecoastineightywavesenglishedition copy - Feb 23 2022

web around the coast in eighty waves english edition by jonathan around the coast in eighty waves english edition amazon around the coast in eighty waves english edition around the coast in eighty waves english edition kindle edition by bennett jonathan download it

[around the coast in eighty waves kindle edition amazon com au](#) - Nov 03 2022

web around the coast in eighty waves ebook bennett jonathan amazon com au kindle store

around the coast in eighty waves paperback 21 april - Jun 10 2023

web apr 21 2016 by jonathan bennett author 4 0 104 ratings see all formats and editions living in an old unheated t25 campervan for fourteen months including the coldest winter for thirty years jonathan bennett travelled clockwise round britain surfing every beach he could catch a wave

[reviews around the coast in eighty waves the storygraph](#) - Sep 01 2022

web jonathan bennett set himself a challenge of catching a wave on eighty separate beaches all around the uk that were suitable for surfing but first he needed a camper van having found one in hastings he sets off on his fourteen month journey around the uk

[around the coast in eighty waves paperback waterstones](#) - Feb 06 2023

web apr 21 2016 wittily written book on an under represented by popular sport the bookseller you can almost feel the salt on your face and the wind in your hair when you read jonathan bennett s around the coast in eighty waves a campervan adventure taking in some of britain s best surfing beaches

around the coast in eighty waves english edition kindle ausgabe - Jul 31 2022

web around the coast in eighty waves english edition ebook bennett jonathan amazon de kindle shop

[around the coast in eighty waves the storygraph](#) - Mar 07 2023

web content warnings this book doesn't have any content warnings yet if you're the author of this book and want to add author approved content warnings please email us at (mailto:email_protected) to request the content warning form

around the coast in eighty waves english edition kindle edition - May 09 2023

web [around the coast in eighty waves english edition ebook bennett jonathan amazon nl kindle store](#)

[around the coast in eighty waves softcover abebooks](#) - Jan 05 2023

web you can almost feel the salt on your face and the wind in your hair when you read jonathan bennett's *around the coast in eighty waves* a campervan adventure taking in some of britain's best surfing beaches he visits destinations as far flung as the isle of harris the gower coast and porthleven

around the coast in eighty waves kindle edition amazon in - Oct 02 2022

web [around the coast in eighty waves ebook bennett jonathan amazon in kindle store](#)

[around the coast in eighty waves english edition pdf pdf](#) - May 29 2022

web [around the coast in eighty waves jonathan bennett 2016 jonathan bennett lived in an old unheated campervan for fourteen months and travelled clockwise all round britain surfing every beach he could catch a wave coastal systems](#)

around the coast in eighty waves sandstone press - Jul 11 2023

web you can almost feel the salt on your face and the wind in your hair when you read jonathan bennett's *around the coast in eighty waves* a campervan adventure taking in some of britain's best surfing beaches he visits destinations as far flung as the isle of harris the gower coast and porthleven

around the coast in eighty waves overdrive - Apr 08 2023

web apr 21 2016 from the isle of harris to the lizard peninsula from orkney to anglesey from sandwood bay to sussex he shared the waves with seals sewage and fellow surfers meeting friendly and not so friendly locals often alone and miles from civilisation without going near a campsite he slept with the sound of the waves whispering in his ears

around the coast in eighty waves archive org - Oct 14 2023

web [around the coast in eighty waves by bennett jonathan freelance writer author](#)

[around the coast in eighty waves english edition wp publish](#) - Mar 27 2022

web stimulate metamorphosis is actually astonishing within the pages of *around the coast in eighty waves english edition* an enthralling opus penned by a highly acclaimed wordsmith readers set about an immersive expedition to unravel the intricate significance of language and its indelible imprint on our lives

[around the coast in eighty waves amazon singapore](#) - Sep 13 2023

web [around the coast in eighty waves bennett jonathan bennet jonathan amazon sg books](#)

[around the coast in eighty waves english edition pdf](#) - Apr 27 2022

web nineteen eighty five west coast troll log program the jarrett palmer express of 1876 the old man and the sea eighty days to elsewhere around the coast in eighty waves english edition downloaded from old cosmc org by guest mora amiya nineteen eighty one nineteen eighty three west coast troll log book project 2 data on catch of

[around the coast in eighty waves read book online](#) - Jun 29 2022

web living in an old unheated t25 campervan for fourteen months including the coldest winter for thirty years jonathan bennett travelled clockwise round britain surfing every beach he could catch a

around the coast in eighty waves abebooks - Dec 04 2022

web oct 31 2007 around the coast in eighty waves jonathan bennett 66 ratings by goodreads isbn 10 1910124885 isbn 13 9781910124888 published by sandstone press ltd 2016 used condition used good soft cover save for later from greener books london united kingdom abebooks

aqg gcse mathematics assessment resources - Feb 09 2023

web question paper modified a4 18pt foundation paper 1 non calculator june 2022 published 14 jul 2023 pdf 1 1 mb

aqg gcse mathematics assessment resources - Jan 08 2023

web assessment resources question paper higher paper 1 non calculator june 2022 new examiner report higher paper 1 non calculator june 2022 new question paper modified a4 18pt higher paper 1 non calculator june 2022 new

[aqg gcse mathematics assessment resources](#) - Mar 10 2023

web question paper modified a3 36pt higher paper 1 non calculator june 2022 published 14 jul 2023 pdf 2 4 mb question paper higher paper 2 calculator june 2022

gcse 9 1 mathematics pearson qualifications - Jan 28 2022

web all three papers must be at the same tier of entry and must be completed in the same assessment series paper 1 is a non calculator assessment and a calculator is allowed for paper 2 and paper 3 each paper is 1 hour and 30 minutes long each paper has 80 marks the content outlined for each tier will be assessed across all three papers

mark scheme foundation paper 1 non calculator sample set - Sep 04 2022

web practice papers set 1 teacher booklet gcse new specimen papers published june 2015 title mark scheme foundation paper 1 non calculator sample set author aqa subject mathematics created date

2021 mathematics paper 1 non calculator maths scot - Jun 01 2022

web 1 b 2 correct substitution into volume of hemisphere formula 3 calculate volume in terms of 2 14 3 3 23 18 2 15 1 interpret index 2 complete evaluation 1 16 3 2 64 2 16 1 correct substitution 2 evaluate f 90 90 2 4 2 17 1 coordinates of turning point correct

mark scheme foundation paper 1 non calculator november - Jul 14 2023

web foundation tier paper 1 non calculator mark scheme june 2021 version 1 0 final 216g8300 1f ms mark schemes are prepared by the lead assessment writer and considered together with the relevant questions by a panel of subject teachers
pearson edexcel level 1 level 2 gcse 9 1 maths genie - Mar 30 2022

web paper reference time 1 hour 30 minutes pearson edexcel level 1 level 2 gcse 9 1 1ma1 1f mathematics paper 1 non calculator foundation tier you must have ruler graduated in centimetres and millimetres protractor pair of compasses pen hb pencil eraser tracing paper may be used p64629a 2021 pearson education ltd
gcse h mathematics aqa - Jul 02 2022

web mathematics higher tier paper 1 non calculator h 2 02 ib m nov19 8300 1h do not write outside the box answer all questions in the spaces provided 1 circle the calculation that decreases 250 by 15 1 mark 250 1 15 250 0 15 250 0 85 250 0 85 2 solve $3x = 2x$

2021 advanced higher mathematics paper 1 non calculator question paper - Oct 05 2022

web x847 77 11 mathematics paper 1 non calculator duration 1 hour total marks 35 attempt all questions you must not use a calculator to earn full marks you must show your working in your answers state the units for your answer where appropriate you will not earn marks for answers obtained by readings from scale drawings

aqa gcse mathematics assessment resources - May 12 2023

web assessment resources question paper foundation paper 1 non calculator june 2022 new question paper modified a4 18pt foundation paper 1 non calculator june 2022 new question paper higher paper 1 non calculator june 2022 new examiner report higher paper 1 non calculator june 2022 new

2022 advanced higher mathematics paper 1 non calculator question paper - Dec 27 2021

web mathematics paper 1 non calculator friday 6 may 9 00 am 10 00 am total marks 35 attempt all questions you must not use a calculator to earn full marks you must show your working in your answers state the units for your answer where appropriate you will not earn marks for answers obtained by readings from scale drawings

aqa gcse mathematics assessment resources - Dec 07 2022

web question paper higher paper 1 non calculator november 2020 published 18 jan 2022 pdf 1 9 mb

mark scheme results november 2020 pearson qualifications - Aug 03 2022

web jan 14 2021 pearson edexcel gcse 9 1 in mathematics 1ma1 higher non calculator paper 1h edexcel and btec qualifications edexcel and btec qualifications are awarded by pearson the uk's largest awarding body we provide a wide range of qualifications including academic vocational occupational and specific programmes for

edexcel gcse maths past papers revision maths - Aug 15 2023

web june 2022 pearson edexcel gcse 9 1 mathematics 1ma1 paper 1 non calculator 1ma1 1f foundation tier download paper

download mark scheme paper 1 non calculator 1ma1 1h higher tier download paper download mark scheme paper 2 calculator 1ma1 2f foundation tier download paper download mark scheme

gcse 9 1 mathematics pearson qualifications - Feb 26 2022

web mathematics paper 1 non calculator foundation tier sample assessment materials issue 2 time 1 hour 30 minutes 1ma1 1f you must have ruler graduated in centimetres and millimetres protractor pair of compasses pen hb pencil eraser instructions use black ink or ball point pen fill in the boxes at the top of this page with

gcse h mathematics aqa - Apr 30 2022

web advice in all calculations show clearly how you work out your answer please write clearly in block capitals centre number candidate number surname forename s candidate signature gcse mathematics higher tier paper 1 non calculator h 2 02 ib m nov18 8300 1h

gcse practice papers corbettmaths - Nov 06 2022

web apr 1 2019 higher set a paper 1 non calculator higher set a paper 2 calculator higher set a paper 3 calculator higher set b paper 1 non calculator higher set b paper 2 calculator higher set b paper 3 calculator higher set c paper 1 non calculator higher set c paper 2 calculator higher set c paper 3 calculator

aqa gcse maths past papers revision maths - Apr 11 2023

web aqa gcse mathematics 8300 june 2022 paper 1 non calculator 8300 1f foundation download paper download mark scheme paper 1 non calculator 8300 1h higher download paper download mark scheme paper 2 calculator 8300 2f foundation download paper download mark scheme

mark scheme higher paper 1 non calculator november 2021 - Jun 13 2023

web gcse mathematics 8300 1h higher tier paper 1 non calculator mark scheme june 2021 version 1 0 final 216g8300 1h ms mark schemes are prepared by the lead assessment writer and considered together with the relevant questions by a panel of subject teachers