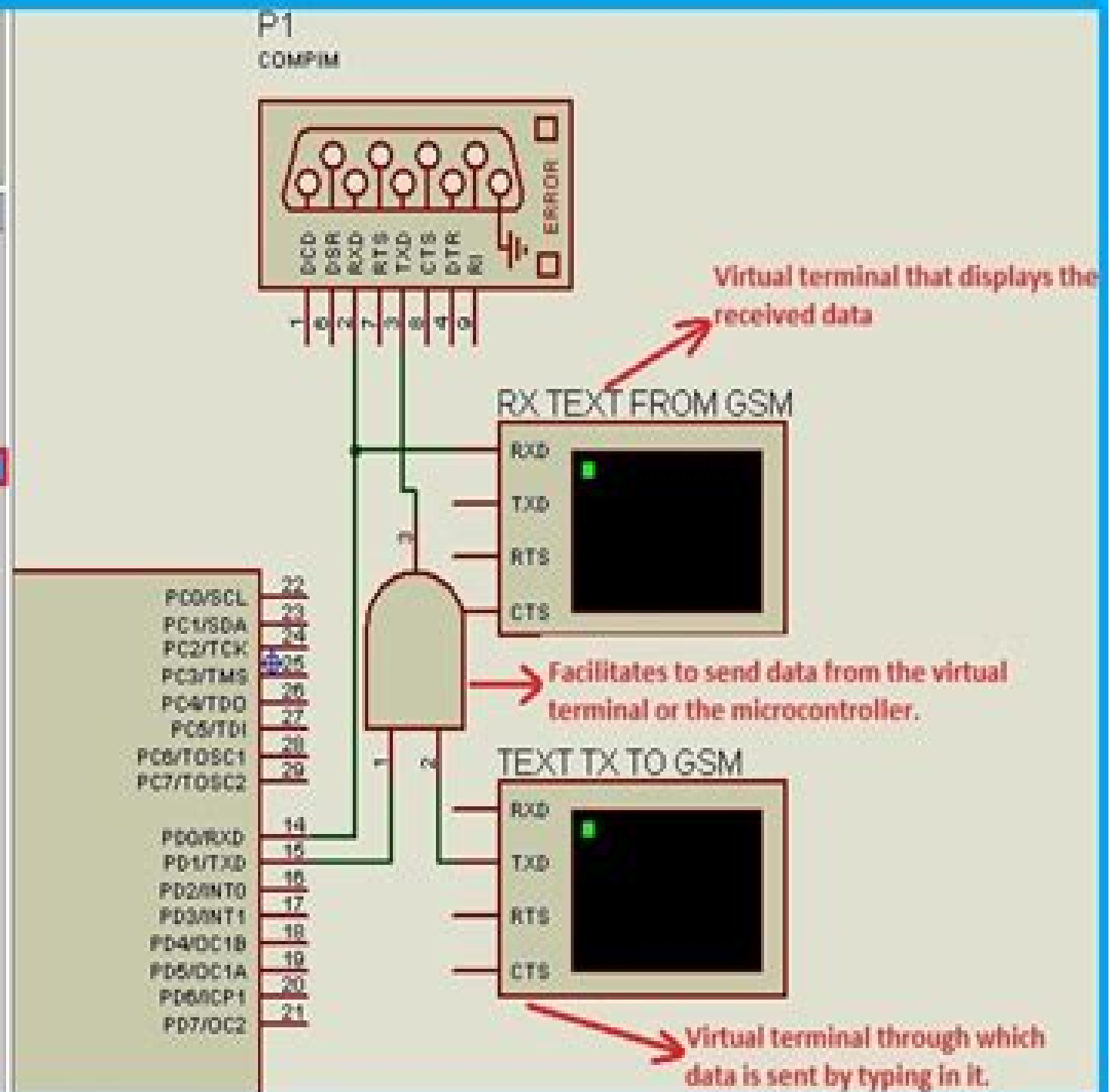


The screenshot shows the Proteus software interface. On the left is a toolbar with various icons. In the center is a component library window with a 'PL' tab selected. The library lists several components, with 'COMPIM' highlighted in blue. A red box highlights the 'Virtual terminal' icon in the toolbar.

Virtual terminal is in this tab



Interfacing Gsm Module Using Proteus Simulation Software

C Cleary



Interfacing Gsm Module Using Proteus Simulation Software:

If you ally infatuation such a referred **Interfacing Gsm Module Using Proteus Simulation Software** books that will meet the expense of you worth, acquire the categorically best seller from us currently from several preferred authors. If you want to hilarious books, lots of novels, tale, jokes, and more fictions collections are in addition to launched, from best seller to one of the most current released.

You may not be perplexed to enjoy all ebook collections Interfacing Gsm Module Using Proteus Simulation Software that we will completely offer. It is not nearly the costs. Its approximately what you compulsion currently. This Interfacing Gsm Module Using Proteus Simulation Software, as one of the most committed sellers here will agreed be in the course of the best options to review.

https://py.bijouxmedusa.com/public/book-search/fetch.php/Engineering_Science_N2_Question_Papers_And_Memorandum.pdf

Table of Contents Interfacing Gsm Module Using Proteus Simulation Software

1. Understanding the eBook Interfacing Gsm Module Using Proteus Simulation Software
 - The Rise of Digital Reading Interfacing Gsm Module Using Proteus Simulation Software
 - Advantages of eBooks Over Traditional Books
2. Identifying Interfacing Gsm Module Using Proteus Simulation Software
 - Exploring Different Genres
 - Considering Fiction vs. Non-Fiction
 - Determining Your Reading Goals
3. Choosing the Right eBook Platform
 - Popular eBook Platforms
 - Features to Look for in an Interfacing Gsm Module Using Proteus Simulation Software
 - User-Friendly Interface
4. Exploring eBook Recommendations from Interfacing Gsm Module Using Proteus Simulation Software
 - Personalized Recommendations
 - Interfacing Gsm Module Using Proteus Simulation Software User Reviews and Ratings

- Interfacing Gsm Module Using Proteus Simulation Software and Bestseller Lists
- 5. Accessing Interfacing Gsm Module Using Proteus Simulation Software Free and Paid eBooks
 - Interfacing Gsm Module Using Proteus Simulation Software Public Domain eBooks
 - Interfacing Gsm Module Using Proteus Simulation Software eBook Subscription Services
 - Interfacing Gsm Module Using Proteus Simulation Software Budget-Friendly Options
- 6. Navigating Interfacing Gsm Module Using Proteus Simulation Software eBook Formats
 - ePub, PDF, MOBI, and More
 - Interfacing Gsm Module Using Proteus Simulation Software Compatibility with Devices
 - Interfacing Gsm Module Using Proteus Simulation Software Enhanced eBook Features
- 7. Enhancing Your Reading Experience
 - Adjustable Fonts and Text Sizes of Interfacing Gsm Module Using Proteus Simulation Software
 - Highlighting and Note-Taking Interfacing Gsm Module Using Proteus Simulation Software
 - Interactive Elements Interfacing Gsm Module Using Proteus Simulation Software
- 8. Staying Engaged with Interfacing Gsm Module Using Proteus Simulation Software
 - Joining Online Reading Communities
 - Participating in Virtual Book Clubs
 - Following Authors and Publishers Interfacing Gsm Module Using Proteus Simulation Software
- 9. Balancing eBooks and Physical Books Interfacing Gsm Module Using Proteus Simulation Software
 - Benefits of a Digital Library
 - Creating a Diverse Reading Collection Interfacing Gsm Module Using Proteus Simulation Software
- 10. Overcoming Reading Challenges
 - Dealing with Digital Eye Strain
 - Minimizing Distractions
 - Managing Screen Time
- 11. Cultivating a Reading Routine Interfacing Gsm Module Using Proteus Simulation Software
 - Setting Reading Goals Interfacing Gsm Module Using Proteus Simulation Software
 - Carving Out Dedicated Reading Time
- 12. Sourcing Reliable Information of Interfacing Gsm Module Using Proteus Simulation Software
 - Fact-Checking eBook Content of Interfacing Gsm Module Using Proteus Simulation Software
 - Distinguishing Credible Sources

13. Promoting Lifelong Learning
 - Utilizing eBooks for Skill Development
 - Exploring Educational eBooks
14. Embracing eBook Trends
 - Integration of Multimedia Elements
 - Interactive and Gamified eBooks

Interfacing Gsm Module Using Proteus Simulation Software Introduction

In this digital age, the convenience of accessing information at our fingertips has become a necessity. Whether its research papers, eBooks, or user manuals, PDF files have become the preferred format for sharing and reading documents. However, the cost associated with purchasing PDF files can sometimes be a barrier for many individuals and organizations. Thankfully, there are numerous websites and platforms that allow users to download free PDF files legally. In this article, we will explore some of the best platforms to download free PDFs. One of the most popular platforms to download free PDF files is Project Gutenberg. This online library offers over 60,000 free eBooks that are in the public domain. From classic literature to historical documents, Project Gutenberg provides a wide range of PDF files that can be downloaded and enjoyed on various devices. The website is user-friendly and allows users to search for specific titles or browse through different categories. Another reliable platform for downloading Interfacing Gsm Module Using Proteus Simulation Software free PDF files is Open Library. With its vast collection of over 1 million eBooks, Open Library has something for every reader. The website offers a seamless experience by providing options to borrow or download PDF files. Users simply need to create a free account to access this treasure trove of knowledge. Open Library also allows users to contribute by uploading and sharing their own PDF files, making it a collaborative platform for book enthusiasts. For those interested in academic resources, there are websites dedicated to providing free PDFs of research papers and scientific articles. One such website is Academia.edu, which allows researchers and scholars to share their work with a global audience. Users can download PDF files of research papers, theses, and dissertations covering a wide range of subjects. Academia.edu also provides a platform for discussions and networking within the academic community. When it comes to downloading Interfacing Gsm Module Using Proteus Simulation Software free PDF files of magazines, brochures, and catalogs, Issuu is a popular choice. This digital publishing platform hosts a vast collection of publications from around the world. Users can search for specific titles or explore various categories and genres. Issuu offers a seamless reading experience with its user-friendly interface and allows users to download PDF files for offline reading. Apart from dedicated platforms, search engines also play a crucial role in finding free PDF files. Google, for instance, has an advanced search feature that allows users to filter results by file type. By specifying

the file type as "PDF," users can find websites that offer free PDF downloads on a specific topic. While downloading Interfacing Gsm Module Using Proteus Simulation Software free PDF files is convenient, its important to note that copyright laws must be respected. Always ensure that the PDF files you download are legally available for free. Many authors and publishers voluntarily provide free PDF versions of their work, but its essential to be cautious and verify the authenticity of the source before downloading Interfacing Gsm Module Using Proteus Simulation Software. In conclusion, the internet offers numerous platforms and websites that allow users to download free PDF files legally. Whether its classic literature, research papers, or magazines, there is something for everyone. The platforms mentioned in this article, such as Project Gutenberg, Open Library, Academia.edu, and Issuu, provide access to a vast collection of PDF files. However, users should always be cautious and verify the legality of the source before downloading Interfacing Gsm Module Using Proteus Simulation Software any PDF files. With these platforms, the world of PDF downloads is just a click away.

FAQs About Interfacing Gsm Module Using Proteus Simulation Software Books

1. Where can I buy Interfacing Gsm Module Using Proteus Simulation Software books? Bookstores: Physical bookstores like Barnes & Noble, Waterstones, and independent local stores. Online Retailers: Amazon, Book Depository, and various online bookstores offer a wide range of books in physical and digital formats.
2. What are the different book formats available? Hardcover: Sturdy and durable, usually more expensive. Paperback: Cheaper, lighter, and more portable than hardcovers. E-books: Digital books available for e-readers like Kindle or software like Apple Books, Kindle, and Google Play Books.
3. How do I choose a Interfacing Gsm Module Using Proteus Simulation Software book to read? Genres: Consider the genre you enjoy (fiction, non-fiction, mystery, sci-fi, etc.). Recommendations: Ask friends, join book clubs, or explore online reviews and recommendations. Author: If you like a particular author, you might enjoy more of their work.
4. How do I take care of Interfacing Gsm Module Using Proteus Simulation Software books? Storage: Keep them away from direct sunlight and in a dry environment. Handling: Avoid folding pages, use bookmarks, and handle them with clean hands. Cleaning: Gently dust the covers and pages occasionally.
5. Can I borrow books without buying them? Public Libraries: Local libraries offer a wide range of books for borrowing. Book Swaps: Community book exchanges or online platforms where people exchange books.
6. How can I track my reading progress or manage my book collection? Book Tracking Apps: Goodreads, LibraryThing, and Book Catalogue are popular apps for tracking your reading progress and managing book collections. Spreadsheets:

You can create your own spreadsheet to track books read, ratings, and other details.

7. What are Interfacing Gsm Module Using Proteus Simulation Software audiobooks, and where can I find them?
Audiobooks: Audio recordings of books, perfect for listening while commuting or multitasking. Platforms: Audible, LibriVox, and Google Play Books offer a wide selection of audiobooks.
8. How do I support authors or the book industry? Buy Books: Purchase books from authors or independent bookstores. Reviews: Leave reviews on platforms like Goodreads or Amazon. Promotion: Share your favorite books on social media or recommend them to friends.
9. Are there book clubs or reading communities I can join? Local Clubs: Check for local book clubs in libraries or community centers. Online Communities: Platforms like Goodreads have virtual book clubs and discussion groups.
10. Can I read Interfacing Gsm Module Using Proteus Simulation Software books for free? Public Domain Books: Many classic books are available for free as they're in the public domain. Free E-books: Some websites offer free e-books legally, like Project Gutenberg or Open Library.

Find Interfacing Gsm Module Using Proteus Simulation Software :

engineering science n2 question papers and memorandum

emachines d620 repair

embedded systems by rajkamal 2nd edition anbangore

engineering thermodynamics equation sheet

engineering drawing by a c parkinson

elements of language fourth course teacher edition

employment law for business 8th edition test bank bennett

english 1 final answers

en 10149 2 s420mc plates manufacturer marc steel

english as a global language cultural diplomacy

english language paper 2 june 09

encyclopedia of garden flowers

emerging trends in image processing computer vision and pattern recognition emerging trends in computer science and applied computing

en 13306

engine for 1 0 litre ecoboost global ford media center

Interfacing Gsm Module Using Proteus Simulation Software :

[9 patriot survival plan is highly appreciated globalizethis](#) - Jul 02 2022

web aug 11 2022 descriptions patriot survival plan this is an urgent broadcast to american patriots ignore it at your own risk no one wants to hear about the chaos that could rain down more patriot survival plan this is an urgent broadcast to american patriots ignore it at your own risk

4patriots we champion freedom and self reliance - Mar 10 2023

web 4patriots champions freedom self reliance with survival food solar generators and the latest emergency preparedness supplies to keep you more secure free power cell on orders 400 yes

[the patriot survival plan pdf breathing mind scribd](#) - Aug 15 2023

web the patriot survival plan free download as pdf file pdf text file txt or read online for free by matt stevens how to survive the collapse of society this manual tells you how to survive when the institutions fail as a result of a global financial collapse

patriot survival plan wilmington de facebook - May 12 2023

web patriot survival plan wilmington delaware 1 457 likes discover an incredibly effective system swiped from the navy seal playbooks that ensures you

patriot survival plan review youtube - Jun 01 2022

web patriot survival plan reviewhttp patriotsurvivalplanreview comhi there my name is caitlyn and i want to tell you about the patriot survival plan writt

survival kits sets 4patriots - Aug 03 2022

web shop our best survival kits sets comprised of highly reviewed power solar and survival foods from our best selling patriot power generator 1800 to our 3 month survival food set shop the survival kit that meets you and your family s emergency preparedness needs

patriots plan by john hartman real and in depth review - Jul 14 2023

web building a safe and sturdy bunker according to john hartman this is the most important component of his survival plan this manual will give you a step by step blueprint for building an indestructible shelter that will keep you and your loved ones safe

patriot survival plan home facebook - Jan 08 2023

web discover an incredibly effective system swiped from the navy seal playbooks that ensures you stay 2711 centerville rd suite 120 wilmington de us 19808

patriotsurvivalplan com at wi patriotsurvivalplan com website - Feb 26 2022

web martin hagan s estate planning resource center meyer unkovic scott llp 535 smithfield street suite 1300 pittsburgh pa 15222 2300 412 456 2800 mjh muslaw com

cade s corner so what is a survival plan 4patriots - Jun 13 2023

web sep 11 2020 so what is a survival plan it s a comprehensive plan of action to address the following based on your geographic location weather environment and greatest risks hurricane home invasion earthquake tornado etc 1 mental mindset 2 emergency supplies food water 3 survival gear 4 emergency action checklists

the patriot survival plan email scam terry ambrose - Apr 30 2022

web apr 20 2014 the patriot survival plan email scam april 20 2014 by terry linkedin yesterday i received two emails from patriot survival plan offering me survival tips on how to make it though the coming crisis in america there may

patriots survival plan youtube - Jan 28 2022

web patriots plan click here tinyurl com lb8cpcypatriot plan dentalpatriots game planpatriots planpatriots plan for tebowpatriots plan pluspatriots plane

pandemic survival plans printed book patriot powered products - Dec 27 2021

web in pandemic survival plans bestselling author and family survival expert keith jacobs provides a comprehensive guide to help prepare your family for the aftermath of the next global pandemic or deadly contagion get your copy today

pdf the patriot survival plan dokumen tips - Apr 11 2023

web how to survive the collapse of society this manual tells you how to survive when the institutions fail as a result of a global financial collapse by matt stevens

survival tactics patriots plan youtube - Dec 07 2022

web get patriots plan bit ly 1aq6seipatriots plan is the newest and highest paying offer to hit the survival market more info bit ly 1aq6seipatri

patriot survival plan facebook - Oct 05 2022

web patriot survival plan wilmington delaware 1 496 likes 1 talking about this discover an incredibly effective system swiped from the navy seal playbooks that ensures you stay alive and free

patriot survival plan posts facebook - Mar 30 2022

web patriot survival plan posts facebook

patriots plan survival for you youtube - Sep 04 2022

web patriots plan survival for you bit ly 1qfjxxqpatriots plan is the newest and highest paying offer to hit the survival market more info bit ly

patriot survival plan facebook - Nov 06 2022

web patriot survival plan wilmington delaware 1 495 likes discover an incredibly effective system swiped from the navy seal playbooks that ensures you stay alive and free even when society crumbles

3 month survival food kit 4patriots - Feb 09 2023

web every 3 month survival food kit contains delicious recipes that your grandma would love made with top quality ingredients you get stick to your ribs emergency food for breakfast lunch and dinner not to mention mouthwatering desserts to satisfy any sweet tooth plus real milk to wash it all down each 3 month survival food supply gives you

palazzo d ingiustizia il caso robledo e l indipendenza della - Apr 29 2022

web palazzo d ingiustizia il caso robledo e l indipendenza della magistratura viaggio nelle procure italiane libro di riccardo iacona sconto 5 e spedizione con corriere a solo 1

palazzo d ingiustizia il caso robledo e l indipendenza della - Feb 08 2023

web palazzo d ingiustizia il caso robledo e l indipendenza della magistratura viaggio nelle procure italiane italian edition by riccardo iacona l autonomia dei pm è di fatto sotto

palazzo d ingiustizia il caso robledo e l indipendenza della - Jan 07 2023

web palazzo d ingiustizia il caso robledo e l indipendenza della magistratura viaggio nelle procure italiane iacona riccardo amazon com tr kitap

palazzo d ingiustizia il caso robledo e l indipendenza della - Dec 26 2021

web april 16th 2020 palazzo d ingiustizia il caso robledo e l indipendenza della magistratura viaggio nelle procure italiane libro di riccardo iacona sconto 5 e

palazzo d ingiustizia il caso robledo e l indipendenza della - Nov 24 2021

web palazzo d ingiustizia ebook di riccardo iacona palazzo d ingiustizia il caso robledo e l indipendenza correnti ostili nel palazzo dingiustizia il manifesto palazzo d ingiustizia

palazzo d ingiustizia il caso robledo e l indipendenza della - Mar 09 2023

web palazzo d ingiustizia il caso robledo e l indipendenza della magistratura viaggio nelle procure italiane di riccardo iacona scrivi per primo una recensione editore marsilio

palazzo d ingiustizia il caso robledo e l indipendenza della - May 31 2022

web jul 24 2023 april 23rd 2020 palazzo d ingiustizia il caso robledo e l indipendenza della magistratura viaggio nelle procure italiane italiano copertina flessibile 12 apr

palazzo d ingiustizia il caso robledo e l indipen copy - Aug 02 2022

web may 20 2023 as this palazzo d ingiustizia il caso robledo e l indipen it ends up beast one of the favored book palazzo d

ingiustizia il caso robledo e l indipen

palazzo d ingiustizia il caso robledo e l indipendenza della - Feb 25 2022

web palazzo d ingiustizia il caso robledo e l indipendenza della magistratura viaggio nelle procure italiane formato kindle di riccardo iacona autore 4 3 su 5 stelle 15 voti

palazzo d ingiustizia il caso robledo e l indipendenza della - May 11 2023

web l incontro con l ex procuratore aggiunto di milano alfredo robledo protagonista di eclatanti contrasti che lo hanno indotto a presentare un clamoroso esposto al consiglio superiore

palazzo d ingiustizia il caso robledo e l indipendenza della - Jul 13 2023

web il caso robledo e l indipendenza della magistratura viaggio nelle procure italiane è un ebook di iacona riccardo pubblicato da marsilio nella collana i nodi a 9 99 il file è in

palazzo d ingiustizia il caso robledo e l indipen pdf - Dec 06 2022

web jun 26 2023 those all we meet the expense of palazzo d ingiustizia il caso robledo e l indipen and numerous books collections from fictions to scientific research in any way

palazzo d ingiustizia il caso robledo e l indipendenza della - Jul 01 2022

web sep 5 2023 palazzo d ingiustizia il caso robledo e l indipendenza palazzo d ingiustizia il caso robledo e l indipendenza correnti ostili nel palazzo dingiustizia il

palazzo d ingiustizia il caso robledo e l indipen pdf - Sep 03 2022

web apr 27 2023 palazzo d ingiustizia il caso robledo e l indipen pdf web10 jan 2023 palazzo d ingiustizia il caso robledo e l indipen 1 8 downloaded from

palazzo d ingiustizia il caso robledo e l indipen copy - Jan 27 2022

web apr 21 2023 this palazzo d ingiustizia il caso robledo e l indipen as one of the most enthusiastic sellers here will categorically be along with the best options to review

palazzo d ingiustizia il caso robledo e l indipendenza della - Oct 24 2021

web palazzo d ingiustizia il caso robledo e l indipendenza della magistratura viaggio nelle procure italiane italian edition by riccardo iacona robledo protagonista di eclatanti

palazzo d ingiustizia il caso robledo e l indipen copy - Apr 10 2023

web palazzo d ingiustizia il caso robledo e l indipen delle prose e poesie liriche di dante alighieri sep 29 2022 riti e costumi degli ebrei confutati aug 05 2020

palazzo d ingiustizia il caso robledo e l indipendenza della - Aug 14 2023

web dettagli conosci l autore descrizione un viaggio dietro le quinte della giustizia italiana tra opacità correnti politiche

conflitti personali riccardo iacona svela forme di arbitrio e

palazzo d ingiustizia il caso robledo e l indipendenza della - Jun 12 2023

web acquista online il libro palazzo d ingiustizia il caso robledo e l indipendenza della magistratura viaggio nelle procure italiane di riccardo iacona in offerta a prezzi

palazzo d ingiustizia il caso robledo e l indipendenza della - Sep 15 2023

web palazzo d ingiustizia il caso robledo e l indipendenza della magistratura viaggio nelle procure italiane italian edition by riccardo iacona nell avvincente ricostruzione di una

palazzo d ingiustizia il caso robledo e l indipen pdf - Oct 04 2022

web aug 18 2023 this palazzo d ingiustizia il caso robledo e l indipen as one of the most enthusiastic sellers here will unconditionally be accompanied by the best options to

palazzo d ingiustizia il caso robledo e l indipen copy - Nov 05 2022

web may 12 2023 palazzo d ingiustizia il caso robledo e l indipen 2 8 downloaded from uniport edu ng on may 12 2023 by guest farci del male e qualcuno deve pur essere

palazzo d ingiustizia il caso robledo e l indipendenza della - Mar 29 2022

web sep 17 2023 e l palazzo d ingiustizia il caso robledo e l indipendenza palazzo d ingiustizia su apple books palazzi di ingiustizia presadiretta al tribunale di palazzo

angels of death season 2 premiere date characters plot the - Aug 19 2022

web jun 15 2019 angels of death season 2 premiere date characters plot shiladitya ray june 15 2019 angels of death also known as satsuriku no tenshi in japanese is an adventure horror anime television series which is based on a game of the same name developed by hoshikuzu krnkrn and published by den fami nico game magazine

angels of death vol 2 angels of death 2 amazon com - Aug 31 2023

web apr 10 2018 angels of death vol 2 angels of death 2 paperback april 10 2018 by kudan naduka author makoto sanada artist 4 8 4 8 out of 5 stars 410 ratings

angels of death vol 2 satsuriku no tenshi band 2 - Nov 21 2022

web dem autor folgen makoto sanada angels of death vol 2 satsuriku no tenshi band 2 taschenbuch illustriert 10 april 2018 englisch ausgabe von kudan naduka autor makoto sanada künstler 397 sternbewertungen teil von angels of death alle formate und editionen anzeigen

angels of death satsuriku no tenshi dub archive org - Jun 28 2023

web may 5 2022 angels of death satsuriku no tenshi dub free download borrow and streaming internet archive volume 90 00 00 23 50 23 50 1 satsuriku no tenshi dub episode 1 23 50 2

[satsuriku no tenshi angels of death myanimelist net](#) - Dec 23 2022

web with dead and lifeless eyes rachel gardner wishes only to die waking up in the basement of a building she has no idea how or why she s there she stumbles across a bandaged murderer named zack who is trying to escape

[satsuriku no tenshi anime part 2 recap angels of death](#) - Mar 14 2022

web animerecap anime name angels of death satsuriku no tenshiplot with dead and lifeless eyes rachel gardner wishes only to die waking up in the basement o

[angels of death satsuriku no tenshi official teaser english](#) - Feb 10 2022

web series info bit ly aodeath satsurinotenshi angelsofdeath aniplus

[angels of death manga read manga online free mangafire](#) - Oct 01 2023

web isaac zack foster initially desires to kill ray but he finds her uninteresting and instead helps her escape the rundown structure satsuriku no tenshi based on a japanese horror adventure game follows ray and zack as they evade obstacles traps and guards while uncovering their dark pasts

angels of death vol 2 satsuriku no tenshi manga - Jul 30 2023

web publishers authors read the official angels of death vol 2 manga in english online or offline author kudan naduka makoto sanada free trial preview available on book walker ebook store app for manga light novel fans

[angels of death animesi İçin 2 tanıtım videosu yayınlandı](#) - Oct 21 2022

web angels of death satsuriku no tenshi oyununun resmi web sitesi 2 bir tanıtım videosu ve yeni bir oyuncu yayınladı tv□□□□□□
□ □□□□□ pv□2□ watch on anime tokyo mx kbs kyoto tv aichi sun tv ve bs11 de daha sonra yayınlanmak üzere 6 temmuz saat 8 30 da at x de prömiyer yapacaktır anime amazon

[angels of death vol 3 satsuriku no tenshi band 3](#) - Sep 19 2022

web angels of death vol 3 satsuriku no tenshi band 3 sanada makoto naduka kudan amazon com tr kitap

angels of death vol 1 satsuriku no tenshi band 1 - Apr 26 2023

web angels of death vol 1 satsuriku no tenshi band 1 sanada makoto nakuka kudan amazon com tr kitap

[angels of death vol 2 satsuriku no tenshi band 2 amazon de](#) - Jan 24 2023

web angels of death vol 2 satsuriku no tenshi band 2 paperback illustrated 10 april 2018 find all the books read about the author and more makoto sanada künftler 4 8 out of 5 stars kindle comixology kindle comixology from 11 36

satsuriku no tenshi trailer 2 angels of death trailer 2 - Jul 18 2022

web jun 9 2018 satsuriku no tenshi trailer 2 angels of death trailer 2 □□□□ □□□□cv □□□□□□cv □□□□ □□□□□□□□ satsuriku com □□twitter

[satsuriku no tenshi angels of death forum myanimelist net](#) - Apr 14 2022

web jul 14 2022 join forum discussions on the anime satsuriku no tenshi angels of death on myanimelist the internet s largest anime database with dead and lifeless eyes rachel gardner wishes only to die waking up in the basement of a building she has no idea how or why she s there

angels of death episode 0 vol 2 satsuriku no tenshi episode 0 - Mar 26 2023

web read the official angels of death episode 0 vol 2 manga in english online or offline author kudan naduka makoto sanada free trial preview available on book walker ebook store app for manga light novel fans

angels of death vol 2 angels of death 2 amazon in - Feb 22 2023

web angels of death vol 2 angels of death 2 naduka kudan sanada makoto amazon in books

satsuriku no tenshi angels of death news myanimelist net - May 16 2022

web read news on the anime satsuriku no tenshi angels of death on myanimelist the internet s largest anime database with dead and lifeless eyes rachel gardner wishes only to die waking up in the basement of a building she has no idea how or why she s there she stumbles across a bandaged murderer named zack who is trying to escape

volume 2 episode 0 satsuriku no tenshi wiki fandom - May 28 2023

web angels of death episode 0 volume 2 episode 0 2 satsuriku no tenshi episode 0 2 is the second volume of the angels of death episode 0 manga series the background for the cover is scarlet the title logo is printed in white with a dark blue glow surrounding it the author and

angels of death anime trailer 1 2 english subtitles satsuriku no - Jun 16 2022

web show more angels of death anime trailer 1 2 english subtitles satsuriku no tenshi anime 2018 makoto sanada vaka dwango kadokawa angels of death partners with dead and lifeless