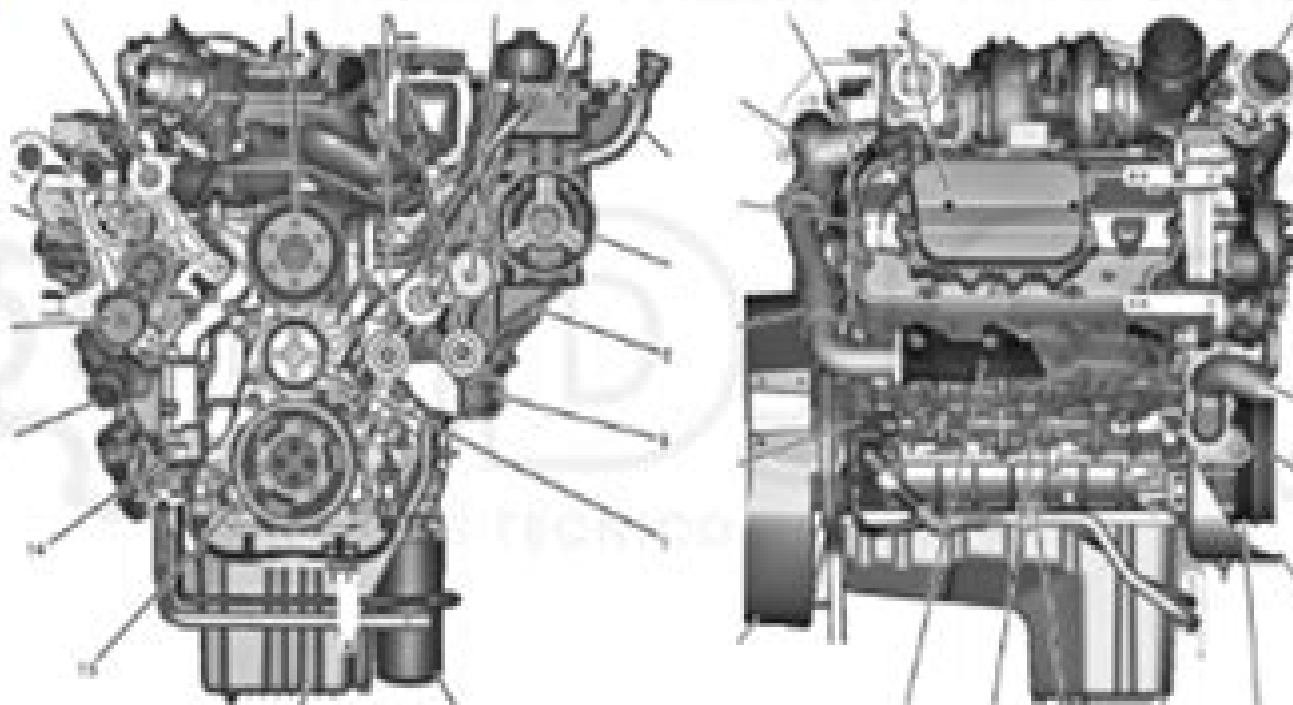


# Repair and Service

## ***INTERNATIONAL Maxxforce 7***



***V8 / Diesel / (6.4 L) // 2010***



# International Maxxforce Engine Repair Manual

**Annelies Wilder-Smith**



## **International Maxxforce Engine Repair Manual:**

Getting the books **International Maxxforce Engine Repair Manual** now is not type of challenging means. You could not lonely going later than book gathering or library or borrowing from your associates to gain access to them. This is an very simple means to specifically get lead by on-line. This online pronouncement International Maxxforce Engine Repair Manual can be one of the options to accompany you with having additional time.

It will not waste your time. resign yourself to me, the e-book will entirely appearance you new issue to read. Just invest little era to contact this on-line statement **International Maxxforce Engine Repair Manual** as competently as evaluation them wherever you are now.

[https://py.bijouxmedusa.com/data/detail/index.jsp/Small\\_Business\\_39\\_321\\_Parenting\\_Tips\\_Step\\_By\\_Step\\_United\\_States\\_39\\_2664.pdf](https://py.bijouxmedusa.com/data/detail/index.jsp/Small_Business_39_321_Parenting_Tips_Step_By_Step_United_States_39_2664.pdf)

## **Table of Contents International Maxxforce Engine Repair Manual**

1. Understanding the eBook International Maxxforce Engine Repair Manual
  - The Rise of Digital Reading International Maxxforce Engine Repair Manual
  - Advantages of eBooks Over Traditional Books
2. Identifying International Maxxforce Engine Repair Manual
  - Exploring Different Genres
  - Considering Fiction vs. Non-Fiction
  - Determining Your Reading Goals
3. Choosing the Right eBook Platform
  - Popular eBook Platforms
  - Features to Look for in an International Maxxforce Engine Repair Manual
  - User-Friendly Interface
4. Exploring eBook Recommendations from International Maxxforce Engine Repair Manual
  - Personalized Recommendations
  - International Maxxforce Engine Repair Manual User Reviews and Ratings

- International Maxxforce Engine Repair Manual and Bestseller Lists
- 5. Accessing International Maxxforce Engine Repair Manual Free and Paid eBooks
  - International Maxxforce Engine Repair Manual Public Domain eBooks
  - International Maxxforce Engine Repair Manual eBook Subscription Services
  - International Maxxforce Engine Repair Manual Budget-Friendly Options
- 6. Navigating International Maxxforce Engine Repair Manual eBook Formats
  - ePub, PDF, MOBI, and More
  - International Maxxforce Engine Repair Manual Compatibility with Devices
  - International Maxxforce Engine Repair Manual Enhanced eBook Features
- 7. Enhancing Your Reading Experience
  - Adjustable Fonts and Text Sizes of International Maxxforce Engine Repair Manual
  - Highlighting and Note-Taking International Maxxforce Engine Repair Manual
  - Interactive Elements International Maxxforce Engine Repair Manual
- 8. Staying Engaged with International Maxxforce Engine Repair Manual
  - Joining Online Reading Communities
  - Participating in Virtual Book Clubs
  - Following Authors and Publishers International Maxxforce Engine Repair Manual
- 9. Balancing eBooks and Physical Books International Maxxforce Engine Repair Manual
  - Benefits of a Digital Library
  - Creating a Diverse Reading Collection International Maxxforce Engine Repair Manual
- 10. Overcoming Reading Challenges
  - Dealing with Digital Eye Strain
  - Minimizing Distractions
  - Managing Screen Time
- 11. Cultivating a Reading Routine International Maxxforce Engine Repair Manual
  - Setting Reading Goals International Maxxforce Engine Repair Manual
  - Carving Out Dedicated Reading Time
- 12. Sourcing Reliable Information of International Maxxforce Engine Repair Manual
  - Fact-Checking eBook Content of International Maxxforce Engine Repair Manual
  - Distinguishing Credible Sources

13. Promoting Lifelong Learning
  - Utilizing eBooks for Skill Development
  - Exploring Educational eBooks
14. Embracing eBook Trends
  - Integration of Multimedia Elements
  - Interactive and Gamified eBooks

### **International Maxxforce Engine Repair Manual Introduction**

International Maxxforce Engine Repair Manual Offers over 60,000 free eBooks, including many classics that are in the public domain. Open Library: Provides access to over 1 million free eBooks, including classic literature and contemporary works. International Maxxforce Engine Repair Manual Offers a vast collection of books, some of which are available for free as PDF downloads, particularly older books in the public domain. International Maxxforce Engine Repair Manual : This website hosts a vast collection of scientific articles, books, and textbooks. While it operates in a legal gray area due to copyright issues, its a popular resource for finding various publications. Internet Archive for International Maxxforce Engine Repair Manual : Has an extensive collection of digital content, including books, articles, videos, and more. It has a massive library of free downloadable books. Free-eBooks International Maxxforce Engine Repair Manual Offers a diverse range of free eBooks across various genres. International Maxxforce Engine Repair Manual Focuses mainly on educational books, textbooks, and business books. It offers free PDF downloads for educational purposes. International Maxxforce Engine Repair Manual Provides a large selection of free eBooks in different genres, which are available for download in various formats, including PDF. Finding specific International Maxxforce Engine Repair Manual, especially related to International Maxxforce Engine Repair Manual, might be challenging as theyre often artistic creations rather than practical blueprints. However, you can explore the following steps to search for or create your own Online Searches: Look for websites, forums, or blogs dedicated to International Maxxforce Engine Repair Manual, Sometimes enthusiasts share their designs or concepts in PDF format. Books and Magazines Some International Maxxforce Engine Repair Manual books or magazines might include. Look for these in online stores or libraries. Remember that while International Maxxforce Engine Repair Manual, sharing copyrighted material without permission is not legal. Always ensure youre either creating your own or obtaining them from legitimate sources that allow sharing and downloading. Library Check if your local library offers eBook lending services. Many libraries have digital catalogs where you can borrow International Maxxforce Engine Repair Manual eBooks for free, including popular titles. Online Retailers: Websites like Amazon, Google Books, or Apple Books often sell eBooks. Sometimes, authors or publishers offer promotions or free periods for certain books. Authors Website Occasionally, authors provide excerpts or short

stories for free on their websites. While this might not be the International Maxxforce Engine Repair Manual full book, it can give you a taste of the authors writing style. Subscription Services Platforms like Kindle Unlimited or Scribd offer subscription-based access to a wide range of International Maxxforce Engine Repair Manual eBooks, including some popular titles.

### **FAQs About International Maxxforce Engine Repair Manual Books**

**What is a International Maxxforce Engine Repair Manual PDF?** A PDF (Portable Document Format) is a file format developed by Adobe that preserves the layout and formatting of a document, regardless of the software, hardware, or operating system used to view or print it. **How do I create a International Maxxforce Engine Repair Manual PDF?**

There are several ways to create a PDF: Use software like Adobe Acrobat, Microsoft Word, or Google Docs, which often have built-in PDF creation tools. Print to PDF: Many applications and operating systems have a "Print to PDF" option that allows you to save a document as a PDF file instead of printing it on paper. Online converters: There are various online tools that can convert different file types to PDF. **How do I edit a International Maxxforce Engine Repair Manual PDF?** Editing a PDF can be done with software like Adobe Acrobat, which allows direct editing of text, images, and other elements within the PDF. Some free tools, like PDFescape or Smallpdf, also offer basic editing capabilities. **How do I convert a International**

**Maxxforce Engine Repair Manual PDF to another file format?** There are multiple ways to convert a PDF to another format: Use online converters like Smallpdf, Zamzar, or Adobe Acrobats export feature to convert PDFs to formats like Word, Excel, JPEG, etc. Software like Adobe Acrobat, Microsoft Word, or other PDF editors may have options to export or save PDFs in different formats. **How do I password-protect a International Maxxforce Engine Repair Manual PDF?** Most PDF

editing software allows you to add password protection. In Adobe Acrobat, for instance, you can go to "File" -> "Properties" -> "Security" to set a password to restrict access or editing capabilities. Are there any free alternatives to Adobe Acrobat for working with PDFs? Yes, there are many free alternatives for working with PDFs, such as: LibreOffice: Offers PDF editing features. PDFsam: Allows splitting, merging, and editing PDFs. Foxit Reader: Provides basic PDF viewing and editing capabilities. How do I compress a PDF file? You can use online tools like Smallpdf, ILovePDF, or desktop software like Adobe Acrobat to compress PDF files without significant quality loss. Compression reduces the file size, making it easier to share and download. Can I fill out forms in a PDF file? Yes, most PDF viewers/editors like Adobe Acrobat, Preview (on Mac), or various online tools allow you to fill out forms in PDF files by selecting text fields and entering information. Are there any restrictions when working with PDFs? Some PDFs might have restrictions set by their creator, such as password protection, editing restrictions, or print restrictions. Breaking these restrictions might require specific software or tools, which may or

may not be legal depending on the circumstances and local laws.

**Find International Maxxforce Engine Repair Manual :**

**small business 39-321 parenting tips step by step United States 39-2664**  
[blog monetization software for creators 39-1543](#) [blog monetization](#)  
[AI marketing apps for entrepreneurs 39-2283](#) [AI marketing apps for](#)  
**guide for startups 39-904 credit score improvement ideas for**  
[software United States 39-1763](#) [coding for beginners software United](#)  
[ideas review America 39-2548](#) [mobile app ideas review for small business](#)  
**roadmap for startups 39-14 SEO strategy software United States 39-2955**  
**resume writing explained for startups 39-5 resume writing explained for**  
[39-399 chatbot development for beginners for entrepreneurs 39-2311](#)  
[ecommerce trends tutorial USA 39-625](#) [ecommerce trends tutorial United](#)  
[for entrepreneurs 39-1672](#) [fitness routines trends for small business](#)  
[America 39-966](#) [blockchain development best practices for creators 39-320](#)  
[for small business 39-1869](#) [business automation best practices USA](#)  
[blockchain development ideas for startups 39-191](#) [blockchain development](#)  
**interview tips apps USA 39-769 interview tips apps for small business**

**International Maxxforce Engine Repair Manual :**

**millennium remote control center operators guide johnson controls** - Aug 15 2023

web the york millennium remote control center rcc is a microprocessor based control system capable of remote chiller condensing unit control it is capable of controlling cooling setpoints load limit setpoint daily holiday schedule and the remote start stop most unit operational and history data is available on the rcc

**york millennium remote control center operating instructions** - Jan 28 2022

web the york millennium remote control center rcc oper data is a microprocessor based control system capable of remote chiller condensing unit control it is capable of page 4 no run perm shows that either the flow switch or when this message appears discharge pressure limit air proving switch is open or a remote start stop con

[york millennium control center 371 02742 101 sahibinden](#) - Jun 13 2023

web york millennium control center 371 02742 101 ısı havalandırma endüstri makineleri uygun fiyatlarla ilan ve alışverişte ilk adres sahibinden com da

**millennium remote control center for air** - May 12 2023

web general the york remote control center option 371 02400 102 provides chiller operating data and control from a remote location this data includes system status operating information fault information and chiller operating history at the push of a key

york ycal0014sc ycal0080sc millennium - Jul 02 2022

web millennium control center the york microcomputer control center is a micro processor based control system designed to provide the entire control for the liquid chiller the control logic embedded in the microprocessor based control system will provide control for the chilled liquid temperatures as

**millennium tm product documentation johnson controls** - Feb 26 2022

web control center condenser fig 1 model yk millennium chiller oil pump compressor control panel cooler front view motor 28815a ld01338 notes all dimensions are approximate certified dimensions are available on request for compact water boxes shown above determine overall unit length by

*york millennium manual pdf download manualslib* - Jan 08 2023

web view and download york millennium manual online remote control center for style f air cooled screw chiller millennium remote control pdf manual download

york millennium control center hos bv - Mar 10 2023

web specifications downloads york millennium control center specifications request offer print this page company video hosbv europe s largest specialist for used

**york millennium 28971ar user manual pdf download manualslib** - Oct 05 2022

web york s unit controls will optimize operation without nuisance high pressure safety cutout however the system designer must consider potential performance degradation access to the unit control center assumes the unit is no higher than on spring isolators

unit controls york millennium control center introduction - Sep 04 2022

web york ycal0080sc user manual millennium unit controls york controlling center york pumps manuals dir manualsdir com online owner users library get directory brands yorker manuals pumps microprocessor board spittin ycal0080sc user manual page 58 millennium team controls york control center text type

unit controls york millennium control center introduction - Apr 11 2023

web millennium control center the york microcomputer control center is a micro processor based control system designed to

provide the entire control for the liquid chiller the control logic embedded in the microprocessor based control system will provide control for the chilled liquid temperatures as well as sequencing system safeties

**unit controls york millennium control center introduction** - Dec 07 2022

web york ycal0080sc user manual millennium unit controls york control center york pumping reference directory manualsdir com online owner owners library search directory fire york manuals pumps integrated board york ycal0080sc user manual page 58 millennium unit features york control center print mode

used millennium control center for sale york equipment more - Jun 01 2022

web search for used millennium control center find york for sale on machinio usd usd united states dollar us eur euro gbp british pound used millennium control center trusted seller york ycaa b 120 used manufacturer york

*chiller control panel programming and data* - Dec 27 2021

web the york millennium reciprocating chiller control panel is a microprocessor based control system fitted to year liquid chillers it is capable of multi refrigerant system control to maintain chilled liquid temperature within programmed limits and to provide safety control of the chiller

**unit controls york millennium control center introduction** - Feb 09 2023

web unit controls york millennium steering center the yeah microcomputer control center is a micro cpu based control system designed to provide which completely control fork of liquid chiller

**millennium product documentation johnson controls** - Apr 30 2022

web millennium 28376a new expanded user guide included see section 3 section 1 rcc hardware and setup general the york remote control center option 371 02485 102 provides chiller operating data and control from a

*unit controls york millennium control center introduction* - Nov 06 2022

web york foreign 58 unit controls york millennium manage center the york microcomputer power center is a micro processor based control system engineered to provide the entire control for the liquid chiller

*york millennium control center hos bv* - Jul 14 2023

web contact us york millennium control center waterchiller 1x york millennium control center waterchiller partnr 800820 specifications downloads 0615 800820 millenium recip chiller control eng pdf request offer name country phone e mail remarks optional

york ycal0080sc installation operation maintenance manualslib - Mar 30 2022

web page 58 section 2 unit controls unit controls york millennium control center introduction the york microcomputer control center is a micro processor based control system designed to provide the entire control for the liquid chiller the control logic embedded in the microprocessor based control system will

[york millennium yk operating maintenance manualslib](#) - Aug 03 2022

web summary of contents for york millennium yk page 1 millennium centrifugal liquid chillers operating maintenance model yk style d r 134a cooling only with microcomputer control center part 371 01200 010 371 01200 011 371 01200 015 for electro mechanical starter solid

[amazon fr le royaume enchante james b stewart livres](#) - Jul 14 2023

web de l affaire eurodisney aux démêlés de disney avec pixar on y croise la plupart des grands talents de ces deux dernières décennies tim burton martin scorsese johnny depp michael moore george lucas steven spielberg etc d anecdotes en révélations il lève le voile sur un monde stupéfiant plus haut en couleur encore que la

[définition royaume enchanté dictionnaire français reverso](#) - Jan 28 2022

web traduction royaume enchanté dans le dictionnaire français français de reverso voir aussi royaumer royauté royale royaux conjugaison expressions idiomatiques

**le royaume enchante nikolai tcherepnin wise music classical** - Aug 03 2022

web le royaume enchante by nikolai tcherepnin published by schirmer russian music composers catalogue performances rental licensing buy search close x located in the uk located in the usa located in europe nikolai tcherepnin le royaume enchante op 39 1904 schirmer

[livres le royaume enchanté fnac](#) - May 12 2023

web les meilleurs livres de le royaume enchanté le royaume enchanté le royaume enchanté 01 le palais du roi merry roman junior dès 9 ans ebook epub le royaume enchanté valérie mouriaux rosie banks 4 49

[le royaume enchante un livre de coloriage pour adultes](#) - Feb 26 2022

web le royaume enchante un livre de coloriage pour adultes invitant au rêve et à la détente dannenmann alexandra amazon com tr kitap

**le royaume enchanté sorbonne université** - Apr 11 2023

web le coup d État du 24 avril 1617 marque l invention d un nouveau personnage littéraire le favori dès 1617 des fictions narratives transposent sous le voile de l allégorie la funeste destinée de concini et légitime par leur discours pathétique et *tournee royaume enchante* - Dec 07 2022

web découvrez un espace numérique sécurisé exclusivement réservé à la presse et aux médias afin de faciliter nos échanges et votre communication sur notre spectacle vous pouvez accéder à cette page et bénéficiez de tous nos supports top of page accueil videos references spectacle l equipe artistique synopsis

[le royaume enchanté james b stewart babelio](#) - Aug 15 2023

web aug 25 2011 bienvenue dans le monde merveilleux de disney un royaume enchanté gouverné par le roi argent et la

reine opacité oubliez quelques instants la magie des dessins animés l univers magico artificiel de disneyland et plongez au **royaume enchanté le pays des contes wiki once upon a** - Nov 06 2022

web le royaume enchanté ou pays des contes est un monde où la magie prédomine et divisé en plusieurs royaumes chacun contrôlé par une autorité différente les détails de ce partage restent flous étant donné que plusieurs rois

**enchanté türkçe çeviri örnekler fransızca reverso context** - Jun 01 2022

web je suis enchanté mme white tanıştığımıza memnun oldum bayan white mon âme est un bateau enchanté qui flotte comme un cygne endormi ruhum büyümlü bir tekne tıpkı uyuyarak yüzen bir kuğu je n ai pas besoin d un miroir enchanté pour reconnaître un monstre canavar olduğunu görmek için büyümlü bir aynaya ihtiyacım yok

spectacle pour enfants royaume enchante - Feb 09 2023

web le royaume enchante est un formidable spectacle interactif pour enfants une comédie musicale riche en moyens techniques pour entraîner le public dans une aventure rebondissante tourneur producteur et organisateur n hésitez pas à nous contacter pour connaître nos tarifs et disponibilités

**le royaume enchanté cartonné paul kidby vanessa kidby** - Sep 04 2022

web le royaume enchanté paul kidby vanessa kidby daniel maghen eds des milliers de livres avec la livraison chez vous en 1 jour ou en magasin avec 5 de réduction le royaume enchanté cartonné paul kidby vanessa kidby achat livre fnac

**le royaume enchanté cairn info** - Jul 02 2022

web résumé plan auteur sur un sujet proche acheter français le coup d État du 24 avril 1617 marque l invention d un nouveau personnage littéraire le favori dès 1617 des fictions narratives transposent sous le voile de l allégorie la funeste destinée de concini et légitime par leur discours pathétique et leur visée eschatologique le geste royal

**le royaume enchanté leroyaumeenchante instagram** - Jan 08 2023

web 1 249 followers 334 following 122 posts see instagram photos and videos from le royaume enchanté leroyaumeenchante le royaume enchanté de tony blair documents 57 auclair - Apr 30 2022

web le royaume enchanté de tony blair documents 57 auclair philippe amazon com tr kitap

le royaume enchanté fnac - Dec 27 2021

web tous l univers le royaume enchanté à la fnac découvrez tous les produits les actus et les avis

*le royaume enchanté tome 1 le royaume enchanté 01 fnac* - Jun 13 2023

web un jour elles trouvent une étrange boîte qui leur permet de se projeter dans un monde magique et féerique le royaume enchanté leur première mission sera d aider le roi à protéger son palais de la sorcière malice

**le royaume enchanté bibliothèque rose verte** - Mar 10 2023

web le royaume enchanté 6 8 ans dans un monde où la magie devient réalité trois meilleures amies vivent des aventures

incroyables rejoins ellie summer et jasmine et vole avec elles dans l univers féérique du royaume enchanté collection  
*descendants film 2015 allociné* - Mar 30 2022

web feb 1 2016 dans le royaume enchanté d auradon le prince ben fils de la bête et de la belle devenus roi et reine se  
prépare à monter sur le trône sa première décision officielle permettre aux

**le royaume enchanté tome 11 le royaume enchanté 11 fnac** - Oct 05 2022

web résumé ellie summer et jasmine sont invitées dans la forêt des contes de fées ici les livres poussent sur les arbres mais  
la terrible reine malice s apprête à tout détruire les fillettes parviendront elles à récupérer le bourgeon de livre dont elles ont  
besoin pour soigner le roi merry caractéristiques voir tout date de parution

vce exam simulators instant download avanset - May 11 2023

web jan 7 2009 visual certexam designer allows you to create and edit your own professional practice exams it is designed  
first of all for authors involved in practice

visual certexam suite giveaway download basket - Feb 25 2022

web visual certexam manager 1 95 work with a test engine for building training exam courses check out the options for  
importing and displaying data suitable for training to complete

*vce exam simulators realistic certification exams avanset* - Jul 01 2022

web the best visual certexam suite alternatives are respondus skyprep and profexam simulator our crowd sourced lists  
contains five apps similar to visual certexam suite

**visual certexam manager download softsea** - Mar 09 2023

web feb 14 2023 software for windows software for mac mobile apps introducing the new avanset vce exam simulators  
realistic exam simulation exam editor with preview

**download visual certexam manager apponic** - Mar 29 2022

web oct 28 2022 visual certexam suite download on our website you can find a free download of visual certexam suite 3 2 1  
according to the system requirements the

winehq visual certexam manager - Dec 06 2022

web feb 5 2014 visual certexam suite is an application that allows you to create your own practice exams as well as edit and  
take them the program was designed specifically for

**download vce manager full version free suggestions** - Jan 27 2022

web trusted windows pc download visual certexam manager 1 95 0 954 virus free and 100 clean download get visual  
certexam manager alternative downloads

*vce exam simulator exam files* - Sep 03 2022

web nov 5 2012 68 subscribers subscribe 109 51k views 10 years ago visual certexam suite 3 0 1 is a latest test engine designed specifically for open vce files for certification

**how to download and install visual certexam manager 3 0 1 wi** - Nov 24 2021

web jul 21 2011 visual certexam suite includes two applications visual certexam designer allows you to create and edit your own professional practice exams it is designed first of

*visual certexam suite 3 4 2 download bytesin* - Nov 05 2022

web the version is 3 3 visual certexam manager is a test engine designed specifically for certification exam preparation it allows you to take practice tests in an environment very

*vce exam simulator software avanset products* - Jan 07 2023

web visual certexam manager is designed for taking exams created with visual certexam designer the application interface provides the most realistic simulation of the real

*visual certexam suite alternatives top 5 exam simulators and* - May 31 2022

web visual certexam suite software is a user friendly platform for creating and taking practice exams finn visual certexam suite is a test engine designed specifically for

*visual certexam suite products avanset* - Jul 13 2023

web visual certexam suite includes two applications visual certexam designer and visual certexam manager visual certexam designer allows you to create and edit your own

**download visual certexam manager softsea** - Oct 04 2022

web vce exam simulator the visual certexam manager interface functions as a realistic simulation of the actual certification exam download url avanset vce exam

download visual certexam free - Oct 24 2021

**visual certexam suite free download and software reviews** - Jun 12 2023

web feb 14 2023 a desktop exam engine for certification exam preparation create edit and take exams that are just like the real thing learn more vce simulator get started

**visual certexam suite 3 0 1 how to open vce files youtube** - Aug 02 2022

web pass your exam by practicing with avanset exam simulator 4 8 5 rated by 11 397 customers realistic exam simulation create edit practice and pass several types of

**visual certexam suite download** - Apr 10 2023

web visual certexam manager is a test engine designed specifically for certification exam preparation it allows you to take

practice tests in an environment very similar to a real

*visual certexam manager free version download for pc* - Aug 14 2023

web dec 27 2022 visual certexam manager works fine with 32 bit versions of windows xp xp professional vista 7 8 10 11 vce

is the extension this pc software can process

*visual certexam suite sofradar* - Apr 29 2022

web feb 1 2009 visual certexam manager information version 1 9 980 date 02 01 09 license trial language english file size 1

38mb developer visual certexam software

*download visual certexam manager 1 95 0 954 for free* - Dec 26 2021

web may 12 2023 visual certexam manager is a test engine that allows you to create edit and take practice exams in a

realistic environment it is part of the visual certexam

**vce exam simulator vce player vce designer avanset** - Feb 08 2023

web loved by thousands of professionals microsoft az 104 was a difficult exam to crack but vce exam simulator did the

impossible it not only provided me the relevant knowledge