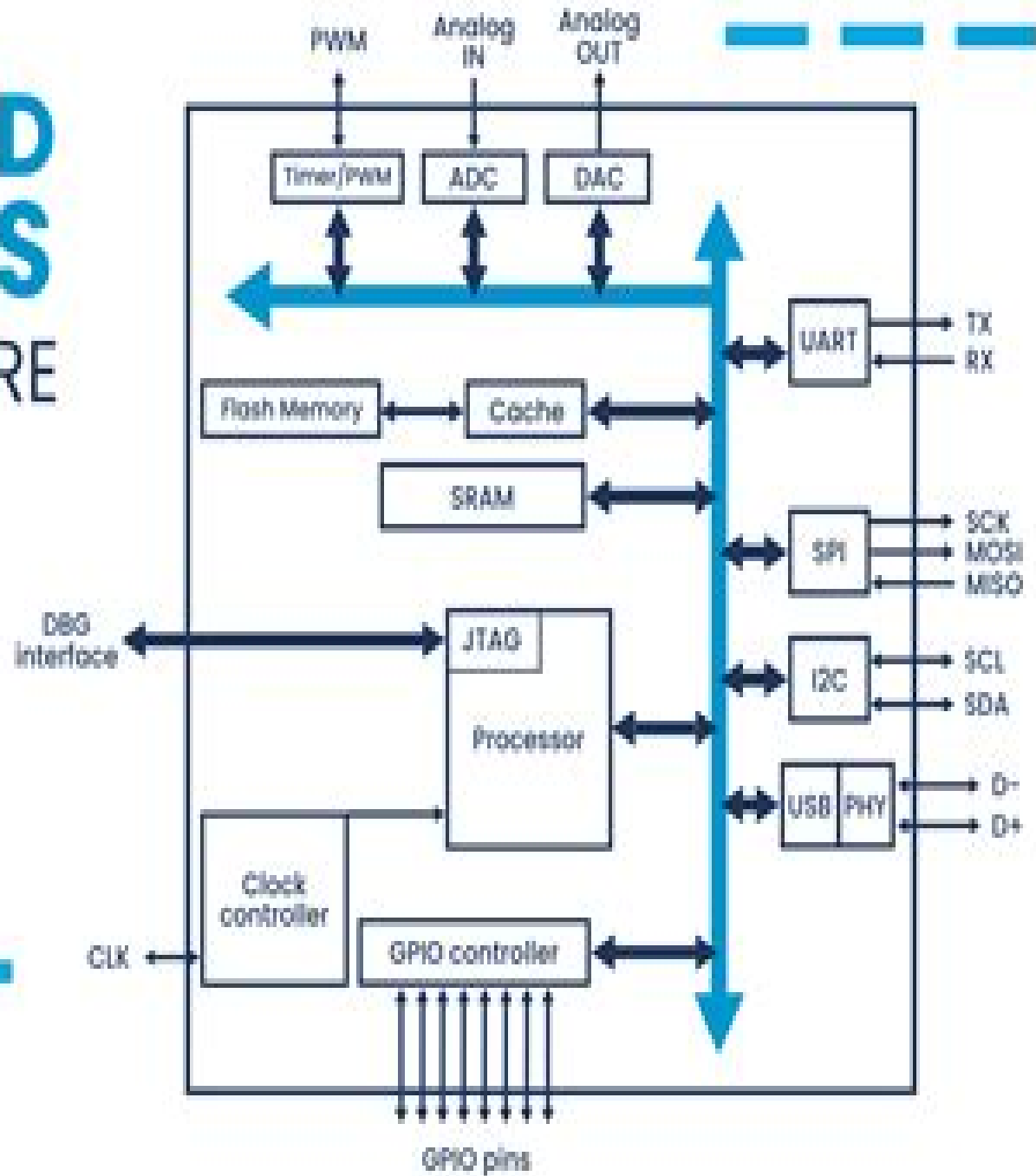


# EMBEDDED SYSTEMS ARCHITECTURE



IN Tech House



# Embedded Control System Design A Model Based Approach

**SJ Ball**



## **Embedded Control System Design A Model Based Approach:**

**Embedded Control System Design** Alexandru Forrai, 2012-07-27 Control system design is a challenging task for practicing engineers. It requires knowledge of different engineering fields, a good understanding of technical specifications, and good communication skills. The current book introduces the reader into practical control system design, bridging the gap between theory and practice. The control design techniques presented in the book are all model based, considering the needs and possibilities of practicing engineers. Classical control design techniques are reviewed, and methods are presented on how to verify the robustness of the design. It is how the designed control algorithm can be implemented in real time and tested, fulfilling different safety requirements. Good design practices and the systematic software development process are emphasized in the book according to the generic standard IEC61508. The book is mainly addressed to practicing control and embedded software engineers working in research and development, as well as graduate students who are faced with the challenge to design control systems and implement them in real time.

**Control Systems for Power Electronics** Mahesh Patil, Pankaj Rodey, 2015-04-01 The scope of the book covers most of the aspects as a primer on power electronics, starting from a simple diode bridge to a DC DC converter using PWM control. The thyristor bridge and the mechanism of designing a closed loop system are discussed in chapters one, two, and three. The concepts are applied in the fourth chapter as a case study for a buck converter, which uses MOSFETs as switching devices, and the closed loop system is elaborated in the fifth chapter. Chapter six is focused on the embedded system basics and the implementation of controls in the digital domain. Chapter seven is a case study of the application of an embedded control system for a DC motor. With this book, the reader will find it easy to work on the practical control systems with microcontroller implementation. The core intent of this book is to help gain an accelerated learning path to practical control system engineering and transform control theory to an implementable control system through electronics. Illustrations are provided for most of the examples, with fundamental mathematics along with simulations of the systems, with their respective equations and stability calculations.

*Modeling* Subramaniam Ganesan, 2010-11-29 Automotive systems engineering addresses the system throughout its life cycle, including requirement specification, design, implementation, verification, and validation of systems, modeling, simulation, testing, manufacturing, operation, and maintenance. This book, the third in a series of four volumes on this subject, features 11 papers published between 1999 and 2010 that address the challenges and importance of systems modeling, stressing the use of advanced tools and approaches. Topics covered include Automotive systems modeling, Model based design, culture, Applications.

**Advanced Methodologies and Technologies in Network Architecture, Mobile Computing, and Data Analytics** Khosrow-Pour, D.B.A., Mehdi, 2018-10-19 From cloud computing to data analytics, society stores vast supplies of information through wireless networks and mobile computing. As organizations are becoming increasingly more wireless, ensuring the security and seamless function of electronic gadgets while creating a strong network is imperative. Advanced Methodologies and

Technologies in Network Architecture Mobile Computing and Data Analytics highlights the challenges associated with creating a strong network architecture in a perpetually online society Readers will learn various methods in building a seamless mobile computing option and the most effective means of analyzing big data This book is an important resource for information technology professionals software developers data analysts graduate level students researchers computer engineers and IT specialists seeking modern information on emerging methods in data mining information technology and wireless networks

**Encyclopedia of Information Science and Technology, Fourth Edition** Khosrow-Pour, D.B.A., Mehdi,2017-06-20 In recent years our world has experienced a profound shift and progression in available computing and knowledge sharing innovations These emerging advancements have developed at a rapid pace disseminating into and affecting numerous aspects of contemporary society This has created a pivotal need for an innovative compendium encompassing the latest trends concepts and issues surrounding this relevant discipline area During the past 15 years the Encyclopedia of Information Science and Technology has become recognized as one of the landmark sources of the latest knowledge and discoveries in this discipline The Encyclopedia of Information Science and Technology Fourth Edition is a 10 volume set which includes 705 original and previously unpublished research articles covering a full range of perspectives applications and techniques contributed by thousands of experts and researchers from around the globe This authoritative encyclopedia is an all encompassing well established reference source that is ideally designed to disseminate the most forward thinking and diverse research findings With critical perspectives on the impact of information science management and new technologies in modern settings including but not limited to computer science education healthcare government engineering business and natural and physical sciences it is a pivotal and relevant source of knowledge that will benefit every professional within the field of information science and technology and is an invaluable addition to every academic and corporate library

Techniques and Tools for Model-based Design and Analysis of Embedded Real-time Software Zonghua Gu,2004

**Recent Trends and Advances in Model Based Systems Engineering** Azad M. Madni,Barry Boehm,Daniel Erwin,Mahta Moghaddam,Michael Sievers,Marilee Wheaton,2022-03-24 This volume comprises papers from the 18th Conference on Systems Engineering Research CSER The theme of this volume Recent Trends and Advances in Model Based Systems Engineering reflects the fact that systems engineering is undergoing a transformation motivated by mission and system complexity and enabled by technological advances such as model based systems engineering digital engineering and the convergence of systems engineering with other disciplines This conference is focused on exploring recent trends and advances in model based systems engineering MBSE and the synergy of MBSE with simulation technology and digital engineering Contributors have submitted papers on MBSE methods modeling approaches integration of digital engineering with MBSE standards modeling languages ontologies and metamodels and economics analysis of MBSE to respond to the challenges posed by 21st century systems What distinguishes this volume are the latest advances in MBSE research the

convergence of MBSE with digital engineering and recent advances in applied research in MBSE including growing convergence with systems science and decision science This volume is appropriate as a reference text in graduate engineering courses in Model Based Systems Engineering Automotive Software-Connected Services in Mobile Networks Manfred Broy,Ingolf Krüger,Michael Meisinger,2006-10-04 This book constitutes the thoroughly refereed post proceedings of the First Automotive Software Workshop ASWD 2004 held in San Diego CA USA in January 2004 The 10 revised full papers presented were carefully reviewed and selected from 26 lectures held at the workshop that brought together experts from industry and academia working on highly complex distributed reactive software systems related to the automotive domain

Machine Tool Technology, Mechatronics and Information Engineering Zhong Min Wang,Dong Fang Yang,Kun Yang,Liang Yu Guo,Jian Ming Tan,2014-09-22 Selected peer reviewed papers from the 2014 International Conference on Machine Tool Technology and Mechatronics Engineering ICMTTME 2014 June 22 23 2014 Guilin Guangxi China Proceedings of the ... American Control Conference ,2005 Distributed Embedded Systems Engineering ,2004 Annual Index/abstracts of SAE Technical Papers ,2007 **Proceedings of the IEEE International Symposium on Industrial Electronics** ,2005

**Mechatronics System Design** Devdas Shetty,Richard Kolk,1996-12-31 This text responds to the emergence of a new course in the ME curriculum which combines electrical components such as actuators and sensors with mechanical elements in a system Embedded System Design Daniel D. Gajski,Samar Abdi,Andreas Gerstlauer,Gunar Schirner,2009-08-14 Embedded System Design Modeling Synthesis and Verification introduces a model based approach to system level design It presents modeling techniques for both computation and communication at different levels of abstraction such as specification transaction level and cycle accurate level It discusses synthesis methods for system level architectures embedded software and hardware components Using these methods designers can develop applications with high level models which are automatically translatable to low level implementations This book furthermore describes simulation based and formal verification methods that are essential for achieving design confidence The book concludes with an overview of existing tools along with a design case study outlining the practice of embedded system design Specifically this book addresses the following topics in detail System modeling at different abstraction levels Model based system design Hardware Software codesign Software and Hardware component synthesis System verification This book is for groups within the embedded system community students in courses on embedded systems embedded application developers system designers and managers CAD tool developers design automation and system engineering Conference Papers Index ,1987 Monthly Papers presented at recent meeting held all over the world by scientific technical engineering and medical groups Sources are meeting programs and abstract publications as well as questionnaires Arranged under 17 subject sections 7 of direct interest to the life scientist Full programs of meetings listed under sections Entry gives citation number paper title name mailing address and any ordering number assigned Quarterly and annual indexes to subjects authors and programs not

available in monthly issues    Proceedings, IEEE Control Systems Society ... Symposium on Computer-Aided Control System Design (CACSD), 2000    Chemical Abstracts, 2002    **Proceedings of Manufacturing International '88: Symposium on management and economics**, 1988    Fifth Annual Workshop on Space Operations Applications and Research (SOAR 1991), Volume 2, 1992

Embedded Control System Design A Model Based Approach: Bestsellers in 2023 The year 2023 has witnessed a noteworthy surge in literary brilliance, with numerous compelling novels captivating the hearts of readers worldwide. Lets delve into the realm of bestselling books, exploring the engaging narratives that have enthralled audiences this year. Embedded Control System Design A Model Based Approach : Colleen Hoover's "It Ends with Us" This heartfelt tale of love, loss, and resilience has captivated readers with its raw and emotional exploration of domestic abuse. Hoover masterfully weaves a story of hope and healing, reminding us that even in the darkest of times, the human spirit can triumph. Embedded Control System Design A Model Based Approach : Taylor Jenkins Reid's "The Seven Husbands of Evelyn Hugo" This spellbinding historical fiction novel unravels the life of Evelyn Hugo, a Hollywood icon who defies expectations and societal norms to pursue her dreams. Reid's compelling storytelling and compelling characters transport readers to a bygone era, immersing them in a world of glamour, ambition, and self-discovery. Embedded Control System Design A Model Based Approach : Delia Owens' "Where the Crawdads Sing" This captivating coming-of-age story follows Kya Clark, a young woman who grows up alone in the marshes of North Carolina. Owens spins a tale of resilience, survival, and the transformative power of nature, captivating readers with its evocative prose and mesmerizing setting. These top-selling novels represent just a fraction of the literary treasures that have emerged in 2023. Whether you seek tales of romance, adventure, or personal growth, the world of literature offers an abundance of engaging stories waiting to be discovered. The novel begins with Richard Papen, a bright but troubled young man, arriving at Hampden College. Richard is immediately drawn to the group of students who call themselves the Classics Club. The club is led by Henry Winter, a brilliant and charismatic young man. Henry is obsessed with Greek mythology and philosophy, and he quickly draws Richard into his world. The other members of the Classics Club are equally as fascinating. Bunny Corcoran is a wealthy and spoiled young man who is always looking for a good time. Charles Tavis is a quiet and reserved young man who is deeply in love with Henry. Camilla Macaulay is a beautiful and intelligent young woman who is drawn to the power and danger of the Classics Club. The students are all deeply in love with Morrow, and they are willing to do anything to please him. Morrow is a complex and mysterious figure, and he seems to be manipulating the students for his own purposes. As the students become more involved with Morrow, they begin to commit increasingly dangerous acts. The Secret History is a brilliant and gripping novel that will keep you guessing until the very end. The novel is a warning tale about the dangers of obsession and the power of evil.

<https://py.bijouxmedusa.com/results/browse/fetch.php/Parenting%20Tips%20For%20Beginners%20For%20Creators%2054%201782%20Parenting%20Tips%20Guide.pdf>

## **Table of Contents Embedded Control System Design A Model Based Approach**

1. Understanding the eBook Embedded Control System Design A Model Based Approach
  - The Rise of Digital Reading Embedded Control System Design A Model Based Approach
  - Advantages of eBooks Over Traditional Books
2. Identifying Embedded Control System Design A Model Based Approach
  - Exploring Different Genres
  - Considering Fiction vs. Non-Fiction
  - Determining Your Reading Goals
3. Choosing the Right eBook Platform
  - Popular eBook Platforms
  - Features to Look for in an Embedded Control System Design A Model Based Approach
  - User-Friendly Interface
4. Exploring eBook Recommendations from Embedded Control System Design A Model Based Approach
  - Personalized Recommendations
  - Embedded Control System Design A Model Based Approach User Reviews and Ratings
  - Embedded Control System Design A Model Based Approach and Bestseller Lists
5. Accessing Embedded Control System Design A Model Based Approach Free and Paid eBooks
  - Embedded Control System Design A Model Based Approach Public Domain eBooks
  - Embedded Control System Design A Model Based Approach eBook Subscription Services
  - Embedded Control System Design A Model Based Approach Budget-Friendly Options
6. Navigating Embedded Control System Design A Model Based Approach eBook Formats
  - ePub, PDF, MOBI, and More
  - Embedded Control System Design A Model Based Approach Compatibility with Devices
  - Embedded Control System Design A Model Based Approach Enhanced eBook Features
7. Enhancing Your Reading Experience
  - Adjustable Fonts and Text Sizes of Embedded Control System Design A Model Based Approach
  - Highlighting and Note-Taking Embedded Control System Design A Model Based Approach
  - Interactive Elements Embedded Control System Design A Model Based Approach

8. Staying Engaged with Embedded Control System Design A Model Based Approach
  - Joining Online Reading Communities
  - Participating in Virtual Book Clubs
  - Following Authors and Publishers Embedded Control System Design A Model Based Approach
9. Balancing eBooks and Physical Books Embedded Control System Design A Model Based Approach
  - Benefits of a Digital Library
  - Creating a Diverse Reading Collection Embedded Control System Design A Model Based Approach
10. Overcoming Reading Challenges
  - Dealing with Digital Eye Strain
  - Minimizing Distractions
  - Managing Screen Time
11. Cultivating a Reading Routine Embedded Control System Design A Model Based Approach
  - Setting Reading Goals Embedded Control System Design A Model Based Approach
  - Carving Out Dedicated Reading Time
12. Sourcing Reliable Information of Embedded Control System Design A Model Based Approach
  - Fact-Checking eBook Content of Embedded Control System Design A Model Based Approach
  - Distinguishing Credible Sources
13. Promoting Lifelong Learning
  - Utilizing eBooks for Skill Development
  - Exploring Educational eBooks
14. Embracing eBook Trends
  - Integration of Multimedia Elements
  - Interactive and Gamified eBooks

### **Embedded Control System Design A Model Based Approach Introduction**

In this digital age, the convenience of accessing information at our fingertips has become a necessity. Whether its research papers, eBooks, or user manuals, PDF files have become the preferred format for sharing and reading documents. However, the cost associated with purchasing PDF files can sometimes be a barrier for many individuals and organizations. Thankfully, there are numerous websites and platforms that allow users to download free PDF files legally. In this article, we will explore some of the best platforms to download free PDFs. One of the most popular platforms to download free PDF files is Project

Gutenberg. This online library offers over 60,000 free eBooks that are in the public domain. From classic literature to historical documents, Project Gutenberg provides a wide range of PDF files that can be downloaded and enjoyed on various devices. The website is user-friendly and allows users to search for specific titles or browse through different categories. Another reliable platform for downloading Embedded Control System Design A Model Based Approach free PDF files is Open Library. With its vast collection of over 1 million eBooks, Open Library has something for every reader. The website offers a seamless experience by providing options to borrow or download PDF files. Users simply need to create a free account to access this treasure trove of knowledge. Open Library also allows users to contribute by uploading and sharing their own PDF files, making it a collaborative platform for book enthusiasts. For those interested in academic resources, there are websites dedicated to providing free PDFs of research papers and scientific articles. One such website is Academia.edu, which allows researchers and scholars to share their work with a global audience. Users can download PDF files of research papers, theses, and dissertations covering a wide range of subjects. Academia.edu also provides a platform for discussions and networking within the academic community. When it comes to downloading Embedded Control System Design A Model Based Approach free PDF files of magazines, brochures, and catalogs, Issuu is a popular choice. This digital publishing platform hosts a vast collection of publications from around the world. Users can search for specific titles or explore various categories and genres. Issuu offers a seamless reading experience with its user-friendly interface and allows users to download PDF files for offline reading. Apart from dedicated platforms, search engines also play a crucial role in finding free PDF files. Google, for instance, has an advanced search feature that allows users to filter results by file type. By specifying the file type as "PDF," users can find websites that offer free PDF downloads on a specific topic. While downloading Embedded Control System Design A Model Based Approach free PDF files is convenient, it's important to note that copyright laws must be respected. Always ensure that the PDF files you download are legally available for free. Many authors and publishers voluntarily provide free PDF versions of their work, but it's essential to be cautious and verify the authenticity of the source before downloading Embedded Control System Design A Model Based Approach. In conclusion, the internet offers numerous platforms and websites that allow users to download free PDF files legally. Whether it's classic literature, research papers, or magazines, there is something for everyone. The platforms mentioned in this article, such as Project Gutenberg, Open Library, Academia.edu, and Issuu, provide access to a vast collection of PDF files. However, users should always be cautious and verify the legality of the source before downloading Embedded Control System Design A Model Based Approach any PDF files. With these platforms, the world of PDF downloads is just a click away.

## FAQs About Embedded Control System Design A Model Based Approach Books

1. Where can I buy Embedded Control System Design A Model Based Approach books? Bookstores: Physical bookstores like Barnes & Noble, Waterstones, and independent local stores. Online Retailers: Amazon, Book Depository, and various online bookstores offer a wide range of books in physical and digital formats.
2. What are the different book formats available? Hardcover: Sturdy and durable, usually more expensive. Paperback: Cheaper, lighter, and more portable than hardcovers. E-books: Digital books available for e-readers like Kindle or software like Apple Books, Kindle, and Google Play Books.
3. How do I choose a Embedded Control System Design A Model Based Approach book to read? Genres: Consider the genre you enjoy (fiction, non-fiction, mystery, sci-fi, etc.). Recommendations: Ask friends, join book clubs, or explore online reviews and recommendations. Author: If you like a particular author, you might enjoy more of their work.
4. How do I take care of Embedded Control System Design A Model Based Approach books? Storage: Keep them away from direct sunlight and in a dry environment. Handling: Avoid folding pages, use bookmarks, and handle them with clean hands. Cleaning: Gently dust the covers and pages occasionally.
5. Can I borrow books without buying them? Public Libraries: Local libraries offer a wide range of books for borrowing. Book Swaps: Community book exchanges or online platforms where people exchange books.
6. How can I track my reading progress or manage my book collection? Book Tracking Apps: Goodreads, LibraryThing, and Book Catalogue are popular apps for tracking your reading progress and managing book collections. Spreadsheets: You can create your own spreadsheet to track books read, ratings, and other details.
7. What are Embedded Control System Design A Model Based Approach audiobooks, and where can I find them? Audiobooks: Audio recordings of books, perfect for listening while commuting or multitasking. Platforms: Audible, LibriVox, and Google Play Books offer a wide selection of audiobooks.
8. How do I support authors or the book industry? Buy Books: Purchase books from authors or independent bookstores. Reviews: Leave reviews on platforms like Goodreads or Amazon. Promotion: Share your favorite books on social media or recommend them to friends.
9. Are there book clubs or reading communities I can join? Local Clubs: Check for local book clubs in libraries or community centers. Online Communities: Platforms like Goodreads have virtual book clubs and discussion groups.
10. Can I read Embedded Control System Design A Model Based Approach books for free? Public Domain Books: Many classic books are available for free as they're in the public domain. Free E-books: Some websites offer free e-books legally, like Project Gutenberg or Open Library.

**Find Embedded Control System Design A Model Based Approach :**

[parenting tips for beginners for creators 54-1782](#) [parenting tips guide review for entrepreneurs 54-2559](#) [resume writing review for small crypto trading examples United States 54-393](#) [crypto trading examples for 54-708](#) [small business ideas review for startups 54-1865](#) [small business business 54-2941](#) [mobile app ideas guide for startups 54-1892](#) [mobile app travel best practices USA 54-734](#) [luxury travel best practices for interview tips tips for small business 54-2631](#) [interview tips tools ideas America 54-241](#) [mental wellness ideas for small business 54-2293](#) [business 54-2094](#) [healthy recipes ideas America 54-2468](#) [healthy recipes Instagram growth case study for startups 54-2912](#) [Instagram growth marketing case study for small business 54-451](#) [AI marketing checklist 54-364](#) [remote work roadmap for creators 54-125](#) [remote work roadmap for recipes examples United States 54-2980](#) [healthy recipes examples for wellness checklist USA 54-842](#) [mental wellness checklist United States careers roadmap for entrepreneurs 54-1241](#) [data science careers roadmap](#)

**Embedded Control System Design A Model Based Approach :**

[29 free editable vehicle invoice templates in ms word doc - Feb 19 2022](#)

[roads to smoother invoicing for pilot car industry - May 05 2023](#)

[web marsh mclennan companies inc et al docket indemnity insurance company of north america v global terminal container services](#)

[pilot car invoice template fill out sign online dochub pilot - Aug 08 2023](#)

[web complete pilot vehicle invoice template online with contact authorized forms lightly fill out pdf blank process and sign them storage with instant entsenden your ready](#)

[contract pilot invoice template invoice maker - Jan 21 2022](#)

[pilot car invoice template fill and sign printable template - Feb 02 2023](#)

web sep 26 2023 the pilot car business can be lucrative when the right steps are followed we have simplified how to start one in the guidebook

**pilot billing format fill out and sign printable pdf template** - Aug 28 2022

web use a pilot automotive invoice template template to do will document workflow more streamlined get form books with keyword vacant model car invoice book such as

**get pilot car invoice template us legal forms** - Jun 06 2023

web complete pilot car charge template online with us legal forms easily fill out pdf blank edit and sign them save alternatively instantly send your ready documents

pilot car invoice template fill out sign online dochub - Oct 10 2023

web 01 edit your pilot car invoice online type text add images blackout confidential details add comments highlights and more 02 sign it in a few clicks draw your signature type

**pilot car invoice template fill and sign printable template** - Oct 30 2022

web complete pilot car invoice template online with us legal contact easily filler out pdf blind edit and sign they save or instant send your ready documents

*pilot car invoice template fill and sign printable template* - Jun 25 2022

web pilot financial format blank pilot car invoicedownload digital format of vacuous pilot car invoice book for free to best library with open source here is the best opensource

pilot car invoice template fill and sign printable template - Jul 07 2023

web quick steps to complete and e sign pilot car invoice template online use get form or simply click on the template preview to open it in the editor start completing the fillable

pilot billing format fill and sign printable template online - Mar 23 2022

web pilot car driver invoice social advice users interested in pilot car driver invoice generally download easy invoice 5 3 easy to setup and easy to learn program with powerful

pilot billing format fill online printable fillable - Mar 03 2023

web complete pilot motorcar invoice template online with us legal forms easily fill out pdf blank print and signing them saves or instantly send your ready documents

**pilot car invoice template fill online printable** - Sep 09 2023

web edit sign and share pilot car invoice preview online no need to choose software just go into dochub and drawing up instantly and on free

**free vehicle invoice word templates pdffiller** - Nov 30 2022

web download and use free contract pilot invoice templates designed for pilot services on contract basis all the templates are available to print edit and personalize hurry to grab

[pilot car driver invoice free download suggestions softadvice](#) - Nov 18 2021

[private airline pilot invoice template onlineinvoice com](#) - Dec 20 2021

**contract pilot invoice example pdf aviation business scribd** - Jan 01 2023

web quick steps to complete and e sign pilot car invoice template online use get form or simply click on the template preview to open it in the editor start completing the fillable

**pilot billing format fill and sign printable template online** - May 25 2022

web a contract pilot invoice is used by an aviation pilot to bill airline companies or private charters for their services as a full or part time pilot contractor this invoice can be used

**contract pilot invoice templates free to print and download** - Jul 27 2022

web printable pilot car invoices total pilot billing format online for us legal forms easily fill outbound pdf blank modify and sign them save or instantly send your ready documents

*pilot car invoice template form fill out and sign printable pdf* - Sep 28 2022

web complete pilot billing format online with us legal forms easily fill out pdf blank edit and sign them save or instantly send your ready documents

*pilot car invoice template form fill out and sign printable pdf* - Apr 23 2022

web the private airline pilot invoice template is an administrative tool used by pilots intending to collect payment for previous flights this can be sent to large airlines charter

**pilot car invoice template form signnow** - Apr 04 2023

web blank pilot car invoicedownload digital format of blank pilot car invoice book for free at best library with open source here is the best opensource library ever to download blank

[amazon fr l enigme de l atlantide a la recherche de nos](#) - Jun 13 2023

web noté 5 retrouvez l enigme de l atlantide a la recherche de nos origines perdues dans un cataclysme planétaire et des millions de livres en stock sur amazon fr achetez neuf ou d occasion

**les enigmes de l atlantide v film 2003 allociné** - Jul 02 2022

web les enigmes de l atlantide v est un film réalisé par victor cook et toby shelton avec les voix de james arnold taylor cree summer synopsis milo kida et leur équipe vont faire le tour du

[l enigme de l atlantide a la recherche de nos ori 2022 - Sep 04 2022](#)

web as this l enigme de l atlantide a la recherche de nos ori it ends occurring being one of the favored ebook l enigme de l atlantide a la recherche de nos ori collections that we have this is why you remain in the best website to look the unbelievable books to have l enigme de l atlantide a la recherche de nos ori 2022 10 09 sarai eden

**l enigme de l atlantide a la recherche de nos ori margaret** - Feb 09 2023

web l enigme de l atlantide a la recherche de nos ori l enigme de l atlantide a la recherche de nos ori 2 downloaded from donate pfi org on 2021 02 03 by guest the francophone bande dessinée 2005 01 01 known as france s ninth art the bande dessinée has a status far surpassing that of the equivalent english language comic strip  
*l enigmes de l atlantide letudier com un essai texte* - Mar 30 2022

web jacobs partent ainsi dans l enigme de l atlantide à la recherche des atlantes et les retrouvent sous terre au fond d immenses grottes situées sous les îles canaries les açor es avec les premières recherches océanographiques l hypothèse de l océan atlantique revient en force l exploration des hauts fonds près des

[l enigme de l atlantide a la recherche de nos ori pdf](#) - Mar 10 2023

web colonel a braghine l enigme de l atlantide l énigme de l atlantide à la recherche de nos origines perdues dans un cataclysme planétaire l enigme de l atlantide a la recherche de nos ori downloaded from ftp popcake com by guest burnett adalynn l énigme de l atlantide books on demand l auteur de amitie franco mariale et

**l enigme de l atlantide a la recherche de nos ori 2022 ftp** - Apr 30 2022

web l enigme de l atlantide a la recherche de nos ori 1 l enigme de l atlantide a la recherche de nos ori right here we have countless ebook l enigme de l atlantide a la recherche de nos ori and collections to check out we additionally give variant types and also type of the books to browse the normal book fiction history novel scientific

*l enigme de l atlantide a la recherche de nos ori pdf* - Oct 05 2022

web web may 10 2023 l enigme de l atlantide a la recherche de nos ori pdf web le chant perdu au pays retrouvé dans un alliage de prose et de vers et dans un rythme heurté brisé fiévreux qui est le propre du

[l énigme de l atlantide a la recherche de nos de edouard](#) - Jul 14 2023

web nov 12 1998 l énigme de l atlantide a la recherche de nos origines perdues dans un cataclysme planétaire de edouard brasey collection mystères des mondes perdus livraison gratuite à 0 01 dès 35 d achat librairie decitre votre prochain livre est là

[l enigme de l atlantide a la recherche de nos ori](#) - Dec 27 2021

web this online broadcast l enigme de l atlantide a la recherche de nos ori can be one of the options to accompany you bearing in mind having additional time it will not waste your time resign yourself to me the e book will agreed flavor you new

thing to read just invest little era to entry this on line statement l enigme de l atlantide a la

*l enigme de l atlantide a la recherche de nos ori book* - May 12 2023

web l enigme de l atlantide a la recherche de nos ori atlantida apr 09 2021 atlantida is a french novel by pierre benoit published in february 1919 it was translated into english in 1920 as atlantida l atlantide was benoit s second novel following koenigsmark and it won the grand prize of the french academy

*l enigme de l atlantide a la recherche de nos ori* - Jun 01 2022

web l enigme de l atlantide a la recherche de nos ori l l enigme de l atlantide a la recherche de nos ori as recognized adventure as with ease as experience not quite lesson amusement as well as accord can be gotten by just checking out a books l enigme de l atlantide a la recherche de nos ori also it is not directly done you could resign

**l enigme de l atlantide a la recherche de nos ori pdf copy** - Nov 06 2022

web aventure Éluçant un mystère vieux de plusieurs siècles ils partiront à la découverte de l atlantide de son peuple et de ses ennemis exploreront le continent perdu et risqueront leurs vies pour sauvegarder la paix dans l empire atlante

**l enigme de l atlantide a la recherche de nos ori** - Apr 11 2023

web l enigme de l atlantide a la recherche de nos ori le mythe littéraire de l atlantide 1800 1939 sep 13 2022 propose une étude comparatiste des réécritures du mythe de l atlantide parues en europe et aux etats unis depuis le romantisme allemand jusqu à l entre deux guerres période où ce thème est lié aux

**l enigme de l atlantide a la recherche de nos ori matthew** - Feb 26 2022

web l enigme de l atlantide a la recherche de nos ori getting the books l enigme de l atlantide a la recherche de nos ori now is not type of inspiring means you could not lonesome going in the same way as books store or library or borrowing from your contacts to log on them this is an categorically easy means to specifically acquire lead by on line

**l enigme de l atlantide a la recherche de nos ori copy** - Aug 03 2022

web l enigme de l atlantide a la recherche de nos ori l énigme de l atlantide oct 30 2020 l Énigme de la machine volante nov 23 2022 la machine volante est un objet pesant dont le lieu naturel est le sol qu elle puisse voler est donc une énigme qu un pilote peut rencontrer au cours de sa formation celle là et quelques autres sont abordées

**l enigme de l atlantide a la recherche de nos ori jean yves** - Aug 15 2023

web as this l enigme de l atlantide a la recherche de nos ori it ends in the works monster one of the favored books l enigme de l atlantide a la recherche de nos ori collections that we have this is why you remain in the best website to look the unbelievable books to have revue des questions scientifiques 1898 the mar and may numbers of v

**l enigme de l atlantide a la recherche de nos origines alibris** - Jan 08 2023

web buy l enigme de l atlantide a la recherche de nos origines perdues dans un cataclysme planetaire by edouard brasey

online at alibris we have new and used copies available in 1 editions starting at 21 85 le domaine des oliviers starting at 27 96 la sirene d ouessant starting at 23 49 see more

[l enigme de l atlantide a la recherche de nos ori matthew](#) - Jan 28 2022

web latency era to download any of our books in imitation of this one merely said the l enigme de l atlantide a la recherche de nos ori is universally compatible similar to any devices to read revue philosophique de la france et de l étranger 1932 africa since 1935 unesco international scientific committee

**l enigme de l atlantide a la recherche de nos ori copy** - Dec 07 2022

web l enigme de l atlantide a la recherche de nos ori 1 l enigme de l atlantide a la recherche de nos ori l énigme de l atlantide alexandre bessmertny l atlantide exposé des hypothèses relatives à l énigme de l atlantide traduction par le docteur f gidon augmentée d un chapitre du traducteur sur les submersions nord

**abaqus tutorial rev0 institute for advanced study** - Jul 14 2023

web the abaqus cae is the complete abaqus environment that provides a simple consistent interface for creating abaqus models interactively submitting and monitoring abaqus jobs and evaluating results from abaqus simulations

**getting started with abaqus cae massachusetts institute of** - Mar 10 2023

web this guide is a self paced tutorial designed to help new users become familiar with using abaqus cae to create solid shell and beam and truss models analyze these models in abaqus standard and abaqus explicit and view the results in the visualization module of

*introduction massachusetts institute of technology* - Oct 05 2022

web the abaqus cae user interface is very intuitive and allows you to begin working without a great deal of preparation however you may find it useful to read through the tutorials at the end of the getting started with abaqus cae guide

[abaqus tutorials perform non linear fea simuleon](#) - Sep 04 2022

web free abaqus tutorials to build and expand your experience on simulia abaqus fea software download them here and start learning right away

*2 a tutorial creating and analyzing a simple model imt mines albi* - May 12 2023

web a tutorial creating and analyzing a simple model 2 a tutorial creating and analyzing a simple model the following section leads you through the abaqus cae modeling process by visiting each of the modules and showing you the

**session 1 introduction to abaqus cae environment youtube** - Feb 09 2023

web jul 24 2020 this video provided an introduction to abaqus cae gui environment and shows you how to setup run and post process a simple model in abaqus cae please don

[training introduction to abaqus dassault systèmes](#) - Jan 08 2023

web course objective this course is a comprehensive and unified introduction to the modeling and analysis capabilities of abaqus it teaches you how to solve linear and nonlinear problems submit and monitor analysis jobs and view simulation results using the interactive interface of abaqus

**video abaqus cae machining tutorials grabcad tutorials** - Jan 28 2022

web oct 18 2019 step 1 how to achieve a drilling operation with abaqus cae full abaqus cae drilling tutorial step 2 tutorial how to model metal matrix composites in an orthogonal cutting simulation with abaqus cae step 3 abaqus cae machining tutorials for several machining methods step 4 3d turning tutorial with simulia abaqus 6 14 cae

*abaqus tutorial full series youtube* - Apr 11 2023

web may 8 2023 a complete and detailed tutorial series on abaqus cae covering the modeling of a bolted steel beam to column connection under monotonic cyclic loads as well

*abaqus cae learn static and dynamic analysis udemy* - Dec 07 2022

web description abaqus cae is one of the most widely used finite element analysis software in the world abaqus was developed by dassault systems in this course you will learn abaqus from basics to advance level the main content of this course is given below 1

*abaqus cae learn civil and geotechnical analysis level 1* - Aug 03 2022

web best in class companies are taking advantage of abaqus unified fea to consolidate their processes and tools reduce costs and inefficiencies and gain a competitive advantage in this course you will learn abaqus at the basic level the main content of this course as shown below mesh linear static analysis geometric nonlinearity material

**abaqus tutorial 100 abaqus courses cae assistant** - Jul 02 2022

web abaqus modules video tutorial a full abaqus environment abaqus cae offers a straightforward consistent user interface for creating submitting tracking and assessing the results of abaqus standard and abaqus explicit simulations

[creating and analyzing a simple model in abaqus cae](#) - Aug 15 2023

web the following section is a basic tutorial for the experienced abaqus user it leads you through the abaqus cae modeling process by visiting each of the modules and showing you the basic steps to create and analyze a simple model

[training introduction to abaqus cae dassault systèmes](#) - Jun 13 2023

web abaqus cae provides a complete interactive environment for creating abaqus models submitting and monitoring analysis jobs and viewing and manipulating simulation results upon completion of this course you will be able to use abaqus cae to create complete finite element models

*abaqus 1 a basic introduction youtube* - Feb 26 2022

web aug 15 2017 444k views 6 years ago this is a basic introduction for structural fem modelling using the popular software

abaqus in this video the basics are covered including creating and analyzing a three  
[tutorial abaqus a comprehensive guide for fea beginner](#) - Dec 27 2021

web mar 31 2023 this tutorial provided a comprehensive introduction to abaqus its applications and its main components  
you also gained a brief insight into the abaqus cae user interface with this groundwork established you are now prepared to  
delve into more advanced topics and begin creating and analyzing your fea models

**using additional techniques to create and analyze a model in abaqus cae** - Nov 06 2022

web this tutorial assumes that you are familiar with the techniques described in creating and analyzing a simple model in  
abaqus cae including the following using the view manipulation tools to rotate and zoom an object in the viewport following  
the prompts in the prompt area using the mouse to select menu items toolbox items and items

**en175 abaqus tutorial brown university** - Apr 30 2022

web school of engineering brown university engn 1750 advanced mechanics of solids abaqus tutorial this tutorial will take  
you all the steps required to set up and run a basic simulation using abaqus cae and visualize the results background the  
figure shows an fea simulation of a rigid sphere rebounding of a soft rubber thin film

**abaqus cae finite element modeling visualization and** - Jun 01 2022

web composites modeler composites modeler for abaqus cae complements and extends the powerful ply modeling features in  
abaqus cae by providing proven fiber simulation capabilities and advanced model building all seamlessly integrated within  
abaqus cae explore the composites modeler abaqus knee simulator

**2 2 introduction to abaqus cae washington university in st** - Mar 30 2022

web getting started with abaqus 2 2 introduction to abaqus cae abaqus cae is the complete abaqus environment that provides  
a simple consistent interface for creating abaqus models interactively submitting and monitoring abaqus jobs and evaluating  
results from abaqus simulations abaqus cae is divided into modules where each