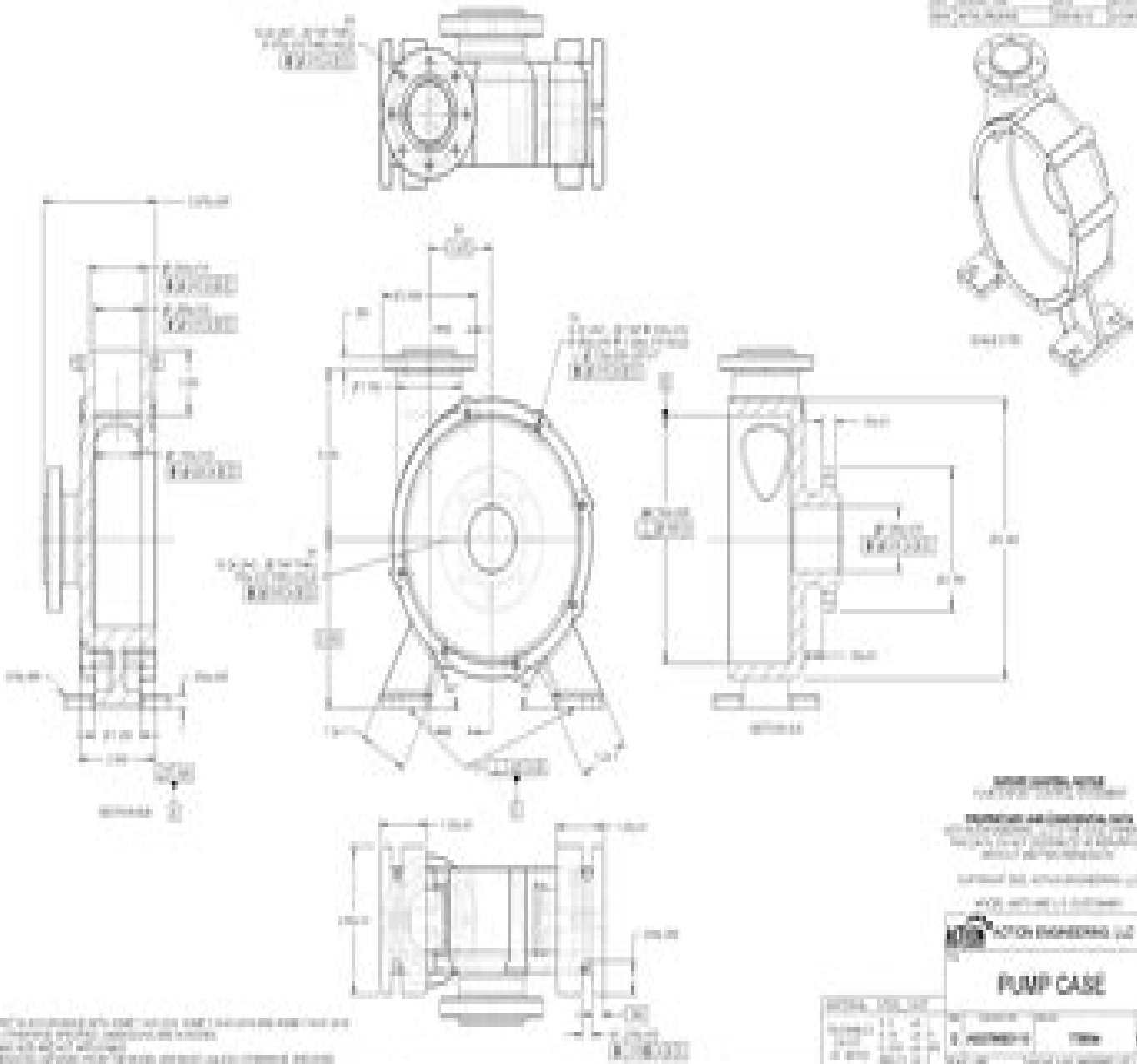


DATE	BY	CHKD



1. ALL DIMENSIONS ARE IN MILLIMETERS UNLESS OTHERWISE SPECIFIED.
 2. DIMENSIONS ARE TO BE TAKEN TO THE CENTER OF THE DIMENSION LINE.
 3. ALL DIMENSIONS OF THE PUMP CASE SHALL BE AS SHOWN ON THIS DRAWING.

DESIGNED BY: [Name]
 DRAWN BY: [Name]
 CHECKED BY: [Name]
 APPROVED BY: [Name]
ACTON ENGINEERING LLC

PUMP CASE	
DATE: 10/10/2023	BY: [Name]
TIME: 10:00 AM	FILE: [Name]
SCALE: 1:1	NO. OF SHEETS: 1

Engineering Drawing Practices Asme

Dr. Ali Jamnia



Engineering Drawing Practices Asme :

Print Reading and Engineering Drawing Practices Workbook Tony Cimabue, Al Neumann, 2012 Engineering drawings are prepared to the ASME Y14 Series of Standard Drawing and Drafting Practices accepted industry wide practices and individual company standards These standards establish uniform practices for anyone who either prepares drawings or reads the print with accepted methods to interpret the information on the drawing **Engineering Drawing Practices**, 2005 Engineering Drawing Practices, 2001 *Engineering Drawing Practices*, 2001 **Manual of Engineering Drawing** Colin H. Simmons, Dennis E. Maguire, 2009-03-24 The Manual of Engineering Drawing has long been the recognised as a guide for practicing and student engineers to producing engineering drawings and annotated 3D models that comply with the latest British and ISO Standards of Technical Product Specifications and Documentation This new edition has been updated to include the requirements of BS8888 2008 and the relevant ISO Standards and is ideal for International readership it includes a guide to the fundamental differences between the ISO and ASME Standards relating to Technical Product Specification and Documentation Equally applicable to CAD and manual drawing it includes the latest development in 3D annotation and the specification of surface texture The Duality Principle is introduced as this important concept is still very relevant in the new world of 3D Technical Product Specification Written by members of BSI and ISO committees and a former college lecturer the Manual of Engineering Drawing combines up to the minute technical information with clear readable explanations and numerous diagrams and traditional geometrical construction techniques rarely taught in schools and colleges This approach makes this manual an ideal companion for students studying vocational courses in Technical Product Specification undergraduates studying engineering or product design and any budding engineer beginning a career in design The comprehensive scope of this new edition encompasses topics such as orthographic and pictorial projections dimensional geometrical and surface tolerancing 3D annotation and the duality principle along with numerous examples of electrical and hydraulic diagrams with symbols and applications of cams bearings welding and adhesives The definitive guide to draughting to the latest ISO and ASME standards An essential reference for engineers and students involved in design engineering and product design Written by two ISO committee members and practising engineers *American National Standard Engineering Drawing and Related Documentation Practices ASME Y14.3* American National Standards Institute, American Society of Mechanical Engineers, American Society of Engineering Education, 2003 *Drawing and Detailing with SOLIDWORKS 2022* David Planchard, 2022-02 Drawing and Detailing with SOLIDWORKS 2022 is written to educate and assist students designers engineers and professionals in the drawing and detailing tools of SOLIDWORKS Explore the learning process through a series of design situations industry scenarios projects and objectives target towards the beginning to intermediate SOLIDWORKS user Work through numerous activities to create multiple view multiple sheet detailed drawings and assembly drawings Develop Drawing templates Sheet formats and Custom and Link Properties

Construct drawings that incorporate part configurations assembly configurations and design tables with equations
Manipulate annotations in parts drawings assemblies Revision tables and Bills of Materials Drawing and Detailing with
SOLIDWORKS 2022 is not a reference book for all drafting and drawing techniques and tools The book provides information
and examples in the following areas History of engineering graphics manual sketching techniques orthographic projection
isometric projection multi view drawings dimensioning practices fasteners in general tolerance and fit and the history of CAD
leading to the development of SOLIDWORKS Start a SOLIDWORKS 2022 session and to understand the following interfaces
Menu bar toolbar Menu bar menu Drop down menus Context toolbars Consolidated drop down toolbars System feedback
icons Confirmation Corner Heads up View toolbar Document Properties and more Provide an understanding of how
SOLIDWORKS drawing documents and templates are created and used Create an awareness on the structure of a Drawing
document General knowledge of the ASME Y14 5 Engineering Drawing and Related Documentation Practices Create multi
sheet drawings from various part configurations and develop the following drawing views Standard Isometric Auxiliary
Section Broken Section Detail Half Section Cut away Crop Projected Back with a Bill of Materials using equations and a
Revision Table Insert and edit Dimensions Feature Control Frames Datums Geometric Tolerancing Surface Finishes and Weld
Symbols using Model Based Definitions MBD DimXpert and manual techniques Chapter 10 provides a section to review the
Certified SOLIDWORKS Associate CSWA program Understand the curriculum and categories of the CSWA exam and the
required model knowledge needed to successfully take and pass the exam Chapter 11 provides a section on the Certified
SOLIDWORKS Professional Advanced Drawing tools CSWPA DT exam with sample exam questions and initial and final
SOLIDWORKS models Understand the curriculum and categories of the exam and the required model knowledge needed to
successfully take and pass the exam The author developed the industry scenarios by combining his own industry experience
with the knowledge of engineers department managers vendors and manufacturers These professionals are directly involved
with SOLIDWORKS every day *Configuration Management, Second Edition* Jon M. Quigley, Kim L. Robertson, 2019-07-11
The book provides a comprehensive approach to configuration management from a variety of product development
perspectives including embedded and IT It provides authoritative advice on how to extend products for a variety of markets
due to configuration options The book also describes the importance of configuration management to other parts of the
organization It supplies an overview of configuration management and its process elements to provide readers with a
contextual understanding of the theory practice and application of CM The book illustrates the interplay of configuration and
data management with all enterprise resources during each phase of a product lifecycle [Design of Electromechanical and
Combination Products](#) Ali Jamnia, 2023-08-31 The second edition of this work now with the expanded title of Design of
Electromechanical and Combination Products covers the design and development of electromechanical products updated
throughout to focus not only on an Agile Systems approach but also its application to disposables and consumables Providing

a practical set of guidelines and thorough examination of best practices this book focuses on cutting edge research on sustainability of electromechanical and combination products

Key Features Presents the design development and life cycle management of electromechanical and combination products Provides a practical set of guidelines and best practices for world class design Explains the role of costing and pricing in product design Covers Design for X and its role in product life cycle management Examines the dynamics of cross functional design and product development teams Develops DHF and DMR as tools and inherent components of configuration management Includes numerous real world examples of electromechanical and combination product designs This book is intended for scientists engineers designers and technical managers and provides a gateway to developing a product s design history file DHF and device master record DMR These tools enable the design team to communicate a product s design manufacturability and service procedures with various cross functional teams

Introduction to Product Design and Development for Engineers Dr. Ali Jamnia,2018-06-12 Introduction to Product Design and Development for Engineers provides guidelines and best practices for the design development and evaluation of engineered products Created to serve fourth year undergraduate students in Engineering Design modules with a required project the text covers the entire product design process and product life cycle from the initial concept to the design and development stages and through to product testing design documentation manufacturability marketing and sustainability Reflecting the author s long career as a design engineer this text will also serve as a practical guide for students working on their capstone design projects

High-Productivity Drilling Tools Viktor P. Astakhov,2024-05-03 This completely updated volume covers tool materials tolerances an inspection of drilling tools requirements of tool drawings with examples and methodologies and procedures of failure analysis It introduces a new line of HP drilling tools called VPA designs and brings it into sharp focus signifying its importance in drilling operations High Productivity Drilling Tools Materials Metrology and Failure Analysis further develops the concept of the metrology of the drilling tools introduced in the first edition For the first time the relevant metrological parameters are clearly defined with tolerance for HPHD with practical examples of step by step inspection measurement using advanced tool measurement microscopes and CNC machines A pros and cons list as a quick and easy decision making tool for the choice of measuring equipment for a particular application is offered along with practical examples of drilling tool drawings to help tool designers cutting tool and manufacturing engineers and users in their everyday activities in the design and selection of HPDT for a particular application An unparalleled presentation of metalworking fluids MWFs a k a coolants is given and covers all the start of the business selection implementation in HPDT and drilling operation monitoring and maintenance A two step procedure for successful implementation of near dry machining NDM or minimum quantity lubrication MQL is presented and a discussion of the wear of the drilling tool its proper assessments and metrics are provided in the evaluation of tool life and quality of machined holes This practical book should be on the shelves of all industrial engineers those working in production and

manufacturing process designers tool material designers cutting tool designers and quality specialists Researchers senior undergraduate students and graduate students will also find this book full of very helpful reference information and the source of new ideas and notions in drilling tool development This book is also available as a set Drills High Productivity Drilling Tools 2 Volume Set 9781032203508 *Design of Electromechanical Products* Ali Jamnia,2016-12-08 Design development and life cycle management of any electromechanical product is a complex task that requires a cross functional team spanning multiple organizations including design manufacturing and service Ineffective design techniques combined with poor communication between various teams often leads to delays in product launches with last minute design compromises and changes The purpose of *Design of Electromechanical Products A Systems Approach* is to provide a practical set of guidelines and best practices for driving world class design development and sustainability of electromechanical products The information provided within this text is applicable across the entire span of product life cycle management from initial concept work to the detailed design analysis and development stages and through to product support and end of life It is intended for professional engineers designers and technical managers and provides a gateway to developing a product s design history file DHF and device aster record DMR These tools enable design engineers to communicate a product s design manufacturability and service procedures with various cross functional teams

SolidWorks Administration Bible Matt Lombard,2009-10-13 What you need to prepare install and maintain SolidWorks It s not enough to know how to use SolidWorks if your job also requires you to install or maintain it train new users and implement standards This in depth guide was written for those of you who have to actually manage your company s SolidWorks system From hardware selection to helping users to licensing and more this is the everyday bread and butter SolidWorks administration resource that IT and CAD managers have been seeking SolidWorks is a powerful 3D solid modeling system that is popular with CAD users everywhere but often leaves IT administrators in the dark as to how to manage it this essential guide covers SolidWorks admin for both IT staff and CAD users Walks you through preparing installing and maintaining SolidWorks Covers setting up shared libraries automated deployment tools licensing updates and upgrades support and troubleshooting standardization and collaboration Get the high level assistance you need to efficiently manage SolidWorks in your enterprise or small business Note CD ROM DVD and other supplementary materials are not included as part of eBook file *Drawing and Detailing with SolidWorks* David C. Planchard,Marie P. Planchard,2002

Index and Directory of U.S. Industry Standards ,1987 **Engineering Design Graphics Journal** ,2000 *A Commands Guide Tutorial for SolidWorks 2007* David C. Planchard,Marie P. Planchard,2007 **Engineering Drawing Practices** ,2017 **Technical Drawing 101 with AutoCAD** Douglas W. Smith,Antonio Ramirez,2009 For courses in Introduction to Technical Drawing Designed for the two year college or high school tech prep student this book offers a complete field tested curriculum for the first semester of technical drawing Its unique approach blends technical drawing

and intro to AutoCAD resulting in a book that emphasizes the fundamental concepts knowledge and skill needed for the second level courses Both mechanical and architectural projects are introduced to capture the interest of more students and to offer a broader appeal Instructor check prints and PowerPoint slides are provided to guide each lecture and the complete curriculum is designed to improve student retention and recruitment **Journal of Engineering Drawing** ,1957

Embark on a transformative journey with is captivating work, Discover the Magic in **Engineering Drawing Practices Asme** . This enlightening ebook, available for download in a convenient PDF format , invites you to explore a world of boundless knowledge. Unleash your intellectual curiosity and discover the power of words as you dive into this riveting creation. Download now and elevate your reading experience to new heights .

https://py.bijouxmedusa.com/public/virtual-library/Download_PDFS/a%20brief%20history%20of%20time%20stephen%20hawking.pdf

Table of Contents Engineering Drawing Practices Asme

1. Understanding the eBook Engineering Drawing Practices Asme
 - The Rise of Digital Reading Engineering Drawing Practices Asme
 - Advantages of eBooks Over Traditional Books
2. Identifying Engineering Drawing Practices Asme
 - Exploring Different Genres
 - Considering Fiction vs. Non-Fiction
 - Determining Your Reading Goals
3. Choosing the Right eBook Platform
 - Popular eBook Platforms
 - Features to Look for in an Engineering Drawing Practices Asme
 - User-Friendly Interface
4. Exploring eBook Recommendations from Engineering Drawing Practices Asme
 - Personalized Recommendations
 - Engineering Drawing Practices Asme User Reviews and Ratings
 - Engineering Drawing Practices Asme and Bestseller Lists
5. Accessing Engineering Drawing Practices Asme Free and Paid eBooks
 - Engineering Drawing Practices Asme Public Domain eBooks
 - Engineering Drawing Practices Asme eBook Subscription Services

- Engineering Drawing Practices Asme Budget-Friendly Options
- 6. Navigating Engineering Drawing Practices Asme eBook Formats
 - ePub, PDF, MOBI, and More
 - Engineering Drawing Practices Asme Compatibility with Devices
 - Engineering Drawing Practices Asme Enhanced eBook Features
- 7. Enhancing Your Reading Experience
 - Adjustable Fonts and Text Sizes of Engineering Drawing Practices Asme
 - Highlighting and Note-Taking Engineering Drawing Practices Asme
 - Interactive Elements Engineering Drawing Practices Asme
- 8. Staying Engaged with Engineering Drawing Practices Asme
 - Joining Online Reading Communities
 - Participating in Virtual Book Clubs
 - Following Authors and Publishers Engineering Drawing Practices Asme
- 9. Balancing eBooks and Physical Books Engineering Drawing Practices Asme
 - Benefits of a Digital Library
 - Creating a Diverse Reading Collection Engineering Drawing Practices Asme
- 10. Overcoming Reading Challenges
 - Dealing with Digital Eye Strain
 - Minimizing Distractions
 - Managing Screen Time
- 11. Cultivating a Reading Routine Engineering Drawing Practices Asme
 - Setting Reading Goals Engineering Drawing Practices Asme
 - Carving Out Dedicated Reading Time
- 12. Sourcing Reliable Information of Engineering Drawing Practices Asme
 - Fact-Checking eBook Content of Engineering Drawing Practices Asme
 - Distinguishing Credible Sources
- 13. Promoting Lifelong Learning
 - Utilizing eBooks for Skill Development
 - Exploring Educational eBooks
- 14. Embracing eBook Trends

- Integration of Multimedia Elements
- Interactive and Gamified eBooks

Engineering Drawing Practices Asme Introduction

Engineering Drawing Practices Asme Offers over 60,000 free eBooks, including many classics that are in the public domain. Open Library: Provides access to over 1 million free eBooks, including classic literature and contemporary works. Engineering Drawing Practices Asme Offers a vast collection of books, some of which are available for free as PDF downloads, particularly older books in the public domain. Engineering Drawing Practices Asme : This website hosts a vast collection of scientific articles, books, and textbooks. While it operates in a legal gray area due to copyright issues, its a popular resource for finding various publications. Internet Archive for Engineering Drawing Practices Asme : Has an extensive collection of digital content, including books, articles, videos, and more. It has a massive library of free downloadable books. Free-eBooks Engineering Drawing Practices Asme Offers a diverse range of free eBooks across various genres. Engineering Drawing Practices Asme Focuses mainly on educational books, textbooks, and business books. It offers free PDF downloads for educational purposes. Engineering Drawing Practices Asme Provides a large selection of free eBooks in different genres, which are available for download in various formats, including PDF. Finding specific Engineering Drawing Practices Asme , especially related to Engineering Drawing Practices Asme , might be challenging as theyre often artistic creations rather than practical blueprints. However, you can explore the following steps to search for or create your own Online Searches: Look for websites, forums, or blogs dedicated to Engineering Drawing Practices Asme , Sometimes enthusiasts share their designs or concepts in PDF format. Books and Magazines Some Engineering Drawing Practices Asme books or magazines might include. Look for these in online stores or libraries. Remember that while Engineering Drawing Practices Asme , sharing copyrighted material without permission is not legal. Always ensure youre either creating your own or obtaining them from legitimate sources that allow sharing and downloading. Library Check if your local library offers eBook lending services. Many libraries have digital catalogs where you can borrow Engineering Drawing Practices Asme eBooks for free, including popular titles. Online Retailers: Websites like Amazon, Google Books, or Apple Books often sell eBooks. Sometimes, authors or publishers offer promotions or free periods for certain books. Authors Website Occasionally, authors provide excerpts or short stories for free on their websites. While this might not be the Engineering Drawing Practices Asme full book , it can give you a taste of the authors writing style. Subscription Services Platforms like Kindle Unlimited or Scribd offer subscription-based access to a wide range of Engineering Drawing Practices Asme eBooks, including some popular titles.

FAQs About Engineering Drawing Practices Asme Books

1. Where can I buy Engineering Drawing Practices Asme books? Bookstores: Physical bookstores like Barnes & Noble, Waterstones, and independent local stores. Online Retailers: Amazon, Book Depository, and various online bookstores offer a wide range of books in physical and digital formats.
2. What are the different book formats available? Hardcover: Sturdy and durable, usually more expensive. Paperback: Cheaper, lighter, and more portable than hardcovers. E-books: Digital books available for e-readers like Kindle or software like Apple Books, Kindle, and Google Play Books.
3. How do I choose a Engineering Drawing Practices Asme book to read? Genres: Consider the genre you enjoy (fiction, non-fiction, mystery, sci-fi, etc.). Recommendations: Ask friends, join book clubs, or explore online reviews and recommendations. Author: If you like a particular author, you might enjoy more of their work.
4. How do I take care of Engineering Drawing Practices Asme books? Storage: Keep them away from direct sunlight and in a dry environment. Handling: Avoid folding pages, use bookmarks, and handle them with clean hands. Cleaning: Gently dust the covers and pages occasionally.
5. Can I borrow books without buying them? Public Libraries: Local libraries offer a wide range of books for borrowing. Book Swaps: Community book exchanges or online platforms where people exchange books.
6. How can I track my reading progress or manage my book collection? Book Tracking Apps: Goodreads, LibraryThing, and Book Catalogue are popular apps for tracking your reading progress and managing book collections. Spreadsheets: You can create your own spreadsheet to track books read, ratings, and other details.
7. What are Engineering Drawing Practices Asme audiobooks, and where can I find them? Audiobooks: Audio recordings of books, perfect for listening while commuting or multitasking. Platforms: Audible, LibriVox, and Google Play Books offer a wide selection of audiobooks.
8. How do I support authors or the book industry? Buy Books: Purchase books from authors or independent bookstores. Reviews: Leave reviews on platforms like Goodreads or Amazon. Promotion: Share your favorite books on social media or recommend them to friends.
9. Are there book clubs or reading communities I can join? Local Clubs: Check for local book clubs in libraries or community centers. Online Communities: Platforms like Goodreads have virtual book clubs and discussion groups.
10. Can I read Engineering Drawing Practices Asme books for free? Public Domain Books: Many classic books are available for free as they're in the public domain. Free E-books: Some websites offer free e-books legally, like Project Gutenberg or Open Library.

Find Engineering Drawing Practices Asme :

[a brief history of time stephen hawking](#)

[a smile in the mind](#)

[a midsummer night s dream answers learnenglish kids](#)

[a tiger in the kitchen memoir of food and family cheryl lu lien tan](#)

[a primer of ecology fourth edition](#)

[8th grade math substitution 2 worksheet](#)

8848130917 it25

[a handbook for horticultural students peter dawson](#)

[7 habits of highly effective people habit 6 mannatrain](#)

[a map of evidence maps relating to sustainable development](#)

a volumetric analysis lab report answers

[a symphony of echoes the chronicles of st mary book 2](#)

[a murder is announced](#)

873 bosquejos positivos de la biblia bienvenido a la

[a history of latin america 9th edition pdf](#)

Engineering Drawing Practices Asme :

official psat practice test let 2013 jean burk - May 11 2023

web psat nmsqt preliminary sat national merit scholarship qualifying test practice test 1 make time to take the practice test it is one of the best ways to get ready for

[downloadable full length sat practice tests sat suite - Sep 22 2021](#)

2013 psat nmsqt practice test college confidential forums - Sep 03 2022

web download an official psat 8 9 practice test for free the pdf version of the linear nonadaptive practice test form is recommended only for students who will test with

2015 practice test 1 - Dec 26 2021

web personalized for you we ll create a tailored practice plan for you based on a diagnostic or your sat or psat nmsqt scores official 8 full length real practice tests and

psat nmsqt student guide practice test college board - Feb 08 2023

web download now official free psat practice tests doing realistic questions is critical for psat prep download the guide to get official practice tests the best source of

psat practice tests updated prepscholar - Jul 01 2022

web psat nmsqt the test you take in the fall will contain the same 4 sections as this practice test 1 a reading test 2 a writing and language test 3 a portion of the

official sat practice khan academy - Nov 24 2021

web mar 22 2013 strong official strong strong sat strong strong practice strong strong test strong strong 2012 strong *practice test 2 college board* - May 31 2022

web psat 10 full length practice tests before test day use official psat 10 practice tests these practice tests are available for free both online and on paper

real official psat practice tests prepscholar - Jan 07 2023

web aug 18 2023 to know it is in this book 11 practice tests for the sat psat 2013 edition includes 11 total full length practice tests 10 for the sat and 1 for the psat

psat 8 9 paper practice tests sat suite college board - Aug 02 2022

web official psat practice tests pre 2015 old version we ve compiled eight old official psat practice test pdfs for you to practice with download them here note that the

full length practice tests for the psat 10 sat suite college - Apr 29 2022

web sep 5 2023 to get a better idea of how the psat works we breakdown everything you need to know about this important test we ll also provide you with free psat practice

preliminary sat national merit scholarship qualifying test - Apr 10 2023

web the test you take in school will contain the same four sections as this practice test 1 a reading test 2 a writing and language test 3 a portion of the math test on which

top 9 psat practice tests to use in your prep bestcolleges - Jan 27 2022

web a no 2 pencil is required for the test do not use a mechanical pencil or pen sharing any questions with anyone is a violation of test security and fairness policies and may

psat practice test nmsqt pdfs official article - Jul 13 2023

web the college board currently offers two sample psat nmsqt practice tests with answer keys these are the best resources out there so far for practice questions for the psat

paper sat practice tests sat suite college board - Feb 25 2022

web aug 15 2022 top 9 psat practice tests to use in your prep practice tests can help you ace the psat here are the nine best practice tests to help you prepare for the

official psat practice test booklet 2013 pdf uniport edu - Dec 06 2022

web download and print paper practice tests you ll need a printer pencil calculator and timer to take the tests here are some tips mark your answers in the correct row of bubbles

official sat practice test 2012 13 the official sat online - Oct 24 2021

web download eight official sat practice tests for free for practice on the digital sat explore full length linear nonadaptive practice tests and full length practice tests on bluebook

psat practice tests free questions and full length - Jun 12 2023

web start getting this info acquire the official psat practice test let 2013 belong to that we come up with the money for here and check out the link you could buy guide official

psat nmsqt full length practice tests sat suite college - Aug 14 2023

web full length practice tests before test day use official psat nmsqt practice tests these practice tests are available for free both online and on paper practice in the

psat practice test full length 100 free test guide - Mar 29 2022

web prefer to take a pencil and paper practice test your school might have paper practice tests or you can download and print the paper practice tests available below you ll

10 practice test 1 college board - Mar 09 2023

web practice test take an official psat nmsqt practice test to become familiar with bluebook including the types of questions you ll answer and the exam tools you ll use to

psat 10 paper practice tests sat suite college board - Nov 05 2022

web 2 psat nmsqt practice test 2 reading test answer explanations question 1 choice ais the best answer falvo believes that when trying something new it s important to not

psat nmsqt practice test 2 answer explanations college - Oct 04 2022

web sep 6 2013 each year college board provides a hard copy psat nmsqt practice test the 2013 psat nmsqt practice test should be available this fact is clear if you look

the way i am by eminem song meanings and facts - Jan 28 2022

web mar 10 2021 the way i am by eminem by amanda london published march 10 2021 updated march 10 2021 many of us fantasize about what it would be like to be a rich successful adored entertainer like eminem but along with slim shady s fame and success came its fair share of frustrations in fact the way i am was borne out of such an emotion

[the way i am wikipedi](#) - Jan 08 2023

web the way i am the marshall mathers lp albümünden eminem single ı yayımlanma ağustos 8 2000 format cd dijital download tarz hip hop süre 4 44 Şirket aftermath interscope yazar marshall mathers yapımcı eminem eminem

[key tempo of the way i am by eminem musicstax](#) - Feb 26 2022

web the way i am is a song by eminem released on 2001 08 20 it is track number 7 in the album the marshall mathers lp the way i am has a bpm tempo of 87 beats per minute is in the key of e min and has a duration of 4 minutes 50 seconds

[eminem the way i am lyrics azlyrics com](#) - May 12 2023

web eminem lyrics the way i am whatever dre just let it run aiyyo turn the beat up a little bit aiyyo this song is for anyone fuck it just shut up and listen aiyyo i sit back with this pack of zig zags and this bag of this weed it gives me the shit needed to be

eminem the way i am lyrics songmeanings - Mar 30 2022

web what he s saying is that he thinks he s going to be crucified for trying to change the world the song is a brilliant metaphysical conceit and deserves recognition on that grounds alone finally it is not fame that eminem is unhappy with but really the state of the world if anyone tells me to go back to english class i ll shoot them

[the way i am eminem](#) - Feb 09 2023

web powered by genius segue from steve berman skit man whatever intro dre just let it run ayo turn the beat up a little bit ayo this song is for anyone fuck it just shut up and listen ayo verse 1 i sit back with this pack of zig zag s and this bag of this weed it gives me the shit needed to be

eminem the way i am türkçe Çeviri youtube - Nov 06 2022

web eminem in şarkı hakkında söyledikleri the way i am tamamını benim yaptığım az sayıda parçalardan biri stüdyoya gitmeden önce ritmi aklımdaydı Şiiri ve pi

eminem the way i am lyrics lyrics com - Aug 03 2022

web about the way i am the way i am is a song by american rapper eminem from his third album the marshall mathers lp 2000 the way i am was released as the second single from the album on september 7 2000 it is also featured on his 2005 compilation album curtain call the hits

[eminem the way i am lyrics songlyrics com](#) - Jul 02 2022

web aiyyo turn the beat up a little bit aiyyo this song is for anyone fuck it just shut up and listen aiyyo i sit back with this pack of zig zags and this bag of this weed it gives me the shit needed to be the most meanest mc on this on this earth

[eminem the way i am lyrics youtube](#) - Sep 04 2022

web may 2 2022 eminem the way i am lyrics spotify playlist popular music lnk to spotify stream open spotify com track

23wfxw eminem facebook com eminem

eminem the way i am youtube - Jul 14 2023

web jun 16 2009 remastered in hd watch the official music video for the way i am performed by eminemplaylist best of eminem goo gl aqunposubscribe for more

the way i am eminem song wikipedia - Apr 11 2023

web the way i am is a song written produced and performed by american rapper eminem from his third album the marshall mathers lp 2000 it was released as the second single from the album on october 3 2000 later being featured on his 2005 compilation album curtain call the hits

the way i am youtube - Jun 13 2023

web jul 31 2018 provided to youtube by universal music group the way i am eminem the marshall mathers lp 2000 aftermath entertainment interscope records released on 2000 05 23 studio personnel mixer dr

eminem the way i am lyrics genius lyrics - Aug 15 2023

web may 23 2000 the way i am lyrics segue from steve berman skit man whatever intro dre just let it run ayo turn the beat up a little bit ayo this song is for anyone fuck it just shut up and

the way i am türkçe Çeviri eminem genius lyrics - Mar 10 2023

web eminem the way i am türkçe Çeviri lyrics giriş dre bırak akışına bırak ayo ritmi biraz aç evet bu şarkı herkes için siktir et sus ve dinle evet verse 1

eminem the way i am youtube - Apr 30 2022

web video clip of the song

eminem the way i am dirty version youtube - Jun 01 2022

web may 16 2019 eminem the way i am dirty version eminemexplicit 480k subscribers subscribe 6m views 4 years ago the way i am by eminem 2000 aftermath

the way i am eminem shazam - Dec 07 2022

web the way i am eminem watch on featured in album the marshall mathers lp eminem playlist 2000s hip hop r b essentials apple music 2000s playlist dr dre essentials apple music hip hop playlist 2000s hip hop essentials apple music 2000s playlist eminem essentials apple music hip hop playlist hip hop r b hits 2000 apple music hip hop

eminem the way i am uncensored lyrics youtube - Oct 05 2022

web nov 26 2011 the way i am writers eminem licenses umg on behalf of aftermath amra bmi broadcast music inc latinautorperf amra br latinautor

the way i am eminem letras mus br - Dec 27 2021

web middle america now it s a tragedy now it s so sad to see an upper class ci ty havin this happenin this happenin then attack eminem cause i rap this way rap this way but i m glad cause they feed me the fuel that i need for the fire to burn and it s burnin and i

the art of rick and morty idioma ingles patrick radden keefe - Oct 05 2022

web kindly say the the art of rick and morty idioma ingles is universally compatible with any devices to read rick and morty pocket like you stole it tini howard 2018 03 20 rick

the art of rick and morty volume 2 hardcover june - Dec 07 2022

web detail book title the art of rick and morty idioma inglés format pdf kindle epub language english asin 1 506702694e9 paperback 181 pages product dim

the art of rick and morty idioma ingles copy uniport edu - Aug 03 2022

web mar 24 2023 the art of rick and morty idioma ingles 2 9 downloaded from uniport edu ng on march 24 2023 by guest the series follows the hilarious and surreal

[the art of rick and morty idioma ingl s career slideshare](#) - Nov 06 2022

web feb 20 2023 rick morty vol 2 zac gorman 2016 04 27 the hit comic book series based on dan harmon and justin roiland s hilarious adult swim animated show rick

the art of rick and morty idioma ingles copy uniport edu - Jun 01 2022

web may 24 2023 the art of rick and morty idioma ingles 1 10 downloaded from uniport edu ng on may 24 2023 by guest the art of rick and morty idioma ingles

the art of rick and morty idioma ingles copy uniport edu - Nov 25 2021

web mar 11 2023 those all we meet the expense of the art of rick and morty idioma ingles and numerous book collections from fictions to scientific research in any way along with

the art of rick and morty amazon com - Feb 09 2023

web download and install the art of rick and morty idioma ingles so simple the world according to rick rick sanchez 2018 09 25 a must have gift book the wit wisdom

the art of rick and morty rick and morty wiki fandom - Jul 14 2023

web the art of rick and morty idioma ingles 2 11 downloaded from uniport edu ng on july 31 2023 by guest have for fans this official illustrated guide features a unique look at all the

the art of rick and morty idioma ingles neal holman - Jan 08 2023

web jun 29 2021 this full color hardcover artbook showcases the interstellar art of the third and fourth seasons of your favorite animated sci fi adventure dark horse books and

the art of rick and morty justin roiland pdf pdf scribd - Apr 11 2023

web merely said the the art of rick and morty idioma ingles is universally compatible when any devices to read rick and morty deluxe note card set with keepsake book box

the art of rick and morty idioma ingles uniport edu - Jan 28 2022

web may 23 2023 the art of rick and morty idioma ingles 1 10 downloaded from uniport edu ng on may 23 2023 by guest the art of rick and morty idioma ingles

the art of rick and morty idioma inglés by james siciliano - Mar 30 2022

web aug 5 2023 the art of rick and morty idioma ingles 1 10 downloaded from uniport edu ng on august 5 2023 by guest the art of rick and morty idioma ingles if

the art of rick and morty idioma ingles pdf uniport edu - Feb 26 2022

web aug 14 2023 by guides you could enjoy now is the art of rick and morty idioma ingles below the science of rick and morty matt brady 2019 10 01 explore the real science

the art of rick and morty idioma ingles freewebmasterhelp - Oct 25 2021

web rick and morty presents vol 3 marc ellerby 2021 05 18 another thrilling installment of rick and morty presents featuring jaguar birdperson hemorrhage and

the art of rick and morty idioma ingles full pdf ci kubesail - May 12 2023

web the subtle art of not giving a f ck a counterintuitive approach to living a good life mark manson the yellow house a memoir 2019 national book award winner sarah m

the art of rick and morty idioma ingles uniport edu - Apr 30 2022

web jun 14 2023 find the newspaper the art of rick and morty idioma inglés by james siciliano that you are looking for it is your absolutely own get older to re enact

the art of rick and morty idioma ingles copy uniport edu - Mar 10 2023

web the art of rick and morty amazon com

the art of rick and morty idioma ingles copy uniport edu - Sep 04 2022

web art of rick and morty idioma ingles as one of the most full of life sellers here will enormously be in the course of the best options to review the art of trover saves the

the art of rick and morty idioma inglés amazon es - Aug 15 2023

web the art of rick and morty idioma inglés roiland justin harmon dan amazon es libros

the art of rick and morty idioma ingles copy uniport edu - Dec 27 2021

web jun 26 2023 the art of rick and morty idioma ingles 1 15 downloaded from uniport edu ng on june 26 2023 by guest the

art of rick and morty idioma ingles

the art of rick and morty idioma ingles insight editions 2023 - Sep 23 2021

the art of rick and morty idioma ingles pdf uniport edu - Jun 13 2023

web the art of rick and morty idioma ingles 1 the art of rick and morty idioma ingles the art of cuphead the art of the mitchells vs the machines the art of rick and morty

the art of rick and morty idioma ingles copy uniport edu - Jul 02 2022

web the art of rick and morty idioma ingles 2 8 downloaded from uniport edu ng on september 1 2023 by guest rick and morty presents vol 3 marc ellerby 2021 05 18