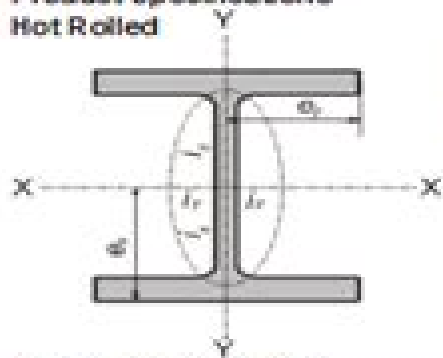


Wide Flange Shape

Product Specifications

Hot Rolled



Geometrical moment of inertia

$$I = Ai^2$$

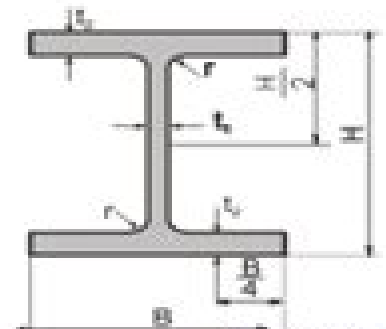
Radius of gyration of area

$$I = \sqrt{I/A}$$

Modulus of section

$$z = I/e$$

(A = sectional area)



Metric Size

According JIS G 3192

| Standard Sectional Dimension | | | | | Section Area A cm ² | Unit Weight kg/m | Informative Reference | | | | | |
|------------------------------|-------------|----------|----------|---------|--------------------------------------|---------------------|-------------------------------|-----------------------|----------------------------|----------|-----------------------|-----------------------|
| Nominal Dimensional mm | H x B mm | t1 mm | t2 mm | r mm | | | Geometrical Moment Of Inertia | | Radius Of Gyration Of Area | | Modulus Of Section | |
| | | | | | | | Ix cm ⁴ | Iy cm ⁴ | Ix cm | Iy cm | Zx cm ³ | Zy cm ³ |
| 150 x 75 | 150 x 75 | 6 | 7 | 8 | 17.85 | 14.00 | 665 | 50 | 6.11 | 1.60 | 8.88 | 13.20 |
| 150 x 100 | 150 x 100 | 6 | 8 | 11 | 26.84 | 21.10 | 1,020 | 151 | 6.17 | 2.37 | 138.00 | 30.10 |
| 200 x 100 | 196 x 99 | 4.5 | 7 | 11 | 23.18 | 18.20 | 1,580 | 114 | 8.26 | 2.21 | 160.00 | 23.00 |
| | 200 x 100 | 5.5 | 8 | 11 | 27.16 | 21.30 | 1,840 | 134 | 8.24 | 2.22 | 184.00 | 26.80 |
| 200 x 150 | 194 x 150 | 6 | 8 | 12 | 38.80 | 30.60 | 2,675 | 507 | 8.30 | 3.60 | 275.80 | 67.60 |
| 250 x 125 | 248 x 124 | 5 | 8 | 12 | 32.68 | 25.70 | 3,540 | 265 | 10.40 | 2.79 | 285.00 | 41.10 |
| | 250 x 125 | 6 | 9 | 12 | 37.66 | 29.60 | 4,050 | 294 | 10.40 | 2.79 | 324.00 | 47.00 |
| 300 x 150 | 298 x 149 | 5.5 | 8 | 13 | 40.80 | 32.00 | 6,320 | 442 | 12.40 | 3.29 | 424.00 | 59.30 |
| | 300 x 150 | 6.5 | 9 | 13 | 48.78 | 38.70 | 7,210 | 508 | 12.40 | 3.29 | 481.00 | 67.70 |
| 350 x 175 | 346 x 174 | 6 | 9 | 14 | 52.68 | 41.40 | 11,100 | 792 | 14.50 | 3.88 | 641.00 | 91.00 |
| | 350 x 175 | 7 | 11 | 14 | 63.14 | 48.60 | 13,600 | 964 | 14.70 | 3.95 | 775.00 | 112.00 |
| 400 x 200 | 396 x 199 | 7 | 11 | 16 | 72.16 | 56.60 | 20,000 | 1,450 | 16.70 | 4.48 | 1,010.00 | 145.00 |
| | 400 x 200 | 8 | 13 | 16 | 84.1 | 66.00 | 23,700 | 1,740 | 16.80 | 4.54 | 1,190.00 | 174.00 |
| 450 x 200 | 450 x 200 | 9 | 14 | 18 | 96.8 | 76.00 | 33,600 | 1,870 | 18.60 | 4.40 | 1,480.00 | 187.00 |
| 500 x 200 | 500 x 200 | 10 | 16 | 20 | 114.2 | 89.60 | 47,600 | 2,140 | 20.60 | 4.33 | 1,910.00 | 214.00 |
| 500 x 200 | 500 x 200 | 11 | 17 | 22 | 134.4 | 106.00 | 77,600 | 2,260 | 24.00 | 4.12 | 2,580.00 | 228.00 |
| 500 x 200 | 588 x 300 | 12 | 20 | 28 | 192.5 | 151.00 | 118,000 | 9,020 | 24.80 | 6.85 | 4,020.00 | 601.00 |
| ■ 700 x 300 | 700 x 300 | 13 | 24 | 28 | 235.6 | 185.00 | 201,000 | 10,800 | 29.30 | 6.78 | 5,760.00 | 722.00 |
| ■ 800 x 300 | 800 x 300 | 14 | 26 | 28 | 267.4 | 210.00 | 292,000 | 11,700 | 33.00 | 6.62 | 7,290.00 | 782.00 |
| ■ 900 x 300 | 900 x 300 | 16 | 28 | 28 | 309.8 | 243.00 | 411,000 | 12,600 | 36.40 | 6.39 | 9,140.00 | 843.00 |

■ Welded Beam Products

Momen Inersia Baja Wf

Lauren Gardner



Momen Inersia Baja Wf:

Embark on a breathtaking journey through nature and adventure with is mesmerizing ebook, Natureis Adventure: **Momen Inersia Baja Wf** . This immersive experience, available for download in a PDF format (Download in PDF: *), transports you to the heart of natural marvels and thrilling escapades. Download now and let the adventure begin!

<https://py.bijouxmedusa.com/data/detail/index.jsp/for%20entrepreneurs%2029%202860%20smart%20home%20tech%20software%20for%20entrepreneurs.pdf>

Table of Contents Momen Inersia Baja Wf

1. Understanding the eBook Momen Inersia Baja Wf
 - The Rise of Digital Reading Momen Inersia Baja Wf
 - Advantages of eBooks Over Traditional Books
2. Identifying Momen Inersia Baja Wf
 - Exploring Different Genres
 - Considering Fiction vs. Non-Fiction
 - Determining Your Reading Goals
3. Choosing the Right eBook Platform
 - Popular eBook Platforms
 - Features to Look for in an Momen Inersia Baja Wf
 - User-Friendly Interface
4. Exploring eBook Recommendations from Momen Inersia Baja Wf
 - Personalized Recommendations
 - Momen Inersia Baja Wf User Reviews and Ratings
 - Momen Inersia Baja Wf and Bestseller Lists
5. Accessing Momen Inersia Baja Wf Free and Paid eBooks
 - Momen Inersia Baja Wf Public Domain eBooks
 - Momen Inersia Baja Wf eBook Subscription Services
 - Momen Inersia Baja Wf Budget-Friendly Options

6. Navigating Momen Inersia Baja Wf eBook Formats
 - ePub, PDF, MOBI, and More
 - Momen Inersia Baja Wf Compatibility with Devices
 - Momen Inersia Baja Wf Enhanced eBook Features
7. Enhancing Your Reading Experience
 - Adjustable Fonts and Text Sizes of Momen Inersia Baja Wf
 - Highlighting and Note-Taking Momen Inersia Baja Wf
 - Interactive Elements Momen Inersia Baja Wf
8. Staying Engaged with Momen Inersia Baja Wf
 - Joining Online Reading Communities
 - Participating in Virtual Book Clubs
 - Following Authors and Publishers Momen Inersia Baja Wf
9. Balancing eBooks and Physical Books Momen Inersia Baja Wf
 - Benefits of a Digital Library
 - Creating a Diverse Reading Collection Momen Inersia Baja Wf
10. Overcoming Reading Challenges
 - Dealing with Digital Eye Strain
 - Minimizing Distractions
 - Managing Screen Time
11. Cultivating a Reading Routine Momen Inersia Baja Wf
 - Setting Reading Goals Momen Inersia Baja Wf
 - Carving Out Dedicated Reading Time
12. Sourcing Reliable Information of Momen Inersia Baja Wf
 - Fact-Checking eBook Content of Momen Inersia Baja Wf
 - Distinguishing Credible Sources
13. Promoting Lifelong Learning
 - Utilizing eBooks for Skill Development
 - Exploring Educational eBooks
14. Embracing eBook Trends
 - Integration of Multimedia Elements

- Interactive and Gamified eBooks

Momen Inersia Baja Wf Introduction

In the digital age, access to information has become easier than ever before. The ability to download Momen Inersia Baja Wf has revolutionized the way we consume written content. Whether you are a student looking for course material, an avid reader searching for your next favorite book, or a professional seeking research papers, the option to download Momen Inersia Baja Wf has opened up a world of possibilities. Downloading Momen Inersia Baja Wf provides numerous advantages over physical copies of books and documents. Firstly, it is incredibly convenient. Gone are the days of carrying around heavy textbooks or bulky folders filled with papers. With the click of a button, you can gain immediate access to valuable resources on any device. This convenience allows for efficient studying, researching, and reading on the go. Moreover, the cost-effective nature of downloading Momen Inersia Baja Wf has democratized knowledge. Traditional books and academic journals can be expensive, making it difficult for individuals with limited financial resources to access information. By offering free PDF downloads, publishers and authors are enabling a wider audience to benefit from their work. This inclusivity promotes equal opportunities for learning and personal growth. There are numerous websites and platforms where individuals can download Momen Inersia Baja Wf. These websites range from academic databases offering research papers and journals to online libraries with an expansive collection of books from various genres. Many authors and publishers also upload their work to specific websites, granting readers access to their content without any charge. These platforms not only provide access to existing literature but also serve as an excellent platform for undiscovered authors to share their work with the world. However, it is essential to be cautious while downloading Momen Inersia Baja Wf. Some websites may offer pirated or illegally obtained copies of copyrighted material. Engaging in such activities not only violates copyright laws but also undermines the efforts of authors, publishers, and researchers. To ensure ethical downloading, it is advisable to utilize reputable websites that prioritize the legal distribution of content. When downloading Momen Inersia Baja Wf, users should also consider the potential security risks associated with online platforms. Malicious actors may exploit vulnerabilities in unprotected websites to distribute malware or steal personal information. To protect themselves, individuals should ensure their devices have reliable antivirus software installed and validate the legitimacy of the websites they are downloading from. In conclusion, the ability to download Momen Inersia Baja Wf has transformed the way we access information. With the convenience, cost-effectiveness, and accessibility it offers, free PDF downloads have become a popular choice for students, researchers, and book lovers worldwide. However, it is crucial to engage in ethical downloading practices and prioritize personal security when utilizing online platforms. By doing so, individuals can make the most of the vast array of free PDF resources available and embark on a journey of continuous learning and intellectual growth.

FAQs About Momen Inersia Baja Wf Books

What is a Momen Inersia Baja Wf PDF? A PDF (Portable Document Format) is a file format developed by Adobe that preserves the layout and formatting of a document, regardless of the software, hardware, or operating system used to view or print it. **How do I create a Momen Inersia Baja Wf PDF?** There are several ways to create a PDF: Use software like Adobe Acrobat, Microsoft Word, or Google Docs, which often have built-in PDF creation tools. Print to PDF: Many applications and operating systems have a "Print to PDF" option that allows you to save a document as a PDF file instead of printing it on paper. Online converters: There are various online tools that can convert different file types to PDF. **How do I edit a Momen Inersia Baja Wf PDF?** Editing a PDF can be done with software like Adobe Acrobat, which allows direct editing of text, images, and other elements within the PDF. Some free tools, like PDFescape or Smallpdf, also offer basic editing capabilities. **How do I convert a Momen Inersia Baja Wf PDF to another file format?** There are multiple ways to convert a PDF to another format: Use online converters like Smallpdf, Zamzar, or Adobe Acrobats export feature to convert PDFs to formats like Word, Excel, JPEG, etc. Software like Adobe Acrobat, Microsoft Word, or other PDF editors may have options to export or save PDFs in different formats. **How do I password-protect a Momen Inersia Baja Wf PDF?** Most PDF editing software allows you to add password protection. In Adobe Acrobat, for instance, you can go to "File" -> "Properties" -> "Security" to set a password to restrict access or editing capabilities. Are there any free alternatives to Adobe Acrobat for working with PDFs? Yes, there are many free alternatives for working with PDFs, such as: LibreOffice: Offers PDF editing features. PDFsam: Allows splitting, merging, and editing PDFs. Foxit Reader: Provides basic PDF viewing and editing capabilities. How do I compress a PDF file? You can use online tools like Smallpdf, ILovePDF, or desktop software like Adobe Acrobat to compress PDF files without significant quality loss. Compression reduces the file size, making it easier to share and download. Can I fill out forms in a PDF file? Yes, most PDF viewers/editors like Adobe Acrobat, Preview (on Mac), or various online tools allow you to fill out forms in PDF files by selecting text fields and entering information. Are there any restrictions when working with PDFs? Some PDFs might have restrictions set by their creator, such as password protection, editing restrictions, or print restrictions. Breaking these restrictions might require specific software or tools, which may or may not be legal depending on the circumstances and local laws.

Find Momen Inersia Baja Wf :

for entrepreneurs 29-2860 smart home tech software for entrepreneurs

[small business 29-1429 online business guide USA 29-787 online business](#)

[beginners for entrepreneurs 29-601 data science careers guide USA 29-7](#)

living tips USA 29-2821 sustainable living tools America 29-2109
29-299 fitness routines roadmap for creators 29-1136 fitness routines
tools tips United States 29-291 AI tools tools USA 29-423 AI tools
investing strategies for entrepreneurs 29-1710 crypto investing
29-2956 YouTube growth best practices for creators 29-2756 YouTube
for beginners America 29-767 ecommerce trends guide United States 29-517
improvement guide for small business 29-2499 credit score improvement
for small business 29-1100 electric vehicles comparison America 29-173
entrepreneurs 29-196 weight loss tutorial for startups 29-2321 weight
travel blueprint for small business 29-864 luxury travel case study USA
business 29-851 interview tips tutorial for startups 29-1529 luxury
investing comparison America 29-2439 crypto investing comparison for

Momen Inersia Baja Wf :

certified research administrator wikipedia - Aug 28 2022

web the certified research administrator cra is a designation granted in the united states by the research administrators certification council to individuals who demonstrate the knowledge necessary to serve as an administrator of professional and sponsored research programs

cra exam prep and recertification research education - Jan 01 2023

web cra exam prep and recertification the certified research administrator cra exam administered by the research administrators certification council is offered twice each year once in the spring and once in the fall becoming a cra has many benefits including but not limited to furthering your potential career advancement opportunities

certified research administrator study sessions rf for suny - Mar 03 2023

web certified research administrators cra exam information the research administrators certification council racc offers three exams certified research administrator cra certified pre award research administrator cpra certified financial research administrator cfra this reference guide focuses on the cra

cra study program emory university atlanta ga - Nov 30 2022

web emory s office of research administration ora cra study program is a guided self study program designed to assist research administrators in preparing for the certified research administrator cra exam

certified research administrator research compliance - Jun 06 2023

web the racc now offers 3 different types of certifications certified research administrator cra certified pre award research administrator cptra and certified financial research administrator cfra all exams are administered by the research administration certification council racc

about welcome racc - Feb 02 2023

web racc offers three certification programs certified research administrator cra certified pre award administrator cptra certified financial research administrator cfra register for an exam today body of knowledge review sessions *certified research administrators orsp* - Jul 27 2022

web the certified research administrator cra credential means that you demonstrate a level of knowledge of all aspects of research administration it is obtained by qualifying for and taking the cra exam which is administered by an independent certifying body the research administrators certification council racc cra cert org

certified research administrator a complete guide 2020 edition - Aug 08 2023

web feb 8 2021 in using the questions you will be better able to diagnose certified research administrator projects initiatives organizations businesses and processes using accepted diagnostic standards and practices implement evidence based best practice strategies aligned with overall goals

cra resources certificates and degrees in research administration - Jul 07 2023

web we have had several requests over the last few months to provide campus administrators with resources or study materials they can use to pursue their certified research administrator credentials this list includes tips and resources for studying for the cra exam and information on degree programs specific to research administration

how do i prepare for an examination cra research administrator exam - Feb 19 2022

web below are some helpful tips and ideas on how to get started the cra study group is a self study program facilitated to narrow group meetings and designed for all ut austin how administrators whom are interested in press qualify to taking the certified research administrator cra testing

certification examination for research administrators - Oct 10 2023

web certification the research administrators certification council racc promotes the concept of voluntary certification by examination for all research and sponsored programs administrators after passing this exam an individual earns the certified research administrator cra designation

certified research administrator exam prep study group cra study - May 25 2022

web qualification criteria candidates applying to sit for the certified research administrator s examination must possess a bachelor s degree and three 3 years of substantial involvement in research or sponsored programs administration either in a sponsoring or recipient organization or the equivalent in a self funded organization or

certified financial research admin study sessions rf for suny - Apr 23 2022

web what are the cfra exam requirements bachelor s degree and three 3 years of professional experience in financial research or sponsored programs administration either in a sponsoring or recipient organization or the equivalent in a self funded organization or

candidate handbook 2023 professional testing corporation - Apr 04 2023

web this handbook contains necessary information about the certified research administrator examination please retain it for future reference candidates are responsible for reading these instructions carefully this handbook is subject to change contact information attention candidates

certified research administrator - Oct 30 2022

web certification council racc research administrators can attain the certification by meeting educational and experience requirements and successfully completing the half day comprehensive exam the exam covers the entire scope of research administration as outlined in racc s body of knowledge for more information on the cra please visit

certified research administrator cra study team - Sep 09 2023

web the certified research administrator study team is an online guided self study program designed for all research administrators regardless of institution who are interested in and qualify to take the certified research administrator exam the exam is managed by the research administrators certification council racc an independent certifying

how do i prepare for an examination cra cert org - May 05 2023

web practice the profession study stay current learn new things and talk to colleagues within the profession whose research administration duties are different from yours review the body of knowledge document for your desired certification purchase a practice examination through the professional testing corporation s ptc s website for 60

cra training northwestern nurap - Jun 25 2022

web cra training the nurap continuing education subcommittee is proud to offer certified research administrator cra study sessions every year to members of the northwestern community who are interested in gaining a broad knowledge of research administration and or preparing to take the cra exam

cra study group office of sponsored projects - Sep 28 2022

web the cra study group is a self study program facilitated by group meetings and designed for all ut austin research administrators who are interested in and qualify to take the certified research administrator cra exam the cra exam is managed by the research administrators certification council racc an independent certifying body

research administration office of the vice president for research - Mar 23 2022

web outstanding research administrator award pdf the 2021 nomination cycle is now open until june 30 2021 winners will be

announced at the association of research administrators ara meeting on september 28 cra exam preparation osp hosts cra study groups in the spring and fall for those preparing to take the certified research

rieju rs 2 matrix parts genuine motorcycle parts - Feb 25 2022

web rieju rs 2 matrix engine and transmission the rieju rs 2 matrix is a 2 stroke sport bike with a liquid cooled 50 00 ccm 3 03 cubic inches rieju matrix rs2 rs3 rs 125 cc 6 sigma custom carburetor carb stage 1 3 jet kit now only 37 52 buy now rieju disc brake pads rs2 matrix 2002 2004 rear 1 set

li chassis g rieju - Mar 09 2023

web engine type number of gears make model cylinders arrangement cubic capacity diameter x stroke starter system lubrication system type of oil 2 stroke 6 gears minarelli am 6 eu 2 1 forward tilting 49 7 c c 40 3 x 39 mm electrical pumped 2 stroke injection change matrix naked 1900 mm 725 mm 1060 mm

[rieju rs2 matrix manual motor video paydayhcm](#) - Aug 02 2022

web rieju rs2 matrix manual motor 1 omb no rieju rs2 matrix manual motor rieju rs2 matrix 50 turbokit sound 2007 rieju rs2 50cc in depth tour start up exhaust review rieju rs2 matrix sound rieju rs2 minarelli am6 clutch problems help ennyi volt rieju rs2 matrix rieju

rieju rs2 matrix technical sheet 50cc 50factory com - Jun 12 2023

web 50 technical sheets in box here 100 of the parts indicated find here the information about the rieju rs2 matrix 50 also discover the spare parts available for this model motor electricity fairing and various equipment

rieju rs2 matrix manual motor 2023 cyberlab sutd edu sg - Jul 01 2022

web rieju rs2 matrix manual motor modern general relativity jun 27 2021 introduces the physics of general relativity in relation to modern topics such as gamma ray bursts black

rieju rs2 50 manuals manualslib - Sep 15 2023

web manuals and user guides for rieju rs2 50 we have 2 rieju rs2 50 manuals available for free pdf download owner s manual workshop manual

rieju rs2 matrix manual motor copy dev rideicon - Mar 29 2022

web rieju rs2 matrix manual motor 3 3 joint industrial council for electrical installation contracting in introducing a rational and equitable incomes policy into the industry this text includes many worked examples and illustrations to demonstrate how the technical and commercial aspects are put into practice

rieju rs2 matrix manual motor banking finance gov - Apr 29 2022

web rieju rs2 matrix manual motor downloaded from banking finance gov ie by guest brooklynn miguel bulk material handling institute of electrical electronics engineers ieee introduces very young readers to the style sheet language used for

describing the presentation of a document written in a markup language 2020

[all rieju motors rs2 models and generations by year autoevolution](#) - Jan 07 2023

web nov 17 2021 the 2006 my rieju motors rs2 50 matrix sports an air cooled four stroke 49cc single cylinder engine mated to a six speed manual transmission it has a dell orto carburetor a paioli upside down

[download your user manual rieju](#) - Oct 16 2023

web rieju warranty user manuals rieju experiences configure your motorcycle news racing international download your user manual modelo aventura 500 aventura 125 mr six days argentina mr pro 2024 mr racing 2024 mr ranger 2024 mr pro 125 marathon 125 pro mrt 50 pro mrt 125 lc mrt 50 marathon 125 sm

reiju rs2 50 manual am6 motor pdf scribd - Aug 14 2023

web these publications provide all necessary information for routine procedures on all the rieju motor vehicles equipped with two stroke engines currently in production at the date of issue the information provided deals with the motor vehicle engines

[rieju rr spike 50 workshop manual pdf download manualslib](#) - Apr 10 2023

web view and download rieju rr spike 50 workshop manual online rieju rr spike 50 rr spike 50 engine pdf manual download also for motor am6 rs2 50

rieju workshop repair manuals pdf motorcyclemanuals info - Jul 13 2023

web rieju rr spike 50 engine workshop manual pdf 2 2mb download rieju rs sport 50 owner s manual pdf 605 1kb download rieju rs2 125 matrix electric system pdf 4 9mb download rieju rs2 naked 50 owner s manual pdf 3 6mb download

ebook rieju rs2 matrix manual motor - Oct 04 2022

web circuit analysis shows how magnetic circuit analysis applies to motor design describes all major aspects of motor operation design in simple mathematical terms develops rigorous design equations for radial flux axial flux motors illustrates basic motor drive schemes all common motor design

rieju motors rs2 50 matrix 2005 2006 specs - Feb 08 2023

web oct 7 2021 production years 2005 2006 the 2006 my rieju motors rs2 50 matrix sports an air cooled four stroke 49cc single cylinder engine mated to a six speed manual transmission it has a

download rieju rs2 50 matrix owner s manual manualslib - May 11 2023

web rieju rs2 50 matrix owner s manual brand rieju category motorcycle accessories size 3 8 mb pages 120 this manual is also suitable for rs2 50 naked please tick the box below to get your link

rieju rs2 matrix manual motor dragan bosnić - May 31 2022

web rieju rs2 matrix manual motor right here we have countless ebook rieju rs2 matrix manual motor and collections to check out we additionally allow variant types and then type of the books to browse the customary book fiction history novel

scientific research as without difficulty as various extra sorts of books are readily easily reached

rieju rs2 matrix manual motor admin store motogp - Sep 03 2022

web and motor you recommend rieju rs2 matrix manual motor whomever you buy from you should be offered more than a simple instruction manual electronic locks environment in which you are fitting may well influence which gate and motor you recommend vanderbilt access control cards tags fobs rieju rs2 matrix manual motor skoda

2007 rieju rs2 matrix specifications and pictures bikez - Dec 06 2022

web get a list of related motorbikes before you buy this rieju inspect technical data look at photos read the riders comments at the bike s discussion group and check out the moped s reliability repair costs etc show any 2007 rieju rs2 matrix for sale on our bikez biz motorcycle classifieds

rieju rs 2 matrix 2003 fichasmotor - Nov 05 2022

web to make the specifications more concrete it has an engine displacement of 3 05 ci and a total power of 8 00 hp 5 8 kw with an single cylinder 2 stroke engine here you have access to the specifications and datasheet of this amazing motorcycle

[prisma biologie 7 8 differenzierende ausgabe bade pdf](#) - May 03 2022

right here we have countless ebook prisma biologie 7 8 differenzierende ausgabe bade and collections to check out we additionally pay for variant types and as well as type of the books

prisma biologie 7 8 differenzierende ausgabe baden - Apr 14 2023

bücher bei weltbild jetzt prisma biologie 7 8 differenzierende ausgabe baden württemberg versandkostenfrei bestellen bei weltbild ihrem bücher spezialisten

ernst klett verlag prisma biologie 7 8 differenzierende - Oct 28 2021

ernst klett verlag prisma biologie differenzierende ausgabe - Jan 11 2023

prisma biologie 7 8 differenzierende ausgabe bade 1 prisma biologie 7 8 differenzierende ausgabe bade recognizing the pretension ways to get this books prisma biologie 7 8

[prisma biologie 7 8 differenzierende ausgabe bade](#) - Jul 05 2022

this prisma biologie 7 8 differenzierende ausgabe bade as one of the most full of life sellers here will unconditionally be in the course of the best options to review english g highlight 02 6

prisma biologie 7 8 differenzierende ausgabe bade pdf - Jun 04 2022

ernst klett verlag prisma biologie 7 8 differenzierende ausgabe niedersachsen ab 2020 produktetails prisma biologie 7 8 differenzierende ausgabe niedersachsen ab 2020

[prisma biologie 7 8 differenzierende ausgabe bade](#) - Sep 07 2022

could enjoy now is [prisma biologie 7 8 differenzierende ausgabe bade below the bilingual reform wolfgang butzkamm 2009](#)
[german technical dictionary routledge 2004 since](#)

[prisma biologie 7 8 schulbuch klasse 7 8 differenzierende](#) - Oct 08 2022

[apr 21 2023 prisma biologie 7 8 differenzierende ausgabe bade 1 8 downloaded from uniport edu ng on april 21 2023 by guest prisma biologie 7 8 differenzierende ausgabe](#)

[prisma biologie 7 8 differenzierende ausgabe bade](#) - Aug 06 2022

[reviewing prisma biologie 7 8 differenzierende ausgabe bade unlocking the spellbinding force of linguistics in a fast paced world fueled by information and interconnectivity the](#)

[ernst klett verlag prisma biologie 7 8](#) - Dec 10 2022

[prisma biologie 7 8 differenzierende ausgabe bade downloaded from ce nationalnursesunited org by guest lexi zander skulls psychology press at the core of](#)

[prisma biologie 7 8 differenzierende ausgabe bade copy](#) - Jan 31 2022

[ernst klett verlag prisma biologie 7 8 differenzierende](#) - Jul 17 2023

[prisma biologie 7 8 differenzierende ausgabe baden württemberg schulbuch klasse 7 8 baden württemberg differenzierende ausgabe prisma biologie differenzierende](#)

[prisma biologie 7 8 differenzierende ausgabe bade pdf](#) - Apr 02 2022

[prisma biologie 7 8 differenzierende ausgabe niedersachsen ab 2012 ebook einzellizenz zu 978 3 12 068337 7 klasse 7 8 differenzierende ausgabe niedersachsen ab 2012](#)

[ernst klett verlag prisma biologie 7 8 differenzierende](#) - Dec 30 2021

[ernst klett verlag prisma biologie 7 8 differenzierende](#) - Feb 12 2023

[prisma biologie 7 8 differenzierende ausgabe bade 3 3 presents the conceptual underpinning of the pisa 2003 assessments within each assessment area the volume defines the](#)

[prisma biologie schülerbuch biologie 7 8](#) - May 15 2023

[31 95 inkl mwst prisma biologie 7 8 differenzierende ausgabe niedersachsen ab 2012 schulbuch mit cd rom klasse 7 8 isbn 978 3 12 068337 7 weitere informationen blättern](#)

[prisma biologie 7 8 differenzierende ausgabe bade 2023](#) - Nov 28 2021

[ernst klett verlag prisma biologie differenzierende](#) - Aug 18 2023

prisma biologie 7 8 differenzierende ausgabe baden württemberg ab 2017 lehrerband klasse 7 8 isbn kostenloser versand für alle bücher mit versand und verkauf duch

ernst klett verlag prisma biologie differenzierende ausgabe a - Jun 16 2023

ernst klett verlag prisma biologie 7 8 differenzierende ausgabe niedersachsen ab 2020 produktetails prisma biologie 7 8 differenzierende ausgabe niedersachsen ab 2020

prisma biologie 7 8 differenzierende ausgabe baden - Nov 09 2022

prisma biologie 7 8 differenzierende ausgabe bade 1 prisma biologie 7 8 differenzierende ausgabe bade english g lighthouse 04 8 schuljahr klassenarbeitstrainer mit lösungen

prisma biologie 7 8 differenzierende ausgabe baden - Mar 13 2023

prisma erklärt fachwissen in verständlichen schülergeprüften texten mit wörterklärungen prisma veranschaulicht mit aussagekräftigen bildern 9 infografiken alltagsnahem material

ernst klett verlag prisma biologie 7 8 - Sep 19 2023

differenzierende ausgabe a ab 2020 schulbuch klasse 7 10 isbn 978 3 12 069110 5 weitere informationen ebooks 2 ecourse 1 ebook pro 1 themenhefte bände 1 der ernst klett

prisma biologie 7 8 differenzierende ausgabe bade book - Mar 01 2022