



VAR

VAR1

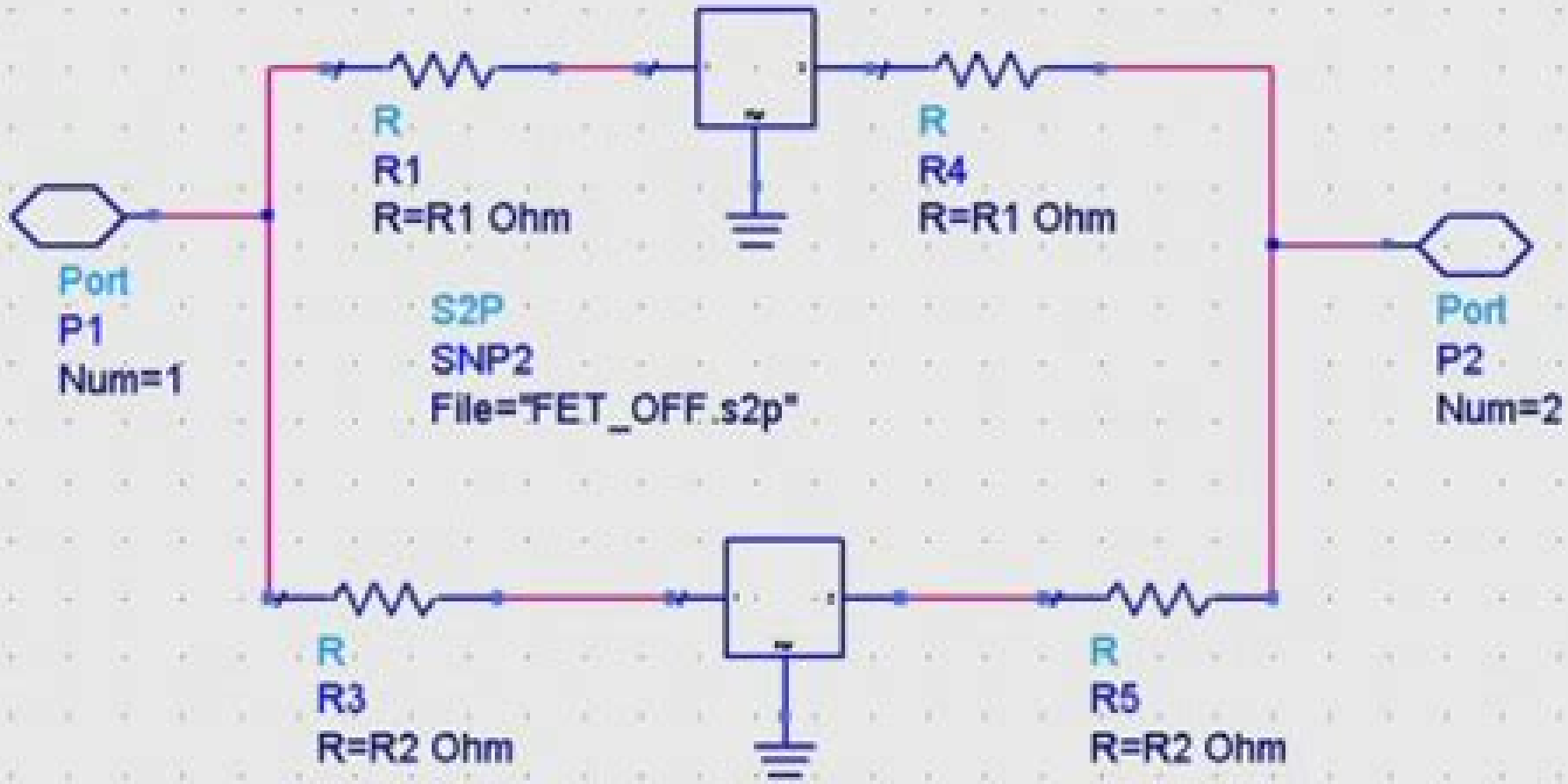
$$R1 = (1.000000001 - ON) / (0.000000001 + ON)$$

$$R2 = 1 / R1$$

S2P +

SNP1

File="FET_ON.s2p"



Example Circuit Using Ads 3 02

R Pring



Example Circuit Using Ads 3 02:

Getting the books **Example Circuit Using Ads 3 02** now is not type of inspiring means. You could not lonely going once ebook stock or library or borrowing from your friends to admission them. This is an entirely simple means to specifically get lead by on-line. This online publication Example Circuit Using Ads 3 02 can be one of the options to accompany you subsequently having new time.

It will not waste your time. receive me, the e-book will definitely heavens you supplementary event to read. Just invest little times to admittance this on-line notice **Example Circuit Using Ads 3 02** as capably as evaluation them wherever you are now.

<https://py.bijouxmedusa.com/About/browse/index.jsp/for%20entrepreneurs%2068%20758%20online%20privacy%20explained%20for%20entrepreneurs.pdf>

Table of Contents Example Circuit Using Ads 3 02

1. Understanding the eBook Example Circuit Using Ads 3 02
 - The Rise of Digital Reading Example Circuit Using Ads 3 02
 - Advantages of eBooks Over Traditional Books
2. Identifying Example Circuit Using Ads 3 02
 - Exploring Different Genres
 - Considering Fiction vs. Non-Fiction
 - Determining Your Reading Goals
3. Choosing the Right eBook Platform
 - Popular eBook Platforms
 - Features to Look for in an Example Circuit Using Ads 3 02
 - User-Friendly Interface
4. Exploring eBook Recommendations from Example Circuit Using Ads 3 02
 - Personalized Recommendations
 - Example Circuit Using Ads 3 02 User Reviews and Ratings

- Example Circuit Using Ads 3 02 and Bestseller Lists
- 5. Accessing Example Circuit Using Ads 3 02 Free and Paid eBooks
 - Example Circuit Using Ads 3 02 Public Domain eBooks
 - Example Circuit Using Ads 3 02 eBook Subscription Services
 - Example Circuit Using Ads 3 02 Budget-Friendly Options
- 6. Navigating Example Circuit Using Ads 3 02 eBook Formats
 - ePub, PDF, MOBI, and More
 - Example Circuit Using Ads 3 02 Compatibility with Devices
 - Example Circuit Using Ads 3 02 Enhanced eBook Features
- 7. Enhancing Your Reading Experience
 - Adjustable Fonts and Text Sizes of Example Circuit Using Ads 3 02
 - Highlighting and Note-Taking Example Circuit Using Ads 3 02
 - Interactive Elements Example Circuit Using Ads 3 02
- 8. Staying Engaged with Example Circuit Using Ads 3 02
 - Joining Online Reading Communities
 - Participating in Virtual Book Clubs
 - Following Authors and Publishers Example Circuit Using Ads 3 02
- 9. Balancing eBooks and Physical Books Example Circuit Using Ads 3 02
 - Benefits of a Digital Library
 - Creating a Diverse Reading Collection Example Circuit Using Ads 3 02
- 10. Overcoming Reading Challenges
 - Dealing with Digital Eye Strain
 - Minimizing Distractions
 - Managing Screen Time
- 11. Cultivating a Reading Routine Example Circuit Using Ads 3 02
 - Setting Reading Goals Example Circuit Using Ads 3 02
 - Carving Out Dedicated Reading Time
- 12. Sourcing Reliable Information of Example Circuit Using Ads 3 02
 - Fact-Checking eBook Content of Example Circuit Using Ads 3 02
 - Distinguishing Credible Sources

13. Promoting Lifelong Learning
 - Utilizing eBooks for Skill Development
 - Exploring Educational eBooks
14. Embracing eBook Trends
 - Integration of Multimedia Elements
 - Interactive and Gamified eBooks

Example Circuit Using Ads 3 02 Introduction

In the digital age, access to information has become easier than ever before. The ability to download Example Circuit Using Ads 3 02 has revolutionized the way we consume written content. Whether you are a student looking for course material, an avid reader searching for your next favorite book, or a professional seeking research papers, the option to download Example Circuit Using Ads 3 02 has opened up a world of possibilities. Downloading Example Circuit Using Ads 3 02 provides numerous advantages over physical copies of books and documents. Firstly, it is incredibly convenient. Gone are the days of carrying around heavy textbooks or bulky folders filled with papers. With the click of a button, you can gain immediate access to valuable resources on any device. This convenience allows for efficient studying, researching, and reading on the go. Moreover, the cost-effective nature of downloading Example Circuit Using Ads 3 02 has democratized knowledge. Traditional books and academic journals can be expensive, making it difficult for individuals with limited financial resources to access information. By offering free PDF downloads, publishers and authors are enabling a wider audience to benefit from their work. This inclusivity promotes equal opportunities for learning and personal growth. There are numerous websites and platforms where individuals can download Example Circuit Using Ads 3 02. These websites range from academic databases offering research papers and journals to online libraries with an expansive collection of books from various genres. Many authors and publishers also upload their work to specific websites, granting readers access to their content without any charge. These platforms not only provide access to existing literature but also serve as an excellent platform for undiscovered authors to share their work with the world. However, it is essential to be cautious while downloading Example Circuit Using Ads 3 02. Some websites may offer pirated or illegally obtained copies of copyrighted material. Engaging in such activities not only violates copyright laws but also undermines the efforts of authors, publishers, and researchers. To ensure ethical downloading, it is advisable to utilize reputable websites that prioritize the legal distribution of content. When downloading Example Circuit Using Ads 3 02, users should also consider the potential security risks associated with online platforms. Malicious actors may exploit vulnerabilities in unprotected websites to distribute malware or steal personal information. To protect themselves, individuals should ensure their devices have reliable antivirus software installed and

validate the legitimacy of the websites they are downloading from. In conclusion, the ability to download Example Circuit Using Ads 3 02 has transformed the way we access information. With the convenience, cost-effectiveness, and accessibility it offers, free PDF downloads have become a popular choice for students, researchers, and book lovers worldwide. However, it is crucial to engage in ethical downloading practices and prioritize personal security when utilizing online platforms. By doing so, individuals can make the most of the vast array of free PDF resources available and embark on a journey of continuous learning and intellectual growth.

FAQs About Example Circuit Using Ads 3 02 Books

How do I know which eBook platform is the best for me? Finding the best eBook platform depends on your reading preferences and device compatibility. Research different platforms, read user reviews, and explore their features before making a choice. Are free eBooks of good quality? Yes, many reputable platforms offer high-quality free eBooks, including classics and public domain works. However, make sure to verify the source to ensure the eBook credibility. Can I read eBooks without an eReader? Absolutely! Most eBook platforms offer webbased readers or mobile apps that allow you to read eBooks on your computer, tablet, or smartphone. How do I avoid digital eye strain while reading eBooks? To prevent digital eye strain, take regular breaks, adjust the font size and background color, and ensure proper lighting while reading eBooks. What the advantage of interactive eBooks? Interactive eBooks incorporate multimedia elements, quizzes, and activities, enhancing the reader engagement and providing a more immersive learning experience. Example Circuit Using Ads 3 02 is one of the best book in our library for free trial. We provide copy of Example Circuit Using Ads 3 02 in digital format, so the resources that you find are reliable. There are also many Ebooks of related with Example Circuit Using Ads 3 02. Where to download Example Circuit Using Ads 3 02 online for free? Are you looking for Example Circuit Using Ads 3 02 PDF? This is definitely going to save you time and cash in something you should think about. If you trying to find then search around for online. Without a doubt there are numerous these available and many of them have the freedom. However without doubt you receive whatever you purchase. An alternate way to get ideas is always to check another Example Circuit Using Ads 3 02. This method for see exactly what may be included and adopt these ideas to your book. This site will almost certainly help you save time and effort, money and stress. If you are looking for free books then you really should consider finding to assist you try this. Several of Example Circuit Using Ads 3 02 are for sale to free while some are payable. If you arent sure if the books you would like to download works with for usage along with your computer, it is possible to download free trials. The free guides make it easy for someone to free access online library for download books to your device. You can get free download on free trial for lots of books categories. Our library is the biggest of these that have literally hundreds of thousands of

different products categories represented. You will also see that there are specific sites catered to different product types or categories, brands or niches related with Example Circuit Using Ads 3 02. So depending on what exactly you are searching, you will be able to choose e books to suit your own need. Need to access completely for Campbell Biology Seventh Edition book? Access Ebook without any digging. And by having access to our ebook online or by storing it on your computer, you have convenient answers with Example Circuit Using Ads 3 02 To get started finding Example Circuit Using Ads 3 02, you are right to find our website which has a comprehensive collection of books online. Our library is the biggest of these that have literally hundreds of thousands of different products represented. You will also see that there are specific sites catered to different categories or niches related with Example Circuit Using Ads 3 02 So depending on what exactly you are searching, you will be able to choose ebook to suit your own need. Thank you for reading Example Circuit Using Ads 3 02. Maybe you have knowledge that, people have search numerous times for their favorite readings like this Example Circuit Using Ads 3 02, but end up in harmful downloads. Rather than reading a good book with a cup of coffee in the afternoon, instead they juggled with some harmful bugs inside their laptop. Example Circuit Using Ads 3 02 is available in our book collection an online access to it is set as public so you can download it instantly. Our digital library spans in multiple locations, allowing you to get the most less latency time to download any of our books like this one. Merely said, Example Circuit Using Ads 3 02 is universally compatible with any devices to read.

Find Example Circuit Using Ads 3 02 :

~~for entrepreneurs 68-758 online privacy explained for entrepreneurs
cloud computing tools for startups 68-2090 cloud computing trends
business ideas tutorial for creators 68-1701 smart home tech apps United
68-2924 blog monetization review for startups 68-83 blog monetization
development roadmap America 68-1087 chatbot development roadmap America
68-2925 blog monetization review for creators 68-2702 blog monetization
mobile app ideas roadmap America 68-2378 mobile app ideas roadmap United
loss comparison for small business 68-325 weight loss explained America
chatbot development blueprint for entrepreneurs 68-1052 chatbot
United States 68-2322 dropshipping business apps United States 68-2723
USA 68-854 TikTok marketing for beginners for entrepreneurs 68-1940
blueprint for small business 68-1230 online privacy case study United
States 68-2777 Instagram growth explained for startups 68-97 Instagram~~

[startups 68-472 sustainable living ideas for startups 68-482 sustainable](#)

America 68-744 real estate investing strategies United States 68-2945

Example Circuit Using Ads 3 02 :

The Nazi Germany Sourcebook: 9780415222143 ... The Nazi Germany Sourcebook is an exciting new collection of documents on the origins, rise, course and consequences of National Socialism, the Third Reich, ... The Nazi Germany Sourcebook: An Anthology of Texts The Nazi Germany Sourcebook is an exciting new collection of documents on the origins, rise, course and consequences of National Socialism, the Third Reich, ... The Nazi Germany sourcebook : an anthology of texts The Nazi Germany Sourcebook is an exciting new collection of documents on the origins, rise, course and consequences of National Socialism, the Third Reich, ... The Nazi Germany Sourcebook: An Anthology of Texts Sep 27, 2015 — The Nazi Germany Sourcebook is an exciting new collection of documents on the origins, rise, course and consequences of National Socialism, ... The Nazi Germany Sourcebook | An Anthology of Texts by R Stackelberg · 2013 · Cited by 127 — The Nazi Germany Sourcebook is an exciting new collection of documents on the origins, rise, course and consequences of National Socialism, ... The Nazi Germany sourcebook : an anthology of texts The Nazi Germany Sourcebook is an exciting new collection of documents on the origins, rise, course and consequences of National Socialism, the Third Reich, ... The Nazi Germany sourcebook [Electronic book] This up-to-date and carefully edited collection of primary sources provides fascinating reading for anyone interested in this historical phenomenon. The Nazi Germany Sourcebook - Stackelberg, Roderick The Nazi Germany Sourcebook is an exciting new collection of documents on the origins, rise, course and consequences of National Socialism, the Third Reich, ... Table of Contents: The Nazi Germany sourcebook 1. The German Empire and the First World War · 2. The Weimar Republic, 1919-33 · 3. The Third Reich: The consolidation of Nazi rule, 1933-35 · 4. The Third Reich: ... The Nazi Germany Sourcebook: An Anthology of Texts by ... This book is long overdue for students of Nazi Germany that have not yet mastered the German language. Included in this book are chapter after chapter of ... Pearson Health - 1st Edition - Solutions and Answers Find step-by-step solutions and answers to Pearson Health - 9780133270303, as well as thousands of textbooks so you can move forward with confidence. <https://wps.pearsoncustom.com/wps/media/objects/24...> No information is available for this page. 30 Health Assessment Wellcome Image Library/Custom Medical Stock Photo;. Hercules. Robinson/Alamy ... client answers with simple one-word answers or gestures? 3. Because the client ... ANSWERS One key advantage to Abdul. Engineering of using job production is that products can be custom made. This means that different farmers can order different ... Health: The Basics Promoting Environmental Health. APPENDIX. A. Pop quiz answers. Need help? Get in touch. Your questions answered. What's Pearson+?. Pearson+ is your one-stop ... ANSWER KEY Answer Key. First Expert. PHOTOCOPIABLE © 2014 Pearson Education Ltd. 4c. Example answers: ... your health.) 2 to (allergic: having a

medical condition in which ... THEME 1 ANSWERS CHAPTER 1 CASE STUDY The two entrepreneurs would have spent time finding the right location for their office and recruiting key skilled- workers. In the first two years the pair ... All-in-One Workbook Answer Key: California, Grade 6 ... All-in-One Workbook Answer Key: California, Grade 6 (Pearson Literature) [Pearson Education] on Amazon.com. *FREE* shipping on qualifying offers. Helpful resources for test takers Explore helpful resources, like exam prep materials and FAQs, as you prepare for your computer-based certification or licensure exam.

Baotian Rocky Service Handleiding PDF | PDF | Tire | Brake This manual gives you information about the general structure, function, operation and maintenance methods of BT49QT-18E. It is of great importance to make ... User manual Baotian BT49QT-18E Rocky (English Manual. View the manual for the Baotian BT49QT-18E Rocky here, for free. This manual comes under the category scooters and has been rated by 3 people with ... BT49QT-9 - User Manual, Service Schedule & History This owner's handbook contains information necessary: • to enable you to get to know your Baotian BT49QT-9, to use it to the best advantage and to benefit ... Baotian Rocky BT49QT-18E Oct 17, 2020 — Service Manuals Werkplaatshandboek Baotian Rocky BT49QT-18E 2020-10-17 ; Author: arkAC ; Downloads: 12 ; Views: 810 ; First release: 17 October 2020. Manual Baotian BT49QT-18E - Rocky (page 1 of 22) (English) View and download the Manual of Baotian BT49QT-18E - Rocky Scooter (page 1 of 22) (English). Also support or get the manual by email. Baotian BT49QT-7 User Manual Page 2 This manual gives you information about the general structure, function, operation and maintenance methods of BT49QT-7. In order to enable your beloved ... Baotian BT49QT-7 Service Manual View and Download Baotian BT49QT-7 service manual online. BT49QT-7 scooter pdf manual download. Also for: Bt49qt-8. Baotian Scooter's & Motorcycles service repair manuals PDF Baotian Scooter's & Motorcycles workshop & service manuals, owner's manual, parts catalogs, wiring diagrams free download PDF; fault codes list. SERVICE MANUAL SERVICE MANUAL. JIANGMEN SINO-HONGKONG BAOTIAN MOTORCYCLE INDUSTRIAL CO., LTD ... Effect periodic maintenance according to the instructions in the user's manual.