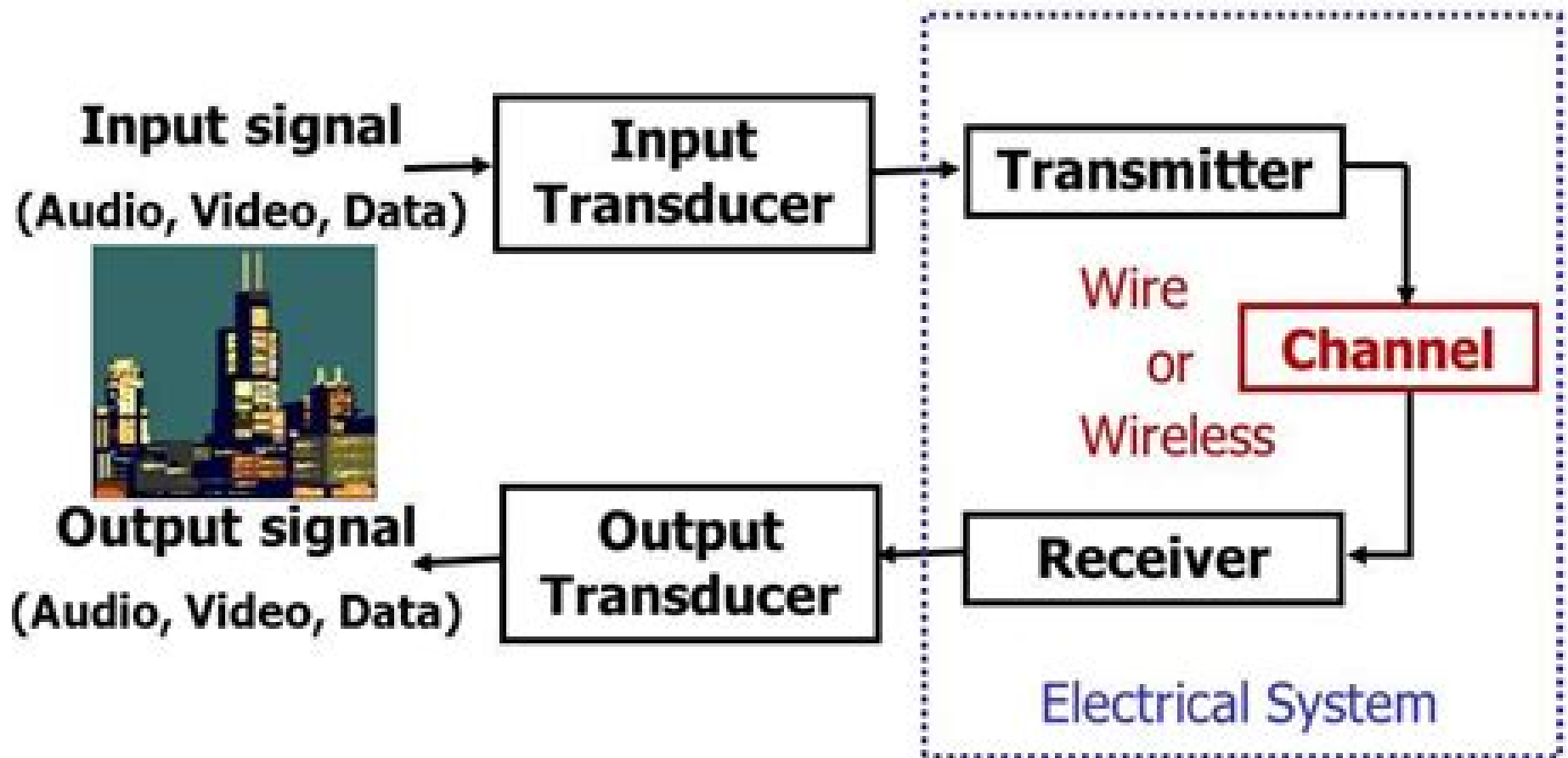


Functional Block Diagram of a Communication System



Functional Block Diagram Engineering

M Carnoy



Functional Block Diagram Engineering:

Immerse yourself in heartwarming tales of love and emotion with its touching creation, Experience Love's Journey in **Functional Block Diagram Engineering** . This emotionally charged ebook, available for download in a PDF format (*), is a celebration of love in all its forms. Download now and let the warmth of these stories envelop your heart.

https://py.bijouxmedusa.com/data/detail/Documents/Official_Thea_Test_Study_Guide.pdf

Table of Contents Functional Block Diagram Engineering

1. Understanding the eBook Functional Block Diagram Engineering
 - The Rise of Digital Reading Functional Block Diagram Engineering
 - Advantages of eBooks Over Traditional Books
2. Identifying Functional Block Diagram Engineering
 - Exploring Different Genres
 - Considering Fiction vs. Non-Fiction
 - Determining Your Reading Goals
3. Choosing the Right eBook Platform
 - Popular eBook Platforms
 - Features to Look for in an Functional Block Diagram Engineering
 - User-Friendly Interface
4. Exploring eBook Recommendations from Functional Block Diagram Engineering
 - Personalized Recommendations
 - Functional Block Diagram Engineering User Reviews and Ratings
 - Functional Block Diagram Engineering and Bestseller Lists
5. Accessing Functional Block Diagram Engineering Free and Paid eBooks
 - Functional Block Diagram Engineering Public Domain eBooks
 - Functional Block Diagram Engineering eBook Subscription Services
 - Functional Block Diagram Engineering Budget-Friendly Options
6. Navigating Functional Block Diagram Engineering eBook Formats

- ePub, PDF, MOBI, and More
 - Functional Block Diagram Engineering Compatibility with Devices
 - Functional Block Diagram Engineering Enhanced eBook Features
7. Enhancing Your Reading Experience
 - Adjustable Fonts and Text Sizes of Functional Block Diagram Engineering
 - Highlighting and Note-Taking Functional Block Diagram Engineering
 - Interactive Elements Functional Block Diagram Engineering
 8. Staying Engaged with Functional Block Diagram Engineering
 - Joining Online Reading Communities
 - Participating in Virtual Book Clubs
 - Following Authors and Publishers Functional Block Diagram Engineering
 9. Balancing eBooks and Physical Books Functional Block Diagram Engineering
 - Benefits of a Digital Library
 - Creating a Diverse Reading Collection Functional Block Diagram Engineering
 10. Overcoming Reading Challenges
 - Dealing with Digital Eye Strain
 - Minimizing Distractions
 - Managing Screen Time
 11. Cultivating a Reading Routine Functional Block Diagram Engineering
 - Setting Reading Goals Functional Block Diagram Engineering
 - Carving Out Dedicated Reading Time
 12. Sourcing Reliable Information of Functional Block Diagram Engineering
 - Fact-Checking eBook Content of Functional Block Diagram Engineering
 - Distinguishing Credible Sources
 13. Promoting Lifelong Learning
 - Utilizing eBooks for Skill Development
 - Exploring Educational eBooks
 14. Embracing eBook Trends
 - Integration of Multimedia Elements
 - Interactive and Gamified eBooks

Functional Block Diagram Engineering Introduction

In the digital age, access to information has become easier than ever before. The ability to download Functional Block Diagram Engineering has revolutionized the way we consume written content. Whether you are a student looking for course material, an avid reader searching for your next favorite book, or a professional seeking research papers, the option to download Functional Block Diagram Engineering has opened up a world of possibilities. Downloading Functional Block Diagram Engineering provides numerous advantages over physical copies of books and documents. Firstly, it is incredibly convenient. Gone are the days of carrying around heavy textbooks or bulky folders filled with papers. With the click of a button, you can gain immediate access to valuable resources on any device. This convenience allows for efficient studying, researching, and reading on the go. Moreover, the cost-effective nature of downloading Functional Block Diagram Engineering has democratized knowledge. Traditional books and academic journals can be expensive, making it difficult for individuals with limited financial resources to access information. By offering free PDF downloads, publishers and authors are enabling a wider audience to benefit from their work. This inclusivity promotes equal opportunities for learning and personal growth. There are numerous websites and platforms where individuals can download Functional Block Diagram Engineering. These websites range from academic databases offering research papers and journals to online libraries with an expansive collection of books from various genres. Many authors and publishers also upload their work to specific websites, granting readers access to their content without any charge. These platforms not only provide access to existing literature but also serve as an excellent platform for undiscovered authors to share their work with the world. However, it is essential to be cautious while downloading Functional Block Diagram Engineering. Some websites may offer pirated or illegally obtained copies of copyrighted material. Engaging in such activities not only violates copyright laws but also undermines the efforts of authors, publishers, and researchers. To ensure ethical downloading, it is advisable to utilize reputable websites that prioritize the legal distribution of content. When downloading Functional Block Diagram Engineering, users should also consider the potential security risks associated with online platforms. Malicious actors may exploit vulnerabilities in unprotected websites to distribute malware or steal personal information. To protect themselves, individuals should ensure their devices have reliable antivirus software installed and validate the legitimacy of the websites they are downloading from. In conclusion, the ability to download Functional Block Diagram Engineering has transformed the way we access information. With the convenience, cost-effectiveness, and accessibility it offers, free PDF downloads have become a popular choice for students, researchers, and book lovers worldwide. However, it is crucial to engage in ethical downloading practices and prioritize personal security when utilizing online platforms. By doing so, individuals can make the most of the vast array of free PDF resources available and embark on a journey of continuous learning and intellectual growth.

FAQs About Functional Block Diagram Engineering Books

How do I know which eBook platform is the best for me? Finding the best eBook platform depends on your reading preferences and device compatibility. Research different platforms, read user reviews, and explore their features before making a choice. Are free eBooks of good quality? Yes, many reputable platforms offer high-quality free eBooks, including classics and public domain works. However, make sure to verify the source to ensure the eBook credibility. Can I read eBooks without an eReader? Absolutely! Most eBook platforms offer web-based readers or mobile apps that allow you to read eBooks on your computer, tablet, or smartphone. How do I avoid digital eye strain while reading eBooks? To prevent digital eye strain, take regular breaks, adjust the font size and background color, and ensure proper lighting while reading eBooks. What the advantage of interactive eBooks? Interactive eBooks incorporate multimedia elements, quizzes, and activities, enhancing the reader engagement and providing a more immersive learning experience. Functional Block Diagram Engineering is one of the best book in our library for free trial. We provide copy of Functional Block Diagram Engineering in digital format, so the resources that you find are reliable. There are also many Ebooks of related with Functional Block Diagram Engineering. Where to download Functional Block Diagram Engineering online for free? Are you looking for Functional Block Diagram Engineering PDF? This is definitely going to save you time and cash in something you should think about.

Find Functional Block Diagram Engineering :

official thea test study guide

numerical analysis and computational procedures by sa mollah

[olivier blanchard macroeconomia pearson pdf](#)

nitro document download

on screen b2 students answers campwilddog net

[nonlinear optimization with engineering applications springer optimization and its applications](#)

noselavit complex na stawy sprawd szczeg owe

one school short notes form 4 chemistry

nidhi agarwal a cute love story

norsk etymologisk ordbok

operations management manual by krajewski

[opel vectra b manual download](#)

nutricion texto y atlas hans konrad biesalski
ocdaniel quotes
onan 4000 service manual

Functional Block Diagram Engineering :

technisches zeichnen für dummies lehmanns de - Jan 10 2023

web auch wenn sie normgerecht und exakt sein muss technisches zeichnen ist kein hexenwerk sven renckly erklärt ihnen von einfachen bis zu 3d darstellungen was sie über das technische zeichnen wissen sollten auch das zeichnen von schrauben und keilwellen kann eine kunst für sich sein

technisches zeichnen für dummies readingsample net - Feb 11 2023

web sie können technische zeichnungen anhand der folgenden kriterien auseinanderhalten skizzen auch handzeichnungen genannt werden immer dann eingesetzt wenn sie ein teil schnell von hand normalerweise ohne zuhilfenahme eines lineals darstellen

technisches zeichnen für dummies taschenbuch 8 märz 2017 amazon de - Jul 16 2023

web sven renckly erklärt ihnen was sie zu einfachen und 3d zeichnungen wissen sollten neben den darstellungsmöglichkeiten erläutert er linienarten lupenfunktion und schnitte zudem beschreibt er wie sie gewinde und bohrungen darstellen die richtige bemaßung finden oberflächenstrukturen darstellen und vieles mehr

technisches zeichnen für dummies thalia - May 14 2023

web mar 8 2017 sven renckly erklärt ihnen was sie zu einfachen und 3d zeichnungen wissen sollten neben den darstellungsmöglichkeiten erläutert er linienarten lupenfunktion und schnitte zudem beschreibt er wie sie gewinde und bohrungen darstellen die richtige bemaßung finden oberflächenstrukturen darstellen und vieles mehr

wiley vch technisches zeichnen für dummies - Apr 13 2023

web vor der konstruktion liegt die technische zeichnung auch wenn sie normgerecht und exakt sein muss technisches zeichnen ist kein hexenwerk sven renckly erklärt ihnen von einfachen bis zu 3d darstellungen was sie

renckly technisches zeichnen für dummies beck shop de - Mar 12 2023

web so wird qualität die norm auch das zeichnen von schrauben und keilwellen kann eine kunst für sich sein sven renckly erklärt ihnen was sie zu einfachen und 3d zeichnungen wissen sollten neben den darstellungsmöglichkeiten erläutert

technisches zeichnen landesbildungsserver baden - Oct 07 2022

web Übungsaufgaben technisches zeichnen klasse 9 diese aufgaben liegen sowohl im pdf format als auch im nccad format bereit diese materialien wurden von fachoberlehrer thomas schneider friedrich schiller schule neuhausen fildern erstellt und

dem landesbildungsserver baden württemberg freundlicherweise zur verfügung gestellt

wiley vch technisches zeichnen für dummies - Aug 17 2023

web technisches zeichnen für dummies renckly sven für dummies 1 auflage märz 2017 346 seiten softcover deutsche dummies isbn 978 3 527 70966 3 wiley vch weinheim inhalt probekapitel index zusatzmaterial kurzbeschreibung vor der konstruktion liegt die technische zeichnung

technisches zeichnen für dummies renckly sven eurobuch - Jun 03 2022

web technisches zeichnen für dummies finden sie alle bücher von renckly sven bei der büchersuchmaschine eurobuch com können sie antiquarische und neubücher vergleichen und sofort zum bestpreis bestellen 9783527709663 broschiertes buchvor der konstruktion liegt die technische zeichnung auch wenn sie

100 einfache zeichnen tutorials für anfänger und - Dec 29 2021

web jun 19 2020 einfache video tutorials zum zeichnen manchmal mochte man in seinem eigenen tempo zeichnen aber manchmal mochte man lieber live gezeigt bekommen was genau zu tun ist in diesem fall sind video tutorials sehr hilfreich sie können den gesamten prozess sehen und dem lehrer beim zeichnen zuhören

technisches zeichnen für dummies renckly sven - Jul 04 2022

web technisches zeichnen für dummies von renckly sven jetzt online bestellen portofrei schnell zuverlässig kein mindestbestellwert individuelle rechnung 20 millionen titel hugendubel info die online buchhandlung für geschäftskunden

technisches zeichnen für dummies weltbild - Sep 06 2022

web bücher online shop technisches zeichnen für dummies von sven renckly hier bei weltbild bestellen und von der gratis lieferung profitieren jetzt kaufen blitzangebote nur solange der aktionsvorrat reicht

technisches zeichnen für dummies by sven renckly - Feb 28 2022

web find many great new used options and get the best deals for technisches zeichnen für dummies by sven renckly paperback 2017 at the best online prices at ebay free delivery for many products

wiley vch technisches zeichnen für dummies - Jun 15 2023

web kurzbeschreibung vor der konstruktion liegt die technische zeichnung auch wenn sie normgerecht und exakt sein muss technisches zeichnen ist kein hexenwerk sven renckly erklärt ihnen von einfachen bis zu 3d darstellungen was sie über das technische zeichnen wissen sollten

technisches zeichnen für dummies register net framework - Nov 08 2022

web für dummies technisches zeichnen für dummies bearbeitet von sven renckly 1 auflage 2017 buch 346 s softcover isbn 978 3 527 70966 3 format b x l 17 6 x 24 cm weitere fachgebiete technik allgemein konstruktionslehre und technik

zu leseprobe und sachverzeichnis schnell und portofrei erhältlich bei

[technisches zeichnen für dummies von sven renckly 2017 ebay](#) - Apr 01 2022

web artikel 2 technisches zeichnen für dummies sven renckly deutsch taschenbuch 346 s technisches zeichnen für dummies sven renckly deutsch taschenbuch 346 s eur 26 00 kostenloser versand

[technisches zeichnen für dummies orell füssli](#) - Aug 05 2022

web mar 8 2017 sven renckly erklärt ihnen was sie zu einfachen und 3d zeichnungen wissen sollten neben den darstellungsmöglichkeiten erläutert er linienarten lupenfunktion und schnitte zudem beschreibt er wie sie gewinde und bohrungen darstellen die richtige bemassung finden oberflächenstrukturen darstellen und vieles mehr

technisches zeichnen für dummies für dummies - Jan 30 2022

web find many great new used options and get the best deals for technisches zeichnen für dummies für dummies renckly 9783527709 pb at the best online prices at ebay free delivery for many products

technisches zeichnen für dummies renckly sven morawa at - May 02 2022

web technisches zeichnen gratisversand mit kundenkarte jetzt bei morawa at kaufen

[technisches zeichnen für dummies renckly sven](#) - Dec 09 2022

web mar 20 2017 technisches zeichnen für dummies renckly sven on amazon com free shipping on qualifying offers

technisches zeichnen für dummies technisches zeichnen für dummies renckly sven 9783527709663 amazon com books skip to main content us hello select your address books

[the map of knowledge google books](#) - Jul 02 2022

web john agard poet and playwrightin the map of knowledge violet moller traces the journey taken by the ideas of three of the greatest scientists of antiquity euclid galen and ptolemy through seven cities and over a thousand years

[the map of knowledge by violet moller ebook ebooks com](#) - Dec 07 2022

web the map of knowledge is an endlessly fascinating book rich in detail capacious and humane in vision stephen greenblatt author of the swerve how the world became modern winner of the pulitzer prize after the fall of rome when many of the great ideas of the ancient world were lost to the ravages of the dark ages three crucial manuscripts

[the map of knowledge by violet moller waterstones](#) - Jan 28 2022

web mar 19 2020 in the map of knowledge violet moller traces the journey taken by the ideas of three of the greatest scientists of antiquity euclid galen and ptolemy through seven cities and over a thousand years in it we follow them from sixth century alexandria to ninth century baghdad from muslim cordoba to catholic toledo from salerno s

[the map of knowledge how classical ideas were lost and](#) - Oct 05 2022

web feb 21 2019 buy the map of knowledge how classical ideas were lost and found a history in seven cities main market by

moller violet isbn 9781509829606 from amazon s book store everyday low prices and free delivery on eligible orders

the map of knowledge a thousand year history of how - Sep 04 2022

web apr 14 2020 violet moller s the map of knowledge takes us into the sparkling intellectual life that flourished there highlighting the crucial role played by arab scholars in improving the cornerstone ideas of western thought she shows us how foundational works on math astronomy and medicine by euclid ptolemy and galen eventually reached venice the *open knowledge maps a visual interface to the world s scientific* - May 12 2023

web open knowledge maps is the world s largest ai based search engine for scientific knowledge we dramatically increase the visibility of research findings for science and society alike learn more about us

violet moller 2019 the map of knowledge how classical - Apr 11 2023

web the map of knowledge shows us how the muslim arabs expanded their territories during the 7th century and absorbed peoples from the byzantine egyptian and persian empires likewise these societies and cultures influenced the

the map of knowledge by violet moller pan macmillan - Aug 03 2022

web mar 19 2020 peter frankopan author of the silk roads in the map of knowledge violet moller traces the journey taken by the ideas of three of the greatest scientists of antiquity euclid galen and ptolemy through seven cities and over a thousand years in it we follow them from sixth century alexandria to ninth century baghdad from muslim

the map of knowledge how classical ideas were lost and - Jul 14 2023

web feb 1 2019 the map of knowledge tells the history of seven cities and how the ideas of scientist from ancient egypt greece and rome euclid galen and ptolemy got used and preserved by the islamic world the cities spotlighted in this book were alexandria egypt baghdad iraq cordoba spain toledo spain salerno italy palermo italy and

the map of knowledge a thousand year history of how - Mar 30 2022

web the map of knowledge a thousand year history of how classical ideas were lost and found moller violet amazon com tr kitap

knowledge graphs a beginner s guide to mapping information - Jun 01 2022

web sep 15 2023 knowledge graphs have steadily become a focal point in the world of data and information management as we strive to make sense of vast amounts of data the role of structures that can effectively represent connect and derive insights from this data becomes paramount enter knowledge graphs a means of mapping intricate

the map of knowledge by violet moller 9781101974063 - Aug 15 2023

web the map of knowledge follows three key texts euclid s elements ptolemy s the almagest and galen s writings on medicine on a perilous journey driven by insatiable curiosity about the world

the map of knowledge how classical ideas were lost and - Dec 27 2021

web in the map of knowledge violet moller traces the journey taken by the ideas of three of the greatest scientists of antiquity euclid galen and ptolemy through seven cities and over a thousand years

[the map of knowledge the guardian bookshop](#) - Apr 30 2022

web knowledge management management decision making management of real estate property plant historical maps atlases industrialisation industrial history maritime history

[book of the week the map of knowledge how classical ideas](#) - Nov 06 2022

web feb 20 2019 in this fascinating history violet moller sets out how classical knowledge was transmitted across the centuries and continents her focus are the ideas of three of antiquity s greatest thinkers the mathematician euclid the physician galen and the astronomer ptolemy and the ways in which they were translated preserved and

[book review of the map of knowledge a thousand year history](#) - Feb 09 2023

web historian violet moller s the map of knowledge a thousand year history of how classical ideas were lost and found re creates the pathways by which scientific and philosophical texts were

[the map of knowledge Şahin uçar s virtual academia](#) - Mar 10 2023

web knowledge perspectives second chapter of speculum mentis ii the map knowledge seven perspectives seven pillars of wisdom rainbow all meaning is an angle angles of perspectives introspectare perspectare prospectare inspectare retrospectare conspectare extrospectare perspectives art religion with its social and

[summary and reviews of the map of knowledge by violet moller](#) - Jan 08 2023

web book summary after the fall of rome when many of the great ideas of the ancient world were lost to the ravages of the dark ages three crucial manuscripts passed hand to hand through seven mediterranean cities and survived to fuel the revival of the renaissance

ela knowledge map jhu institute for education policy - Feb 26 2022

web ela knowledge map database the institute and our key partner chiefs for change created a database to curate the findings and report cross sections of data by text grade level and knowledge domain this resource allows new insights into the knowledge domains and topics that students are exploring in classrooms across the country

[the map of knowledge a thousand year history of how](#) - Jun 13 2023

web may 14 2019 yet some texts did survive and the map of knowledge explores the role played by seven cities around the mediterranean rare centers of knowledge in a dark world where scholars supported by enlightened heads of state collected translated and shared manuscripts

sample observation paper for child development owlcation - Mar 10 2023

web dec 17 2011 sample observation of a 12 month old boy the child s environment ryon is 12 months old he has blue eyes

and has fine short blonde hair he has almond shaped eyes and a very light complexion he is sitting on the floor in his living room which is sparsely furnished with two couches and a television

toddler observation report pdf toddler psychological - Jan 28 2022

web toddler observation hours of sleep i played with him for a few hours and around two o'clock he took a nap woke up at around four thirty if jackson has this same routine everyday then he will get around ten and half hours asleep which is normal for a toddler his age p 104 2 did any of the toddlers behavior seem unusual for this age explain

[ece 31 131 child development spring 2013 toddler observation](#) - Feb 26 2022

web child development toddler observation spring 2013 purpose to see toddlers at work and play in a developmental setting to connect observed toddler behavior with data from the text to practice careful descriptive objective observation directions *reflective report on toddler observation gradesfixer* - Jun 01 2022

web ryan is a twelve month old brown haired brown eyed white toddler he is caucasian with almond shaped eyes i met him at a friend s suburban residence on 10 th february 2020 where he and she live i was there between 12 pm and 6 p m at her place i discovered ryan seated on the living room floor

observing and assessing children s learning and development - Feb 09 2023

web for example in settings practitioners will notice when children have fallen over they will notice that children have run out of glue they will observe and monitor what needs doing as children tidy up these informal observations are vital to the smooth running of the setting

10 tips to write meaningful observations in early years - Apr 11 2023

web descriptive a good observation is one that describes the interaction between the child and another child an adult or an object the description doesn t have to be long and drawn out but it should give a sense of the interaction with that youngster [observation strategies for thoughtful observers child care](#) - Jan 08 2023

web supporting thoughtful observation a video example in the following video clip a teacher gently engages with toddlers as they explore dirt and grass outdoors view the video example dirt and grass access the video clip series

writing observations for babies aussie childcare network - Sep 04 2022

web jan 31 2023 work samples you can include mark making drawings construction and crafts to document observations of babies and toddlers in your care as you collect evidence of their work also add a short text description of what you saw occurring for example the toddler switching hands during mark making or the exact words sound

toddlers observation in childcare settings free essay example - Jun 13 2023

web i observed toddlers in a childcare setting the children engaged in activities like playing and singing i also observed their behavior as they took their meal the childcare setting was spacious enough to allow the toddlers to interact with each other

how to write observations for baby and toddler groups - Aug 15 2023

web if you struggle as an educator to write observations for babies toddlers while also meeting their high needs use these tips templates and strategies

an observation of infants and toddlers gradesfixer - Jul 02 2022

web two toddlers named emma and kristy both 2 5 years old were playing with baby dolls kristy sat the doll in her lap and grabbed a book and pretended as though she was reading to the doll while emma was rocking and singing to her doll

toddler observation research paper free essay example - Dec 27 2021

web may 23 2016 2873 the male child w was observed four times over the course of two weeks totaling four hours he was placed in a classroom designated for 2 year olds along with about 12 other children staffed by two full time teachers and a part time teacher the classroom was a very loud and over decorated environment

child observations aussie childcare network - Aug 03 2022

web child observation templates for childcare centres to record what a child is doing what they are saying observing exactly what you see these templates include a range of different types of observation methods which can be used to document an individual child learning development and skills

observing infants toddlers ccdmd - May 12 2023

web to name just a few examples an educator might use his her observations and analysis to plan an individual intervention with a specific child to make decisions about how best to share observational data with a parent to adjust the furniture in the classroom or to plan the curriculum for the coming week how do early childhood educators observe

toddler observation - Apr 30 2022

web feb 28 2020 the observation was over and i walked the toddler back to class to play with her friends she ran ahead of me into the room during the observation i always asked if the toddler could do something without me demonstrating with p she could do most of the things with just an audio prop but with l i had to demonstrate every single action i asked

how to write better observations in the early years famly - Dec 07 2022

web aug 15 2018 take this example from dr julian grenier s piece on observations in nursery world clive said to jason jump jason jumped and landed in the puddle i do it said clive and he had a turn but missed the puddle jason said oh no clive you have to do it like this he jumped again you look at the puddle and jump on it

[child observation what you need to know safetyculture](#) - Oct 05 2022

web apr 22 2023 here are some child development observation examples to help you document and meet the purpose for observing the child anecdotal records this method involves factual accounts of events that should answer the possible what when and where questions of parents or guardians

observations in childcare aussie childcare network - Nov 06 2022

web apr 1 2015 effective observations will benefit each individual child ensuring that the plans and experiences that follow have been considered based on thorough knowledge of the child and purposeful observations you can find a variety of observation templates and completed samples on our templates page observation templates references

observation documentation and reflection child care - Jul 14 2023

web sharing observations with families for example you might share how a toddler moved a toy shopping cart back and forth until she figured out how to squeeze it behind a table and you might highlight how the child was learning about space and size

child observation forms sample completed devereux - Mar 30 2022

web child observation form use this form in step 1 and throughout the five steps to write detailed observations of each child
date october 11 child haley mcintire time 9 20 a m 9 30 a m other children and adults present observer child s age mr greene