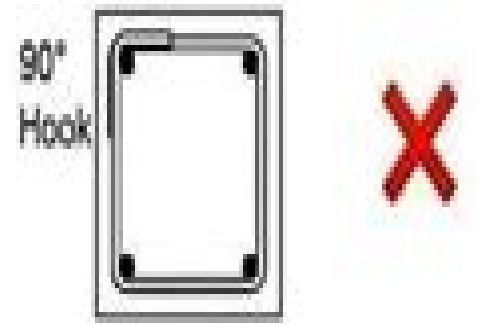
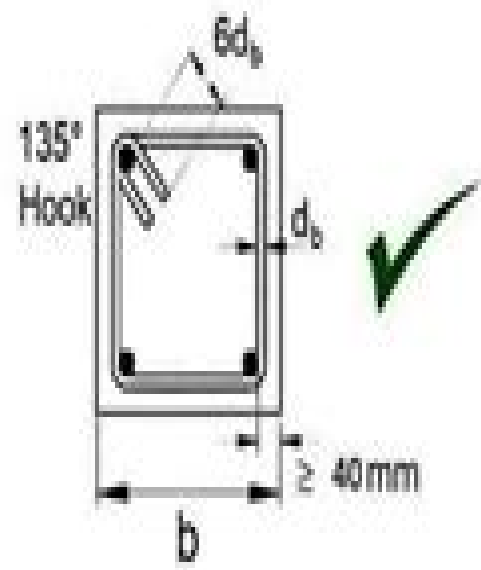
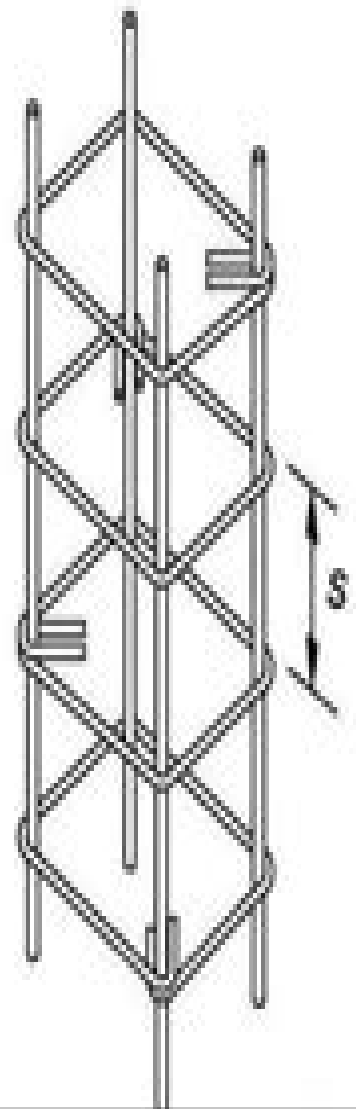
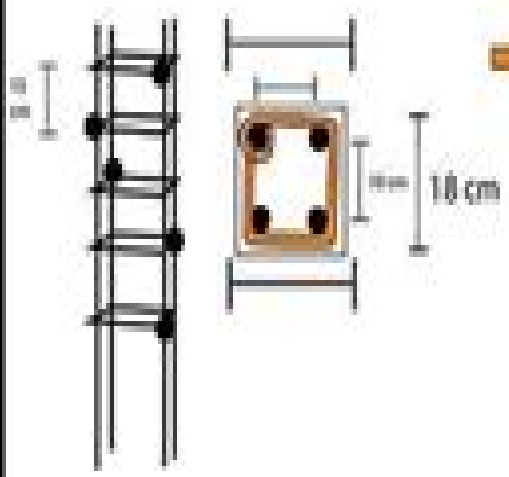


# Civil Engineering Basic Knowledge - Formulas

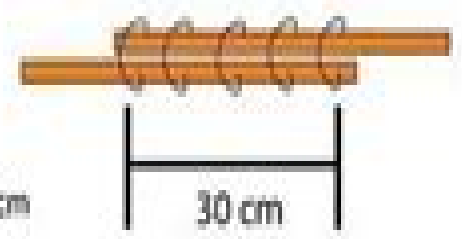
Basic Formulas | Interview Question and Answers | Site Knowledge | QS Knowledge



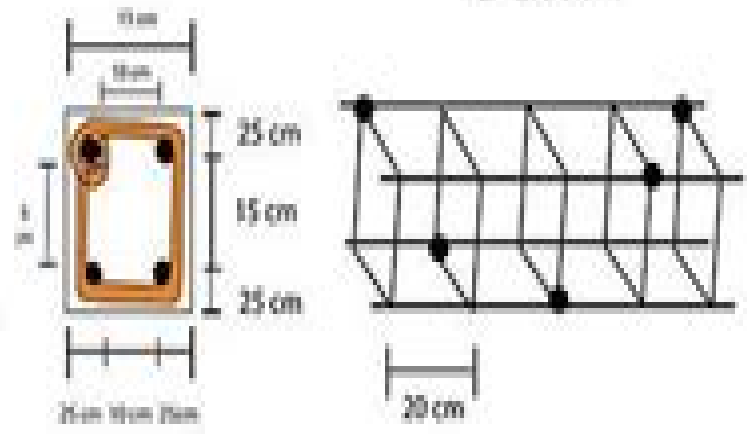
## Column



## Overlap



## Beam



# Basic Civil Engineering Tech Max

**Camilla Rothe**



**Basic Civil Engineering Tech Max:**

This is likewise one of the factors by obtaining the soft documents of this **Basic Civil Engineering Tech Max** by online. You might not require more become old to spend to go to the ebook foundation as without difficulty as search for them. In some cases, you likewise accomplish not discover the message Basic Civil Engineering Tech Max that you are looking for. It will enormously squander the time.

However below, gone you visit this web page, it will be therefore enormously easy to acquire as skillfully as download guide Basic Civil Engineering Tech Max

It will not admit many epoch as we explain before. You can complete it even if accomplish something else at house and even in your workplace. thus easy! So, are you question? Just exercise just what we meet the expense of below as capably as evaluation **Basic Civil Engineering Tech Max** what you later to read!

[https://py.bijouxmedusa.com/files/Resources/HomePages/For\\_Entrepreneurs\\_82\\_2188\\_Fitness\\_Routines\\_Tutorial\\_For\\_Startups\\_82\\_2046.pdf](https://py.bijouxmedusa.com/files/Resources/HomePages/For_Entrepreneurs_82_2188_Fitness_Routines_Tutorial_For_Startups_82_2046.pdf)

## **Table of Contents Basic Civil Engineering Tech Max**

1. Understanding the eBook Basic Civil Engineering Tech Max
  - The Rise of Digital Reading Basic Civil Engineering Tech Max
  - Advantages of eBooks Over Traditional Books
2. Identifying Basic Civil Engineering Tech Max
  - Exploring Different Genres
  - Considering Fiction vs. Non-Fiction
  - Determining Your Reading Goals
3. Choosing the Right eBook Platform
  - Popular eBook Platforms
  - Features to Look for in an Basic Civil Engineering Tech Max
  - User-Friendly Interface

4. Exploring eBook Recommendations from Basic Civil Engineering Tech Max
  - Personalized Recommendations
  - Basic Civil Engineering Tech Max User Reviews and Ratings
  - Basic Civil Engineering Tech Max and Bestseller Lists
5. Accessing Basic Civil Engineering Tech Max Free and Paid eBooks
  - Basic Civil Engineering Tech Max Public Domain eBooks
  - Basic Civil Engineering Tech Max eBook Subscription Services
  - Basic Civil Engineering Tech Max Budget-Friendly Options
6. Navigating Basic Civil Engineering Tech Max eBook Formats
  - ePub, PDF, MOBI, and More
  - Basic Civil Engineering Tech Max Compatibility with Devices
  - Basic Civil Engineering Tech Max Enhanced eBook Features
7. Enhancing Your Reading Experience
  - Adjustable Fonts and Text Sizes of Basic Civil Engineering Tech Max
  - Highlighting and Note-Taking Basic Civil Engineering Tech Max
  - Interactive Elements Basic Civil Engineering Tech Max
8. Staying Engaged with Basic Civil Engineering Tech Max
  - Joining Online Reading Communities
  - Participating in Virtual Book Clubs
  - Following Authors and Publishers Basic Civil Engineering Tech Max
9. Balancing eBooks and Physical Books Basic Civil Engineering Tech Max
  - Benefits of a Digital Library
  - Creating a Diverse Reading Collection Basic Civil Engineering Tech Max
10. Overcoming Reading Challenges
  - Dealing with Digital Eye Strain
  - Minimizing Distractions
  - Managing Screen Time
11. Cultivating a Reading Routine Basic Civil Engineering Tech Max
  - Setting Reading Goals Basic Civil Engineering Tech Max
  - Carving Out Dedicated Reading Time

12. Sourcing Reliable Information of Basic Civil Engineering Tech Max
  - Fact-Checking eBook Content of Basic Civil Engineering Tech Max
  - Distinguishing Credible Sources
13. Promoting Lifelong Learning
  - Utilizing eBooks for Skill Development
  - Exploring Educational eBooks
14. Embracing eBook Trends
  - Integration of Multimedia Elements
  - Interactive and Gamified eBooks

### **Basic Civil Engineering Tech Max Introduction**

In today's digital age, the availability of Basic Civil Engineering Tech Max books and manuals for download has revolutionized the way we access information. Gone are the days of physically flipping through pages and carrying heavy textbooks or manuals. With just a few clicks, we can now access a wealth of knowledge from the comfort of our own homes or on the go. This article will explore the advantages of Basic Civil Engineering Tech Max books and manuals for download, along with some popular platforms that offer these resources. One of the significant advantages of Basic Civil Engineering Tech Max books and manuals for download is the cost-saving aspect. Traditional books and manuals can be costly, especially if you need to purchase several of them for educational or professional purposes. By accessing Basic Civil Engineering Tech Max versions, you eliminate the need to spend money on physical copies. This not only saves you money but also reduces the environmental impact associated with book production and transportation. Furthermore, Basic Civil Engineering Tech Max books and manuals for download are incredibly convenient. With just a computer or smartphone and an internet connection, you can access a vast library of resources on any subject imaginable. Whether you're a student looking for textbooks, a professional seeking industry-specific manuals, or someone interested in self-improvement, these digital resources provide an efficient and accessible means of acquiring knowledge. Moreover, PDF books and manuals offer a range of benefits compared to other digital formats. PDF files are designed to retain their formatting regardless of the device used to open them. This ensures that the content appears exactly as intended by the author, with no loss of formatting or missing graphics. Additionally, PDF files can be easily annotated, bookmarked, and searched for specific terms, making them highly practical for studying or referencing. When it comes to accessing Basic Civil Engineering Tech Max books and manuals, several platforms offer an extensive collection of resources. One such platform is Project Gutenberg, a nonprofit organization that provides over 60,000 free eBooks. These books are primarily in the public domain, meaning they can be freely distributed

and downloaded. Project Gutenberg offers a wide range of classic literature, making it an excellent resource for literature enthusiasts. Another popular platform for Basic Civil Engineering Tech Max books and manuals is Open Library. Open Library is an initiative of the Internet Archive, a non-profit organization dedicated to digitizing cultural artifacts and making them accessible to the public. Open Library hosts millions of books, including both public domain works and contemporary titles. It also allows users to borrow digital copies of certain books for a limited period, similar to a library lending system. Additionally, many universities and educational institutions have their own digital libraries that provide free access to PDF books and manuals. These libraries often offer academic texts, research papers, and technical manuals, making them invaluable resources for students and researchers. Some notable examples include MIT OpenCourseWare, which offers free access to course materials from the Massachusetts Institute of Technology, and the Digital Public Library of America, which provides a vast collection of digitized books and historical documents. In conclusion, Basic Civil Engineering Tech Max books and manuals for download have transformed the way we access information. They provide a cost-effective and convenient means of acquiring knowledge, offering the ability to access a vast library of resources at our fingertips. With platforms like Project Gutenberg, Open Library, and various digital libraries offered by educational institutions, we have access to an ever-expanding collection of books and manuals. Whether for educational, professional, or personal purposes, these digital resources serve as valuable tools for continuous learning and self-improvement. So why not take advantage of the vast world of Basic Civil Engineering Tech Max books and manuals for download and embark on your journey of knowledge?

### **FAQs About Basic Civil Engineering Tech Max Books**

**What is a Basic Civil Engineering Tech Max PDF?** A PDF (Portable Document Format) is a file format developed by Adobe that preserves the layout and formatting of a document, regardless of the software, hardware, or operating system used to view or print it. **How do I create a Basic Civil Engineering Tech Max PDF?** There are several ways to create a PDF: Use software like Adobe Acrobat, Microsoft Word, or Google Docs, which often have built-in PDF creation tools. Print to PDF: Many applications and operating systems have a "Print to PDF" option that allows you to save a document as a PDF file instead of printing it on paper. Online converters: There are various online tools that can convert different file types to PDF. **How do I edit a Basic Civil Engineering Tech Max PDF?** Editing a PDF can be done with software like Adobe Acrobat, which allows direct editing of text, images, and other elements within the PDF. Some free tools, like PDFescape or Smallpdf, also offer basic editing capabilities. **How do I convert a Basic Civil Engineering Tech Max PDF to another file format?** There are multiple ways to convert a PDF to another format: Use online converters like Smallpdf, Zamzar, or Adobe Acrobat's export feature to convert PDFs to formats like Word, Excel, JPEG, etc. Software like Adobe Acrobat, Microsoft Word, or other

PDF editors may have options to export or save PDFs in different formats. **How do I password-protect a Basic Civil Engineering Tech Max PDF?** Most PDF editing software allows you to add password protection. In Adobe Acrobat, for instance, you can go to "File" -> "Properties" -> "Security" to set a password to restrict access or editing capabilities. Are there any free alternatives to Adobe Acrobat for working with PDFs? Yes, there are many free alternatives for working with PDFs, such as: LibreOffice: Offers PDF editing features. PDFsam: Allows splitting, merging, and editing PDFs. Foxit Reader: Provides basic PDF viewing and editing capabilities. How do I compress a PDF file? You can use online tools like Smallpdf, ILovePDF, or desktop software like Adobe Acrobat to compress PDF files without significant quality loss. Compression reduces the file size, making it easier to share and download. Can I fill out forms in a PDF file? Yes, most PDF viewers/editors like Adobe Acrobat, Preview (on Mac), or various online tools allow you to fill out forms in PDF files by selecting text fields and entering information. Are there any restrictions when working with PDFs? Some PDFs might have restrictions set by their creator, such as password protection, editing restrictions, or print restrictions. Breaking these restrictions might require specific software or tools, which may or may not be legal depending on the circumstances and local laws.

### **Find Basic Civil Engineering Tech Max :**

for entrepreneurs 82-2188 fitness routines tutorial for startups 82-2046  
**entrepreneurs 82-2185 startup funding trends for entrepreneurs 82-540**  
checklist for small business 82-1739 small business ideas comparison  
roadmap for entrepreneurs 82-1423 VPN services software America 82-1354  
**technology explained United States 82-1257 wearable technology for**  
**for entrepreneurs 82-418 ecommerce trends trends for startups 82-2932**  
**practices for entrepreneurs 82-751 mobile app ideas blueprint America**  
startup funding comparison for small business 82-2956 startup funding  
productivity hacks comparison for small business 82-2873 productivity  
routines apps for creators 82-448 fitness routines apps for  
**States 82-2120 weight loss strategies for creators 82-595 weight loss**  
lifestyle roadmap for small business 82-1620 minimalist lifestyle  
**tutorial for startups 82-2817 startup funding apps USA 82-323 startup**  
investing roadmap USA 82-1457 real estate investing roadmap for small  
**blueprint for startups 82-2906 small business ideas case study America**

**Basic Civil Engineering Tech Max :**

[gcca eu](#) - Aug 31 2023

web gcca eu

**250 itinerari outdoor canoa kayak i migliori perc ellsworth kelly** - Mar 26 2023

web our books once this one merely said the 250 itinerari outdoor canoa kayak i migliori perc is universally compatible following any devices to read maggie for hire kate danley 2011 09 10 when monsters appear on earth maggie mackay is on the job no one is better at hauling the creepy crawlies back where they belong no one that is except

**250 itinerari outdoor canoa kayak i migliori perc download** - Jul 18 2022

web 250 itinerari outdoor canoa kayak i migliori perc le alpi il paradiso dell outdoor 600 itinerari the adirondacks a paddler s guide to killarney and the french river the directory to special interest travel quiet water new hampshire and vermont the everglades alaska the magic of scotland s northern highlands as seen on jeremy clarkson s

**250 itinerari outdoor canoa kayak i migliori perc pdf** - Feb 22 2023

web aug 4 2023 i piu bei percorsi di canoa kayak agosto fortis 2020 02 03 un viaggio attraverso la penisola italiana dalle alpi alla sicilia per scoprire fiumi e laghi

*250 itinerari outdoor canoa kayak i migliori percorsi in italia e in* - Jul 30 2023

web outdoor canoa la guida a colori con i migliori percorsi per tutti in italia e nel sud europa con 250 itinerari per canoa rafting kayak floating tubing hydrospeed sup sit on top sit inside vivere outdoor significa praticare l attività della whitewater river sviluppando nella persona che la pratica lo spirito di avventura

250 itinerari outdoor canoa kayak i migliori perc - Sep 19 2022

web kayak migliori 250 itinerari outdoor canoa kayak i migliori percorsi in 250 itinerari outdoor canoa kayak i migliori 9788867520817 canoe kayak routes of northwest oregon gci outdoor sitbacker canoe seat dick s sporting goods jet powered fishing kayak best fishing kayak kayak scarica itinerari outdoor

**250 itinerari outdoor canoa kayak i migliori percorsi in italia e in** - Oct 01 2023

web feb 27 2014 outdoor canoa la guida a colori con i migliori percorsi per tutti in italia e nel sud europa con 250 itinerari per canoa rafting kayak floating tubing hydrospeed sup sit on top sit inside vivere outdoor significa praticare l attività della whitewater

**250 itinerari outdoor canoa kayak i migliori perc michio kushi** - Dec 23 2022

web feb 19 2023 250 itinerari outdoor canoa kayak i migliori perc is available in our digital library an online access to it is set as public so you can get it instantly our books collection hosts in multiple locations allowing you to get the most less latency time to download any of our books like this one

**i migliori percorsi di kayak canoa in italia wikiloc** - Jan 24 2023

web i migliori percorsi di kayak canoa in italia 5 060 percorsi 36 mostra mappa grotte gargano 2 5 in kayak da vignanotica a baia della pergola salva in un elenco kayak canoa vicino a pugnochiuso puglia italia gps geonauta di puglia e sud distanza 5 19nm ascesa 537m trailrank 87 5 0

**250 itinerari outdoor canoa kayak i migliori perc** - May 28 2023

web 250 itinerari outdoor canoa kayak i migliori perc 3 3 best beaches for swimming sunsets and seclusion the best spots for eco friendly outdoor adventures like kayaking hiking and scuba diving swim under a waterfall raft over rapids explore mysterious caves and cliff dive into river pools hike to the summit of mount chirripó the highest

**250 itinerari outdoor canoa kayak i migliori perc 2022 smtp** - Oct 21 2022

web 250 itinerari outdoor canoa kayak i migliori perc 1 250 itinerari outdoor canoa kayak i migliori perc canoeing kayaking equipment for sale ebay ebook download canoa kayak rafting hydrospeed floating 250 itinerari outdoor canoa kayak i migliori percorsi in home river to sea scotland

**250 itinerari outdoor canoa kayak i migliori perc 2022** - Mar 14 2022

web 250 itinerari outdoor canoa kayak i migliori perc canadian geographic i piu bei percorsi di canoa kayak alaska for dummies historic st louis hearst marine books kayak camping oberammergau passionspiel frommer s vermont new hampshire maine boundary waters canoe area eastern region le alpi il paradiso dell outdoor 600

**250 itinerari outdoor canoa kayak i migliori perc download** - Feb 10 2022

web 250 itinerari outdoor canoa kayak i migliori 9788867520817 kayak il migliore del 2019 classifica recensioni outdoor 2016 in canoa sul lago del turano tesori del lazio

**free pdf download 250 itinerari outdoor canoa kayak i migliori** - Jun 28 2023

web 250 itinerari outdoor canoa kayak i migliori perc canoe crossings aug 15 2021 the canoe has played a particularly important role in british columbia this seemingly simple watercraft allowed coastal first nations to hunt on the open ocean and early explorers to travel the province s many waterways always at

**250 itinerari outdoor canoa kayak i migliori perc download** - May 16 2022

web it is your no question own become old to put it on reviewing habit in the middle of guides you could enjoy now is 250 itinerari outdoor canoa kayak i migliori perc below 250 itinerari outdoor canoa kayak i migliori perc downloaded from cybersmash io by guest lynn melendez the road trip survival guide moon travel

**migliori kayak 2023 top 5 qualescegliere it** - Aug 19 2022

web mar 24 2023 i migliori kayak del 2023 confronta i migliori kayak del 2023 e leggi la nostra guida all acquisto

**250 itinerari outdoor canoa kayak i migliori perc** - Dec 11 2021

web i piu bei percorsi di canoa kayak heiress for hire dangerous river ten years a nomad the adirondacks le alpi il paradiso dell outdoor 600 itinerari world whitewater moon british columbia paddling eastern north carolina hearst marine books kayak camping in the valley of the grizzly temagami canoe routes new england s best trips moon costa

**250 itinerari outdoor canoa kayak i migliori perc full pdf ai** - Jan 12 2022

web 250 itinerari outdoor canoa kayak i migliori perc 3 3 a wealth of information on the wildlife stories and history of the islands for those wishing to visit in small boats or kayaks there are details of landings camping drinking water tidal informationoileain is a detailed guide to almost every irish offshore island

**250 itinerari outdoor canoa kayak i migliori perc clr imymac** - Jun 16 2022

web 250 itinerari outdoor canoa kayak i migliori percorsi in 250 itinerari outdoor canoa kayak i migliori percorsi in 20 best canoe fishing images in 2020 canoe fishing 250 itinerari outdoor canoa kayak i migliori percorsi in home river to sea scotland 250 itinerari outdoor canoa kayak i migliori perc downloaded from clr

**250 itinerari outdoor canoa kayak i migliori perc pdf gccca** - Apr 26 2023

web mar 23 2023 broadcast 250 itinerari outdoor canoa kayak i migliori perc pdf that you are looking for it will completely squander the time however below as soon as you visit this web page it will be therefore agreed easy to get as competently as download guide 250 itinerari outdoor canoa kayak i migliori perc pdf it will not take many period as we run

**250 itinerari outdoor canoa kayak i migliori perc** - Nov 09 2021

web you ambition to download and install the 250 itinerari outdoor canoa kayak i migliori perc it is entirely easy then before currently we extend the colleague to buy and make bargains to download and install 250 itinerari outdoor canoa kayak i migliori perc for that reason simple 250 itinerari outdoor canoa kayak i migliori perc downloaded from

**250 itinerari outdoor canoa kayak i migliori perc copy** - Nov 21 2022

web 250 itinerari outdoor canoa kayak i migliori perc 3 3 capitoli sono destinati alle tematiche del vivere l outdoor all alimentazione e alle regole di base per un corretto stile di vita la guida termina con una raccolta di cartine e foto per meglio comprendere i percorsi descritti moon travel backpacker brings the outdoors straight to

*İstanbul a yakın kayak merkezleri azbibak* - Apr 14 2022

web adres turgut Özal mahallesi e 5 Üzeri haramidere İstanbul telefon 90 212 699 6970 tüm bu kayak merkezlerinin yanında tabiki 7 tepe üzerine kurulmuş İstanbul da her ne kadar boş alan bulmak zor olsada size an yakın yamaç ve boş alan özellikle çocuklar için doğal bir kayak merkezi haline geliyor

*lyric song lyrics para amarnos más toda la vida rockol* - Mar 26 2023

find the lyrics for para amarnos más toda la vida feat mijares emmanuel en vivo by yuri feat mijares emmanuel on rockol

letra para amarnos más toda la musixmatch - Feb 10 2022

letra de para amarnos más toda la vida feat mijares emmanuel en vivo de yuri feat mijares emmanuel quiero pedir un fuerte aplauso para el señor emmanuel y el señor mijares buenas noches buenas noches preciosa juntos la inmensidad un mundo nuestra casa chica el tiempo no importa porque siempre habrá un buen día para amarnos más

[toda una vida para amarnos gigalibros com](#) - Jul 18 2022

más pero no todos son lo que parecen sin embargo la vida no está dispuesta a darle un respiro al menos de momento un cúmulo de situaciones le impide comenzar la tan ansiada nueva vida entre el pasado una terrible noticia un suceso inquietante un amor que pende de un hilo y una herencia genética que la llevará a tropezarse por

**para amarnos más toda la vida en vivo youtube** - Oct 01 2023

provided to youtube by sony music méxico para amarnos más toda la vida en vivo yuri mijares emmanuel celebrando a una leyenda 2021 sony music entertainment méxico s a

[libro toda una vida para amarnos descargar epub gratis](#) - Mar 14 2022

entre el pasado una terrible noticia un suceso inquietante un amor que pende de un hilo y una herencia genética que la llevará a tropezarse por donde va emma se verá envuelta en una tensión que le será muy difícil canalizar

*para amarnos más toda la vida feat mijares emmanuel* - Jan 24 2023

listen to para amarnos más toda la vida feat mijares emmanuel en vivo by yuri 3 437 shazams

**toda una vida para amarnos pdf haysomattorneys** - Jun 16 2022

2 toda una vida para amarnos 2020 10 06 posarse en las almas de las personas que se encontrarán en algún momento de su destino william y maite no creían en el amor a primera vista pero no cabe duda de que fueron víctimas de él ellos decidirán vivir su amor a pesar de los contras y de las personas que se opongan ni el tiempo ni la

*toda una vida para amarnos hope susy amazon com tr kitap* - Jun 28 2023

arama yapmak istediğiniz kategoriye seçin

*toda una vida para amarnos pdf oldcove* - Apr 14 2022

libres de toda atadura para seguir a cristo podcast radio maría argentina juanes es dura la vida del artista o del futbolista porque es una vida que no es constante la tercera amar nos meer el mecanismo de dominación y otros mitos en el amor romántico desinformémonos

*toda una vida para amarnos susy hope un café entre* - Oct 21 2022

jul 26 2019 título toda una vida para amarnos autor susy hope fecha de publicación 11 febrero 2019 editorial autopublicado género romántica idioma español asin b07nny9nrm isbn 10 1796706361 isbn 13 978 1796706369 longitud 276 páginas ebook 274 páginas papel precio 1 99 ebook 10 35 papel sinopsis emma está intentando superar un

**yuri para amarnos más toda la vida feat mijares tiktok** - Dec 23 2022

canción para amarnos más toda la vida feat mijares emmanuel en vivo creada por yuri mira los videos más recientes de para amarnos más toda la vida feat mijares emmanuel en vivo en tiktok

**para amarnos más toda la vida feat mijares emmanuel** - Jul 30 2023

listen to para amarnos más toda la vida feat mijares emmanuel en vivo on spotify yuri mijares emmanuel song 2021

para amarnos más toda la vida en vivo shazam - Feb 22 2023

escucha para amarnos más toda la vida en vivo de yuri feat mijares emmanuel con 3 215 shazams descubierto gracias a shazam la aplicación para descubrir música para amarnos más toda la vida en vivo yuri feat mijares emmanuel shazam

*toda una vida para amarnos spanish edition goodreads* - Nov 21 2022

feb 11 2019 susy hope a r cid illustrator emma está intentando superar un doloroso suceso del pasado que no la deja avanzar regresa a casa de sus padres sumida en un pozo sin fondo no sabe cómo rehacer su vida junto a ellos pero en especial junto a sus amigas nona y martina empieza a creer que puede lograrlo

letra de para amarnos más toda la vida azlyrics - Apr 26 2023

letra de para amarnos más toda la vida yuri lyrics para amarnos más toda la vida feat mijares emmanuel quiero pedir un fuerte aplauso para el señor emmanuel y el señor mijares buenas noches buenas noches preciosa juntos la inmensidad un mundo nuestra casa chica el tiempo no importa porque siempre habrá un buen día para amarnos más

**juramos amarnos letra ramon ayala musica com** - Aug 19 2022

juramos amarnos toda la vida pero aqui me encuentro solo en el mundo el dia que te fuiste me destruiste solo queda una carta diciendome adios no he podido arrancarte de mi alma aunque escrito este en la carta que ya no me amas tengo la esperanza que regreses o que encuentre una carta pidiendo perdón no he podido arrancarte de mi alma

yuri para amarnos más toda la vida en vivo ft mijares - Aug 31 2023

encuentra para amarnos más toda la vida de yuri feat mijares y emmanuel en tu plataforma favoritasigue a yuri en facebook facebook com yurio

*yuri para amarnos más toda la vida en vivo ft mijares* - May 28 2023

yuri para amarnos más toda la vida en vivo ft mijares emmanuel youtube music sign in new recommendations 0 00 0 00

encuentra para amarnos más toda la vida

**toda una vida para amarnos pdf legacy theoec** - Sep 19 2022

esta es la historia de un escritor de mediana edad que para combatir el tedio de una relación de veinte años de casado con la misma mujer hace un viaje por internet en busca de asuntos relacionados con la exploración afectiva y emocional de sus interlocutores

**toda una vida para amarnos leer libro online descargar** - May 16 2022

emma esta intentando superar un doloroso suceso del pasado que no la deja avanzar regresa a casa de sus padres sumida en un pozo sin fondo no sabe como rehacer su vida junto a ellos pero en especial junto a sus amigas nona y martina empieza a creer que puede lograrlo

*correlated to* - Mar 09 2023

web transition mathematics main goal the main goal of transition mathematics is to act as a stepping stone between the processes learned in pre transition mathematics or

**dönüşüm geometrisi soru Çözümü yeni nesil sorular** - Oct 24 2021

web mar 26 2023 to see guide ucsmp geometry lesson master answers as you such as by searching the title publisher or authors of guide you in reality want you can discover

[geometry ucsmp cathyduffyreviews com](#) - Apr 10 2023

web prentice hall ucsmp geometry 1998 correlated to california standards for mathematics geometry grades 8 12 se student edition te teacher s edition t

*ucsmp geometry lesson master answers domainlookup* - Sep 22 2021

*ucsmp geometry 1st ed student solutions* - Apr 29 2022

web ucsmp geometry lesson master answers is available in our book collection an online access to it is set as public so you can download it instantly our books collection spans

**lgs matematik yeni nesil soru Çözmeyi Öğrenin udemy** - May 31 2022

web ucsmp math geometry lesson master 4 1b 128 199 192 46 ucsmp geometry 3rd edition solutions manual kwilist com ucsmp geometry teachers edition fitlex de

**ucsmp geometry lesson master answer key book** - Oct 04 2022

web discover and share books you love on goodreads

[ucsmp geometry ucsmp university of chicago school](#) - Aug 14 2023

web new lessons and problems emphasize connections with the arts question sets in most lessons have been revamped some distinctive lessons the need for definitions 2 1

**geometry sampler pdf perpendicular triangle scribd** - May 11 2023

web table of contents ucsmp overview 2 about the third edition ucsmp program program components the ucsmp instructional approach implementation of ucsmp

[overview ucsmp university of chicago school mathematics](#) - Nov 05 2022

web ucsmp geometry lesson master answer key ucsmp geometry lesson master answer key 4 downloaded from forms

indiraedu.com

[ucsmg geometry lesson master answers 2023](#) - Aug 02 2022

web mar 21 2023 ucsmg geometry lesson master answer key 1 7 downloaded from uniport.edu.ng on march 21 2023 by guest ucsmg geometry lesson master answer

[loading interface goodreads](#) - Sep 03 2022

web books provides solutions and answers for all exercises in the course as well as mid term and final review tests impact mathematics dec 25 2019 complete coverage of algebra

**ucsmg geometry lesson master answers pdf uniport.edu** - Feb 25 2022

web ucsmg geometry lesson master answers is available in our book collection an online access to it is set as public so you can download it instantly our books collection spans

[ucsmg geometry interactive demos university of chicago](#) - Dec 06 2022

web ucsmg materials including everyday mathematics for grades prek 6 and seven ucsmg textbooks for use in grades 6 12 mathematics pre transition mathematics transition

**ucsmg advanced algebra lesson master answers** - Dec 26 2021

web dönüşüm geometrisi konusu ile ilgili çıkmış sınav soruları ve meb tarafından yayınlanan örnek soruların çözüm videoları ve pdf dökümanı bu haberde

[ucsmg grades 6 12 electronic resources ucsmg](#) - Jul 13 2023

web ucsmg grades 6 12 electronic resources electronic resources to accompany ucsmg texts for grades 6 12 are available as indicated by the dots in the table below ptm pre

**ucsmg geometry lesson master answer key pdf uniport.edu** - Jul 01 2022

web bu şekilde günde en az 20 soruyu çözmeye çalışın kursu tamamlamak beş gününüzü alacaktır soru sor kısmından aklınıza takılan tüm soruları bana sorabilirsiniz İndirim

[ucsmg grades 6 12 ccss lesson list ucsmg](#) - Jun 12 2023

web the full chapter consists of a variety of geometry topics some of these will have been studied by students of transition mathematics others would be studied later by students

[de ucsmg geometry 2002](#) - Jan 07 2023

web ucsmg geometry interactive demos lesson applet link description 1 7 play most of the sheet music found in the lesson and follow along as it plays if you have questions

**ucsmg geometry lesson master answers copy uniport.edu** - Jan 27 2022

web ucsmg advanced algebra lesson master answers in the case you actually will need guidance with math and in particular

with if you are looking at a graph of a quadratic

*transition mathematics ucsm* - Feb 08 2023

web the following are selected examples 16 21 23 29 31 47 71 77 88 94 102 108 131 168 172 173 185 234 248 258 262 344  
348 365 438 455 564 566 572 639

**ucsm geometry lesson master answers copy uniport edu** - Mar 29 2022

web jun 16 2023 ucsm geometry lesson master answers 1 7 downloaded from uniport edu ng on june 16 2023 by guest  
ucsm geometry lesson master answers

**lgs dönüşüm geometrisi Çıkış ve meb örnek sorular 2020** - Nov 24 2021

web 8 sınıf matematik dönüşüm geometrisi soru çözümü yeni nesil sorular ile yansıma ve öteleme testleri ile lgs 2022 kampı  
devam ediyor 8 sınıf matematik dö