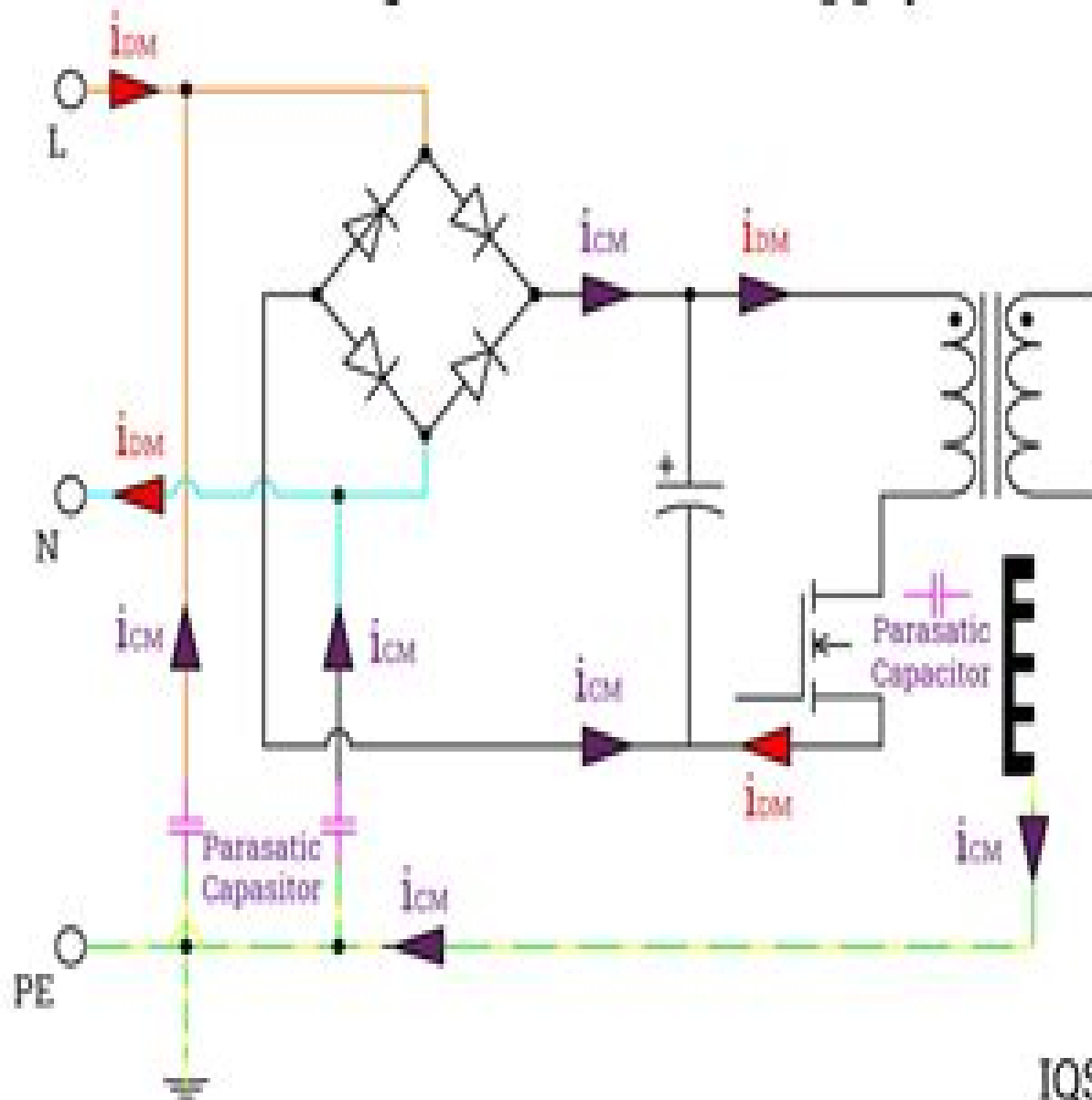


Switching Mode Power Supply



Ac Dc Switch Mode Power Supply Design Guide

Bob Dobkin, Jim Williams



Ac Dc Switch Mode Power Supply Design Guide:

The Circuit Designer's Companion Peter Wilson, 2012-01-12 Grounding and Wiring Printed Circuits Passive Components Active Components Analog Integrated Circuits Digital Circuits Power Supplies Electromagnetic Compatibility General Product Design Appendices **Power Electronics Handbook** Muhammad H. Rashid, 2010-07-19 Power electronics which is a rapidly growing area in terms of research and applications uses modern electronics technology to convert electric power from one form to another such as ac dc dc dc dc ac and ac ac with a variable output magnitude and frequency Power electronics has many applications in our every day life such as air conditioners electric cars sub way trains motor drives renewable energy sources and power supplies for computers This book covers all aspects of switching devices converter circuit topologies control techniques analytical methods and some examples of their applications 25% new content Reorganized and revised into 8 sections comprising 43 chapters Coverage of numerous applications including uninterruptable power supplies and automotive electrical systems New content in power generation and distribution including solar power fuel cells wind turbines and flexible transmission **Practical Switching Power Supply Design** Marty Brown, 1990-03-28 Why use switching power supplies How a switching power supply works A walk through a representative switching power supply Switching power supply topologies Semiconductors used in a switching power supply The magnetic components within a switching power supply Cross regulation of the outputs Protection Miscellaneous topics Closing the loop feedback and stability Resonant converters an introduction Switching power supply design examples

Switchmode Power Supply Handbook Keith Billings, 1999 Unarguably the leading hands on guide in this rapidly expanding area of electronics Keith Billings new revision of his Switchmode Power Supply Handbook brings state of the art techniques and developments to engineers at all levels Offering sound working knowledge of the latest in topologies and clear step by step approaches to component decisions this Handbook gives power supply designers practical solutions oriented design guidance free of unnecessarily complicated mathematical derivations and theory This thoroughly updated Handbook features many new fully worked examples as well as numerous nomograms everything you need to design today's smaller faster and cooler systems Turn to just about any page and you'll find cutting edge design expertise on electronic ballast power factor correction new thermal management techniques transformers chokes input filters EMI control converters snubber circuits auxiliary systems and much more The most comprehensive book on power supply design available anywhere Switchmode Power Supply Handbook is the industry standard now fully updated for the 21st century

The SBE Broadcast Engineering Handbook: A Hands-on Guide to Station Design and Maintenance Jerry C. Whitaker, 2016-04-22 Up To Date Broadcast Engineering Essentials This encyclopedic resource offers complete coverage of the latest broadcasting practices and technologies Written by a team of recognized experts in the field the SBE Broadcast Engineering Handbook thoroughly explains radio and television transmission systems DTV transport information technology

systems for broadcast applications production systems facility design broadcast management and regulatory issues In addition valuable easy to use appendices are included with extensive reference data and tables The SBE Broadcast Engineering Handbook is a hands on guide to broadcast station design and maintenance SBE Broadcast Engineering Handbook covers Regulatory Requirements and Related Issues AM FM and TV Transmitters Transmission Lines and Antenna Systems DTV Transmission Systems Coverage and Measurement MPEG 2 Transport Program and System Information Protocol PSIP Information Technology for Broadcast Plants Production Facility Design Audio and Video Monitoring Systems Master Control and Centralized Facilities Asset Management Production Intercom Systems Production Lighting Systems Broadcast Facility Design Transmission System Maintenance Broadcast Management and Leadership **Handbook of Switchmode Power Supplies** Keith H. Billings,1989 Standard Handbook for Electrical Engineers Donald Fink,H. Wayne Beaty,2006-08-25 The Standard Handbook for Electrical Engineers has served the EE field for nearly a century Originally published in 1907 through 14 previous editions it has been a required resource for students and professionals This new 15th edition features new material focusing on power generation and power systems operation two longstanding strengths of the handbook that have recently become front burner technology issues At the same time the entire format of the handbook will be streamlined removing archaic sections and providing a quick easy look up experience *Analog Circuit Design* Bob Dobkin,Jim Williams,2011-09-26 Analog circuit and system design today is more essential than ever before With the growth of digital systems wireless communications complex industrial and automotive systems designers are challenged to develop sophisticated analog solutions This comprehensive source book of circuit design solutions will aid systems designers with elegant and practical design techniques that focus on common circuit design challenges The book s in depth application examples provide insight into circuit design and application solutions that you can apply in today s demanding designs Covers the fundamentals of linear analog circuit and system design to guide engineers with their design challenges Based on the Application Notes of Linear Technology the foremost designer of high performance analog products readers will gain practical insights into design techniques and practice Broad range of topics including power management tutorials switching regulator design linear regulator design data conversion signal conditioning and high frequency RF design Contributors include the leading lights in analog design Robert Dobkin Jim Williams and Carl Nelson among others Power Electronics Applied to Industrial Systems and Transports, Volume 1 Nicolas Patin,2015-04-09 Power electronics is based on the switching operating mode of semiconductor components On this basis the concepts of type voltage or current and reversibility of interconnected sources make it possible to apply a methodology for the synthesis of various types of converters Here the author presents the major types of components available always from a user s point of view with the gate drive fire control and other auxiliary circuits that are required for their proper functioning snubbers for example The different passive components capacitors coils and transformers are discussed as well as printed circuit technology especially

in the aspect of their design This book also focuses on the importance of packaging by reviewing the electrical representation of components thermal models and the currently available electronics cooling technologies Modeling is discussed as well as different technological aspects used in the engineering design of an electronic power converter useful for obtaining satisfactory performance and reliability Presenting the essential notions in power electronics from both the theoretical and technological perspectives Dedicated chapters with a focus on connection rules reversibility and impact choices of switches for converter synthesis Presented from a user s perspective to enable you to apply the theory of power electronics to practical applications

The Electronics Handbook Jerry C. Whitaker,1996-12-23 The superb organization of The Electronics Handbook means that it is not only a comprehensive and fascinating reference but also a pleasure to use Some of these organizational features include *Science Abstracts* ,1993 *Electronic Design* ,2001 *EDN* ,2004 **Electronic Products Magazine** ,1996 *IC Master* ,1990 **Switch-Mode Power Supply Simulation: Designing with SPICE 3 :**

Designing with SPICE 3 Steven Sandler,2005-11-11 A master class in power supply design through circuit simulation This book CD ROM package covers every essential aspect of power supply design simulation and fully explains the fundamentals of SPICE 3 simulation techniques CD ROM contains SPICE3 and ISPICE simulation models and examples from the book allowing easy customization **Switch-Mode Power Supplies, Second Edition** Christophe P. Basso,2014-06-04 THE LATEST SPICE SIMULATION AND DESIGN TOOLS FOR CREATING STATE OF THE ART SWITCHMODE POWER SUPPLIES Fully updated to incorporate new SPICE features and capabilities this practical guide explains step by step how to simulate test and improve switch mode power supply designs Detailed formulas with founding equations are included Based on the author s continued research and in depth handson work in the field this revised resource offers a collection of the latest SPICE solutions to the most difficult problem facing power supply designers creating smaller more heat efficient power supplies in shorter design cycles NEW to this edition Complete analysis of rms currents for the three basic cells in CCM and DCM PWM switch at work in the small signal analysis of the DCM boost and the QR flyback OTA based compensators Complete transistor level TL431 model Small signal analysis of the borderline operated boost PFC circuit operated in voltage or current mode All over power phenomena in QR or fixed frequency discontinuous continuous flyback converters Small signal model of a QR flyback converter Small signal model of the active clamp forward converter operated in voltage mode control Electronic content design templates and examples available online Switch Mode Power Supplies SPICE Simulations and Practical Designs Second Edition covers Small signal modeling Feedback and ciontrol loops Basic blocks and generic switched models Nonisolated converters Off line converters Flyback converters Forward converters Power factor correction

DC-DC Switching Regulator Analysis Daniel M. Mitchell,1988 **Recent Developments in Power Electronics** M. H. Rashid,1996 This book of selected readings is a compilation on the most important thought in the area of power electronics Here under one cover Rashid has selected key papers from 78 of the most respected names in the industry 73 Amateur

Radio Today ,1994

Delve into the emotional tapestry woven by Emotional Journey with in **Ac Dc Switch Mode Power Supply Design Guide** . This ebook, available for download in a PDF format (*), is more than just words on a page; it's a journey of connection and profound emotion. Immerse yourself in narratives that tug at your heartstrings. Download now to experience the pulse of each page and let your emotions run wild.

https://py.bijouxmedusa.com/book/book-search/default.aspx/snow_daze_the_music_of_winter_outbreak_games_wiki.pdf

Table of Contents Ac Dc Switch Mode Power Supply Design Guide

1. Understanding the eBook Ac Dc Switch Mode Power Supply Design Guide
 - The Rise of Digital Reading Ac Dc Switch Mode Power Supply Design Guide
 - Advantages of eBooks Over Traditional Books
2. Identifying Ac Dc Switch Mode Power Supply Design Guide
 - Exploring Different Genres
 - Considering Fiction vs. Non-Fiction
 - Determining Your Reading Goals
3. Choosing the Right eBook Platform
 - Popular eBook Platforms
 - Features to Look for in an Ac Dc Switch Mode Power Supply Design Guide
 - User-Friendly Interface
4. Exploring eBook Recommendations from Ac Dc Switch Mode Power Supply Design Guide
 - Personalized Recommendations
 - Ac Dc Switch Mode Power Supply Design Guide User Reviews and Ratings
 - Ac Dc Switch Mode Power Supply Design Guide and Bestseller Lists
5. Accessing Ac Dc Switch Mode Power Supply Design Guide Free and Paid eBooks
 - Ac Dc Switch Mode Power Supply Design Guide Public Domain eBooks
 - Ac Dc Switch Mode Power Supply Design Guide eBook Subscription Services
 - Ac Dc Switch Mode Power Supply Design Guide Budget-Friendly Options

6. Navigating Ac Dc Switch Mode Power Supply Design Guide eBook Formats
 - ePub, PDF, MOBI, and More
 - Ac Dc Switch Mode Power Supply Design Guide Compatibility with Devices
 - Ac Dc Switch Mode Power Supply Design Guide Enhanced eBook Features
7. Enhancing Your Reading Experience
 - Adjustable Fonts and Text Sizes of Ac Dc Switch Mode Power Supply Design Guide
 - Highlighting and Note-Taking Ac Dc Switch Mode Power Supply Design Guide
 - Interactive Elements Ac Dc Switch Mode Power Supply Design Guide
8. Staying Engaged with Ac Dc Switch Mode Power Supply Design Guide
 - Joining Online Reading Communities
 - Participating in Virtual Book Clubs
 - Following Authors and Publishers Ac Dc Switch Mode Power Supply Design Guide
9. Balancing eBooks and Physical Books Ac Dc Switch Mode Power Supply Design Guide
 - Benefits of a Digital Library
 - Creating a Diverse Reading Collection Ac Dc Switch Mode Power Supply Design Guide
10. Overcoming Reading Challenges
 - Dealing with Digital Eye Strain
 - Minimizing Distractions
 - Managing Screen Time
11. Cultivating a Reading Routine Ac Dc Switch Mode Power Supply Design Guide
 - Setting Reading Goals Ac Dc Switch Mode Power Supply Design Guide
 - Carving Out Dedicated Reading Time
12. Sourcing Reliable Information of Ac Dc Switch Mode Power Supply Design Guide
 - Fact-Checking eBook Content of Ac Dc Switch Mode Power Supply Design Guide
 - Distinguishing Credible Sources
13. Promoting Lifelong Learning
 - Utilizing eBooks for Skill Development
 - Exploring Educational eBooks
14. Embracing eBook Trends
 - Integration of Multimedia Elements

- Interactive and Gamified eBooks

Ac Dc Switch Mode Power Supply Design Guide Introduction

In this digital age, the convenience of accessing information at our fingertips has become a necessity. Whether its research papers, eBooks, or user manuals, PDF files have become the preferred format for sharing and reading documents. However, the cost associated with purchasing PDF files can sometimes be a barrier for many individuals and organizations. Thankfully, there are numerous websites and platforms that allow users to download free PDF files legally. In this article, we will explore some of the best platforms to download free PDFs. One of the most popular platforms to download free PDF files is Project Gutenberg. This online library offers over 60,000 free eBooks that are in the public domain. From classic literature to historical documents, Project Gutenberg provides a wide range of PDF files that can be downloaded and enjoyed on various devices. The website is user-friendly and allows users to search for specific titles or browse through different categories. Another reliable platform for downloading Ac Dc Switch Mode Power Supply Design Guide free PDF files is Open Library. With its vast collection of over 1 million eBooks, Open Library has something for every reader. The website offers a seamless experience by providing options to borrow or download PDF files. Users simply need to create a free account to access this treasure trove of knowledge. Open Library also allows users to contribute by uploading and sharing their own PDF files, making it a collaborative platform for book enthusiasts. For those interested in academic resources, there are websites dedicated to providing free PDFs of research papers and scientific articles. One such website is Academia.edu, which allows researchers and scholars to share their work with a global audience. Users can download PDF files of research papers, theses, and dissertations covering a wide range of subjects. Academia.edu also provides a platform for discussions and networking within the academic community. When it comes to downloading Ac Dc Switch Mode Power Supply Design Guide free PDF files of magazines, brochures, and catalogs, Issuu is a popular choice. This digital publishing platform hosts a vast collection of publications from around the world. Users can search for specific titles or explore various categories and genres. Issuu offers a seamless reading experience with its user-friendly interface and allows users to download PDF files for offline reading. Apart from dedicated platforms, search engines also play a crucial role in finding free PDF files. Google, for instance, has an advanced search feature that allows users to filter results by file type. By specifying the file type as "PDF," users can find websites that offer free PDF downloads on a specific topic. While downloading Ac Dc Switch Mode Power Supply Design Guide free PDF files is convenient, its important to note that copyright laws must be respected. Always ensure that the PDF files you download are legally available for free. Many authors and publishers voluntarily provide free PDF versions of their work, but its essential to be cautious and verify the authenticity of the source before downloading Ac Dc Switch Mode Power Supply Design Guide. In conclusion, the internet offers numerous platforms and websites that allow

users to download free PDF files legally. Whether its classic literature, research papers, or magazines, there is something for everyone. The platforms mentioned in this article, such as Project Gutenberg, Open Library, Academia.edu, and Issuu, provide access to a vast collection of PDF files. However, users should always be cautious and verify the legality of the source before downloading Ac Dc Switch Mode Power Supply Design Guide any PDF files. With these platforms, the world of PDF downloads is just a click away.

FAQs About Ac Dc Switch Mode Power Supply Design Guide Books

How do I know which eBook platform is the best for me? Finding the best eBook platform depends on your reading preferences and device compatibility. Research different platforms, read user reviews, and explore their features before making a choice. Are free eBooks of good quality? Yes, many reputable platforms offer high-quality free eBooks, including classics and public domain works. However, make sure to verify the source to ensure the eBook credibility. Can I read eBooks without an eReader? Absolutely! Most eBook platforms offer webbased readers or mobile apps that allow you to read eBooks on your computer, tablet, or smartphone. How do I avoid digital eye strain while reading eBooks? To prevent digital eye strain, take regular breaks, adjust the font size and background color, and ensure proper lighting while reading eBooks. What the advantage of interactive eBooks? Interactive eBooks incorporate multimedia elements, quizzes, and activities, enhancing the reader engagement and providing a more immersive learning experience. Ac Dc Switch Mode Power Supply Design Guide is one of the best book in our library for free trial. We provide copy of Ac Dc Switch Mode Power Supply Design Guide in digital format, so the resources that you find are reliable. There are also many Ebooks of related with Ac Dc Switch Mode Power Supply Design Guide. Where to download Ac Dc Switch Mode Power Supply Design Guide online for free? Are you looking for Ac Dc Switch Mode Power Supply Design Guide PDF? This is definitely going to save you time and cash in something you should think about. If you trying to find then search around for online. Without a doubt there are numerous these available and many of them have the freedom. However without doubt you receive whatever you purchase. An alternate way to get ideas is always to check another Ac Dc Switch Mode Power Supply Design Guide. This method for see exactly what may be included and adopt these ideas to your book. This site will almost certainly help you save time and effort, money and stress. If you are looking for free books then you really should consider finding to assist you try this. Several of Ac Dc Switch Mode Power Supply Design Guide are for sale to free while some are payable. If you arent sure if the books you would like to download works with for usage along with your computer, it is possible to download free trials. The free guides make it easy for someone to free access online library for download books to your device. You can get free download on free trial for lots of books categories. Our library is the biggest of these that have literally hundreds of thousands of different products

categories represented. You will also see that there are specific sites catered to different product types or categories, brands or niches related with Ac Dc Switch Mode Power Supply Design Guide. So depending on what exactly you are searching, you will be able to choose e books to suit your own need. Need to access completely for Campbell Biology Seventh Edition book? Access Ebook without any digging. And by having access to our ebook online or by storing it on your computer, you have convenient answers with Ac Dc Switch Mode Power Supply Design Guide To get started finding Ac Dc Switch Mode Power Supply Design Guide, you are right to find our website which has a comprehensive collection of books online. Our library is the biggest of these that have literally hundreds of thousands of different products represented. You will also see that there are specific sites catered to different categories or niches related with Ac Dc Switch Mode Power Supply Design Guide So depending on what exactly you are searching, you will be able to choose ebook to suit your own need. Thank you for reading Ac Dc Switch Mode Power Supply Design Guide. Maybe you have knowledge that, people have search numerous times for their favorite readings like this Ac Dc Switch Mode Power Supply Design Guide, but end up in harmful downloads. Rather than reading a good book with a cup of coffee in the afternoon, instead they juggled with some harmful bugs inside their laptop. Ac Dc Switch Mode Power Supply Design Guide is available in our book collection an online access to it is set as public so you can download it instantly. Our digital library spans in multiple locations, allowing you to get the most less latency time to download any of our books like this one. Merely said, Ac Dc Switch Mode Power Supply Design Guide is universally compatible with any devices to read.

Find Ac Dc Switch Mode Power Supply Design Guide :

snow daze the music of winter outbreak games wiki

spotlight on advanced cae

~~sql a beginners fourth edition~~

~~sociology a down to earth approach 11th edition~~

speculation as a fine art and thoughts on life

solution manual of electronic devices by floyd 8th edition

~~software engineering interview questions with answers~~

sni dedak pakan ayam

software engineering the current practice chapman hallcrc innovations in software engineering and software development series

~~sixteenth century europe expansion and conflict palgrave history of europe~~

spring in action 5th edition

spesifikasi sepeda motor jupiter mx 2006 2009

small animal orthopedics rheumatology and musculoskeletal disorders self assessment color review 2nd edition veterinary

self assessment color review series

software metrics a rigorous and practical approach third

soal teori kejuruan otomotif

Ac Dc Switch Mode Power Supply Design Guide :

amazon co jp ed rosenthal s big buds 2010 calendar □□□□ - Jan 12 2023

web dec 1 2009 amazon co jp ed rosenthal s big buds 2010 calendar rosenthal ed office products

ed rosenthal s big buds 2011 calendar amazon com be - Sep 08 2022

web select the department you want to search in

ed rosenthal s big buds calendar calendar 2010 ed - Mar 14 2023

web marijuana maven ed rosenthal brings another new cannabis calendar to the wild weed s many fans each month features a spectacular portrait by a world class photographer of a different marijuana varietal in full vibrant flower

the big book of buds ed rosenthal free download borrow - Jun 05 2022

web the big book of buds by ed rosenthal publication date 2001 topics cannabis marijuana publisher quick american archives collection inlibrary printdisabled internetarchivebooks openlibrary edition ol24912356m openlibrary work ol16008562w page number confidence 87 33 pages 238 ppi 350 related external id urn isbn

rosenthals big buds marijuana abebooks - Nov 10 2022

web ed rosenthal s big buds 2010 marijuana calendar ed rosenthal published by quick american archives 2009 isbn 10

0932551440 isbn 13 9780932551443

ed rosenthal s big buds 2010 calendar amazon com au - Oct 21 2023

web ed rosenthal s big buds 2010 calendar rosenthal ed on amazon com au free shipping on eligible orders ed rosenthal s big buds 2010 calendar

ed rosenthal s big buds 2010 marijuana calendar amazon com - Sep 20 2023

web dec 1 2009 marijuana maven ed rosenthal brings another new cannabis calendar to the wild weed s many fans each month features a spectacular portrait by a world class photographer of a different marijuana varietal in full vibrant flower

ed rosenthal s big buds 2010 calendar calendar wall calendar - May 16 2023

web amazon in buy ed rosenthal s big buds 2010 calendar book online at best prices in india on amazon in read ed rosenthal s big buds 2010 calendar book reviews author details and more at amazon in free delivery on qualified orders

ed rosenthal s big buds 2006 calendar hardcover - May 04 2022

web publisher quick amer archives 16m wal edition 9 august 2005 language english

ed rosenthal s big buds 2010 calendar calendar ed rosenthal - Apr 15 2023

web buy ed rosenthal s big buds 2010 calendar by ed rosenthal at mighty ape nz marijuana maven ed rosenthal brings another new cannabis calendar to the wild weed s many fans each month features a spectacular portrait

ed rosenthal s big buds 2010 calendar amazon co uk - Jul 18 2023

web buy ed rosenthal s big buds 2010 calendar wal by rosenthal ed isbn 9780932551443 from amazon s book store everyday low prices and free delivery on eligible orders

ed rosenthal s big buds 2011 calendar rosenthal ed - Jul 06 2022

web aug 1 2010 ed rosenthal s big buds 2011 calendar rosenthal ed on amazon com free shipping on qualifying offers ed rosenthal s big buds 2011 calendar

the big book of buds volume 3 ed rosenthal - Mar 02 2022

web big book of buds brings together a tremendous amount of information onthe plant and the newest varieties with specific descriptions on appearance ripening time and growing interspersed throughout are short engaging essays interviews with the breeders and compelling images of the plants

ed rosenthal s big buds 2011 calendar allbookstores com - Oct 09 2022

web aug 1 2010 in addition to standard holidays the calendar also highlights birthdays of celebrity tokers and significant dates in marijuana history and culture such as august 17 1968 when ziploc bags were introduced starting in september 2010 this calendar gives a full 16 months of buds

ed rosenthal s big buds 2010 calendar - Jun 17 2023

web dec 1 2009 marijuana maven ed rosenthal brings another new cannabis calendar to the wild weed s many fans each month features a spectacular portrait by a world class ph

big buds calendar ed rosenthal the guru of ganja blog - Aug 19 2023

web category big book of buds big buds calendar ed rosenthal overgrow the government 2010 big buds 16 month calendar is now available posted by angelabacca on october 28 2009 1 comment

ed rosenthal s big buds 2011 calendar amazon co uk - Aug 07 2022

web buy ed rosenthal s big buds 2011 calendar min wal by rosenthal ed isbn 9780932551924 from amazon s book store everyday low prices and free delivery on eligible orders

ed rosenthal s big buds 2010 calendar by ed rosenthal - Apr 03 2022

web ed rosenthal s big buds 2010 marijuana calendar jeff e scheetz facebook books by ed rosenthal author of marijuana

grower s handbook is your pot better for hiking or sex east bay express aa big book epub software downloads quick american archives books from

ed rosenthal s big buds 2010 calendar amazon de - Feb 13 2023

web select the department you want to search in

ed rosenthal s big buds 2010 marijuana calendar - Dec 11 2022

web marijuana maven ed rosenthal brings another new cannabis calendar to the wild weed s many fans each month features a spectacular portrait by a world class photographer of a different marijuana varietal in full vibrant flower the resins look good enough to roll up and the full plant shots are enough to make any garden grow green with envy

algebra 1ab projectile motion word problem quadratics - Mar 15 2023

web may 11 2020 in this video we learn how to solve a projectile motion problem using algebra about press copyright contact us creators advertise developers terms

quadratic problems projectile motion with videos worksheets - Jun 18 2023

web solving projectile problems with quadratic equations example a projectile is launched from a tower into the air with initial velocity of 48 feet per second its height h in feet above the ground is modeled by the function $h = 16t^2 + v_0t + 64$

quadratic projectile motion teaching resources tpt - Apr 04 2022

web this concise to the point and no prep quadratic applications lesson is a great way to teach and introduce how to use interpret quadratic equations and parabolas to solve projectile motion problems there are four examples included that provide a variety of practice

projectile motion and quadratic functions radford university - Aug 08 2022

web projectile motion and quadratic functions strand equations and inequalities functions mathematical objective s the student will be able to solve quadratic equations algebraically and graphically solve real world problems involving equations and systems of

how to solve quadratic projectile motion problems purplemath - Nov 11 2022

web a major category of quadratic equation word problems relates to what is titled rocket motion for our intended a projectile is any object that is thrown shot or drop almost always in this context the object is initially moving directly up or straight down

quadratic equation word problems examples practice expii - Jul 07 2022

web solving a projectile problem using quadratics patrick uses the following problem as an example of projectile motion larry throws a rock in the air the height h in feet above the ground of the rock is given by $h = 16t^2 + 123t + 40$ how long is the rock in the air from this equation at time $t = 0$ we gather that $h = 40$

quadratic word problems projectile motion s t s t 4 9t s - Feb 02 2022

web quadratic word problems projectile motion page 1 of 3 sections projectile motion general word problems max min problems for our purposes a projectile is any object that is thrown shot or dropped usually the object is moving straight up or straight down

quadratic word problems projectile motion worksheet - Jan 01 2022

web nov 29 2022 quadratic word problems projectile motion worksheet this quadratic worksheet will help you with quadratic equations this worksheet will teach you how to solve quadratic problems using the quadratic formula this formula is the most efficient way to solve quadratic equations

5 3 projectile motion physics openstax - Oct 10 2022

web describe the properties of projectile motion apply kinematic equations and vectors to solve problems involving projectile motion

applications with quadratics projectiles college algebra - Jan 13 2023

web interpret the solution to a quadratic equation that represents projectile motion projectile motion happens when you throw a ball into the air and it comes back down because of gravity a projectile will follow a curved path that behaves in a predictable way

solving projectile motion word problems using quadratics - Jul 19 2023

web apr 24 2020 learn how to solve projectile motion word problem using quadratics in this video math tutorial by mario s math tutoring we go through a 3 part word problem that asks us to a write an

lesson 13 application problems with quadratic equations - Aug 20 2023

web student will solve quadratics by using the quadratic formula student will apply methods to solve quadratic equations used in real world situations quadratic word problems short videos projectile word problem time and vertical height with graphing calc area word problem motion word problem business word problem skid mark problem

quadratic word problems projectile motion youtube - Sep 09 2022

web dec 28 2020 in this video we examine quadratic word problems involving motion of objects projectile motion an object if launched thrown from a particular height and w

quadratic word problems projectile motion youtube - Nov 30 2021

web sep 27 2020 subscribe 170 15k views 2 years ago all videos a ball is thrown into the air with an upward velocity of 12 ft sec the equation for the ball s height h at any time t is $h = -16t^2 + 12t + 5$

projectile motion word problems youtube - Feb 14 2023

web feb 28 2020 in this video we learn how to solve projectile motion word problems using the tools of analyzing a

quadratic function we make connections between the properties of quadratics and the various

quadratic word problems projectile motion pdf scribd - May 05 2022

web quadratic word problems projectile motion uploaded by yaw197 projectile is any object that is thrown shot or dropped a projectile is launched at 19 meters per second m s from a 58.8 meter tall platform equation for the object's height s at time t seconds after launch is $s = 4.9t^2 + 19.6t + 58.8$ where s is in meters copyright

applications of quadratic equations projectile motion - Apr 16 2023

web this section describes using quadratic equations to solve word problems involving numbers geometrical figures and motion read this section and work through the examples projectile motion

quadratic word problems part 1 stem resource finder - Dec 12 2022

web quadratic word problems part 1 students solve two problems involving the motion of projectile objects modeled using quadratic equations students graph parabolas and use the graphs to answer questions about projectile objects

quadratic word problems projectile motion youtube - Oct 30 2021

web kimberlee rickard 7 subscribers 107 views 2 years ago quadratic equation word problems projectile motion quadratic functions application of quadratic equations show more try youtube kids

quadratic word problems projectile motion free pdf guide - May 17 2023

web jan 2 2017 projectile motion describes the path that objects like rockets take when thrown or launched up into the air since projectile motion follows the path of a parabola these types of situations can be described using quadratic equations now do you see why science and math teachers love these word problems

quadratic equations word problem algebra video khan academy - Jun 06 2022

web and the quadratic formula tells us that the roots and in this case it's in terms of the variable t are going to be equal to $\frac{-b \pm \sqrt{b^2 - 4ac}}{2a}$ so if we apply it we get t

how to solve quadratic projectile motion problems purplemath - Sep 21 2023

web a major category of quadratic equation word problems relates to what is called projectile motion for our purposes a projectile is any object that is thrown shot or dropped almost always in this context the object is initially moving directly up or straight down

quadratic word problems lcsnc org - Mar 03 2022

web 1 jason jumped off a cliff into the ocean in acapulco while vacationing with some friends his height as a function of time could be modeled by the function $h(t) = 16t^2 - 16t + 480$ where t is how long did it take for jason to reach his maximum height h

les bonnes des merveilles miniatures jmsseniorking - Jul 14 2023

web les fleurs de la solitude cueillies des plus belles vies des saints qui ont habité les déserts qui ont chéri plus expressément la vie solitaire tant en l orient qu en l occident particulièrement en france

les bonsaïs des merveilles miniatures by werner m busch - Jul 02 2022

web jun 8 2023 les bonsaïs des merveilles miniatures by werner m busch les bonsaïs des merveilles miniatures by werner m busch 28 meilleures images du tableau champ de la maison cerisier nain autofertile willemse vous propose des bonsa les 87 meilleures images de boutures boutures planter 36 meilleures images du tableau bonsai en 2020

les bonsaa s des merveilles miniatures download only - Mar 10 2023

web une edition d exception le chef d oeuvre de la litterature anglaise magnifiquement illustre par les oeuvres de john tenniel la jeune alice s ennuie dans un monde qu elle trouve trop conventionnel

les bonsaa s des merveilles miniatures pdf download only - Jan 08 2023

web les bonsaa s des merveilles miniatures pdf the enigmatic realm of les bonsaa s des merveilles miniatures pdf unleashing the language is inner magic in a fast paced digital era where connections and knowledge intertwine the enigmatic realm of language reveals its inherent magic

les bonsaïs des merveilles miniatures french edition paperback - Aug 15 2023

web les bonsaïs des merveilles miniatures french edition on amazon com free shipping on qualifying offers les bonsaïs des merveilles miniatures french edition

les bonsaa s des merveilles miniatures copy qa nuevesolutions - Aug 03 2022

web les bonsaa s des merveilles miniatures is additionally useful you have remained in right site to start getting this info get the les bonsaa s des merveilles miniatures member that we have enough money here and check out the link you could buy guide les bonsaa s des merveilles miniatures or get it as soon as feasible you could quickly

les bonsaa s des merveilles miniatures pdf uniport edu - Oct 05 2022

web aug 1 2023 les bonsaa s des merveilles miniatures 1 6 downloaded from uniport edu ng on august 1 2023 by guest les bonsaa s des merveilles miniatures this is likewise one of the factors by obtaining the soft documents of this les bonsaa s des merveilles miniatures by online

les merveilles d oona paris facebook - Feb 26 2022

web les merveilles d oona paris 842 likes 2 talking about this boutique dédiée aux petits et grands jeux jeux de société jouets loisirs créatifs livres etc les merveilles d oona paris

les bonsaa s des merveilles miniatures - Dec 07 2022

web gerard s herball john gerard 1927 nouvelles de la république des lettres 1966 the visual and the visionary jeffrey f hamburger 1998 a bew interpretation of the role of the visual arts in the spiritual lives of women in late medieval monastic

communities the visual and the visionary adds a new dimension to the study of female

bon bon the mongoose gabriellas o c by bugmaser on deviantart - Mar 30 2022

web apr 18 2021 bon bon the mongoose gabriellas o c by bugmaser on deviantart shop deviation status update journal literature commission poll subscription dreamup add to favourites comment bon bon the mongoose gabriellas o c by bugmaser published apr 18 2021 8 favourites 2 comments 2 2k views image size

les bonsaïs des merveilles miniatures by werner m busch - Feb 09 2023

web bonsaïs la culture et les soins les styles japonais de mise en forme les techniques de taille et de ligature ainsi que sur l'outillage nécessaire la multiplication des espèces par semis ou bouturage plus de 25 espèces feuillus et conifères

les bonsaïs des merveilles miniatures label emmaüs - Jun 13 2023

web les bonsaïs des merveilles miniaturescultiver des bonsaïs signifie bien plus que s'occuper d'arbres miniatures il s'agit d'un art millénaire et

les 10 meilleurs musées à sénégal tripadvisor - Jan 28 2022

web par stef92120 accueil extrêmement sympathique du coup j'ai loué une chambre dans ce musée d'art À visiter sans hésiter voir les visites 3 musée mahicao 29 musées d'histoire par pacale2021 un musée à taille humaine d'une richesse incroyable

les bonsaïs des merveilles miniatures label emmaüs - May 12 2023

web les bonsaïs des merveilles miniaturescultiver des bonsaïs signifie bien plus que s'occuper d'arbres miniatures il s'agit d'un art millénaire et

les bonsaïs des merveilles miniatures label emmaüs - Apr 11 2023

web les bonsaïs des merveilles miniaturescultiver des bonsaïs signifie bien plus que s'occuper d'arbres miniatures il s'agit d'un art millénaire et

les bonsaa s des merveilles miniatures copy uniport edu - Apr 30 2022

web may 16 2023 intention to download and install the les bonsaa s des merveilles miniatures it is totally simple then previously currently we extend the member to purchase and make bargains to download and install les bonsaa s des merveilles miniatures appropriately simple advances in quaternary entomology scott elias 2009 08 18

les bonsaa s des merveilles miniatures pdf uniport edu - Jun 01 2022

web jul 8 2023 les bonsaa s des merveilles miniatures 2 7 downloaded from uniport edu ng on july 8 2023 by guest altered though all that is tedious or gross has been omitted the book contains descriptions of nearly 200 plants with details of their habitats alternative names and culinary and medical uses and is illustrated with 114 woodcuts

les bonsaïs des merveilles miniatures by werner m busch - Sep 04 2022

web maison 24 meilleures images du tableau bonzai jardin bonsas les 87 meilleures images de boutures boutures planter les 9 meilleures images de bonsai plante jardins bonsa cultiver des bonsaïs signifie bien plus que s occuper d arbres miniatures il s agit d un art millénaire et spirituel dont la patience l amour et le respect de la nature

les bonsaïs des merveilles miniatures by werner m busch - Dec 27 2021

web miniatures projets de les astuces des fleurs sont nombreuses pour favoriser la pollinisation et voici une série de 17 fleurs qui cerisier nain autofertile willemse vous propose des

les bonsaa s des merveilles miniatures - Nov 06 2022

web right here we have countless books les bonsaa s des merveilles miniatures and collections to check out we additionally meet the expense of variant types and next type of the books to browse the good enough book fiction history novel scientific research as with ease as various additional sorts of books are readily welcoming here as