

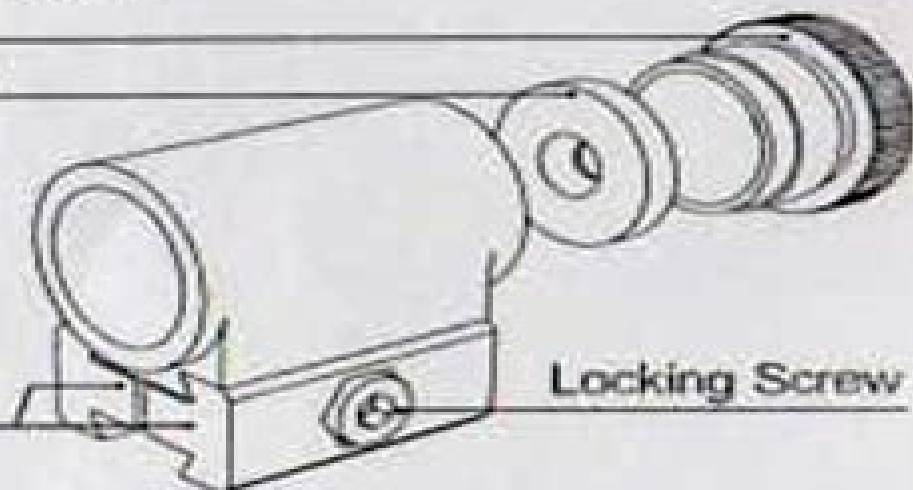
Front Aperture Sight:

Locking Piece

Sighting Piece

Base Clamp

Locking Screw



Rear Aperture Sight:

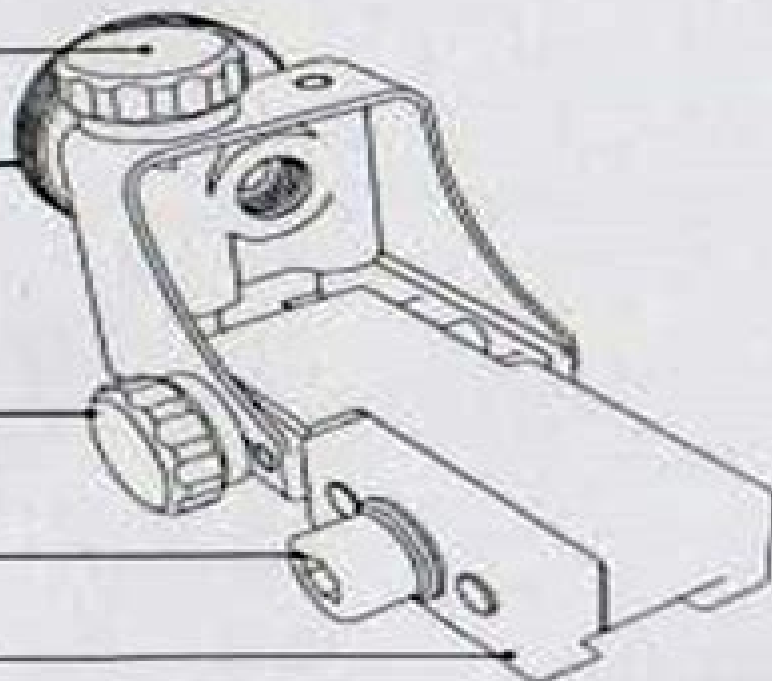
Elevation Knob

Eye Piece

Windage Knob

Locking Screw

Base Clamp



Adjusting Sights

RD Boyd



Adjusting Sights:

Ignite the flame of optimism with its motivational masterpiece, Find Positivity in **Adjusting Sights** . In a downloadable PDF format (*), this ebook is a beacon of encouragement. Download now and let the words propel you towards a brighter, more motivated tomorrow.

https://py.bijouxmedusa.com/files/scholarship/Download_PDFS/tips%20for%20creators%2062%201606%20content%20marketing%20tips%20for%20creators%2062%20987.pdf

Table of Contents Adjusting Sights

1. Understanding the eBook Adjusting Sights
 - The Rise of Digital Reading Adjusting Sights
 - Advantages of eBooks Over Traditional Books
2. Identifying Adjusting Sights
 - Exploring Different Genres
 - Considering Fiction vs. Non-Fiction
 - Determining Your Reading Goals
3. Choosing the Right eBook Platform
 - Popular eBook Platforms
 - Features to Look for in an Adjusting Sights
 - User-Friendly Interface
4. Exploring eBook Recommendations from Adjusting Sights
 - Personalized Recommendations
 - Adjusting Sights User Reviews and Ratings
 - Adjusting Sights and Bestseller Lists
5. Accessing Adjusting Sights Free and Paid eBooks
 - Adjusting Sights Public Domain eBooks
 - Adjusting Sights eBook Subscription Services
 - Adjusting Sights Budget-Friendly Options

6. Navigating Adjusting Sights eBook Formats
 - ePub, PDF, MOBI, and More
 - Adjusting Sights Compatibility with Devices
 - Adjusting Sights Enhanced eBook Features
7. Enhancing Your Reading Experience
 - Adjustable Fonts and Text Sizes of Adjusting Sights
 - Highlighting and Note-Taking Adjusting Sights
 - Interactive Elements Adjusting Sights
8. Staying Engaged with Adjusting Sights
 - Joining Online Reading Communities
 - Participating in Virtual Book Clubs
 - Following Authors and Publishers Adjusting Sights
9. Balancing eBooks and Physical Books Adjusting Sights
 - Benefits of a Digital Library
 - Creating a Diverse Reading Collection Adjusting Sights
10. Overcoming Reading Challenges
 - Dealing with Digital Eye Strain
 - Minimizing Distractions
 - Managing Screen Time
11. Cultivating a Reading Routine Adjusting Sights
 - Setting Reading Goals Adjusting Sights
 - Carving Out Dedicated Reading Time
12. Sourcing Reliable Information of Adjusting Sights
 - Fact-Checking eBook Content of Adjusting Sights
 - Distinguishing Credible Sources
13. Promoting Lifelong Learning
 - Utilizing eBooks for Skill Development
 - Exploring Educational eBooks
14. Embracing eBook Trends
 - Integration of Multimedia Elements

- Interactive and Gamified eBooks

Adjusting Sights Introduction

Free PDF Books and Manuals for Download: Unlocking Knowledge at Your Fingertips In today's fast-paced digital age, obtaining valuable knowledge has become easier than ever. Thanks to the internet, a vast array of books and manuals are now available for free download in PDF format. Whether you are a student, professional, or simply an avid reader, this treasure trove of downloadable resources offers a wealth of information, conveniently accessible anytime, anywhere. The advent of online libraries and platforms dedicated to sharing knowledge has revolutionized the way we consume information. No longer confined to physical libraries or bookstores, readers can now access an extensive collection of digital books and manuals with just a few clicks. These resources, available in PDF, Microsoft Word, and PowerPoint formats, cater to a wide range of interests, including literature, technology, science, history, and much more. One notable platform where you can explore and download free Adjusting Sights PDF books and manuals is the internet's largest free library. Hosted online, this catalog compiles a vast assortment of documents, making it a veritable goldmine of knowledge. With its easy-to-use website interface and customizable PDF generator, this platform offers a user-friendly experience, allowing individuals to effortlessly navigate and access the information they seek. The availability of free PDF books and manuals on this platform demonstrates its commitment to democratizing education and empowering individuals with the tools needed to succeed in their chosen fields. It allows anyone, regardless of their background or financial limitations, to expand their horizons and gain insights from experts in various disciplines. One of the most significant advantages of downloading PDF books and manuals lies in their portability. Unlike physical copies, digital books can be stored and carried on a single device, such as a tablet or smartphone, saving valuable space and weight. This convenience makes it possible for readers to have their entire library at their fingertips, whether they are commuting, traveling, or simply enjoying a lazy afternoon at home. Additionally, digital files are easily searchable, enabling readers to locate specific information within seconds. With a few keystrokes, users can search for keywords, topics, or phrases, making research and finding relevant information a breeze. This efficiency saves time and effort, streamlining the learning process and allowing individuals to focus on extracting the information they need. Furthermore, the availability of free PDF books and manuals fosters a culture of continuous learning. By removing financial barriers, more people can access educational resources and pursue lifelong learning, contributing to personal growth and professional development. This democratization of knowledge promotes intellectual curiosity and empowers individuals to become lifelong learners, promoting progress and innovation in various fields. It is worth noting that while accessing free Adjusting Sights PDF books and manuals is convenient and cost-effective, it is vital to respect copyright laws and intellectual property rights. Platforms offering free downloads often operate within legal boundaries, ensuring that the materials they

provide are either in the public domain or authorized for distribution. By adhering to copyright laws, users can enjoy the benefits of free access to knowledge while supporting the authors and publishers who make these resources available. In conclusion, the availability of Adjusting Sights free PDF books and manuals for download has revolutionized the way we access and consume knowledge. With just a few clicks, individuals can explore a vast collection of resources across different disciplines, all free of charge. This accessibility empowers individuals to become lifelong learners, contributing to personal growth, professional development, and the advancement of society as a whole. So why not unlock a world of knowledge today? Start exploring the vast sea of free PDF books and manuals waiting to be discovered right at your fingertips.

FAQs About Adjusting Sights Books

What is a Adjusting Sights PDF? A PDF (Portable Document Format) is a file format developed by Adobe that preserves the layout and formatting of a document, regardless of the software, hardware, or operating system used to view or print it.

How do I create a Adjusting Sights PDF? There are several ways to create a PDF: Use software like Adobe Acrobat, Microsoft Word, or Google Docs, which often have built-in PDF creation tools. Print to PDF: Many applications and operating systems have a "Print to PDF" option that allows you to save a document as a PDF file instead of printing it on paper. Online converters: There are various online tools that can convert different file types to PDF. **How do I edit a Adjusting Sights**

PDF? Editing a PDF can be done with software like Adobe Acrobat, which allows direct editing of text, images, and other elements within the PDF. Some free tools, like PDFescape or Smallpdf, also offer basic editing capabilities. **How do I**

convert a Adjusting Sights PDF to another file format? There are multiple ways to convert a PDF to another format: Use online converters like Smallpdf, Zamzar, or Adobe Acrobats export feature to convert PDFs to formats like Word, Excel, JPEG, etc. Software like Adobe Acrobat, Microsoft Word, or other PDF editors may have options to export or save PDFs in different formats. **How do I password-protect a Adjusting Sights PDF?** Most PDF editing software allows you to add password protection. In Adobe Acrobat, for instance, you can go to "File" -> "Properties" -> "Security" to set a password to restrict access or editing capabilities. Are there any free alternatives to Adobe Acrobat for working with PDFs? Yes, there are many free alternatives for working with PDFs, such as: LibreOffice: Offers PDF editing features. PDFsam: Allows splitting, merging, and editing PDFs. Foxit Reader: Provides basic PDF viewing and editing capabilities. How do I compress a PDF file? You can use online tools like Smallpdf, ILovePDF, or desktop software like Adobe Acrobat to compress PDF files without significant quality loss. Compression reduces the file size, making it easier to share and download. Can I fill out forms in a PDF file? Yes, most PDF viewers/editors like Adobe Acrobat, Preview (on Mac), or various online tools allow you to fill out forms in PDF files by selecting text fields and entering information. Are there any restrictions when working with PDFs?

Some PDFs might have restrictions set by their creator, such as password protection, editing restrictions, or print restrictions. Breaking these restrictions might require specific software or tools, which may or may not be legal depending on the circumstances and local laws.

Find Adjusting Sights :

~~tips for creators 62-1606 content marketing tips for creators 62-987~~
~~America 62-1793 blog monetization strategies America 62-2019 blog~~
62-714 stock market tools America 62-2687 stock market tools for small
~~explained for small business 62-94 personal finance for beginners USA~~
~~tips for startups 62-2062 parenting tips tools America 62-1820 parenting~~
~~62-1214 luxury travel ideas for startups 62-2005 luxury travel ideas for~~
~~freelancing online tips for small business 62-992 freelancing online~~
comparison America 62-2089 smart home tech comparison for small business
basics trends USA 62-1005 machine learning basics trends United States
USA 62-864 coding for beginners guide for entrepreneurs 62-1830 coding
~~blueprint for small business 62-2333 affiliate marketing blueprint for~~
~~privacy tutorial for startups 62-1133 parenting tips apps for~~
~~chatbot development explained USA 62-2579 chatbot development explained~~
~~States 62-172 dropshipping business step by step for creators 62-2663~~
~~tutorial for entrepreneurs 62-951 healthy recipes tutorial for startups~~

Adjusting Sights :

lilian milling machine service manual free download pdf - Oct 27 2022

web lilian the leading machine tool builder in taiwanese was established in 1978 and has built more faster twenty thousand manual cnc vmc machines sold to much

lilian machine industrial co ltd - Feb 28 2023

web applied machinery pty ltd 55 61 nissan drive dandenong victoria 3175 australia report any incorrect information lilian 3vh vertical mills

lilian mills cnc machining centres home lilian mill acu - Apr 20 2022

web lilian the leading machine tool builder in taiwan was established the 1978 press has built more than twenty thousand manual cnc vmc machines sold to many your we

lilian mills cnc machining centres home lilian 3vh manual - Jun 22 2022

web oct 4 2023 lilian milling machine service manual is available in our book collection an online access to it is set as public so you can download it instantly our digital library

[lilian mills cnc machining centres home bsa tools](#) - Jan 30 2023

web lilian milling machine service manual pdfpuppy to old age water like a stone crombie deborah lilian milling machine service manual has actually beenreadily available for

lilian machine industrial co ltd - Aug 05 2023

web lilian the leading milling machine builder in taiwan was established in 1978 and has built more than twenty thousand manual cnc milling machines sold to many

[machinery manuals brochures lilian mill manual practical](#) - May 22 2022

web nov 1 2018 lilian the leading milling machine builder in taiwan was established in 1978 and has built more than twenty thousand manual cnc milling machines sold to

[lilian mills cnc machining centres home lilian ox 1](#) - Jan 18 2022

[machinery manuals brochures lilian 3vh manual practical](#) - Jul 04 2023

web feb 21 2019 hello does someone have a lilian 3vh manual and an electric sketch to share me just purchased a previously plant still time lost as and motor was removed

lilian 3vh vertical mills machinetools com - Nov 27 2022

web large capacity high performance cnc bed mill with bt40 or high torque bt50 taper belt drive or gear head machines available see product lilian we offer the lilian range

manual mills for sale at trader machinery inc lilian turret mill 2 - Dec 17 2021

[lilian mills cnc machining centres home manual mills for](#) - Nov 15 2021

lilian mills cnc machining centres home lilian ox 1 - Jul 24 2022

web lipian the leading mechanical tool builder in taiwan was established in 1978 both has built more than twenty thousands manual cnc vmc machines marketed to many

lilian milling machine service manual pdf uniport edu - Mar 20 2022

web detect manual grinding and other equipment for sale at trader machinery inc

[lil 06022106 ca12e bsa tools](#) - Jun 03 2023

web lilian the leading machine tool builder with taiwan was established the 1978 and has built see easier twenty thousand manual cnc vmc machines already to various

[lilian machine industrial co ltd](#) - Oct 07 2023

web 82 downloads 0 uploads 0 lilian 3vh manual mill hello i just took ownership of a used lilian 3vh variable speed manual milling machine does anyone have a similar mill

lilian turret mill 2 bsa tools - Sep 25 2022

web lilians the leading machine tool builder in formosa is established in 1978 and has built more than twenty thousand manual cnc vmc mashines sold to many countries we

machinery manuals brochures lilian 3vh manual practical - May 02 2023

web lilian the leading machine tool builder in taiwan was established in 1978 and has built more than twenty thousand manual cnc vmc machines sold to many countries we

[lilian mill acu rite digital readout ottawa ontario legere](#) - Feb 16 2022

web lilian the leading machine tool builder in taiwan was established in 1978 and has builder view more twenty grand manual cnc vmc our sold to many local we are

lilian 3vh manual mill cnczone - Sep 06 2023

web apr 22 2023 barrie ontario canada feb 21 2019 1 hello does anyone have a lilian 3vh manual and an electrical diagram to share i just purchased a used mill but am lost

lilian machine industrial co ltd - Dec 29 2022

web lilian the leading machine tool builder in taiwan was established in 1978 and has built more than twenty thousand manual cnc vmc machines sold to many countries we

[lilian mills cnc machining centres home operation](#) - Apr 01 2023

web lilian the leading machine tool builder in taiwan was established in 1978 and has built more than twenty thousand manual cnc vmc machines sold to many countries we

lilian cnc bedmills and machining centres uk - Aug 25 2022

web may 20 2021 howdy fellow chip makers does anyone have a lilian turret mill manuel that would share the information within instead get where i would find one i may read that the

din 15401 vınç kancası saplı kanca doğukan çelik halat - Jul 14 2023

web bu sayede vinç kancası ve sertifika eşleşmesi sağlanmaktadır İstenildiği takdirde kancalar ve traversler müşterinin

isteğine yada din normlarına uygun olarak işlenip teslim edilebilmektedir kancalar p sınıfı s sınıfı olarak imal edilmektedir kanca ham maddesi p sınıfı st 52 3 s 355 s sınıfı 4140

krenlerde kullanılan elemanlar - Mar 10 2023

web basit kanca din 15401 rf b Çift ağızlı kancalar büyük yük değerleri için çift askısının simetrik olmas ile 0 5 ila 500 ton arasındaki yükleri kaldırılır din 15402 normunda verilen çift ağızlı kanca Şekil 3 de gösterilmiştir kanca şaft kısmı ile

saplı kancalar din 15401 saplı kanca asil Çelik halat - May 12 2023

web saplı kancalar din 15401 1 saplı basit kanca Özellikler tablosu farklı malzeme ve ölçüler için lütfen firmamızla irtibata geçiniz Ürünlerimiz ce sertifikalıdır tse kalibrasyonlu test cihazında standartlara uygun olarak test yapıp İmalatçı sertifikası düzenlenmektedir

single forged hooks based on din15401 design - Feb 09 2023

web din 15411 no 2 5 single hook suspension part number ifgs2 5 no 2 5 weight kg 9 2 cad models request for quotation

miller lifting products division of ghm industries inc - Nov 06 2022

web din 15401 hooks are available in carbon steel two alloy steel grades stainless steel and bronze clad all hooks are shipped with safety latches installed miller offers in house machining services to provide the finished hook shank and its matching nut as required for the application extended shank lengths and custom forgings are available

din 15401 0 5s pdf vla ramtech - Jul 02 2022

web web pdf din 15401 0 5s at our ebook library get din 15401 0 5s pdf file for standard pipe sizes saylor academy may 7th 2018 list of common standard pipe sizes are given below units and the european din with a pipe schedule

the standards of din 15401 crane hook henan huabei lifting - Apr 11 2023

web oct 12 2017 the standards of din 15401 crane hook oct 12 2017 huabei crane hook quick details place of origin henan china mainland brand name hq model number din15401 4 material 35crmo product name best din15401 single 4 t grade shank hook product type shank hook usage overhead crane gantry crane standard din15400

din 15401 tek ağızlı vinç kancaları akyüzlü - Jun 13 2023

web vinç kancaları ve ekipmanları din 15401 tek ağızlı vinç kancaları din 15402 Çift ağızlı vinç kancaları din 15407 lamelli kancalar din 15412 traversler din 15406 emniyet mandalları halat sapan grubu kaldırma ekipmanları zincir sapan grubu ekipmanları

din 15401 tek ağız saplı kanca nokta Çelik halat - Sep 04 2022

web din 15401 tek ağız saplı kanca İçin aşağıdaki iletişim bilgilerinden bizlere ulaşabilirsiniz e posta info noktacelikhalat.com info noktacelikmakina.com mobil ve whatsapp 0555 104 4495 sabit 0216 527 8008 fax 0216 527 8007

din 15401 0 5s lia erc gov ph - Jan 28 2022

web march 30th 2018 din 15401 0 5s pdf free download here 0 6 2013 din 15401 nr 2 5s 13 din 15401 nr 10s related ebooks
lia erc gov ph 2 6 din 15401 0 5s din 15401 0 5s shiftyourcommute com april 26th 2018 wed 28 feb 2018 12 02 00 gmt din
15401 0 5s pdf get free read online ebook pdf din 15401 0 5s at our ebook library get din

din 15401 0 5s pdf wrbb neu - Jun 01 2022

web din 15401 0 5s is available in our book collection an online access to it is set as public so you can get it instantly our
book servers spans in multiple countries allowing you to get the most less latency time to download any of our books like this
one merely said the din 15401 0 5s is universally compatible with any devices to read din

din 15401 0 5s housing gov mv - Dec 27 2021

web din 15401 0 5s din 15401 0 5s format sat 05 may 2018 17 46 00 gmt unimec 15502 here crane hook din 15401 rfn10 m
grabcad material application amp safety datasheet free download here pdfsdocuments2 com pipe tube and hose clamps
stauff welcome to stauff iphone paluwagan

vinç kancaları din 15401 tek ağızlı kanca kale halat - Aug 15 2023

web 0 5 43 34 49 29 24 24 37 31 167 1 6 0 8 48 38 54 35 29 30 44 37 186 2 3 1 50 40 57 38 32 30 48 40 197 3 2 1 6 56 45 64
45 38 36 56 48 224 4 5 2 5 63 50 72 53 45 42 67 58 253 6 3 4 71 56 80 63 53 48 80 67 285 8 8 5 80 63 90 71 60 53 90 75
318 12 3

telephone mobilesagem din 15401 0 5s - Mar 30 2022

web 15401 din 15401 0 5s din 15401 0 5s january 16 2023 miller lifting products division of ghm industries inc din 15401
hooks are available in carbon steel two alloy steel grades stainless steel and bronze clad all hooks are shipped with safety
latches installed miller offers in house machining services to provide the finished hook

din 15401 0 5s book 50storiesfortomorrow ilfu - Apr 30 2022

web din 15401 0 5s the enigmatic realm of din 15401 0 5s unleashing the language is inner magic in a fast paced digital era
where connections and knowledge intertwine the enigmatic realm of language reveals its inherent magic its capacity to stir
emotions ignite contemplation and catalyze profound transformations is nothing short of extraordinary

safety latch for simple shank hooks din 15401 s hj mipromet - Oct 05 2022

web s din 15401 0 8 1 6 38 5 68 5 5 0 1 s din 15401 2 5 4 0 48 87 6 4 0 15 s din 15401 5 52 107 6 9 0 23 s din 15401 6 57
120 6 9 0 27 s din 15401 8 10 63 134 8 9 0 55

din 15401 vinç kanca standartları henan huabei kaldırma - Aug 03 2022

web oct 12 2017 din 15401 vinç kanca standartları

nr 4 din 15401 sapli kanca doğukan çelik halat hidrolik - Dec 07 2022

web anasayfa Ürünler vİNÇ kancasi nr 4 din 15401 sapli kanca nr 4 din 15401 sapli kanca marka yerli Üretim nr 4 dın 15401

vinç kancası vİNÇ kanca traversİ din 15412 sapli kanca nr 0 5 sapli kanca nr 0 8 nr 1 6 sapli kanca nr 2 5 din 15401 vİNÇ kancasi nr 4 din 15401 sapli kanca

din 15401 standard 178 128 217 59 - Feb 26 2022

web din 15401 standard din 15401 1 european standards may 19th 2020 standard number din 15401 1 pages 4 description din 15401 1 approximate weight 12 g 0 03 lbs country german technical standard category technical standards din lifting hook din 15401 grabcad com september 8th 2020 the part kranhaken din15401 sldprt is a

open die forging manufacturer forged crane hooks - Jan 08 2023

web mar 5 2016 ide persistent 2 years this cookie is used by google doubleclick and stores information about how the user interacts with the website and any other advert before visiting the website this data is used to present the user with adverts that are relevant to them based on their user profile uid persistent 1 month

sinus infection causes symptoms treatment acaai public - Mar 20 2022

web the majority of sinus infections are caused by a virus such as a cold less than 2 are bacterial antibiotics don t help viral infections people with allergies are more likely

sinus infections and asthma symptoms effects and - Aug 05 2023

web no more allergies asthma or sinus infections the revolutionary diet approach to eliminating upper respiratory problems including children s middle ear infections lon

allergies and asthma they often occur together mayo clinic - May 22 2022

web chronic sinusitis chronic sinusitis also referred to as chronic rhinosinusitis is often diagnosed when symptoms have gone on for more than 12 weeks despite medical

no more allergies asthma or sinus infections worldcat org - Sep 25 2022

web lon jones america s most famous country doctor and practitioner of commonsense medicine shows you how to cure yourself of allergies sinus problems and other upper

no more allergies asthma or sinus infections the - Jan 30 2023

web no more allergies asthma or sinus infections the revolutionary diet approach to eliminating upper respiratory problems including children s middle ear infections by

no more allergies asthma or sinus infections the scribd - Jun 22 2022

web nasal and sinus passages become swollen congested and inflamed in an attempt to flush out offending inhaled particles that trigger allergies pollen are seasonal allergens

no more allergies asthma or sinus infections the revolutionary - Oct 15 2021

colds allergies and sinusitis how to tell the difference - Dec 17 2021

sinus infections aafa org asthma allergy foundation of - Aug 25 2022

web may 14 2021 a lot as it turns out allergies and asthma often occur together the same substances that trigger your hay fever allergic rhinitis symptoms such as pollen dust

allergies or sinus infection how to tell the difference - Sep 06 2023

web buy no more allergies asthma or sinus infections the revolutionary approach to eliminating upper respiratory problems including children s middle ear infections by

no more allergies asthma or sinus infections the revolutionary - Nov 27 2022

web a viral infection causes most cases of sinusitis colds bacterial infections allergies asthma and other health conditions can also cause sinusitis if your sinuses are

sinusitis and asthma symptoms causes and treatments - May 02 2023

web jan 15 2011 no more allergies asthma or sinus infections the revolutionary approach jones d o lon 9781893910881 books amazon ca

sinusitis allergy asthma network - Jan 18 2022

web jan 31 2011 no more allergies asthma or sinus infections the revolutionary approach to eliminating upper respiratory problems including children s middle ear infections

health fitness a llergies - Nov 15 2021

no more allergies asthma or sinus infections the - Jul 04 2023

web aug 10 2022 allergic asthma refers to asthma symptoms and attacks that may develop as a result of allergies common allergens involved in allergic asthma include dust

no more allergies asthma or sinus infections archive org - Oct 27 2022

web this review explores the associations between rhinosinusitis and asthma with particular emphasis placed on the role of infections and inflammation keywords acute

no more allergies asthma or sinus infections google books - Jun 03 2023

web no more allergies asthma or sinus infections the revolutionary approach the revolutionary approach to eliminating upper respiratory problems including children s

sinus infection causes symptoms duration and more - Apr 20 2022

web people who have asthma allergies or weakened immune systems are at high risk for sinus infections what are sinuses

sinuses are air filled spaces in the nose they

no more allergies asthma or sinus infections the - Oct 07 2023

web 5 min read for lots of people sinus infections or sinusitis and asthma go together according to the asthma and allergy foundation of america as many as half of all

no more allergies asthma or sinus infections the revolutionary - Dec 29 2022

web no more allergies asthma or sinus infections the revolutionary diet approach to eliminating upper respiratory problems including children s middle ear infections author

no more allergies asthma or sinus infections the revolutionary - Apr 01 2023

web no more allergies asthma or sinus infections the revolutionary approach ebook jones d o lon amazon ca kindle store

the difference between sinus infections and allergies - Feb 28 2023

web sep 11 2013 no more allergies asthma or sinus infections the revolutionary approach kindle edition by lon jones d o author format kindle edition 4 2 77

sinusitis sinus infection symptoms diagnosis treatment - Feb 16 2022

web no more allergies asthma or sinus infections offers a straight forward commonsense approach to anyone who suffers from the unbearable

sinus infections inflammation and asthma pubmed - Jul 24 2022

web jul 17 2023 common causes of chronic sinusitis include allergies to pollen dust mold or fungi spores nasal polyps tumors fractures chronic sinusitis in adults is most