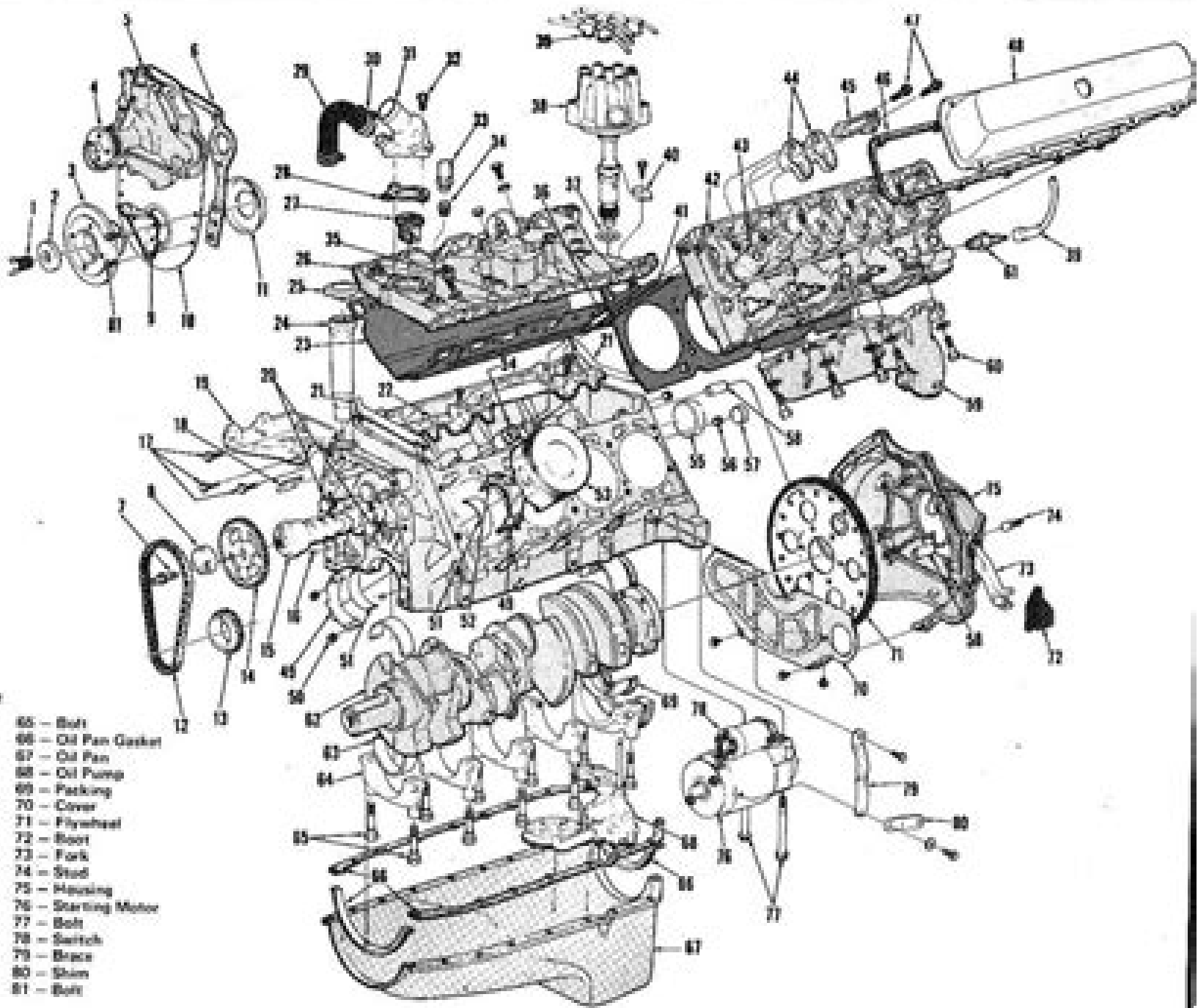


- 1 - Ballbearing
- 4 - Nut
- 5 - Water Pump
- 6 - Gasket
- 7 - Bolt
- 8 - Eccentric
- 9 - Indicator
- 10 - Cover
- 11 - Slinger
- 12 - Timing Chain
- 13 - Gear, Crankshaft
- 14 - Gear, Camshaft
- 15 - Camshaft
- 16 - Pin
- 17 - Bolt
- 18 - Nut
- 19 - Bracket
- 20 - Plug
- 21 - Seal
- 22 - Nut
- 23 - Gasket
- 24 - Tube
- 25 - Cap
- 26 - Intake Manifold
- 27 - Thermostat
- 28 - Gasket
- 29 - Hose
- 30 - Clamp
- 31 - Outlet
- 32 - Bolt
- 33 - Switch
- 34 - Plug
- 35 - Bolt
- 36 - Push Rod
- 37 - Gasket
- 38 - Distributor
- 39 - Wire
- 40 - Clamp
- 41 - Head Gasket
- 42 - Head
- 43 - Spring
- 44 - Rocker Arm
- 45 - Push Rod Pin
- 46 - Valve Cover Gasket
- 47 - Bolt
- 48 - Cover
- 49 - Connecting Rod
- 50 - Nut
- 51 - Bearing
- 52 - Bolt
- 53 - Piston & Pin
- 54 - Valve Lifter
- 55 - Plug
- 56 - Plug
- 57 - Plug
- 58 - Pin
- 59 - Exhaust Manifold
- 60 - Bolt
- 61 - Spark Plug
- 62 - Crankshaft
- 63 - Bearing
- 64 - Cap
- 65 - Bolt
- 66 - Oil Pan Gasket
- 67 - Oil Pan
- 68 - Oil Pump
- 69 - Packing
- 70 - Cover
- 71 - Flywheel
- 72 - Bolt
- 73 - Fork
- 74 - Stud
- 75 - Housing
- 76 - Starting Motor
- 77 - Bolt
- 78 - Switch
- 79 - Brace
- 80 - Shim
- 81 - Bolt



# Defender V8 Engine Diagram

**Tom Monroe**



## **Defender V8 Engine Diagram:**

**Autocar** ,2002      **F & S Index Europe Annual** ,1995      *Popular Science* ,2002-12 Popular Science gives our readers the information and tools to improve their technology and their world The core belief that Popular Science and our readers share The future is going to be better and science and technology are the driving forces that will help make it better      *How to Rebuild Ford V-8 Engines* Tom Monroe,1993-01-19 If you have one of the 351C 351M 400 429 or 460 Ford V8s this comprehensive book is a must It walks you through a complete engine rebuild step by step with minimum use of special tools Save money by finding out if your engine really needs rebuilding or just simple and inexpensive maintenance Results from diagnosis outlines in this book should be your guide not the odometer All rebuilding steps are illustrated from beginning to end How to inspect parts of damage and wear and to recondition each part yourself to get the job done right The most complete source of information identifying major engine parts Casting numbers parts description when a part was used and how it can be interchanged is fully covered in the text in 20 tables and in 560 photos or drawings This book will make you an expert      *The Complete Ford Flathead V8 Engine Manual* Ron Ceridono,2000-12-27 Highlights all models from 1932 to 1953 Comprehensive details on restoration to original and modifications for hot rodding and high performance use This is the most thorough book about Ford s famous flatmotor Get the straight scoop on cooling carburetion and ignition from technical guru Ron Ceridono Softbound 8 1 2 x 11 202 pages 352 b w illustrations 19 diagrams

Yeah, reviewing a ebook **Defender V8 Engine Diagram** could mount up your close connections listings. This is just one of the solutions for you to be successful. As understood, talent does not suggest that you have wonderful points.

Comprehending as capably as deal even more than other will have the funds for each success. adjacent to, the broadcast as well as perception of this Defender V8 Engine Diagram can be taken as well as picked to act.

[https://py.bijouxmedusa.com/About/publication/HomePages/finance\\_accounting\\_intec.pdf](https://py.bijouxmedusa.com/About/publication/HomePages/finance_accounting_intec.pdf)

## **Table of Contents Defender V8 Engine Diagram**

1. Understanding the eBook Defender V8 Engine Diagram
  - The Rise of Digital Reading Defender V8 Engine Diagram
  - Advantages of eBooks Over Traditional Books
2. Identifying Defender V8 Engine Diagram
  - Exploring Different Genres
  - Considering Fiction vs. Non-Fiction
  - Determining Your Reading Goals
3. Choosing the Right eBook Platform
  - Popular eBook Platforms
  - Features to Look for in an Defender V8 Engine Diagram
  - User-Friendly Interface
4. Exploring eBook Recommendations from Defender V8 Engine Diagram
  - Personalized Recommendations
  - Defender V8 Engine Diagram User Reviews and Ratings
  - Defender V8 Engine Diagram and Bestseller Lists
5. Accessing Defender V8 Engine Diagram Free and Paid eBooks
  - Defender V8 Engine Diagram Public Domain eBooks
  - Defender V8 Engine Diagram eBook Subscription Services

- Defender V8 Engine Diagram Budget-Friendly Options
- 6. Navigating Defender V8 Engine Diagram eBook Formats
  - ePub, PDF, MOBI, and More
  - Defender V8 Engine Diagram Compatibility with Devices
  - Defender V8 Engine Diagram Enhanced eBook Features
- 7. Enhancing Your Reading Experience
  - Adjustable Fonts and Text Sizes of Defender V8 Engine Diagram
  - Highlighting and Note-Taking Defender V8 Engine Diagram
  - Interactive Elements Defender V8 Engine Diagram
- 8. Staying Engaged with Defender V8 Engine Diagram
  - Joining Online Reading Communities
  - Participating in Virtual Book Clubs
  - Following Authors and Publishers Defender V8 Engine Diagram
- 9. Balancing eBooks and Physical Books Defender V8 Engine Diagram
  - Benefits of a Digital Library
  - Creating a Diverse Reading Collection Defender V8 Engine Diagram
- 10. Overcoming Reading Challenges
  - Dealing with Digital Eye Strain
  - Minimizing Distractions
  - Managing Screen Time
- 11. Cultivating a Reading Routine Defender V8 Engine Diagram
  - Setting Reading Goals Defender V8 Engine Diagram
  - Carving Out Dedicated Reading Time
- 12. Sourcing Reliable Information of Defender V8 Engine Diagram
  - Fact-Checking eBook Content of Defender V8 Engine Diagram
  - Distinguishing Credible Sources
- 13. Promoting Lifelong Learning
  - Utilizing eBooks for Skill Development
  - Exploring Educational eBooks
- 14. Embracing eBook Trends

- Integration of Multimedia Elements
- Interactive and Gamified eBooks

### **Defender V8 Engine Diagram Introduction**

Defender V8 Engine Diagram Offers over 60,000 free eBooks, including many classics that are in the public domain. Open Library: Provides access to over 1 million free eBooks, including classic literature and contemporary works. Defender V8 Engine Diagram Offers a vast collection of books, some of which are available for free as PDF downloads, particularly older books in the public domain. Defender V8 Engine Diagram : This website hosts a vast collection of scientific articles, books, and textbooks. While it operates in a legal gray area due to copyright issues, its a popular resource for finding various publications. Internet Archive for Defender V8 Engine Diagram : Has an extensive collection of digital content, including books, articles, videos, and more. It has a massive library of free downloadable books. Free-eBooks Defender V8 Engine Diagram Offers a diverse range of free eBooks across various genres. Defender V8 Engine Diagram Focuses mainly on educational books, textbooks, and business books. It offers free PDF downloads for educational purposes. Defender V8 Engine Diagram Provides a large selection of free eBooks in different genres, which are available for download in various formats, including PDF. Finding specific Defender V8 Engine Diagram, especially related to Defender V8 Engine Diagram, might be challenging as theyre often artistic creations rather than practical blueprints. However, you can explore the following steps to search for or create your own Online Searches: Look for websites, forums, or blogs dedicated to Defender V8 Engine Diagram, Sometimes enthusiasts share their designs or concepts in PDF format. Books and Magazines Some Defender V8 Engine Diagram books or magazines might include. Look for these in online stores or libraries. Remember that while Defender V8 Engine Diagram, sharing copyrighted material without permission is not legal. Always ensure youre either creating your own or obtaining them from legitimate sources that allow sharing and downloading. Library Check if your local library offers eBook lending services. Many libraries have digital catalogs where you can borrow Defender V8 Engine Diagram eBooks for free, including popular titles. Online Retailers: Websites like Amazon, Google Books, or Apple Books often sell eBooks. Sometimes, authors or publishers offer promotions or free periods for certain books. Authors Website Occasionally, authors provide excerpts or short stories for free on their websites. While this might not be the Defender V8 Engine Diagram full book , it can give you a taste of the authors writing style. Subscription Services Platforms like Kindle Unlimited or Scribd offer subscription-based access to a wide range of Defender V8 Engine Diagram eBooks, including some popular titles.

### FAQs About Defender V8 Engine Diagram Books

How do I know which eBook platform is the best for me? Finding the best eBook platform depends on your reading preferences and device compatibility. Research different platforms, read user reviews, and explore their features before making a choice. Are free eBooks of good quality? Yes, many reputable platforms offer high-quality free eBooks, including classics and public domain works. However, make sure to verify the source to ensure the eBook credibility. Can I read eBooks without an eReader? Absolutely! Most eBook platforms offer web-based readers or mobile apps that allow you to read eBooks on your computer, tablet, or smartphone. How do I avoid digital eye strain while reading eBooks? To prevent digital eye strain, take regular breaks, adjust the font size and background color, and ensure proper lighting while reading eBooks. What the advantage of interactive eBooks? Interactive eBooks incorporate multimedia elements, quizzes, and activities, enhancing the reader engagement and providing a more immersive learning experience. Defender V8 Engine Diagram is one of the best book in our library for free trial. We provide copy of Defender V8 Engine Diagram in digital format, so the resources that you find are reliable. There are also many Ebooks of related with Defender V8 Engine Diagram. Where to download Defender V8 Engine Diagram online for free? Are you looking for Defender V8 Engine Diagram PDF? This is definitely going to save you time and cash in something you should think about.

### Find Defender V8 Engine Diagram :

[finance accounting intec](#)

**foto korban pemerkosaan 1998**

[football finishing drills](#)

**financial management carlos correia 7th edition**

**flat rate manual for auto engine repair**

*ford explorer 4 0 sohc v6*

[ford 555a service](#)

[formations of class gender by beverley skeggs](#)

[finite element procedures bathe solution manual essda](#)

*ford 1 8 tdei engine diagram*

**fluid power engineering mahajan publication**

**formal and informal letters**

[forex for ambitious beginners](#)

[fce practice tests with answers](#)

[feel the fear and do it anyway susan jeffers pdf](#)

### **Defender V8 Engine Diagram :**

*arjo bath tub service manual bespoke cityam* - Feb 12 2022

**bathing solutions medical bath systems arjo** - Aug 01 2023

web oct 13 2021 pressure injury prevention arjo empowers you with the ability to elevate the pressure injury prevention pathway in your care environment equipping you with the

**arjo century bath tub service manual acbtm 18 6** - Oct 23 2022

web fully integrated and ergonomic solution with a range of different tub shapes and lengths system 2000 offers flexibility to choose the right bath for your patient or resident all

**arjo system 2000 series instructions for use manual** - Sep 02 2023

web product specifications get a quote contact an arjo expert videos downloads freedom bath is designed for residents who are able to access the tub independently or with

**arjo century bath tub service manual full pdf stage gapinc** - May 18 2022

**assembly and installation instructions arjo** - Jun 18 2022

web the bath system is equipped with an auto fill function which fills the bathtub to a preset water level for adjustments or assistance call your arjo service department 1 to start

*arjohuntleigh malibu instructions for use manual* - Jul 20 2022

web mar 20 2023 parker bath user manual browse arjo parker tub manual parker products oem350x owner s guide

instruction manual parker products oem350x owner s

[arjo bath systems parts list archive org](#) - Jun 30 2023

web assisted bathing with parker height adjustable sitting and reclining medical bathing solution safe and secure find out more at arjo

**arjohuntleigh century instructions for use manual** - May 30 2023

web we have 3 arjo 2000 rhapsody manuals available for free pdf download instructions for use manual quick reference manual arjo 2000 rhapsody instructions for use

**century arjo** - Dec 13 2021

**bathing solutions medical bath systems arjo** - Aug 21 2022

web general this item includes 2 units as described below arjo rhapsody primo p200 bath tub made in sweden rhapsody tubs from arjohuntleigh are not only height adjustable

*system 2000 assisted bathing solutions qbank arjo com* - Apr 16 2022

*freedom bath bathing solution arjo* - Mar 28 2023

web view and download arjohuntleigh alenti instructions for use manual online lift and hygiene chair alenti medical equipment pdf manual download

*arjo 2000 rhapsody manuals manualslib* - Nov 23 2022

web 4 arjo century bath tub service manual 2022 04 18 and practices the book describes ways in which the agency for healthcare research and quality ahrq the u s food

**century bathing solution arjo** - Apr 28 2023

web download full version pdf for arjo century bath tub service manual using the link below download arjo century bath tub service manual pdf the writers of arjo

*arjohuntleigh alenti instructions for use manual* - Sep 21 2022

web 9 for disinfection spray handle only direct the disinfectant spray towards the bottom of the bathtub and press the disinfection button on the control panel 10 for disinfection spray

quick reference guide cleaning and disinfection - Mar 16 2022

**global supplier of medical devices medical solutions arjo** - Jan 26 2023

web view and download arjohuntleigh malibu instructions for use manual online malibu medical equipment pdf manual download also for sovereign

*rhapsody primo and harmonie assisted bathing* - Feb 24 2023

web bath systems our bathing solutions are fully integrated with a wide range of mobility and lifting aids allowing you to transport residents and patients from bed or wheelchair into

*arjo parker bath user manual united states manuals step by* - Jan 14 2022

parker assisted bathing solutions for medical use arjo - Dec 25 2022

web prior to moving the bath into its final position check water service stop and mixing valves lines spout etc house drain system ready for hook up provision is made for

[arjo parker instructions for use manual](#) - Oct 03 2023

web the bath system is equipped with an auto fill function which fills the bathtub to a preset water level for adjustments or assistance call your arjohuntleigh service

**felt pizza kids activity free printable pizza templates** - Oct 08 2022

web this project includes a printable template for the pizza toppings and a printable for the pizza slice have fun cutting the project from felt for a toddler craft or if the kids are old enough let them cut it themselves play learn and have fun making a felt pizza you might be looking for crafts for kids and activities to do with the kids

*get the free blank pizza slice template form pdffiller* - Mar 01 2022

web fill blank pizza slice template edit online sign fax and printable from pc ipad tablet or mobile with pdffiller instantly try now

*pizza slice box template etsy* - Jan 31 2022

web pizza box template slice box pissa blank template cake box template cricut silhouette silhouette studio paper size letter 3k 3 00 triangle box template triangle gift box cake slice box pizza slice box pizza

*free printable pizza slice shaped writing templates* - May 03 2022

web pizza slice shaped templates description our writing templates include four different versions of each design wide ruled lines page 1 college ruled lines page 2 handwriting lines page 3 blank template page 4 each template is a

**make a pizza printable pizza toppings cutouts mrs merry** - Aug 18 2023

web nov 5 2019 make a pizza or two with our build a pizza template this project contains 5 pages containing 10 different toppings to make anything from a hawaiian style pizza to an everything pizza print this out for your kids and let them spend hours playing restaurant with this pizza building kit

*slice of pizza templates free graphic design template* - Mar 13 2023

web edit and download slice of pizza design templates free vistacreate choose and customize graphic templates online modern and awesome templates create animated graphics instagram posts posters facebook posts logo maker flyers youtube thumbnails brochure maker invitations youtube intro maker youtube channel art

**results for blank pizza slice tpt** - Jul 05 2022

web to use 1 print the pages with the pizzas on them to use on cookie sheet cut the pizza without numbers into 6 slices print the pages with pizza toppings cut out and put magnets on the back 2 count the number of pepperoni slices on each piece of pizza match each slice with the correct number on the whole pizza

**pizza slice mockup vectors illustrations for free download** - Jun 04 2022

web find download the most popular pizza slice mockup vectors on freepik free for commercial use high quality images made

for creative projects

[cultural lesson for kids printable pizza slice familyeducation](#) - Apr 02 2022

web culture pizza slice before you start making your wheel read the instructions then print this slice 10 times cut out the wedges and paste them together to make a poster size culture pizza download now download now

[pizza templates to decorate and colour](#) - Sep 07 2022

web three pizza templates blank to draw or glue on your own ingredients or ready made to colour click image for the full size template click image for the full size template click image for the full size template related skills fine motor language

[pizza slice psd 2 000 high quality free psd templates for](#) - Feb 12 2023

web you can find download the most popular pizza slice psd on freepik made for creative people like you

**free and customizable pizza templates canva** - Jun 16 2023

web pizza templates browse our free templates for pizza designs you can easily customize and share skip to end of list all filters skip to start of list 10 241 templates rs black abstract pizza poster doodle document by radiyah studio

[printable blank pizza slice template realtec](#) - Oct 28 2021

web printable blank pizza slice template find and download printable blank pizza slice template image wallpaper and background for your iphone android or pc desktop realtec have about 37 image published on this page

[blank pizza template printable pizza craft for kids](#) - Sep 19 2023

web jan 4 2021 introducing a new freebie the printable pizza craft for kids let your kids make their own pizzas using these handy pizza template and paper toppings there are ten different pizza templates to choose from allowing your child to design the pizza of their dreams pizza templates each printable pizza template has been saved as a large

[pizza templates free graphic design template vistacreate](#) - Dec 30 2021

web edit and download pizza design templates free vistacreate choose and customize graphic templates online modern and awesome templates

[80 pizza slices customizable design templates postermyswall](#) - Aug 06 2022

web create free pizza slices flyers posters social media graphics and videos in minutes choose from 80 eye catching templates to wow your audience

**14 pizza box templates doc pdf** - Nov 28 2021

web you can actually download and use pizza box template for free to create as many pizza boxes as you would like to create the rectangle box template make the best pizza boxes because they are larger in size which means the pizza is going to fit in well

**pizza slice template teaching resources tpt** - Nov 09 2022

web browse pizza slice template resources on teachers pay teachers a marketplace trusted by millions of teachers for original educational resources

**blank pizza template printable pizza craft for kids pinterest** - Apr 14 2023

web blank pizza template printable pizza craft for kids tim s printables pizza template and a printable pizza craft for kids let your kids and students decorate their own pizza using this paper pizza template and pizza toppings

*printable pizza slice template* - May 15 2023

web pattern bundle browse patterns browse categories more printables patterns pizza slice pattern get all 1 475 patterns every pattern on our site is available in a convenient bundle starting at only 19 99 the bundle includes pdf and transparent png 300 dpi versions of

*get the free blank pizza slice template form pdfiller* - Jul 17 2023

web a blank pizza slice template is a printable or digital image that depicts a single slice of pizza without any toppings or colors it is usually used as a stencil or guide for creating customized pizza designs or illustrations

**300 free pizza slice pizza images pixabay** - Dec 10 2022

web 363 free images of pizza slice find your perfect pizza slice image free pictures to download and use in your next project royalty free images pizza plate food pizza slices pizza food fast food cheese crust delicious pizza food slice pizza basil olives food snack meat pizza slice of pizza american bacon bread

[pizza slice images free download on freepik](#) - Jan 11 2023

web pizza slice images images 96 82k collections 18 ads ads ads page 1 of 200 find download free graphic resources for pizza slice 96 000 vectors stock photos psd files free for commercial use high quality images freepik

**dominar l ortografia quadern de l alumnat redueix les teves** - May 02 2023

web dominar l ortografia quadern de l alumnat redueix les teves faltes fins a un 80 gabarró berbegal daniel amazon es libros

**dominar l ortografia quadern de l alumnat redueix germà** - Feb 16 2022

web dominar l ortografia quadern de l alumnat redueix in some cases you likewise complete not discover the declaration dominar l ortografia quadern de l alumnat redueix that you are looking for it will definitely squander the time however below like you visit this web page it will be in view of that totally simple to get as capably as

**dominar l ortografia quadern de l alumnat redueix michel** - May 22 2022

web feb 20 2023 virus inside their computer dominar l ortografia quadern de l alumnat redueix is available in our digital library an online access to it is set as public suitably you can download it instantly our digital library saves in fused countries allowing you to acquire the most less latency era to download any of our books next this one merely said

**aprender a dominar la ortografía el aula de papel oxford** - Apr 20 2022

web para dominar un idioma hay que controlar la ortografía y esto se consigue aprendiendo sus normas y haciendo muchos dictados ahora con la incorporación de las tic en las aulas podéis hacer que vuestras clases sean más divertidas y visuales en el caso de la actividad estudio de lasílabas recogida en la plataforma seguir leyendo aprender a dominar la

[dominar l ortografia quadern de l alumnat redueix](#) - Sep 25 2022

web oct 13 2023 dominar l ortografia quadern de l alumnat libro en papel redueix les teues faltes fins a un 80 de gabarró berbegal daniel sinopsis este quadern es basa en un branca aplicada de la psicologia la programació neurolingüística o pnl en fer servir este quadern s aprén el gest mental que fan les

**dominar l ortografia quadern de l alumnat redueix les teues** - Oct 07 2023

web quadern de l alumnat redueix les teues faltes fins a un 80 tapa blanda 30 enero 2012 este quadern es basa en un branca aplicada de la psicologia la programació neurolingüística o pnl en fer servir este quadern s aprén el gest mental que fan les persones amb bona ortografia

**dominar l ortografia quadern de l alumnat redueix les teves** - Nov 27 2022

web dominar l ortografia quadern de l alumnat redueix les teves faltes fins un 80 daniel gabarró aquest quadern es basa en un branca aplicada de la psicologia la programació neurolingüística o pnl em fer servir aquest quadern s aprèn el gest mental que fan les persones amb bona ortografia una vegada après s escriu correctament sense

**dominar l ortografia quadern de l alumnat redueix** - Aug 05 2023

web dominar l ortografia quadern de l alumnat redueix del manuscrit a la paraula digital from manuscript to digital word feb 21 2022 this collection which transports readers from the age of manuscripts to the digital word is a good demonstration not only of the current vitality of studies of catalan language and literature but also of the

[dominar l ortografia quadern de l alumnat redueix claudia l](#) - Mar 20 2022

web dominar l ortografia quadern de l alumnat redueix dominar l ortografia quadern de l alumnat redueix 1 downloaded from donate pfi org on 2021 02 12 by guest yeah reviewing a book dominar l ortografia quadern de l alumnat redueix could amass your near connections listings this is just one of the solutions for you to be successful

[dominar l ortografia quadern de l alumnat redueix les teues](#) - Feb 28 2023

web dominar l ortografia quadern de l alumnat redueix les teues faltes fins a un 80 valencian edition by gabarró berbegal daniel isbn 10 8415218451 isbn 13 9788415218456 boira editorial formació i serveis 2012 softcover

**dominar l ortografia quadern de l alumnat redueix les teues** - Jun 03 2023

web jan 30 2012 dominar l ortografia quadern de l alumnat redueix les teues faltes fins a un 80 valencian edition gabarró berbegal daniel on amazon com free shipping on qualifying offers dominar l ortografia quadern de l alumnat redueix les teues faltes fins a un 80 valencian edition

**dominar l ortografia quadern de l alumnat redueix les teves** - Jul 04 2023

web jan 15 2014 dominar l ortografia quadern de l alumnat redueix les teves faltes fins a un 80 gabarró berbegal daniel on amazon com free shipping on qualifying offers quadern de l alumnat redueix les teves faltes fins a un 80

**dominar lortografia quadern lalumnat abebooks** - Oct 27 2022

web dominar l ortografia quadern de l alumnat redueix les teves faltes fins a un 80 by gabarró berbegal daniel and a great selection of related books art and collectibles available now at abebooks com

dominar l ortografia quadern de l alumnat redueix les teves - Dec 29 2022

web dominar l ortografia quadern de l alumnat redueix les teves faltes fins a un 80 de gabarró berbegal daniel en iberlibro com isbn 10 841521863x isbn 13 9788415218630 boira editorial formació i serveis 2014 tapa blanda

informÀtic complementari dominar l ortografia internet - Sep 06 2023

web dominar l ortografia quadern de l alumnat isbn 978 84 16680 83 2 dipòsit legal l 160 2020 boira editorial de l edició daniel gabarró dels textos correcció isabel casadevall maquetació jorge herreros boiraeditorial com ortografia

**dominar l ortografia quadern de l alumnat redueix download** - Jul 24 2022

web 2 dominar l ortografia quadern de l alumnat redueix 2022 09 11 dominar l ortografia quadern de l alumnat redueix downloaded from pantera adecco com by guest hinton haas exploring grammar in context nixon house a journalist receives a proposal to investigate the eventful life of his great grandmother about whom all that is

**dominar l ortografia quadern de l alumnat todos tus libros** - Aug 25 2022

web dominar l ortografia quadern de l alumnat redueix les teves faltes fins a un 80 gabarró berbegal daniel 0 opiniones leer descripción completa 10 00 añadir a la cesta reservar gratis ver disponibilidad solo quedan 5 ficha técnica isbn 978 84 15218 63 0 ean 9788415218630 editorial boira editorial formació i serveis autor a

**dominar l ortografia quadern de l alumnat redueix teresa** - Jun 22 2022

web dominar l ortografia quadern de l alumnat redueix when somebody should go to the ebook stores search opening by shop shelf by shelf it is in point of fact problematic this is why we present the books compilations in this website it will definitely ease you to look guide dominar l ortografia quadern de l alumnat redueix as you such as

amazon fr dominar l ortografia quadern de l alumnat redueix - Apr 01 2023

web retrouvez dominar l ortografia quadern de l alumnat redueix les teves faltes fins a un 80 et des millions de livres en stock sur amazon fr achetez neuf ou d occasion amazon fr dominar l ortografia

*dominar l ortografia quadern de l alumnat vv aa casa del* - Jan 30 2023

web dominar l ortografia és un innovador quadern escolar per alumnat a partir de 8 anys que ensenya el gest mental que fan les persones amb bona ortografia redueix les faltes ortogràfiques entre un 50 i un 80 en poc temps quieres que te avisemos si

lo volvemos a recibir avísame ficha técnica editorial boira idioma catalán