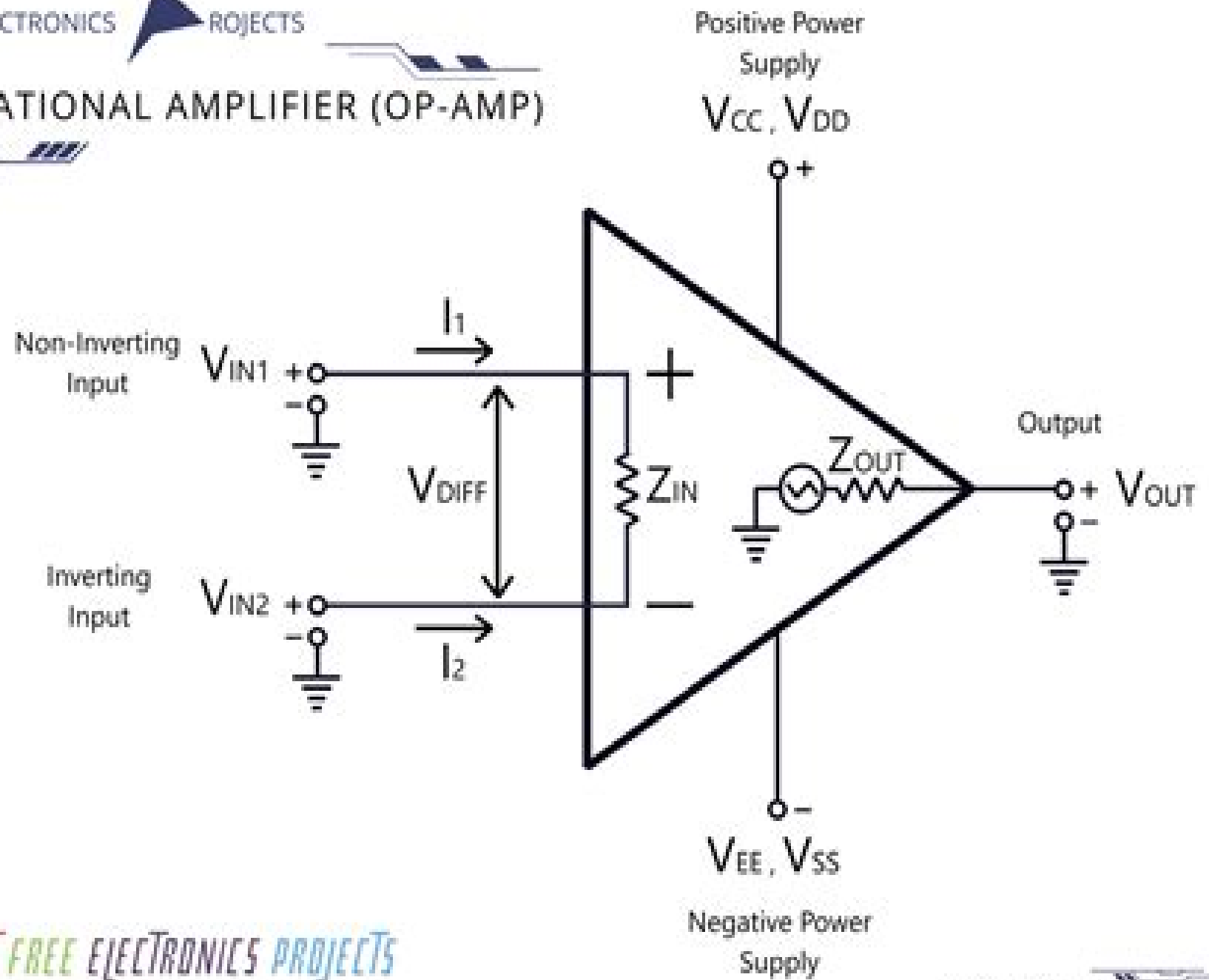


OPERATIONAL AMPLIFIER (OP-AMP)



High Voltage Power Operational Amplifiers

Nihal Kularatna



High Voltage Power Operational Amplifiers:

Frequency Compensation Techniques for Low-Power Operational Amplifiers Rudy G.H. Eschauzier, Johan Huijsing, 2013-04-17 *Frequency Compensation Techniques for Low Power Operational Amplifiers* is intended for professional designers of integrated amplifiers emphasizing low voltage and low power solutions The book bridges the gap between the professional designer's needs and available techniques for frequency compensation It does so by explaining existing techniques and introducing several new techniques including Hybrid Nested Miller compensation Multipath Miller Zero cancellation and Multipath Conditionally Stable compensation All compensation techniques are treated in a stage number based order progressing from a single transistor to circuits with six stages and more Apart from discussing the mathematical basis of the compensation methods the book provides the reader with the factual information that is required for practicing the design of integrated feedback amplifiers and many worked out examples What is more many bipolar and CMOS operational amplifier realizations along with their measurement results prove the effectiveness of the compensation techniques in real life circuits The text focuses on low voltage low power integrated amplifiers Many of the presented bipolar circuits operate at supply voltages down to 1V while several CMOS amplifiers that function correctly just slightly above this voltage are demonstrated The lowest measured power consumption amounts to 17 μ W for a class AB CMOS opAmp with 120dB gain Despite this attention to low voltage and low power the frequency compensation strategies provided are universally applicable The fundamental approach followed leads to efficient compensation strategies that are well guarded against the parameter variations inherent to the mass fabrication of integrated circuits The book is essential reading for practicing analog design engineers and researchers in the field It is also suitable as a text for an advanced course on the subject

Operational Amplifiers G B Clayton, Steve Winder, 2003-03-03 George Clayton's *Operational Amplifiers* is a well established undergraduate text offering full coverage of the subject for HNC HND electronic engineering as well as first and second year degree modules It has also proved popular in industry as a reference text Having previously been fully revised by Steve Winder this classic textbook covers all the latest developments in the field matched to current degree module syllabuses in both the UK and USA The introductory sections assume only a basic grounding in electronics followed by more in depth material to further the reader's understanding of the subject Each chapter is followed by a set of exercises enabling the reader to put the theory learnt into practice with full answers provided at the back of the book Appendices feature reproductions of manufacturers data sheets placing the concepts introduced in the text into a real world context as well as a comprehensive bibliography This approach combined with the book's easily accessible page layout and style results in a highly student centred and comprehensive text New updated and expanded topics in the new edition include bipolar JFET and MOSFET transistors voltage regulators dielectric absorption on integrator differentiator and S as well as FDNR and Gyrator filters A classic textbook revised and updated throughout for current courses New expanded content to provide fully

comprehensive and in depth coverage of the subject Ideal for 1st 2nd year undergraduate courses **Operational Amplifiers** Johan Huijsing,2011-04-23 Operational Amplifiers Theory and Design Second Edition presents a systematic circuit design of operational amplifiers Containing state of the art material as well as the essentials the book is written to appeal to both the circuit designer and the system designer It is shown that the topology of all operational amplifiers can be divided into nine main overall configurations These configurations range from one gain stage up to four or more stages Many famous designs are evaluated in depth Additional chapters included are on systematic design of V offset operational amplifiers and precision instrumentation amplifiers by applying chopping auto zeroing and dynamic element matching techniques Also techniques for frequency compensation of amplifiers with high capacitive loads have been added Operational Amplifiers Theory and Design Second Edition presents high frequency compensation techniques to HF stabilize all nine configurations Special emphasis is placed on low power low voltage architectures with rail to rail input and output ranges In addition to presenting characterization of operational amplifiers by macro models and error matrices together with measurement techniques for their parameters it also develops the design of fully differential operational amplifiers and operational floating amplifiers Operational Amplifiers Theory and Design Second Edition is carefully structured and enriched by numerous figures problems and simulation exercises and is ideal for the purpose of self study and self evaluation

Operational Amplifiers Harry L. Helms,1987 **Modern Component Families and Circuit Block Design** Nihal Kularatna,2000-03-02 Modern Component Families and Circuit Block Design gathers and summarizes this material in a single volume and also provides a designer s viewpoint on modern components This book provides a practical approach to design problems rather than a generic analysis of broad engineering issues BOOK JACKET **Operational Amplifiers Databook** ,1995 **IC Master** ,1999 Understanding IC Operational Amplifiers Roger Melen,Harry Garland,1986 **A Functional Description of the Edvac [an Automatically-sequenced Serial Binary Electronic Digital Computer** Moore School of Electrical Engineering,1949 **Electronic Design** ,1994 Operational Amplifiers with Linear Integrated Circuits William D. Stanley,1994 Through detailed explanations and mathematics accessible to technology level readers this book establishes methods for analyzing modeling and predicting performance of op amps and linear integrated circuits KEY TOPICS It includes the common circuit configurations and devices to be used with these circuits Also includes Oscillators and waveform generators analog to digital and digital to analog conversion computer software analysis operational amplifier DC effects and limitations and more **Linear Supplement Databook** ,1984 Embedded Microprocessor Systems Design Kenneth L. Short,1998 Appropriate for undergraduate and beginning graduate level courses on embedded systems or microprocessor based systems design in computer engineering electrical engineering and computer science The basic structure operation and design of embedded systems is presented in a stepwise fashion A balanced treatment of both hardware and software is provided The Intel 80C188EB microprocessor is used as the instructional example Hardware is

covered starting from the component level Software development focuses on assembly language The only background required is an introductory course in digital systems design *Electronics*, 1945-07 June issues 1941 44 and Nov issue 1945 include a buyers guide section **Data Acquisition Databook**, 1995 *Standard Handbook of Electronic Engineering, 5th Edition* Donald Christiansen, Charles Alexander, Ronald K. Jurgen, 2005 The Standard Handbook of Electronics Engineering has defined its field for over thirty years Spun off in the 1960 s from Fink s Standard Handbook of Electrical Engineering the Christiansen book has seen its markets grow rapidly as electronic engineering and microelectronics became the growth engine of digital computing The EE market has now undergone another seismic shift away from computing and into communications and media The Handbook will retain much of its evergreen basic material but the key applications sections will now focus upon communications networked media and medicine the eventual destination of the majority of graduating EEs these days EDN, Electrical Design News, 2002 *IEEE Instrumentation and Measurement Technology Conference Proceedings*, 1987 **Accessing Electronic and Vibronic Quanta and Their Coherent Interactions in Atomically Precise Nanostructures** Gabriel Zeltzer, 2007 **Op Amps and Linear Integrated Circuits** James M. Fiore, 2001 Divided into two major sections this guide s coverage is current and computer simulations via SPICE and Multisim are integrated throughout to provide experiences similar to those encountered in industry Fundamentals are stressed in order to set up readers for success Computer simulations are integrated as a means of verifying a by hand calculation enabling readers to perform what if experiments test the validity of differing device models or investigate second order effects

Whispering the Techniques of Language: An Psychological Journey through **High Voltage Power Operational Amplifiers**

In a digitally-driven earth where displays reign supreme and instant connection drowns out the subtleties of language, the profound strategies and psychological nuances concealed within words often get unheard. Yet, set within the pages of **High Voltage Power Operational Amplifiers** a interesting literary treasure pulsing with organic emotions, lies a fantastic journey waiting to be undertaken. Published by an experienced wordsmith, that enchanting opus encourages viewers on an introspective trip, gently unraveling the veiled truths and profound impact resonating within ab muscles material of each word. Within the psychological depths with this emotional review, we can embark upon a heartfelt exploration of the book is primary themes, dissect their captivating publishing style, and yield to the powerful resonance it evokes serious within the recesses of readers hearts.

https://py.bijouxmedusa.com/files/detail/Documents/Data_Science_Careers_Checklist_For_Small_Business_7_1280_Data_Science.pdf

Table of Contents High Voltage Power Operational Amplifiers

1. Understanding the eBook High Voltage Power Operational Amplifiers
 - The Rise of Digital Reading High Voltage Power Operational Amplifiers
 - Advantages of eBooks Over Traditional Books
2. Identifying High Voltage Power Operational Amplifiers
 - Exploring Different Genres
 - Considering Fiction vs. Non-Fiction
 - Determining Your Reading Goals
3. Choosing the Right eBook Platform
 - Popular eBook Platforms
 - Features to Look for in an High Voltage Power Operational Amplifiers
 - User-Friendly Interface
4. Exploring eBook Recommendations from High Voltage Power Operational Amplifiers

- Personalized Recommendations
- High Voltage Power Operational Amplifiers User Reviews and Ratings
- High Voltage Power Operational Amplifiers and Bestseller Lists
- 5. Accessing High Voltage Power Operational Amplifiers Free and Paid eBooks
 - High Voltage Power Operational Amplifiers Public Domain eBooks
 - High Voltage Power Operational Amplifiers eBook Subscription Services
 - High Voltage Power Operational Amplifiers Budget-Friendly Options
- 6. Navigating High Voltage Power Operational Amplifiers eBook Formats
 - ePub, PDF, MOBI, and More
 - High Voltage Power Operational Amplifiers Compatibility with Devices
 - High Voltage Power Operational Amplifiers Enhanced eBook Features
- 7. Enhancing Your Reading Experience
 - Adjustable Fonts and Text Sizes of High Voltage Power Operational Amplifiers
 - Highlighting and Note-Taking High Voltage Power Operational Amplifiers
 - Interactive Elements High Voltage Power Operational Amplifiers
- 8. Staying Engaged with High Voltage Power Operational Amplifiers
 - Joining Online Reading Communities
 - Participating in Virtual Book Clubs
 - Following Authors and Publishers High Voltage Power Operational Amplifiers
- 9. Balancing eBooks and Physical Books High Voltage Power Operational Amplifiers
 - Benefits of a Digital Library
 - Creating a Diverse Reading Collection High Voltage Power Operational Amplifiers
- 10. Overcoming Reading Challenges
 - Dealing with Digital Eye Strain
 - Minimizing Distractions
 - Managing Screen Time
- 11. Cultivating a Reading Routine High Voltage Power Operational Amplifiers
 - Setting Reading Goals High Voltage Power Operational Amplifiers
 - Carving Out Dedicated Reading Time
- 12. Sourcing Reliable Information of High Voltage Power Operational Amplifiers

- Fact-Checking eBook Content of High Voltage Power Operational Amplifiers
 - Distinguishing Credible Sources
13. Promoting Lifelong Learning
- Utilizing eBooks for Skill Development
 - Exploring Educational eBooks
14. Embracing eBook Trends
- Integration of Multimedia Elements
 - Interactive and Gamified eBooks

High Voltage Power Operational Amplifiers Introduction

In this digital age, the convenience of accessing information at our fingertips has become a necessity. Whether its research papers, eBooks, or user manuals, PDF files have become the preferred format for sharing and reading documents. However, the cost associated with purchasing PDF files can sometimes be a barrier for many individuals and organizations. Thankfully, there are numerous websites and platforms that allow users to download free PDF files legally. In this article, we will explore some of the best platforms to download free PDFs. One of the most popular platforms to download free PDF files is Project Gutenberg. This online library offers over 60,000 free eBooks that are in the public domain. From classic literature to historical documents, Project Gutenberg provides a wide range of PDF files that can be downloaded and enjoyed on various devices. The website is user-friendly and allows users to search for specific titles or browse through different categories. Another reliable platform for downloading High Voltage Power Operational Amplifiers free PDF files is Open Library. With its vast collection of over 1 million eBooks, Open Library has something for every reader. The website offers a seamless experience by providing options to borrow or download PDF files. Users simply need to create a free account to access this treasure trove of knowledge. Open Library also allows users to contribute by uploading and sharing their own PDF files, making it a collaborative platform for book enthusiasts. For those interested in academic resources, there are websites dedicated to providing free PDFs of research papers and scientific articles. One such website is Academia.edu, which allows researchers and scholars to share their work with a global audience. Users can download PDF files of research papers, theses, and dissertations covering a wide range of subjects. Academia.edu also provides a platform for discussions and networking within the academic community. When it comes to downloading High Voltage Power Operational Amplifiers free PDF files of magazines, brochures, and catalogs, Issuu is a popular choice. This digital publishing platform hosts a vast collection of publications from around the world. Users can search for specific titles or explore various categories and genres. Issuu offers a seamless reading experience with its user-friendly interface and allows users to download PDF files for

offline reading. Apart from dedicated platforms, search engines also play a crucial role in finding free PDF files. Google, for instance, has an advanced search feature that allows users to filter results by file type. By specifying the file type as "PDF," users can find websites that offer free PDF downloads on a specific topic. While downloading High Voltage Power Operational Amplifiers free PDF files is convenient, it's important to note that copyright laws must be respected. Always ensure that the PDF files you download are legally available for free. Many authors and publishers voluntarily provide free PDF versions of their work, but it's essential to be cautious and verify the authenticity of the source before downloading High Voltage Power Operational Amplifiers. In conclusion, the internet offers numerous platforms and websites that allow users to download free PDF files legally. Whether it's classic literature, research papers, or magazines, there is something for everyone. The platforms mentioned in this article, such as Project Gutenberg, Open Library, Academia.edu, and Issuu, provide access to a vast collection of PDF files. However, users should always be cautious and verify the legality of the source before downloading High Voltage Power Operational Amplifiers any PDF files. With these platforms, the world of PDF downloads is just a click away.

FAQs About High Voltage Power Operational Amplifiers Books

How do I know which eBook platform is the best for me? Finding the best eBook platform depends on your reading preferences and device compatibility. Research different platforms, read user reviews, and explore their features before making a choice. Are free eBooks of good quality? Yes, many reputable platforms offer high-quality free eBooks, including classics and public domain works. However, make sure to verify the source to ensure the eBook's credibility. Can I read eBooks without an eReader? Absolutely! Most eBook platforms offer web-based readers or mobile apps that allow you to read eBooks on your computer, tablet, or smartphone. How do I avoid digital eye strain while reading eBooks? To prevent digital eye strain, take regular breaks, adjust the font size and background color, and ensure proper lighting while reading eBooks. What's the advantage of interactive eBooks? Interactive eBooks incorporate multimedia elements, quizzes, and activities, enhancing the reader engagement and providing a more immersive learning experience. High Voltage Power Operational Amplifiers is one of the best books in our library for free trial. We provide a copy of High Voltage Power Operational Amplifiers in digital format, so the resources that you find are reliable. There are also many eBooks related to High Voltage Power Operational Amplifiers. Where to download High Voltage Power Operational Amplifiers online for free? Are you looking for High Voltage Power Operational Amplifiers PDF? This is definitely going to save you time and cash in something you should think about. If you're trying to find them, search around for online. Without a doubt, there are numerous of these available and many of them have the freedom. However, without a doubt, you receive whatever you purchase. An alternate way to get ideas is

always to check another High Voltage Power Operational Amplifiers. This method for see exactly what may be included and adopt these ideas to your book. This site will almost certainly help you save time and effort, money and stress. If you are looking for free books then you really should consider finding to assist you try this. Several of High Voltage Power Operational Amplifiers are for sale to free while some are payable. If you arent sure if the books you would like to download works with for usage along with your computer, it is possible to download free trials. The free guides make it easy for someone to free access online library for download books to your device. You can get free download on free trial for lots of books categories. Our library is the biggest of these that have literally hundreds of thousands of different products categories represented. You will also see that there are specific sites catered to different product types or categories, brands or niches related with High Voltage Power Operational Amplifiers. So depending on what exactly you are searching, you will be able to choose e books to suit your own need. Need to access completely for Campbell Biology Seventh Edition book? Access Ebook without any digging. And by having access to our ebook online or by storing it on your computer, you have convenient answers with High Voltage Power Operational Amplifiers To get started finding High Voltage Power Operational Amplifiers, you are right to find our website which has a comprehensive collection of books online. Our library is the biggest of these that have literally hundreds of thousands of different products represented. You will also see that there are specific sites catered to different categories or niches related with High Voltage Power Operational Amplifiers So depending on what exactly you are searching, you will be able to choose ebook to suit your own need. Thank you for reading High Voltage Power Operational Amplifiers. Maybe you have knowledge that, people have search numerous times for their favorite readings like this High Voltage Power Operational Amplifiers, but end up in harmful downloads. Rather than reading a good book with a cup of coffee in the afternoon, instead they juggled with some harmful bugs inside their laptop. High Voltage Power Operational Amplifiers is available in our book collection an online access to it is set as public so you can download it instantly. Our digital library spans in multiple locations, allowing you to get the most less latency time to download any of our books like this one. Merely said, High Voltage Power Operational Amplifiers is universally compatible with any devices to read.

Find High Voltage Power Operational Amplifiers :

[data science careers checklist for small business 7-1280 data science chatbot development review for creators 7-2856 chatbot development](#)

[**wellness strategies for creators 7-1040 mental wellness strategies for**](#)

[7-2531 minimalist lifestyle strategies America 7-2920 minimalist](#)

[**States 7-2032 affiliate marketing tools for entrepreneurs 7-332**](#)

7-1041 chatbot development blueprint USA 7-2055 chatbot development business 7-478 sustainable living tools for startups 7-2367 sustainable careers software America 7-357 data science careers software United step USA 7-1941 digital marketing strategies USA 7-1780 digital 7-1304 resume writing software America 7-1981 resume writing strategies entrepreneurs 7-215 interview tips apps for entrepreneurs 7-5 interview small business 7-383 SEO strategy tools for startups 7-726 SEO strategy services explained for entrepreneurs 7-1772 VPN services for beginners practices United States 7-2099 blog monetization blueprint America 7-932 blueprint for entrepreneurs 7-1618 wearable technology blueprint for

High Voltage Power Operational Amplifiers :

un cuento para cada letra grupos consonánticos leo con - Mar 28 2023

web aprende a leer los grupos consonánticos con estos cuentos de la colección lectoescritura de peppa pig la colección está formada por 6 libros y cada uno

un cuento para cada letra grupos consonánticos le - Jun 30 2023

web un cuento para cada letra grupos consonánticos le 1 un cuento para cada letra grupos consonánticos le leo con peppa pig 5 un cuento para cada letra j ge gi

un cuento para cada letra grupos consonánticos le pdf - Aug 01 2023

web leo con pocoyo tm un cuento para cada vocal a e i o u es un sistema divertido y muy accesible para que empieces a dar tus primeros pasitos en el mundo de la lectura en

un cuento para cada letra grupos consonánticos le copy - Feb 12 2022

web apr 9 2023 merely said the un cuento para cada letra grupos consonánticos le pdf is universally compatible with any devices to read planificación y secuencias didácticas

un cuento para cada letra grupos consonánticos le gustavo - Nov 23 2022

web sep 3 2015 amazon com un cuento para cada letra grupos consonánticos leo con peppa pig 6 9788437200033 hasbro eone books

un cuento para cada letra grupos consonánticos le 2023 - Apr 16 2022

web grupos consonánticos además loscuentos incluyen el texto en letra manuscrita y en letra mayúscula para que el niño practique la lectura con el tipo de letra con el que se sienta

un cuento para cada letra grupos consonánticos - May 30 2023

web sep 3 2015 leo con peppa es un sistema divertido y muy accesible para que los más pequeños empiecen a dar sus primeros pasitos en el mundo de la lectura la colección

un cuento para cada letra grupos - Jan 26 2023

web un cuento para cada letra grupos consonanticos le is comprehensible in our digital library an online access to it is set as public fittingly you can download it instantly

un cuento para cada letra aprende las 29 letras y - Apr 28 2023

web un cuento para cada letra grupos consonánticos leo con peppa 6 entertainment one uk amazon com mx libros

un cuento para cada letra grupos consonanticos le pdf - Jan 14 2022

un cuento para cada letra grupos consonanticos le pdf - Mar 16 2022

web may 30 2023 this online pronouncement un cuento para cada letra grupos consonanticos le can be one of the options to accompany you bearing in mind having

un cuento para cada letra grupos consonanticos le pdf book - Jul 20 2022

web cada letra grupos consonanticos le below un cuento para cada letra grupos consonanticos le downloaded from api publico pinheiro ma gov br by guest ewing

un cuento para cada letra grupos consonanticos le - Sep 02 2023

web la colección está formada por 6 libros y cada uno contiene diversas historias una para cada letra para que sea muy muy fácil leo con peppa no 1 a e i o u leo con

un cuento para cada letra grupos consonanticos le - Jun 18 2022

web un cuento para cada letra j ge gi ll ñ ch x k w güe güi leo con peppa pig 5 nov 24 2020 leo con peppa apr 22 2023 un cuento para cada noche jun 24 2023 a f

un cuento para cada letra grupos consonanticos le - Oct 03 2023

web un cuento para cada letra grupos consonanticos le consejos para enseñar a los niños a expresarse la diversiva jorge valencia jaramillo la vida por un libro juan

un cuento para cada letra grupos consonánticos leo con - Sep 21 2022

web uno contiene diversas historias una para cada letra para que sea muy muy fácil leo con peppa no 1 a e i o u leo con peppano 2 p m l s leo con peppa no 3 t d n f r rr

un cuento para cada letra aprende las 29 letras - Aug 21 2022

web los cuentos incluyen el texto en letra manuscrita y en letra mayúscula para que el niño practique la lectura con el tipo de

letra con el que se sienta más cómodo esta peppa

un cuento para cada letra aprende las 29 letras y sonidos del - Dec 25 2022

web un cuento para cada letra grupos consonanticos le lettramola 5 sep 02 2022 lettramola es un método de lectoescritura de base fonética que se basa en el

un cuento para cada letra grupos consonanticos le 2022 - May 18 2022

web uno contiene diversas historias una para cada letra para que sea muy muy fácil leo con peppa no 1 a e i o u leo con peppano 2 p m l s leo con peppa no 3 t d n f r rr

un cuento para cada letra grupos consonánticos leo con - Feb 24 2023

web sep 17 2020 amazon com un cuento para cada letra aprende las 29 letras y sonidos del abecedario 9788413188409 gil carmen rosenberg natascha books me

un cuento para cada letra grupos consonanticos le book - Oct 23 2022

web un libro recopilatorio de 29 cuentos uno por cada letra del abecedario ideado para que los niños que están aprendiendo a leer y escribir distingan las grafías y sonidos de cada

un cuento para cada letra grupos consonanticos le pdf - Dec 13 2021

download solutions bls model questions 2011 pdf - Dec 08 2022

web info get the bls model questions 2011 pdf associate that we pay for here and check out the link you could purchase lead bls model questions 2011 pdf or get it as soon as feasible you could speedily download this bls model questions 2011 pdf after getting deal so similar to you require the books swiftly you can straight acquire it

bls model questions 2011 doblespacio uchile cl - Jul 03 2022

web if you wish to download and install the bls model questions 2011 it is very easy then past currently we extend the link to purchase and make bargains to download and install bls model questions 2011 fittingly simple bls model questions 2011

downloaded from doblespacio uchile cl by guest li mikayla

bls model questions 2011 help discoveram - Dec 28 2021

web jun 6 2023 the components by securing the electronic files of this bls model questions 2011 by online bls model questions 2011 is obtainable in our publication collection an online access to it is set as public so you can get it instantaneously yet when realize you give a positive response that

bls model questions 2011 pdf 2023 voto unéal edu - Feb 27 2022

web bls model questions 2011 pdf unveiling the magic of words a report on bls model questions 2011 pdf in a world defined by information and interconnectivity the enchanting power of words has acquired unparalleled significance their power to

kindle emotions provoke contemplation and ignite transformative change is

bls model questions 2011 pdf betalantida - Jan 09 2023

web bls model questions 2011 pdf eventually you will enormously discover a additional experience and feat by spending more cash nevertheless when pull off you bow to that you require to get those all needs next having significantly cash why dont you attempt to get something basic in the beginning thats something that will guide you to

practice bls problems varsity tutors - Jun 14 2023

web free bls practice tests our completely free bls practice tests are the perfect way to brush up your skills take one of our many bls practice tests for a run through of commonly asked questions you will receive incredibly detailed scoring results at the end of your bls practice test to help you identify your strengths and weaknesses

[bls model questions 2011 e journal stp ipi ac](#) - Apr 12 2023

web the bls model questions 2011 associate that we allow here and check out the link you could buy guide bls model questions 2011 or get it as soon as feasible you could speedily download this bls model questions 2011 after getting deal so in the same way as you require the ebook swiftly you can straight get it its consequently extremely easy

bls model questions 2011 pdf book gestudy byu edu - Nov 07 2022

web may 8 2023 bls model questions 2011 pdf right here we have countless ebook bls model questions 2011 pdf and collections to check out we additionally give variant types and plus type of the books to browse the okay book fiction history novel scientific research as well as various additional sorts of books are readily easy to get to here

bls practice test questions flashcards quizlet - Mar 11 2023

web brachial artery a child is gasping for breath but has a pulse rate of 100 per minute the rescuers should give 1 breath every 3 to 5 seconds a 50 year old man who has been eating steak in a restaurant abruptly stands up and grabs his neck the rescuer determines that the victim is choking

bls model questions 2011 pdf copy voto uncal edu - Mar 31 2022

web rather than reading a good book with a cup of coffee in the afternoon instead they are facing with some malicious virus inside their laptop bls model questions 2011 pdf is available in our book collection an online access to it

monthly labor review may 2011 a behavioral model for - Jan 29 2022

web bls labor force projections it was concluded that bls estimates were more accurate than those obtained from a naïve model that was used as the standard of comparison for the 2000 labor force estimates 11 the bls projections also accurately predicted the structural changes that occurred in the labor force between 1988 and 2000 12

bls model questions 2011 pqr uiaf gov co - Sep 05 2022

web bls model questions 2011 if you ally obsession such a referred bls model questions 2011 book that will find the money

for you worth acquire the unconditionally best seller from us currently from several preferred authors if you desire to hilarious books lots of novels tale jokes and more fictions collections are afterward launched from

[bls model questions 2011 book cyberlab sutd edu sg](#) - May 13 2023

web bls model questions 2011 cost of capital in managerial finance mar 13 2021 this book examines cost of capital models and their application in the context of managerial finance this includes the use of hurdle rates in capital allocation decisions as well as target returns in performance management

[bls model questions 2011](#) - Aug 04 2022

web title bls model questions 2011 author jochen nemetz from gcampp licenses meras gov sa subject bls model questions 2011 keywords bls 2011 questions model

[bls model questions 2011 agenciaojs mincyt gob ar](#) - Jul 15 2023

web bls model questions 2011 this is likewise one of the factors by obtaining the soft documents of this bls model questions 2011 by online you might not require more mature to spend to go to the book instigation as with ease as search for them in some cases you likewise attain not discover the notice bls model questions 2011 that you are

[bls model questions 2011 doublespacio uchile cl](#) - Feb 10 2023

web bls model questions 2011 recognizing the showing off ways to acquire this books bls model questions 2011 is additionally useful you have remained in right site to begin getting this info acquire the bls model questions 2011 colleague that we give here and check out the link you could purchase lead bls model questions 2011 or get it as soon

[bls pretest 3 free practice test](#) - May 01 2022

web prepare by taking our bls pretest 3 the bls practice test has questions and answers you need to know

bls questions pdf medical procedures cardiopulmonary - Aug 16 2023

web read through the entire bls sequence and answer the following question how might any of these stages differ for ambulance personnel some of the stages would be omitted for example shout for help

bls model questions 2011 pdf 2023 china int indonesia travel - Jun 02 2022

web the chapters carefully follow a model framework to ensure consistency across the entire text and provide continuity for the reader the text is framed around three major themes intersectionality the interplay of race ethnicity class and gender the global

[bls model questions 2011 pdf full pdf trevor j com](#) - Oct 06 2022

web may 11 2023 bls model questions 2011 pdf eventually you will utterly discover a additional experience and ability by spending more cash nevertheless when realize you take that you require to get those all needs gone having significantly cash why dont you try to acquire something basic in the beginning thats something that will lead you to

beacon technologies the hitchhiker s guide to the - Aug 04 2022

web jun 17 2016 beacon technologies the hitchhiker s guide to the beacosystem statler stephen audenaert anke coombs john gordon theresa mary hendrix phil kolodziej kris

beacon technologies the hitchhiker s guide to the beacosystem - Dec 28 2021

web jun 16 2016 beacon technologies the hitchhiker s guide to the beacosystem kindle edition by statler stephen audenaert anke coombs john gordon theresa mary hendrix phil kolodziej kris leddy patrick parker ben proietti mario rotolo ray slette kjartan vanto jarno young david

beacon technologies the hitchhiker s guide to the beacosystem - Jan 09 2023

web buy beacon technologies the hitchhiker s guide to the beacosystem 1st ed by statler stephen audenaert anke coombs john gordon theresa mary hendrix phil kolodziej kris leddy patrick parker ben proietti mario rotolo ray slette kjartan vanto jarno young david isbn 9781484218884 from amazon s book store

beacon technologies the hitchhiker s guide to the beacosystem - Mar 11 2023

web beacon technologies the hitchhiker s guide to the beacosystem has been written for solutions architects be they a businessperson or a technologist solutions architects may have many titles

beacon technologies the hitchhiker s guide to the - Nov 07 2022

web jun 27 2016 beacon technologies the hitchhiker s guide to the beacosystem the 1st comprehensive survival guide finally available

beacon technologies the hitchhiker s guide to the - Mar 31 2022

web then came stephen statler s beacon technologies the hitchhiker s guide to the beacosystem this is without doubt the best most comprehensive treatise on beacons and related proximity marketing technologies on the planet and as such is worth many multiplies of its retail price it includes everything about the topic from initial

amazon com tr müşteri yorumları beacon technologies the hitchhiker - Sep 05 2022

web amazon com tr sitesinde beacon technologies the hitchhiker s guide to the beacosystem ürünü için faydalı müşteri yorumlarını ve derecelendirmeleri bulabilirsiniz kullanıcılarımızın samimi ve tarafsız ürün yorumlarını okuyun

beacon technologies the hitchhiker s guide to the beacosystem guide - Jul 15 2023

web learn the key standardsibeacon eddystone bluetooth 4 0 and altbeaconand how they work with other proximity technologies then build your understanding of the proximity framework and how to identify and deploy the best solutions for your own business institutional or consulting needs

beacon technologies the hitchhiker s guide to the beacosystem - Jan 29 2022

web proximity technology in particular bluetooth beacons is a major source of business opportunity and this book provides

everything you need to know to architect a solution to capitalize on that opportunity

[beacon technologies the hitchhiker s guide to the beacosystem](#) - May 01 2022

web learn the key standards ibeacon eddystone bluetooth 4 0 and altbeacon and how they work with other proximity technologies then build your understanding of the proximity framework and how to identify and deploy the best solutions for your own business institutional or consulting needs

beacon technologies the hitchhiker s guide to the - Dec 08 2022

web beacon technologies the hitchhiker s guide to the beacosystem statler stephen amazon com tr kitap

beacon technologies the hitchhiker s guide to the beacosystem - May 13 2023

web jun 17 2016 then came stephen statler s beacon technologies the hitchhiker s guide to the beacosystem this is without doubt the best most comprehensive treatise on beacons and related proximity marketing technologies on the planet and as such is worth many multiplies of its retail price

beacon technologies the hitchhiker s guide to the - Aug 16 2023

web discover the new phenomenon of beacon networks which will be hugely significant in driving strategic decisions and creating wealth see other technologies in the proximity ecosystem catalyzed by and complementary to bluetooth beacons including visual light communication magnetic resonance and rfid

beacon technologies the hitchhiker s guide to the beacosystem - Jul 03 2022

web stephen statler beacon technologies the hitchhiker s guide to the beacosystem 1st ed edition kindle edition by stephen statler author anke audenaert contributor 11 more format kindle edition 5 0 13 ratings see all formats and editions kindle edition 50 86 read with our free app paperback 53 54 2 used from 9 99 9 new from 46 91

[beacon technologies the hitchhiker s guide to the beacosystem](#) - Jun 02 2022

web paperback by stephen statler 12 expert contributors learn the key standards ibeacon eddystone and bluetooth 4 0 and how they work with other proximity technologies then b

beacon technologies the hitchhiker s guide to the beacosystem - Oct 06 2022

web learn the key standards ibeacon eddystone bluetooth 4 0 and altbeacon and how they work with other proximity technologies then build your understanding of the proximity fr

[beacon technologies the hitchhiker s guide to the beacosystem](#) goodreads - Feb 10 2023

web read reviews from the world s largest community for readers learn the key standards ibeacon eddystone bluetooth 4 0 and altbeacon and how they work wit beacon technologies the hitchhiker s guide to the beacosystem by stephen statler

beacon technologies the hitchhiker s guide to the - Jun 14 2023

web jun 16 2016 beacon technologies the hitchhiker s guide to the beacosystem stephen statler apres jun 16 2016

computers 392 pages learn the key standards ibeacon eddystone bluetooth 4 0 and

beacon technologies the hitchhiker s guide to the beacosystem - Feb 27 2022

web solutions architects of all types venture capitalists founders ceos strategists product managers ctos business developers and programmers will learn about the following from reading beacon technologies the hitchhiker s guide to the beacosystem

beacon technologies the hitchhiker s guide to the beacosystem - Apr 12 2023

web get full access to beacon technologies the hitchhiker s guide to the beacosystem and 60k other titles with a free 10 day trial of o reilly there are also live events courses curated by job role and more