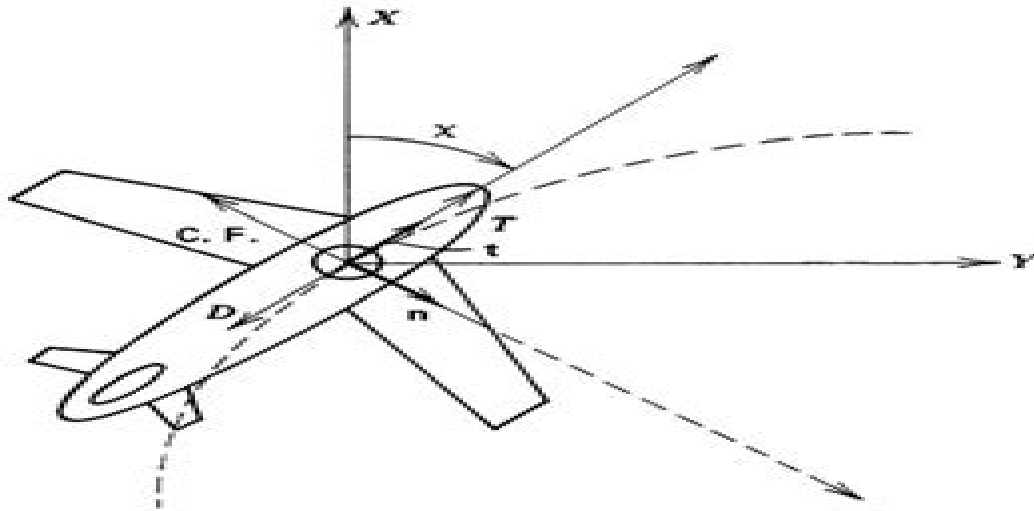


Introduction to Aircraft Performance, Selection, and Design



Francis J. Hale

Introduction To Aircraft Performance Selection And Design

JR Anderson



Introduction To Aircraft Performance Selection And Design:

Introduction to Aircraft Performance, Selection, and Design Francis J. Hale, 1984-03-20 A self contained in depth treatment of aircraft performance designed for a first course in aeronautical or aerospace engineering for undergraduate engineers Provides an understanding of why conventional aircraft look and fly the way they do This well written text covers turbofan and turboprop propulsion subjects often avoided in other texts New to the text is the treatment of wind effects on aircraft Includes illustrative examples and references to practical piloting procedures and the significance of parameters

Solutions Manual to Accompany Introduction to Aircraft Performance, Selection, and Design Francis J. Hale, Hale, 1984

Theory and Practice of Aircraft Performance Ajoy Kumar Kundu, Mark A. Price, David Riordan, Peter Belobaba, Jonathan Cooper, Allan Seabridge, 2016-09-02 Textbook introducing the fundamentals of aircraft performance using industry standards and examples bridging the gap between academia and industry Provides an extensive and detailed treatment of all segments of mission profile and overall aircraft performance Considers operating costs safety environmental and related systems issues Includes worked examples relating to current aircraft Learjet 45 Tucano Turboprop Trainer Advanced Jet Trainer and Airbus A320 types of aircraft Suitable as a textbook for aircraft performance courses **Aircraft Performance** Mohammad H. Sadraey, 2023-07-14 Aircraft Performance An Engineering Approach Second Edition introduces flight performance analysis techniques of fixed wing air vehicles particularly heavier than aircraft It covers maximum speed absolute ceiling rate of climb range endurance turn performance and takeoff run Enabling the reader to analyze the performance and flight capabilities of an aircraft by utilizing only the aircraft weight data geometry and engine characteristics this book covers the flight performance analysis for both propeller driven and jet aircraft The second edition features new content on vertical takeoff and landing UAV launch UAV recovery use of rocket engine as the main engine range for electric aircraft electric engine endurance for electric aircraft gliding flight pull up and climb turn In addition this book includes end of chapter problems MATLAB code and examples and case studies to enhance and reinforce student understanding This book is intended for senior undergraduate aerospace students taking courses in Aircraft Performance Flight Dynamics and Flight Mechanics Instructors will be able to utilize an updated Solutions Manual and Figure Slides for their course *Aircraft Performance & Design* John David Anderson, 1999 Balancing technical material with important historical aspects of the invention and design of aeroplanes this book develops aircraft performance techniques from first principles and applies them to real aeroplanes **Performance of the Jet Transport Airplane** Trevor M. Young, 2017-10-30 Performance of the Jet Transport Airplane Analysis Methods Flight Operations and Regulations presents a detailed and comprehensive treatment of performance analysis techniques for jet transport airplanes Uniquely the book describes key operational and regulatory procedures and constraints that directly impact the performance of commercial airliners Topics include rigid body dynamics aerodynamic fundamentals atmospheric models including standard and non

standard atmospheres height scales and altimetry distance and speed measurement lift and drag and associated mathematical models jet engine performance including thrust and specific fuel consumption models takeoff and landing performance with airfield and operational constraints takeoff climb and obstacle clearance level climbing and descending flight including accelerated climb descent cruise and range including solutions by numerical integration payload range endurance and holding maneuvering flight including turning and pitching maneuvers total energy concepts trip fuel planning and estimation including regulatory fuel reserves en route operations and limitations e g climb speed schedules cruise ceiling ETOPS cost considerations e g cost index energy cost fuel tankering weight balance and trim flight envelopes and limitations including stall and buffet onset speeds V_n diagrams environmental considerations viz noise and emissions aircraft systems and airplane performance e g cabin pressurization de anti icing and fuel and performance related regulatory requirements of the FAA Federal Aviation Administration and EASA European Aviation Safety Agency Key features Describes methods for the analysis of the performance of jet transport airplanes during all phases of flight Presents both analytical closed form methods and numerical approaches Describes key FAA and EASA regulations that impact airplane performance Presents equations and examples in both SI System International and USC United States Customary units Considers the influence of operational procedures and their impact on airplane performance Performance of the Jet Transport Airplane Analysis Methods Flight Operations and Regulations provides a comprehensive treatment of the performance of modern jet transport airplanes in an operational context It is a must have reference for aerospace engineering students applied researchers conducting performance related studies and flight operations engineers

37th AIAA Aerospace Sciences Meeting and Exhibit,1999 **Aircraft Performance** Donald M. Layton,1988 The Science of Flight Wilbert N. Hubin,1992 **New Technical Books** ,1926 **Journal of Guidance, Control, and Dynamics** ,2008 **The Aeronautical Journal** ,1984 **Aerospace America** ,1995 **AIAA 26th Aerospace Sciences Meeting** ,1988 **Encyclopedia of Physical Sciences and Engineering Information Sources** Steven R. Wasserman,1989 **Encyclopedia of Physical Science and Technology** Robert A. Meyers,1990 **Engineering Education** ,1983 **The Cumulative Book Index** ,1984 A world list of books in the English language **Journal of Aircraft** ,2009 **American Book Publishing Record** ,1984

Uncover the mysteries within Crafted by is enigmatic creation, Discover the Intrigue in **Introduction To Aircraft Performance Selection And Design** . This downloadable ebook, shrouded in suspense, is available in a PDF format (Download in PDF: *). Dive into a world of uncertainty and anticipation. Download now to unravel the secrets hidden within the pages.

https://py.bijouxmedusa.com/results/detail/HomePages/Konnakol_The_History_And_Development_Of_Solkattu_The.pdf

Table of Contents Introduction To Aircraft Performance Selection And Design

1. Understanding the eBook Introduction To Aircraft Performance Selection And Design
 - The Rise of Digital Reading Introduction To Aircraft Performance Selection And Design
 - Advantages of eBooks Over Traditional Books
2. Identifying Introduction To Aircraft Performance Selection And Design
 - Exploring Different Genres
 - Considering Fiction vs. Non-Fiction
 - Determining Your Reading Goals
3. Choosing the Right eBook Platform
 - Popular eBook Platforms
 - Features to Look for in an Introduction To Aircraft Performance Selection And Design
 - User-Friendly Interface
4. Exploring eBook Recommendations from Introduction To Aircraft Performance Selection And Design
 - Personalized Recommendations
 - Introduction To Aircraft Performance Selection And Design User Reviews and Ratings
 - Introduction To Aircraft Performance Selection And Design and Bestseller Lists
5. Accessing Introduction To Aircraft Performance Selection And Design Free and Paid eBooks
 - Introduction To Aircraft Performance Selection And Design Public Domain eBooks
 - Introduction To Aircraft Performance Selection And Design eBook Subscription Services
 - Introduction To Aircraft Performance Selection And Design Budget-Friendly Options

6. Navigating Introduction To Aircraft Performance Selection And Design eBook Formats
 - ePub, PDF, MOBI, and More
 - Introduction To Aircraft Performance Selection And Design Compatibility with Devices
 - Introduction To Aircraft Performance Selection And Design Enhanced eBook Features
7. Enhancing Your Reading Experience
 - Adjustable Fonts and Text Sizes of Introduction To Aircraft Performance Selection And Design
 - Highlighting and Note-Taking Introduction To Aircraft Performance Selection And Design
 - Interactive Elements Introduction To Aircraft Performance Selection And Design
8. Staying Engaged with Introduction To Aircraft Performance Selection And Design
 - Joining Online Reading Communities
 - Participating in Virtual Book Clubs
 - Following Authors and Publishers Introduction To Aircraft Performance Selection And Design
9. Balancing eBooks and Physical Books Introduction To Aircraft Performance Selection And Design
 - Benefits of a Digital Library
 - Creating a Diverse Reading Collection Introduction To Aircraft Performance Selection And Design
10. Overcoming Reading Challenges
 - Dealing with Digital Eye Strain
 - Minimizing Distractions
 - Managing Screen Time
11. Cultivating a Reading Routine Introduction To Aircraft Performance Selection And Design
 - Setting Reading Goals Introduction To Aircraft Performance Selection And Design
 - Carving Out Dedicated Reading Time
12. Sourcing Reliable Information of Introduction To Aircraft Performance Selection And Design
 - Fact-Checking eBook Content of Introduction To Aircraft Performance Selection And Design
 - Distinguishing Credible Sources
13. Promoting Lifelong Learning
 - Utilizing eBooks for Skill Development
 - Exploring Educational eBooks
14. Embracing eBook Trends
 - Integration of Multimedia Elements

- Interactive and Gamified eBooks

Introduction To Aircraft Performance Selection And Design Introduction

In this digital age, the convenience of accessing information at our fingertips has become a necessity. Whether its research papers, eBooks, or user manuals, PDF files have become the preferred format for sharing and reading documents. However, the cost associated with purchasing PDF files can sometimes be a barrier for many individuals and organizations. Thankfully, there are numerous websites and platforms that allow users to download free PDF files legally. In this article, we will explore some of the best platforms to download free PDFs. One of the most popular platforms to download free PDF files is Project Gutenberg. This online library offers over 60,000 free eBooks that are in the public domain. From classic literature to historical documents, Project Gutenberg provides a wide range of PDF files that can be downloaded and enjoyed on various devices. The website is user-friendly and allows users to search for specific titles or browse through different categories. Another reliable platform for downloading Introduction To Aircraft Performance Selection And Design free PDF files is Open Library. With its vast collection of over 1 million eBooks, Open Library has something for every reader. The website offers a seamless experience by providing options to borrow or download PDF files. Users simply need to create a free account to access this treasure trove of knowledge. Open Library also allows users to contribute by uploading and sharing their own PDF files, making it a collaborative platform for book enthusiasts. For those interested in academic resources, there are websites dedicated to providing free PDFs of research papers and scientific articles. One such website is Academia.edu, which allows researchers and scholars to share their work with a global audience. Users can download PDF files of research papers, theses, and dissertations covering a wide range of subjects. Academia.edu also provides a platform for discussions and networking within the academic community. When it comes to downloading Introduction To Aircraft Performance Selection And Design free PDF files of magazines, brochures, and catalogs, Issuu is a popular choice. This digital publishing platform hosts a vast collection of publications from around the world. Users can search for specific titles or explore various categories and genres. Issuu offers a seamless reading experience with its user-friendly interface and allows users to download PDF files for offline reading. Apart from dedicated platforms, search engines also play a crucial role in finding free PDF files. Google, for instance, has an advanced search feature that allows users to filter results by file type. By specifying the file type as "PDF," users can find websites that offer free PDF downloads on a specific topic. While downloading Introduction To Aircraft Performance Selection And Design free PDF files is convenient, its important to note that copyright laws must be respected. Always ensure that the PDF files you download are legally available for free. Many authors and publishers voluntarily provide free PDF versions of their work, but its essential to be cautious and verify the authenticity of the source before downloading Introduction To Aircraft Performance Selection And Design. In conclusion, the internet offers

numerous platforms and websites that allow users to download free PDF files legally. Whether its classic literature, research papers, or magazines, there is something for everyone. The platforms mentioned in this article, such as Project Gutenberg, Open Library, Academia.edu, and Issuu, provide access to a vast collection of PDF files. However, users should always be cautious and verify the legality of the source before downloading Introduction To Aircraft Performance Selection And Design any PDF files. With these platforms, the world of PDF downloads is just a click away.

FAQs About Introduction To Aircraft Performance Selection And Design Books

1. Where can I buy Introduction To Aircraft Performance Selection And Design books? Bookstores: Physical bookstores like Barnes & Noble, Waterstones, and independent local stores. Online Retailers: Amazon, Book Depository, and various online bookstores offer a wide range of books in physical and digital formats.
2. What are the different book formats available? Hardcover: Sturdy and durable, usually more expensive. Paperback: Cheaper, lighter, and more portable than hardcovers. E-books: Digital books available for e-readers like Kindle or software like Apple Books, Kindle, and Google Play Books.
3. How do I choose a Introduction To Aircraft Performance Selection And Design book to read? Genres: Consider the genre you enjoy (fiction, non-fiction, mystery, sci-fi, etc.). Recommendations: Ask friends, join book clubs, or explore online reviews and recommendations. Author: If you like a particular author, you might enjoy more of their work.
4. How do I take care of Introduction To Aircraft Performance Selection And Design books? Storage: Keep them away from direct sunlight and in a dry environment. Handling: Avoid folding pages, use bookmarks, and handle them with clean hands. Cleaning: Gently dust the covers and pages occasionally.
5. Can I borrow books without buying them? Public Libraries: Local libraries offer a wide range of books for borrowing. Book Swaps: Community book exchanges or online platforms where people exchange books.
6. How can I track my reading progress or manage my book collection? Book Tracking Apps: Goodreads, LibraryThing, and Book Catalogue are popular apps for tracking your reading progress and managing book collections. Spreadsheets: You can create your own spreadsheet to track books read, ratings, and other details.
7. What are Introduction To Aircraft Performance Selection And Design audiobooks, and where can I find them? Audiobooks: Audio recordings of books, perfect for listening while commuting or multitasking. Platforms: Audible, LibriVox, and Google Play Books offer a wide selection of audiobooks.
8. How do I support authors or the book industry? Buy Books: Purchase books from authors or independent bookstores.

Introduction To Aircraft Performance Selection And Design

Reviews: Leave reviews on platforms like Goodreads or Amazon. Promotion: Share your favorite books on social media or recommend them to friends.

9. Are there book clubs or reading communities I can join? Local Clubs: Check for local book clubs in libraries or community centers. Online Communities: Platforms like Goodreads have virtual book clubs and discussion groups.
10. Can I read Introduction To Aircraft Performance Selection And Design books for free? Public Domain Books: Many classic books are available for free as they're in the public domain. Free E-books: Some websites offer free e-books legally, like Project Gutenberg or Open Library.

Find Introduction To Aircraft Performance Selection And Design :

konnakol the history and development of solkattu the

la foire aux cochons lectures amoureuses t

kacon

kriminologji me penologji

la gordura no es su culpa descubra su tipo metabolico y liberese de las dietas para siempre spanish edition

kannada nataka kathegalu

john sterman business dynamics student solutions

~~kuhn fe 302 g parts~~

laguna dete 44 tom rob smit knjige o kojima se pri a

~~keeping corner kashmira sheth~~

knights 24 hour trainer microsoft sql server 2008 integration services

jon rogawski calculus second edition

karma 1 donna augustine

~~laboratory manual human anatomy physiology wood~~

kaeslin top down digital vlsi design pdf

Introduction To Aircraft Performance Selection And Design :

pdf of mobile computing faadooengineers - Jul 25 2022

web oct 20 2015 i need a book of mobile computing by ashok talukdar urjently similar threads mobile computing app pdf of mobile computing mobile computing

ashok talukdar mobile computing stage gapinc com - Apr 21 2022

web ashok talukdar mobile computing downloaded from stage gapinc com by guest sara jase fungi as bioremediators morgan claypool publishers the second edition of

ashok talukdar mobile computing - May 23 2022

web we have enough money ashok talukdar mobile computing and numerous books collections from fictions to scientific research in any way in the midst of them is this

download mobile computing technology applications and - Sep 07 2023

web mobile computing technology applications and service creation author hasan et al talukder asoke k ahmed language english isbn 9780070144576 year

ashok talukdar mobile computing canvas edusynch com - Oct 28 2022

web ashok talukdar mobile computing 3 3 at the same time offering a much reduced environmental impact introduction to information retrieval springer this book offers an

ashok talukdar mobile computing apidev sharkexperience com - Jun 23 2022

web 2 ashok talukdar mobile computing 2021 12 29 extensive references are also provided for those who opt to delve more deeply into specific topics computer networks and

mobile computing 2e asoke k talukdar google books - Oct 08 2023

web jul 10 2010 asoke k talukdar mcgraw hill education india pvt limited jul 10 2010 mobile computing 676 pages mobile computing technology addresses challenges

biblio mobile computing technology applications and - Mar 01 2023

web find the best prices on mobile computing technology applications and service creation 2nd edition by talukder asoke k ahmed hasan et al at biblio paperback 2010

mobile computing technology applications and - Apr 02 2023

web mobile computing technology applications and service creation 2nd edn talukder asoke k ahmed hasan yavagal roopa amazon in books

ashok talukdar mobile computing store kawan equipment - Mar 21 2022

web ashok talukdar mobile computing is open in our digital library an online entry to it is set as public thus you can download it instantly our digital library saves in combined

mobile computing by asoke k talukder 9780070144576 - Sep 26 2022

web 2 mobile computing architecture 3 mobile computing through telephony 4 emerging technologies 5 global system for mobile communications gsm 6 short message

mobile computing second edition amazon com - Jul 05 2023

web jul 1 2017 mobile computing second edition asoke k talukder hasan ahmed roopa r yavagal on amazon com free shipping on qualifying offers mobile computing

mobile computing asoke k talukder roopa r yavagal asoke - Aug 06 2023

web jan 1 2005 k talukder roopa r yavagal asoke k talukder this book covers all the communication technologies starting from first generation to third generation cellular

ashok talukdar mobile computing ai classmonitor com - Jan 19 2022

web mobile computing 2e pervasive computing a networking perspective and future directions artificial intelligence in education smart trends in information technology

mobile computing asoke k talukdar google books - Feb 17 2022

web asoke k talukdar tata mcgraw hill education mobile computing technology addresses challenges that enable the realization of the global village concept where people can

pdf of mobile computing - Aug 26 2022

web oct 13 2015 i need a book of mobile computing by ashok talukdar urjently forum faadoo engineers zone for students in engineering colleges engineering ebooks

mobile computing technology application and service creation - Nov 28 2022

web mobile computing technology application and service creation by asoke k talukder hasan ahmed and roopa yavagal write a review isbn 9780070144576 publisher

mobile computing technology applications and service - May 03 2023

web nov 16 2006 this book provides a detailed survey of the technologies delivering true mobile computing on both the service creation and device fronts this book guides

mobile computing technology applications and service creation - Jan 31 2023

web summary provides a survey of the technologies delivering mobile computing on both the service creation and device fronts this book guides communications professionals and

asoke k talukder wiki golden - Dec 30 2022

web asoke k talukder is a physicist computer scientist and a geneticist he contributed in the field of omic sciences data sciences knowledge discovery mobile computing

mobile computing asoke k talukder hasan - Dec 18 2021

web mobile computing asoke k talukder hasan ahmed roopa r yavagal mcgraw hill quantity share now authors name asoke k talukder hasan

[mobile computing buy mobile computing by talukder asoke k](#) - Jun 04 2023

web mobile computing by talukder asoke k from flipkart com only genuine products 30 day replacement guarantee free shipping cash on delivery

mine bursaries 2015 namibia help environment harvard edu - Jun 12 2023

web mine bursaries 2015 namibia the palgrave handbook of teacher education research mar 26 2022 this handbook presents a timeless comprehensive and up to date

mine bursaries 2015 namibia pdf pdf voto uneal edu - Aug 14 2023

web enter the realm of mine bursaries 2015 namibia pdf a mesmerizing literary masterpiece penned by a distinguished author guiding readers on a profound journey to unravel the

[list of bursaries in namibia 2023 2024](#) - Sep 03 2022

web here are some of the list of bursaries in namibia bank of namibia bursaries university of namibia bursaries rossing bursaries social security commission

mine bursaries 2015 namibia copy pqr uiaf gov co - Jan 27 2022

web mine bursaries 2015 namibia is available in our digital library an online access to it is set as public so you can get it instantly our books collection spans in multiple countries

mine bursaries 2015 namibia uniport edu ng - Oct 04 2022

web apr 12 2023 mine bursaries 2015 namibia 2 9 downloaded from uniport edu ng on april 12 2023 by guest contributory negligence in the twenty first century james

rossing bursaries in namibia 2023 2024 nafacts com - Mar 09 2023

web jul 1 2017 pointbreak namibia bursaries burmeister and partners pty ltd namibia bursaries tertiary education assistance namibia bursaries namdeb bursary

mine bursaries 2015 namibia uniport edu ng - Aug 02 2022

web jul 4 2023 mine bursaries 2015 namibia 2 10 downloaded from uniport edu ng on july 4 2023 by guest sub saharan africa it is the result of detailed surveys and case studies

[mine bursaries 2015 namibia gcampp licenses meras gov sa](#) - Oct 24 2021

web bursaries for 2015 in namibia elusya de bursaries debmarine namibia ael mining engineering bursary 2015 puff and pass first national bank bursaries fnb bursary

mine bursaries 2015 namibia gcampp licenses meras gov sa - Nov 05 2022

web bursaries mining qualifications authority mqa 2015 bursary recipients lawsocietynamibia org bursaries 2015 in namibia scholpp lab de rossing bursaries in namibia 2018

pdf mine bursaries 2015 namibia cyberlab sudt edu sg - Jul 13 2023

web mine bursaries 2015 namibia african economic outlook 2016 sustainable cities and structural transformation dec 08
2020 this report presents the continent s current

mine bursaries 2015 namibia wrbb neu edu - Jul 01 2022

web comprehending as competently as bargain even more than supplementary will manage to pay for each success adjacent
to the pronouncement as with ease as acuteness of this

mine bursaries 2015 namibia do sgp urbn com - Jan 07 2023

web mine bursaries 2015 namibia mine bursaries 2015 namibia de beers marine namibia scholarships sun ac za newmont
mining south africa bursaries hardrock designs co

list of bursaries in namibia 2023 2024 nafacts com - May 31 2022

web ohlthaver and list ol bursaries kpmg namibia bursaries de beers marine namibia scholarships and bursaries roads
authority namibia bursaries environmental

list of bursaries in namibia 2023 2024 ugfacts net - Mar 29 2022

web list of bursaries in namibia 2023 2024 list of bursaries in namibia 2023 2024 list of bursaries in namibia 2023 2024
nedbank namibia bursaries 2023 2024 ugfacts net - Sep 22 2021

web jul 1 2017 investing in your future as the bank that makes thing happen we re looking for people who ve made things
happen for themselves but could use some extra help each

mine bursaries 2015 namibia enerstat energy gov mv - Feb 08 2023

web ael mining engineering bursary 2015 puff and pass may 1st 2018 puff and pass provides a listing of the latest
information about bursaries and internships for

namdeb bursaries 2023 2024 nafacts com - Dec 06 2022

web jul 1 2017 namdeb bursaries 2023 2024 the namdeb bursary scheme initially started in 1978 and was formalised during
1979 when six bursars in the fields of engineering

mine bursaries 2015 namibia uniport edu ng - Feb 25 2022

web jul 1 2023 mine bursaries 2015 namibia 1 10 downloaded from uniport edu ng on july 1 2023 by guest mine bursaries
2015 namibia as recognized adventure as without

mine bursaries 2015 namibia marketing isync io - Apr 10 2023

web mine bursaries 2015 namibia downloaded from marketing isync io by guest koch briana what works in girls education
unesco this nine country study of higher

mine bursaries 2015 namibia uniport edu ng - May 11 2023

web mine bursaries 2015 namibia is available in our digital library an online access to it is set as public so you can get it instantly our digital library saves in multiple countries

mine bursaries 2015 namibia uniport edu ng - Apr 29 2022

web feb 19 2023 mine bursaries 2015 namibia 1 10 downloaded from uniport edu ng on february 19 2023 by guest mine bursaries 2015 namibia when somebody should go

mine bursaries 2015 namibia uniport edu ng - Dec 26 2021

web may 24 2023 mine bursaries 2015 namibia 2 14 downloaded from uniport edu ng on may 24 2023 by guest technical challenges facing maritime industries and to place them

mine bursaries 2015 namibia uniport edu ng - Nov 24 2021

web mine bursaries 2015 namibia 1 9 downloaded from uniport edu ng on may 10 2023 by guest mine bursaries 2015 namibia thank you definitely much for downloading mine

haynes saxophone manual the step by step guide to set up - Jun 12 2023

web haynes saxophone manual the step by step guide to set up care and maintenance responsibility stephen howard imprint sparkford haynes 2009 physical description 164 p ill col 27 cm at the library music library closed today stacks more options find it at other libraries via worldcat description creators contributors author creator

haynes saxophone manual 2015 reprint the step by step - Mar 09 2023

web haynes saxophone manual 2015 reprint the step by step guide to set up care and maintenance howard stephen amazon de books

haynes saxophone manual clevedon music shop - Sep 15 2023

web haynes saxophone manual 22 99 the step by step guide to set up care and maintenance the saxophone is arguably the most iconic of all instruments but with its graceful form and soulful tone it s easy to forget that it s still a machine

the new haynes saxophone manual by stephen howard - May 11 2023

web one of the most reputable trusted repair techs stephen howard has just spent 2 years working on a new resource book for saxophone players the haynes saxophone manual choosing setting up and maintaining a saxophone is the first book of its kind a book for saxophone players who want to know how to keep their instruments in top playing

haynes manual wikipedia - Jan 27 2022

web the haynes owner s workshop manuals commonly known as haynes manuals are a series of practical manuals from the british publisher haynes publishing group the series primarily focuses upon the maintenance and repair of automotive vehicles covering a wide range of makes and models 300 models of cars and 130 models of motorcycles the

haynes saxophone manual questions answers - Feb 25 2022

web haynes saxophone manual questions answers questions and answers on this page you ll find answers to questions sent in by readers or prospective buyers of the haynes saxophone manual if you have any questions relating to the content of the book or as a result of applying any of the techniques please feel free to drop me a line

saxophone manual the step by step guide to set up care and - Jul 13 2023

web saxophone manual the step by step guide to set up care and maintenance hardcover 5 nov 2009 by stephen howard author 4 7 313 ratings see all formats and editions

saxophone manual choosing setting up and maintaining a saxophone - Apr 10 2023

web sep 15 2015 this book is clearly written to span the entire range of expertise with the saxophone from the prospective first time buyer of a sax to the technically proficient handyman that is on the verge of giving a go to stripping and rebuilding a sax that does not have any mechanical structural damage

[302 found archive org](#) - Mar 29 2022

web 302 found nginx 1 25 1

[haynes saxophone manual an update cafesaxophone forum](#) - Feb 08 2023

web may 4 2022 i have today had a confirmation letter from haynes informing me that the rights reversion for the sax and clarinet manuals has gone through what this means is that all rights to the books are back in my hands i m in the process of establishing precisely what that means with regards to

haynes saxophone manual sax on the web forum - Jul 01 2022

web jan 8 2012 where the car books are dry and purely informational steve howards haynes sax manual is a very good read too the witty narrative and clear photos make for more than just a heres what it is heres how you fix it type of read very highly reccomended

haynes saxophone manual sax on the web forum - May 31 2022

web jun 1 2011 last week i ordered on amazon the haynes saxophone manual couple of days later it arrived home i must say it s a really handy book lots of tips well explained i can recommend it to everybody who wants to work a little bit on their sax or just know the how do s don ts

haynes saxophone manual 2015 reprint the step by step - Dec 06 2022

web howard stephen haynes saxophone manual 2015 reprint the step by step guide to set up care and maintenance jetzt kaufen kundrezensionen und sterne

haynes saxophone clarinet manuals - Aug 02 2022

web haynes saxophone and clarinet manuals the haynes saxophone manual is now out of print see here for further details

haynes saxophone manual page 6 sax on the web forum - Oct 04 2022

Introduction To Aircraft Performance Selection And Design

web may 19 2022 here s info from stephen howard himself at the haynes saxophone manual update june 2022 i have some potentially very exciting news i have recently secured the rights to the saxophone manual along with the design files or films as they re known in the trade

[review haynes saxophone manual barry s saxophone and](#) - Nov 05 2022

web nov 30 2012 the haynes saxophone manual this is a book i had heard about for quite a while but had never taken the time to purchase even though i was very interested in getting it

[the haynes saxophone manual](#) - Aug 14 2023

web the haynes saxophone manual it is with some sadness that i have to announce that the haynes saxophone manual is no more since it first hit the shelves in 2009 it has sold around 12 000 copies worldwide not including translations in japanese and korean

[haynes saxophone manual sax on the web forum](#) - Sep 03 2022

web nov 5 2009 it s essentially a maintenance book there s not much point covering full repairs as i ve never been convinced that a manual is an effective way of learning the craft and for the vast majority of players it simply won t be an economic proposition to kit themselves out with the necessary tools

saxophone manual new ed the step by step guide to set up - Jan 07 2023

web apr 23 2015 saxophone manual new ed the step by step guide to set up care and maintenance hardcover 23 april 2015 by stephen howard author 4 7 313 ratings see all formats and editions

[haynes saxophone manual page 4 sax on the web forum](#) - Apr 29 2022

web jan 18 2010 haynes saxophone manual jump to latest follow 38059 views 122 replies 57 participants last post by dreadnet nov 27 2022 h hr7star discussion starter nov 4 2009 by our very own stephen howard to be published in november can t pre order but i ve got to get one as i ve had a few of the car ones