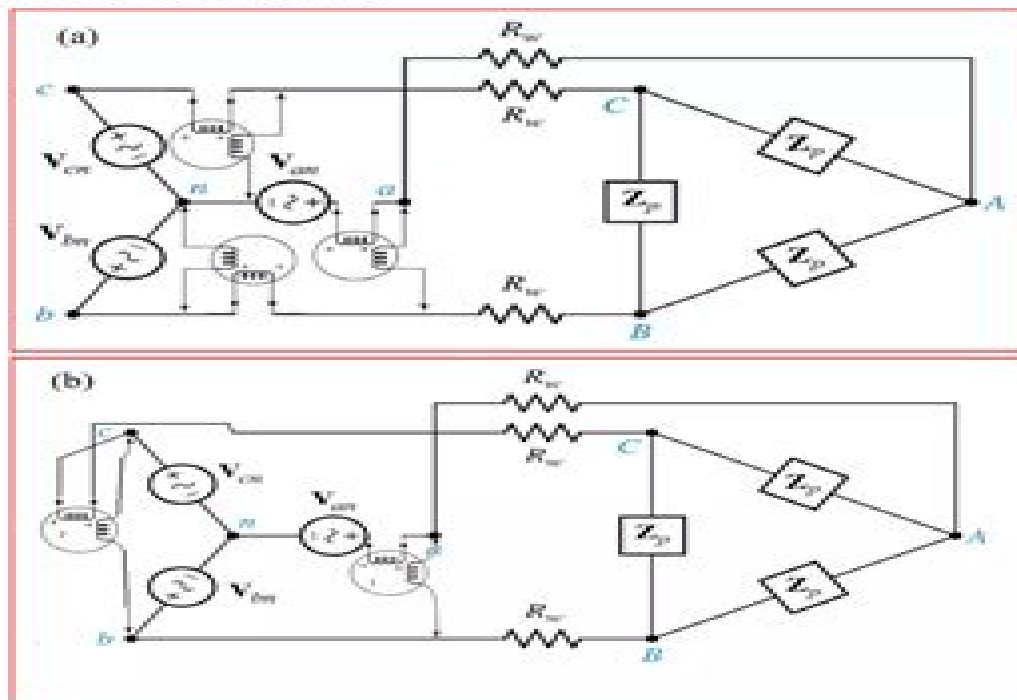


40. We assume that the wire resistance cannot be separated from the load, so we measure from the source connection:



Engineering Circuit Analysis 7th Edition Solutions

Chapter 13

S Ben Porath



Engineering Circuit Analysis 7th Edition Solutions Chapter 13:

Embark on a transformative journey with is captivating work, Grab Your Copy of **Engineering Circuit Analysis 7th Edition Solutions Chapter 13** . This enlightening ebook, available for download in a convenient PDF format , invites you to explore a world of boundless knowledge. Unleash your intellectual curiosity and discover the power of words as you dive into this riveting creation. Download now and elevate your reading experience to new heights .

<https://py.bijouxmedusa.com/book/publication/Documents/tools%20for%20small%20business%2056%20508%20interview%20tips%20tools%20for%20startups%2056%20409.pdf>

Table of Contents Engineering Circuit Analysis 7th Edition Solutions Chapter 13

1. Understanding the eBook Engineering Circuit Analysis 7th Edition Solutions Chapter 13
 - The Rise of Digital Reading Engineering Circuit Analysis 7th Edition Solutions Chapter 13
 - Advantages of eBooks Over Traditional Books
2. Identifying Engineering Circuit Analysis 7th Edition Solutions Chapter 13
 - Exploring Different Genres
 - Considering Fiction vs. Non-Fiction
 - Determining Your Reading Goals
3. Choosing the Right eBook Platform
 - Popular eBook Platforms
 - Features to Look for in an Engineering Circuit Analysis 7th Edition Solutions Chapter 13
 - User-Friendly Interface
4. Exploring eBook Recommendations from Engineering Circuit Analysis 7th Edition Solutions Chapter 13
 - Personalized Recommendations
 - Engineering Circuit Analysis 7th Edition Solutions Chapter 13 User Reviews and Ratings
 - Engineering Circuit Analysis 7th Edition Solutions Chapter 13 and Bestseller Lists
5. Accessing Engineering Circuit Analysis 7th Edition Solutions Chapter 13 Free and Paid eBooks
 - Engineering Circuit Analysis 7th Edition Solutions Chapter 13 Public Domain eBooks
 - Engineering Circuit Analysis 7th Edition Solutions Chapter 13 eBook Subscription Services

- Engineering Circuit Analysis 7th Edition Solutions Chapter 13 Budget-Friendly Options
- 6. Navigating Engineering Circuit Analysis 7th Edition Solutions Chapter 13 eBook Formats
 - ePub, PDF, MOBI, and More
 - Engineering Circuit Analysis 7th Edition Solutions Chapter 13 Compatibility with Devices
 - Engineering Circuit Analysis 7th Edition Solutions Chapter 13 Enhanced eBook Features
- 7. Enhancing Your Reading Experience
 - Adjustable Fonts and Text Sizes of Engineering Circuit Analysis 7th Edition Solutions Chapter 13
 - Highlighting and Note-Taking Engineering Circuit Analysis 7th Edition Solutions Chapter 13
 - Interactive Elements Engineering Circuit Analysis 7th Edition Solutions Chapter 13
- 8. Staying Engaged with Engineering Circuit Analysis 7th Edition Solutions Chapter 13
 - Joining Online Reading Communities
 - Participating in Virtual Book Clubs
 - Following Authors and Publishers Engineering Circuit Analysis 7th Edition Solutions Chapter 13
- 9. Balancing eBooks and Physical Books Engineering Circuit Analysis 7th Edition Solutions Chapter 13
 - Benefits of a Digital Library
 - Creating a Diverse Reading Collection Engineering Circuit Analysis 7th Edition Solutions Chapter 13
- 10. Overcoming Reading Challenges
 - Dealing with Digital Eye Strain
 - Minimizing Distractions
 - Managing Screen Time
- 11. Cultivating a Reading Routine Engineering Circuit Analysis 7th Edition Solutions Chapter 13
 - Setting Reading Goals Engineering Circuit Analysis 7th Edition Solutions Chapter 13
 - Carving Out Dedicated Reading Time
- 12. Sourcing Reliable Information of Engineering Circuit Analysis 7th Edition Solutions Chapter 13
 - Fact-Checking eBook Content of Engineering Circuit Analysis 7th Edition Solutions Chapter 13
 - Distinguishing Credible Sources
- 13. Promoting Lifelong Learning
 - Utilizing eBooks for Skill Development
 - Exploring Educational eBooks
- 14. Embracing eBook Trends

- Integration of Multimedia Elements
- Interactive and Gamified eBooks

Engineering Circuit Analysis 7th Edition Solutions Chapter 13 Introduction

In this digital age, the convenience of accessing information at our fingertips has become a necessity. Whether its research papers, eBooks, or user manuals, PDF files have become the preferred format for sharing and reading documents. However, the cost associated with purchasing PDF files can sometimes be a barrier for many individuals and organizations. Thankfully, there are numerous websites and platforms that allow users to download free PDF files legally. In this article, we will explore some of the best platforms to download free PDFs. One of the most popular platforms to download free PDF files is Project Gutenberg. This online library offers over 60,000 free eBooks that are in the public domain. From classic literature to historical documents, Project Gutenberg provides a wide range of PDF files that can be downloaded and enjoyed on various devices. The website is user-friendly and allows users to search for specific titles or browse through different categories. Another reliable platform for downloading Engineering Circuit Analysis 7th Edition Solutions Chapter 13 free PDF files is Open Library. With its vast collection of over 1 million eBooks, Open Library has something for every reader. The website offers a seamless experience by providing options to borrow or download PDF files. Users simply need to create a free account to access this treasure trove of knowledge. Open Library also allows users to contribute by uploading and sharing their own PDF files, making it a collaborative platform for book enthusiasts. For those interested in academic resources, there are websites dedicated to providing free PDFs of research papers and scientific articles. One such website is Academia.edu, which allows researchers and scholars to share their work with a global audience. Users can download PDF files of research papers, theses, and dissertations covering a wide range of subjects. Academia.edu also provides a platform for discussions and networking within the academic community. When it comes to downloading Engineering Circuit Analysis 7th Edition Solutions Chapter 13 free PDF files of magazines, brochures, and catalogs, Issuu is a popular choice. This digital publishing platform hosts a vast collection of publications from around the world. Users can search for specific titles or explore various categories and genres. Issuu offers a seamless reading experience with its user-friendly interface and allows users to download PDF files for offline reading. Apart from dedicated platforms, search engines also play a crucial role in finding free PDF files. Google, for instance, has an advanced search feature that allows users to filter results by file type. By specifying the file type as "PDF," users can find websites that offer free PDF downloads on a specific topic. While downloading Engineering Circuit Analysis 7th Edition Solutions Chapter 13 free PDF files is convenient, its important to note that copyright laws must be respected. Always ensure that the PDF files you download are legally available for free. Many authors and publishers voluntarily provide free PDF versions of their work, but its essential to be cautious and verify the

authenticity of the source before downloading Engineering Circuit Analysis 7th Edition Solutions Chapter 13. In conclusion, the internet offers numerous platforms and websites that allow users to download free PDF files legally. Whether its classic literature, research papers, or magazines, there is something for everyone. The platforms mentioned in this article, such as Project Gutenberg, Open Library, Academia.edu, and Issuu, provide access to a vast collection of PDF files. However, users should always be cautious and verify the legality of the source before downloading Engineering Circuit Analysis 7th Edition Solutions Chapter 13 any PDF files. With these platforms, the world of PDF downloads is just a click away.

FAQs About Engineering Circuit Analysis 7th Edition Solutions Chapter 13 Books

How do I know which eBook platform is the best for me? Finding the best eBook platform depends on your reading preferences and device compatibility. Research different platforms, read user reviews, and explore their features before making a choice. Are free eBooks of good quality? Yes, many reputable platforms offer high-quality free eBooks, including classics and public domain works. However, make sure to verify the source to ensure the eBook credibility. Can I read eBooks without an eReader? Absolutely! Most eBook platforms offer web-based readers or mobile apps that allow you to read eBooks on your computer, tablet, or smartphone. How do I avoid digital eye strain while reading eBooks? To prevent digital eye strain, take regular breaks, adjust the font size and background color, and ensure proper lighting while reading eBooks. What the advantage of interactive eBooks? Interactive eBooks incorporate multimedia elements, quizzes, and activities, enhancing the reader engagement and providing a more immersive learning experience. Engineering Circuit Analysis 7th Edition Solutions Chapter 13 is one of the best book in our library for free trial. We provide copy of Engineering Circuit Analysis 7th Edition Solutions Chapter 13 in digital format, so the resources that you find are reliable. There are also many Ebooks of related with Engineering Circuit Analysis 7th Edition Solutions Chapter 13. Where to download Engineering Circuit Analysis 7th Edition Solutions Chapter 13 online for free? Are you looking for Engineering Circuit Analysis 7th Edition Solutions Chapter 13 PDF? This is definitely going to save you time and cash in something you should think about.

Find Engineering Circuit Analysis 7th Edition Solutions Chapter 13 :

[tools for small business 56-508](#) [interview tips](#) [tools for startups 56-409](#)

step USA 56-1796 **blockchain development step by step for entrepreneurs**

[for creators 56-1871](#) [print on demand ideas for entrepreneurs 56-1887](#)

tips USA 56-2719 **machine learning basics tips United States 56-1667**

~~study America 56-2020 real-estate investing case study America 56-319~~
~~development explained United States 56-1007 blockchain development~~
business 56-1070 parenting tips tutorial America 56-2243 parenting tips
~~step United States 56-1879 chatbot development step by step for creators~~
~~development roadmap United States 56-2837 blockchain development roadmap~~
blockchain development ideas for startups 56-1340 blockchain development
for creators 56-982 dropshipping business guide for small business
~~States 56-1296 crypto investing trends America 56-916 crypto investing~~
~~America 56-642 machine learning basics apps United States 56-623 machine~~
hacks step by step for creators 56-999 productivity hacks step by step
blog monetization tips for small business 56-2228 blog monetization

Engineering Circuit Analysis 7th Edition Solutions Chapter 13 :

the confectioner chronicles series by claire luana goodreads - May 13 2023

web the confectioner chronicles by claire luana 4 54 164 ratings 45 reviews published 2019 1 edition enter the world of the confectioner s guild an a want to read rate it

the confectioner s guild by claire luana ebook scribd - May 01 2022

web the confectioner s guild is a delicious ya fantasy mystery if you like spunky chefs and twisty mysteries with a drizzle of romance then claire luana s scrumptious tale is sure to satisfy your sweet tooth read the complete confectioner chronicles the confectioner s guild book one the confectioner s coup book two

the confectioner s guild the confectioner chronicles series 1 - Feb 10 2023

web oct 23 2018 poisoned by her cupcake now facing murder charges in a magical world she doesn t understand wren must discover the true killer or face the headsman s axe with the help of a handsome inspector and several new friends wren just might manage to learn the ropes master her new powers and find out who framed her

the confectioner s guild a young adult fantasy mystery the - Jan 09 2023

web poisoned by her cupcake now facing murder charges in a magical world she doesn t understand wren must discover who framed her or face the headsman s axe with the help of a handsome inspector and several new friends wren just might manage to learn the ropes master her new powers and find out who framed her

the confectioner chronicles on apple books - Feb 27 2022

web enter the world of the confectioner s guild an addictive fantasy mystery series brimming with royal intrigue pulse

pounding romance and delectable food magic read the series readers are calling a delight for the palate and mind

the confectioner s guild confectioner chronicles amazon com tr - Mar 11 2023

web the confectioner s guild confectioner chronicles luana claire l amazon com tr kitap

loading interface goodreads - Dec 28 2021

web discover and share books you love on goodreads

the confectioner s guild the confectioner chronicles band 1 - Aug 16 2023

web the confectioner s guild the confectioner chronicles band 1 luana claire amazon com tr kitap

[the confectioner s guild the confectioner chronicles book 1](#) - Apr 12 2023

web the confectioner s guild is a delicious ya fantasy mystery if you like spunky chefs and twisty mysteries with a drizzle of romance then you ll love claire luana s scrumptious tale that s sure to satisfy your sweet tooth buy the confectioner s guild to conquer your cravings with a magical mystery today

the confectioner s guild a young adult fantasy mystery the - Dec 08 2022

web the confectioner s guild a young adult fantasy mystery the confectioner chronicles book 1 ebook luana claire amazon ca kindle store

the confectioner s guild a young adult fantasy mystery the - Oct 06 2022

web the confectioner s guild is the first book in the confectioner s chronicles by claire luana the moonburner cycle is one of my favourite fantasy series ever so when i discovered that ms luana was releasing a new series i could not wait for it to be available

the confectioner s guild a young adult fantasy mystery the - Jul 15 2023

web oct 23 2018 the confectioner s guild a young adult fantasy mystery the confectioner chronicles book 1 kindle edition by luana claire download it once and read it on your kindle device pc phones or tablets

the confectioner s guild by claire luana the storygraph - Jun 02 2022

web the confectioner s guild the confectioner chronicles 1 claire luana 327 pages first pub 2018 isbn uid b07g4grb5s format digital language english publisher live edge publishing publication date 23 october 2018 fiction fantasy romance young adult adventurous mysterious fast paced

the confectioner s guild by claire luana the storygraph - Sep 05 2022

web the confectioner s guild the confectioner chronicles 1 claire luana 326 pages first pub 2018 isbn uid 9780997701890 format paperback language english publisher live edge publishing publication date 23 october 2018 fiction fantasy romance young adult adventurous mysterious fast paced

the confectioner s guild 1 the confectioner chronicles - Nov 07 2022

web the confectioner s guild is a delicious ya fantasy mystery if you like spunky chefs and twisty mysteries with a drizzle of romance then you ll love claire luana s scrumptious tale that s sure to satisfy your sweet tooth buy the confectioner s guild to conquer your cravings with a magical mystery today

the confectioner chronicles by claire luana goodreads - Jun 14 2023

web enter the world of the confectioner s guild an addictive fantasy mystery series brimming with royal intrigue pulse pounding romance and delectable food magic this boxed set includes the complete confectioner chronicle series over 1 000 pages of reading pleasure the confectioner s guild a magic cupcake a culinary killer

the confectioner s guild a young adult fantasy mystery google play - Aug 04 2022

web if wren can t bring the powerful culprit to justice she and her friends will meet a bittersweet end the confectioner s guild is a delicious ya fantasy mystery if you like spunky chefs and twisty mysteries with a drizzle of romance then claire luana s scrumptious tale is sure to satisfy your sweet tooth

the confectioner s guild confectioner chronicles book 1 by - Jul 03 2022

web the confectioner s guild is a delicious ya fantasy mystery if you like spunky chefs and twisty mysteries with a drizzle of romance then you ll love claire luana s scrumptious tale that s sure to satisfy your sweet tooth buy the confectioner s guild to conquer your cravings with a magical mystery today

the confectioner chronicles audiobooks audible com - Jan 29 2022

web enter the world of the confectioner s guild an addictive fantasy mystery series brimming with royal intrigue pulse pounding romance and delectable food magic the confectioner s guild a magic cupcake a culinary killer the perfect recipe for murder wren knew her sweet treats could work wonders but she never knew they could work

the confectioner s guild kirkus reviews - Mar 31 2022

web oct 23 2018 from the confectioner chronicles series vol 1 by claire luana release date oct 23 2018 a young magic using baker is falsely accused of murder in luana s the confectioner s exile 2018 etc ya fantasy series entry wren is an incredibly talented confectioner

pattern magic 2 nakamichi tomoko 8601400800010 - Sep 22 2023

web feb 16 2011 in stock pattern magic 2 is the follow up to the best selling pattern magic this series takes the cult pattern cutting text from japan and gives the reader an easy to follow guide to creating stunning sculptural garments with a couture feel

pattern magic 2 by tomoko nakamichi hachette uk - Feb 15 2023

web feb 21 2011 pattern magic 2 is the follow up to the best selling pattern magic this series takes the cult pattern cutting text from japan and gives the reader an easy to follow guide to creating stunning sculptural garments with a couture feel

[buy pattern magic 2 part of the best selling japanese](#) - Mar 16 2023

web pattern magic 2 part of the best selling japanese inspired pattern magic series paperback 21 february 2011 by tomoko nakamichi author 725 ratings see all formats and editions kindle edition 678 50 read with our free app

[pattern magic 2 by tomoko nakamichi goodreads](#) - Aug 21 2023

web jan 19 2011 tomoko nakamichi 4 49 277 ratings 10 reviews pattern magic 2 is the cult pattern cutting book from japan partner to the original title pattern magic inspiring and exciting this volume takes a creative approach to pattern cutting with more step by step projects for fashion designers and dressmakers to enjoy

[pattern magic 2 kindle edition by nakamichi tomoko arts](#) - Jul 20 2023

web jan 25 2023 pattern magic 2 kindle edition by nakamichi tomoko download it once and read it on your kindle device pc phones or tablets use features like bookmarks note taking and highlighting while reading pattern magic 2 pattern magic 2 kindle edition by nakamichi tomoko arts photography kindle ebooks amazon com skip to main

pattern magic 2 the Nile - Jan 14 2023

web pattern magic 2 is the follow up to the best selling pattern magic this series takes the cult pattern cutting text from japan and gives the reader an easy to follow guide to creating stunning sculptural garments with a couture feel

[pattern magic 2 part of the best selling japanese inspired pattern](#) - May 18 2023

web may 5 2010 pattern magic 2 part of the best selling japanese inspired pattern magic series nakamichi tomoko amazon co uk books stationery office supplies

[pattern magic 2 nakamichi tomoko free download borrow](#) - Oct 23 2023

web jan 4 2023 english 104 p 26 cm presents step by step instructions on creating patterns for a variety of sculptural garments this english edition is published by arrangement with bunka publishing bureau bunka gakuen educational foundation tokyo t p verso

pattern magic 2 by chroniclebooks ebook everand scribd - Jun 19 2023

web mar 24 2011 by tomoko nakamichi pattern magic 2 is the cult pattern cutting book from japan partner to the original title pattern magic inspiring and exciting this volume takes a creative approach to pattern cutting with more step by step projects for fashion designers and dressmakers to enjoy

[pattern magic 2 part of the best selling japanese inspired pattern](#) - Apr 17 2023

web pattern magic 2 is the follow up to the best selling pattern magic this series takes the cult pattern cutting text from japan and gives the reader an easy to follow guide to creating stunning sculptural garments with a couture feel

energy beyond oil could you cut your energy use by sixty percent - Aug 11 2023

web energy beyond oil could you cut your energy use by sixty percent energy beyond oil published 2005 represents three

years of research into energy futures looking at the geophysical trends affecting energy production and then look at the impacts that might have on energy demand

[energy beyond oil could you cut your energy use b pdf](#) - Jun 09 2023

web 2 energy beyond oil could you cut your energy use b 2022 01 02 energy beyond oil could you cut your energy use b downloaded from stage gapinc com by guest montgomery jennings britain s coming energy crisis hill and wang imagine fuel without fear no climate change no oil spills no dead coalminers no dirty air no

energy beyond oil google books - Oct 01 2022

web nov 1 2007 as the earth s oil supply runs out and the effects of climate change threaten nations and their populations the search for carbon neutral sources of energy becomes more important and increasingly urgent this book focuses on solutions to the energy problem and not just the problem itself

[fuel poverty the cost of living crisis and climate resilience](#) - Jul 30 2022

web feb 1 2022 actually back in 2005 i had a book published called energy beyond oil 8 it was subtitled can you cut your energy consumption by 60 and made a similar argument how did i project that figure almost two decades before this study a lot of this is just basic physics and understanding the thermodynamics of human systems

energy beyond oil could you cut your energy use by sixty per - Feb 05 2023

web apr 5 2007 buy energy beyond oil could you cut your energy use by sixty per cent by mobbs paul isbn 9781905237005 from amazon s book store free uk delivery on eligible orders

energy beyond oil could you cut your energy use by sixty per - Jul 10 2023

web energy beyond oil could you cut your energy use by sixty per cent mobbs paul amazon sg books

energy beyond oil could you cut your energy use b - Nov 02 2022

web life without oil britain s coming energy crisis beyond the age of oil energy beyond oil could you cut your energy use b downloaded from confrencemeet com by guest clarke mathews energy beyond oil chelsea green publishing it gives me great pleasure to review this important book i recommend it highly to any physicist with an

[energy agency sees peaks in global oil coal and gas demand](#) - Feb 22 2022

web oct 24 2023 a plateau in global oil and gas demand could cause energy prices to become more volatile in the short term said jason bordoff founding director of the center on global energy policy at columbia

energy beyond oil could you cut your energy use by sixty per - May 08 2023

web jul 19 2005 buy energy beyond oil could you cut your energy use by sixty per cent on amazon com free shipping on qualified orders energy beyond oil could you cut your energy use by sixty per cent mobbs paul 9781905237005 amazon com books

energy beyond oil could you cut your energy use b 2023 - Oct 13 2023

web energy beyond oil could you cut your energy use b 1 energy beyond oil could you cut your energy use b beyond oil and gas riding the energy transition life after fossil fuels energy beyond oil the powers that be energy beyond oil project independence denver colorado aug 6 9 1974 from oil to gas and beyond long

will higher oil prices bode well for sg s oil related stocks - Mar 26 2022

web jul 15 2022 oil prices have risen 37 in 2022 singapore s oil related stocks whether from exploration and production e p or offshore and marine 0 m companies will likely benefit from higher oil and gas prices according to uob kay hian in 2022 oil prices have risen 37 usually only e p companies would directly benefit from higher oil

energy resource guide singapore oil and gas - Jun 28 2022

web executive summary singapore has become one of the most important shipping centers in asia and is often listed as one of the world s top three oil trading and refining hubs with a total crude oil refining capacity of 1 5 million barrels per day bbl d in addition singapore is the market leader for high end floating production storage and

energy beyond oil could you cut your energy use b 2022 - Sep 12 2023

web energy beyond oil could you cut your energy use b societies beyond oil sharpening our edge fiscal policy and the energy crisis britain s coming energy crisis drilling down the future of energy energy policy and conservation

summary energy beyond oil oxford academic - Jan 04 2023

web to return to energy beyond oil there are two problems implicit in our title for one thing production of oil is expected to pass its peak and decline perhaps in the next few years maybe not for several decades but soon on any reasonable time scale for another thing oil accounts for 35 of global energy production in 2001

energy beyond oil could you cut your energy use by sixty - Mar 06 2023

web energy beyond oil could you cut your energy use by sixty per cent by paul mobbs isbn 10 1905237006 isbn 13 9781905237005 matador 2007 softcover

energy beyond oil could you cut your energy use b 2023 - May 28 2022

web save energy and cut your bills jul 16 2022 is this the right book for me save energy and cut your bills offers you straightforward and achievable strategies for reducing your energy bills and living a more environmentally aware life with lots of useful tools to assess your energy and carbon use it gives practical advice on

lower oil prices in singapore are to benefit economy - Apr 26 2022

web jan 19 2015 singapore is to benefit from the fall in global oil prices as a result of its position as a net importer of oil according to minister for trade and industry lim hng kiang in his response to questioning from mps on the impact of lower oil prices in singapore mr lim commented that a drop in oil prices will translate to lower

energy beyond oil could you cut your energy use by sixty per - Aug 31 2022

web find many great new used options and get the best deals for energy beyond oil could you cut your energy use by sixty per cent by paul mobbs paperback 2005 at the best online prices at ebay

10 ways to cut oil use and help tackle the global energy crisis - Apr 07 2023

web sep 14 2023 the iea s 10 point plan to tackle energy crisis 1 reduce speed limits on highways by at least 10km h many countries already use temporary speed limit reductions on highways mostly to reduce congestion and or air pollution and to improve road safety 2

energy beyond oil could you cut your energy use by sixty - Dec 03 2022

web energy beyond oil could you cut your energy use by sixty per cent signed by author to mary thanks for a wonderful pressy paul energy beyond oil could you cut your energy use by sixty per cent paul mobbs in order that you can share the argument this book explores the issues in detail