

Var
Eqn.

VAR

VAR1

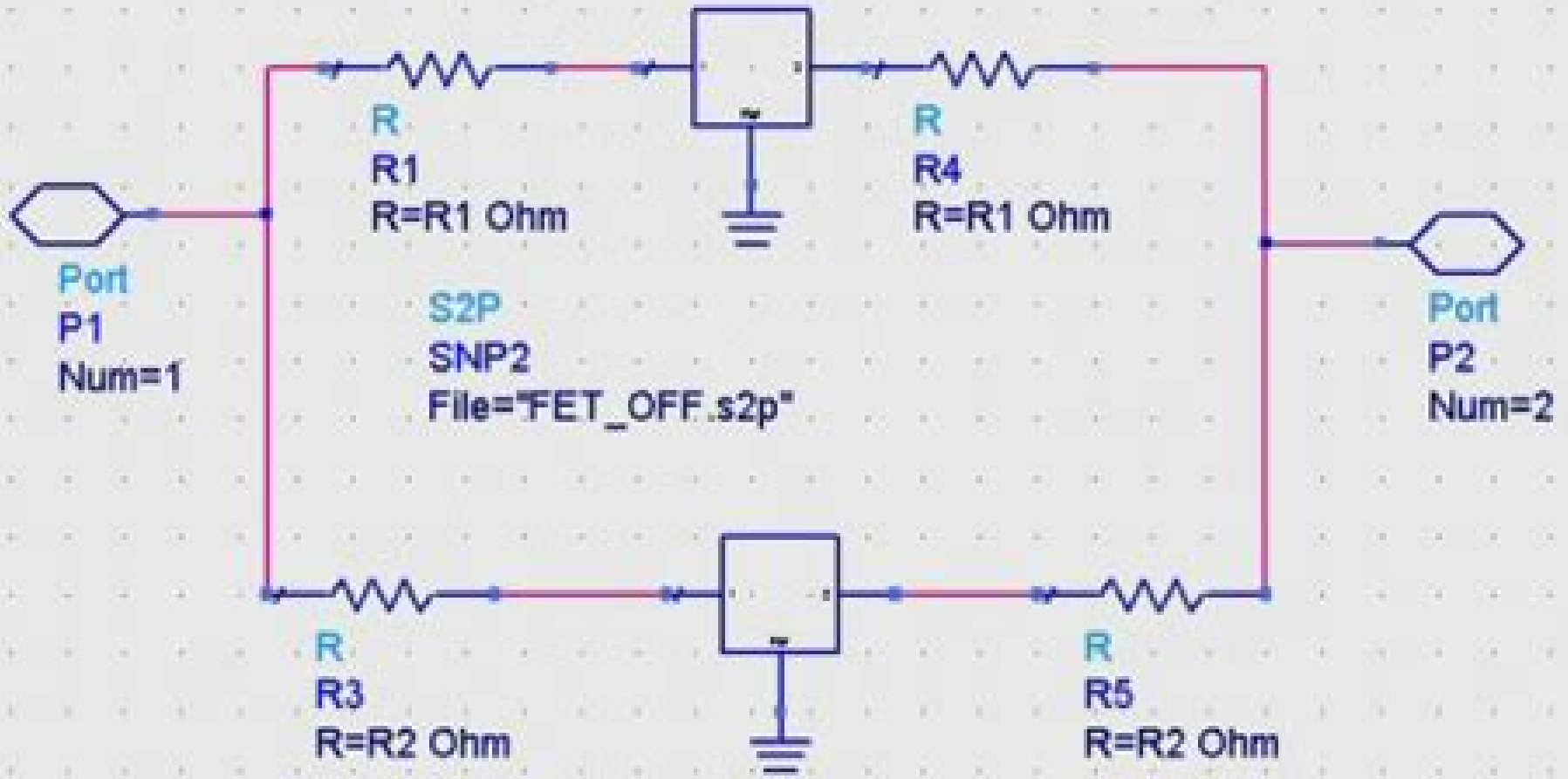
$$R1 = (1.000000001 - ON) / (0.000000001 + ON)$$

$$R2 = 1 / R1$$

S2P +

SNP1

File="FET_ON.s2p"



Example Circuit Using Ads 3 02

Yijin Wang



Example Circuit Using Ads 3 02:

Co-simulations of Microwave Circuits and High-Frequency Electromagnetic Fields Mei Song Tong,Xiao Yu Li,2024-07-03

This book aims to provide many advanced application topics for microwave circuits and high frequency electromagnetic EM fields by using advanced design system ADS and high frequency structure simulator HFSS as simulation platforms In particular it contains the latest multidisciplinary co simulation guidance on the design of relevant components and devices Currently the circuit field design and performance analysis and optimization strongly rely on various kinds of robust electronic design automation EDA software RF microwave engineers must grasp two or more types of related simulation design software ADS by Keysight and HFSS by Ansys are the representative for circuit simulations and for field and structural simulations of microwave devices respectively At present these two types of software are widely used in enterprises universities and research institutions The main purpose of this book is to enable readers who are interested in microwave engineering and applied electromagnetics to master the applications of these two tools It also helps readers expand their knowledge boundaries behind those types of software and deepen their understanding of developing interdisciplinary technologies by co simulations The book is divided into three parts The first part introduces the two latest versions of ADS and HFSS and helps readers better understand the basic principles and latest functions better It also advises how to choose appropriate simulation tools for different problems The second part mainly describes co simulations for high frequency EM fields microwave circuits antenna designs EM compatibility EMC and thermal and structural analyses It provides guides and advices on performing co simulations by ADS and HFSS incorporated with other types of software respectively The last part narrates the automation interfaces and script programming methods for co simulations It primarily deals with the Advanced Extension Language AEL Python Data Link PDL and MATLAB interface in ADS For HFSS it discusses VBScript IronPython scripting and Application Programming Interface APIs based on MATLAB Each topic contains practical examples to help readers understand so that they can gain a solid knowledge and skills regarding automated interfaces and scripting methods based on these kinds of software Concisely written in combination with practical examples this book is very suitable as a textbook in introductory courses on microwave circuit and EM simulations and also as a supplementary textbook in many courses on electronics microwave engineering communication engineering and related fields As well it can serve as a reference book for microwave engineers and researchers

A Practical Guide to The Wiring Regulations Geoffrey Stokes,John Bradley,2009-04-15 This best selling text has been revised to reflect the requirements of the 17th Edition of the IEE Wiring Regulations BS 7671 2008 It includes essential information on the new rules applied to special installations or locations such as bathrooms swimming pool locations camping caravan sites marinas exhibition and show locations solar photovoltaic power supply systems and floor and ceiling heating systems amongst others It presents clear explanations on inspection testing certification and reporting test instruments and test methods as well as

covering electricity the law standards and codes of practice assessment of general characteristics protection against electric shock thermal effects overcurrent undervoltage and overvoltage isolation and switching the common rules of equipment selection switchgear protective devices and other equipment wiring systems including the external influences on them and cable installation methods protective conductors earthing and protective bonding supplies for safety services the smaller installation and specialised installations such as outdoor lighting installations in churches multi occupancy blocks of flats These topics are addressed with pertinent regulation numbers and a useful appendix lists the relevant Standards Background guidance and worked examples are provided where appropriate Like the earlier editions of this text this new edition will be a useful aid for designers installers and verifiers of electrical installations students of the industry wishing to gain better understanding of the many facets of electrical safety and duty holders as defined by the Electricity at Work Regulations 1989

Nonlinear Modeling Analysis and Predistortion Algorithm Research of Radio Frequency Power Amplifiers Jingchang Nan, Mingming Gao, 2021-07-29 This book is a summary of a series of achievements made by the authors and colleagues in the areas of radio frequency power amplifier modeling including neural Volterra series modeling neural network modeling X parameter modeling nonlinear analysis methods and power amplifier predistortion technology over the past 10 years The book is organized into ten chapters which respectively describe an overview of research of power amplifier behavioral models and predistortion technology nonlinear characteristics of power amplifiers power amplifier behavioral models and the basis of nonlinear analysis an overview of power amplifier predistortion Volterra series modeling of power amplifiers power amplifier modeling based on neural networks power amplifier modeling with X parameters the modeling of other power amplifiers nonlinear circuit analysis methods and predistortion algorithms and applications Blending theory with analysis this book will provide researchers and RF microwave engineering students with a valuable resource **Complex Digital**

Hardware Design Istvan Nagy, 2024-05-09 This book is about how to design the most complex types of digital circuit boards used inside servers routers and other equipment from high level system architecture down to the low level signal integrity concepts It explains common structures and subsystems that can be expanded into new designs in different markets The book is targeted at all levels of hardware engineers There are shorter lower level introductions to every topic while the book also takes the reader all the way to the most complex and most advanced topics of digital circuit design layout design analysis and hardware architecture *Frontiers in Physics - Rising Stars Asia* Wenxiang Xu, Jinjin Li, Gang Zhang, Xinming Li, Rajarshi Chakrabarti, Kimiko Sekiguchi, Liang Hong, 2022-03-07

Persuasive Advertising J. Armstrong, 2010-05-26 Written by a leading authority this book is a comprehensive and definitive guide to advertising that incorporates a vast amount of research and expert opinion It draws upon the evidence to establish principles that can be applied to achieve successful and effective advertising and evaluates all of the relevant attributes and aspects of this IEICE Transactions on Electronics, 2005 IEEE Transactions on Circuits and Systems, 2006 **Electronics**, 1945-07 June issues 1941 44 and

Nov issue 1945 include a buyers guide section Proceedings National Electric Light Association,1930 QST. ,1925
The Electrical World ,1893 **Proceedings of the Cambridge Philosophical Society** Cambridge Philosophical
Society,1929 **Billboard Music Week** ,1929 **Electrical World** ,1893 **The New York Times Index** ,1929
Radio Age ,1926 **Electrical Merchandising** ,1924 *The Electric Journal* ,1919 The Electronics Journal ,1918

As recognized, adventure as skillfully as experience virtually lesson, amusement, as well as pact can be gotten by just checking out a books **Example Circuit Using Ads 3 02** as a consequence it is not directly done, you could recognize even more roughly speaking this life, roughly speaking the world.

We pay for you this proper as with ease as simple habit to get those all. We pay for Example Circuit Using Ads 3 02 and numerous book collections from fictions to scientific research in any way. among them is this Example Circuit Using Ads 3 02 that can be your partner.

<https://py.bijouxmedusa.com/data/Resources/fetch.php/Travel%20Tips%20Guide%20For%20Creators%203%20122%20Travel%20Tips%20Guide%20For%20Startups.pdf>

Table of Contents Example Circuit Using Ads 3 02

1. Understanding the eBook Example Circuit Using Ads 3 02
 - The Rise of Digital Reading Example Circuit Using Ads 3 02
 - Advantages of eBooks Over Traditional Books
2. Identifying Example Circuit Using Ads 3 02
 - Exploring Different Genres
 - Considering Fiction vs. Non-Fiction
 - Determining Your Reading Goals
3. Choosing the Right eBook Platform
 - Popular eBook Platforms
 - Features to Look for in an Example Circuit Using Ads 3 02
 - User-Friendly Interface
4. Exploring eBook Recommendations from Example Circuit Using Ads 3 02
 - Personalized Recommendations
 - Example Circuit Using Ads 3 02 User Reviews and Ratings
 - Example Circuit Using Ads 3 02 and Bestseller Lists

5. Accessing Example Circuit Using Ads 3 02 Free and Paid eBooks
 - Example Circuit Using Ads 3 02 Public Domain eBooks
 - Example Circuit Using Ads 3 02 eBook Subscription Services
 - Example Circuit Using Ads 3 02 Budget-Friendly Options
6. Navigating Example Circuit Using Ads 3 02 eBook Formats
 - ePub, PDF, MOBI, and More
 - Example Circuit Using Ads 3 02 Compatibility with Devices
 - Example Circuit Using Ads 3 02 Enhanced eBook Features
7. Enhancing Your Reading Experience
 - Adjustable Fonts and Text Sizes of Example Circuit Using Ads 3 02
 - Highlighting and Note-Taking Example Circuit Using Ads 3 02
 - Interactive Elements Example Circuit Using Ads 3 02
8. Staying Engaged with Example Circuit Using Ads 3 02
 - Joining Online Reading Communities
 - Participating in Virtual Book Clubs
 - Following Authors and Publishers Example Circuit Using Ads 3 02
9. Balancing eBooks and Physical Books Example Circuit Using Ads 3 02
 - Benefits of a Digital Library
 - Creating a Diverse Reading Collection Example Circuit Using Ads 3 02
10. Overcoming Reading Challenges
 - Dealing with Digital Eye Strain
 - Minimizing Distractions
 - Managing Screen Time
11. Cultivating a Reading Routine Example Circuit Using Ads 3 02
 - Setting Reading Goals Example Circuit Using Ads 3 02
 - Carving Out Dedicated Reading Time
12. Sourcing Reliable Information of Example Circuit Using Ads 3 02
 - Fact-Checking eBook Content of Example Circuit Using Ads 3 02
 - Distinguishing Credible Sources
13. Promoting Lifelong Learning

- Utilizing eBooks for Skill Development
 - Exploring Educational eBooks
14. Embracing eBook Trends
- Integration of Multimedia Elements
 - Interactive and Gamified eBooks

Example Circuit Using Ads 3 02 Introduction

In the digital age, access to information has become easier than ever before. The ability to download Example Circuit Using Ads 3 02 has revolutionized the way we consume written content. Whether you are a student looking for course material, an avid reader searching for your next favorite book, or a professional seeking research papers, the option to download Example Circuit Using Ads 3 02 has opened up a world of possibilities. Downloading Example Circuit Using Ads 3 02 provides numerous advantages over physical copies of books and documents. Firstly, it is incredibly convenient. Gone are the days of carrying around heavy textbooks or bulky folders filled with papers. With the click of a button, you can gain immediate access to valuable resources on any device. This convenience allows for efficient studying, researching, and reading on the go. Moreover, the cost-effective nature of downloading Example Circuit Using Ads 3 02 has democratized knowledge. Traditional books and academic journals can be expensive, making it difficult for individuals with limited financial resources to access information. By offering free PDF downloads, publishers and authors are enabling a wider audience to benefit from their work. This inclusivity promotes equal opportunities for learning and personal growth. There are numerous websites and platforms where individuals can download Example Circuit Using Ads 3 02. These websites range from academic databases offering research papers and journals to online libraries with an expansive collection of books from various genres. Many authors and publishers also upload their work to specific websites, granting readers access to their content without any charge. These platforms not only provide access to existing literature but also serve as an excellent platform for undiscovered authors to share their work with the world. However, it is essential to be cautious while downloading Example Circuit Using Ads 3 02. Some websites may offer pirated or illegally obtained copies of copyrighted material. Engaging in such activities not only violates copyright laws but also undermines the efforts of authors, publishers, and researchers. To ensure ethical downloading, it is advisable to utilize reputable websites that prioritize the legal distribution of content. When downloading Example Circuit Using Ads 3 02, users should also consider the potential security risks associated with online platforms. Malicious actors may exploit vulnerabilities in unprotected websites to distribute malware or steal personal information. To protect themselves, individuals should ensure their devices have reliable antivirus software installed and validate the legitimacy of the websites they are downloading from. In conclusion, the ability to download Example Circuit

Using Ads 3 02 has transformed the way we access information. With the convenience, cost-effectiveness, and accessibility it offers, free PDF downloads have become a popular choice for students, researchers, and book lovers worldwide. However, it is crucial to engage in ethical downloading practices and prioritize personal security when utilizing online platforms. By doing so, individuals can make the most of the vast array of free PDF resources available and embark on a journey of continuous learning and intellectual growth.

FAQs About Example Circuit Using Ads 3 02 Books

How do I know which eBook platform is the best for me? Finding the best eBook platform depends on your reading preferences and device compatibility. Research different platforms, read user reviews, and explore their features before making a choice. Are free eBooks of good quality? Yes, many reputable platforms offer high-quality free eBooks, including classics and public domain works. However, make sure to verify the source to ensure the eBook credibility. Can I read eBooks without an eReader? Absolutely! Most eBook platforms offer web-based readers or mobile apps that allow you to read eBooks on your computer, tablet, or smartphone. How do I avoid digital eye strain while reading eBooks? To prevent digital eye strain, take regular breaks, adjust the font size and background color, and ensure proper lighting while reading eBooks. What the advantage of interactive eBooks? Interactive eBooks incorporate multimedia elements, quizzes, and activities, enhancing the reader engagement and providing a more immersive learning experience. Example Circuit Using Ads 3 02 is one of the best book in our library for free trial. We provide copy of Example Circuit Using Ads 3 02 in digital format, so the resources that you find are reliable. There are also many Ebooks of related with Example Circuit Using Ads 3 02. Where to download Example Circuit Using Ads 3 02 online for free? Are you looking for Example Circuit Using Ads 3 02 PDF? This is definitely going to save you time and cash in something you should think about.

Find Example Circuit Using Ads 3 02 :

travel tips guide for creators 3-122 travel tips guide for startups

[TikTok marketing roadmap for startups 3-2707](#) [TikTok marketing software](#)

examples for startups 3-698 online business explained for creators

[explained for startups 3-883](#) [freelancing online for beginners](#) [America](#)

development roadmap USA 3-2207 chatbot development roadmap United States

[passive income ideas explained America 3-2700](#) [passive income ideas](#)

weight loss for beginners for small business 3-1645 weight loss guide
[3-2969 AI marketing roadmap for creators 3-2716 AI marketing step by step](#)
[development step by step America 3-923 blockchain development step by step](#)
marketing review for creators 3-435 content marketing roadmap USA 3-187
best practices America 3-2406 passive income ideas best practices United
dropshipping business examples for entrepreneurs 3-760 dropshipping
[examples USA 3-7 online business examples for small business 3-1544](#)
[checklist USA 3-565 career growth checklist for creators 3-2569 career](#)
[United States 3-827 Instagram growth examples for small business 3-1519](#)

Example Circuit Using Ads 3 02 :

theo gray s mad science gray theodore morawa at - Dec 06 2022

web theo gray s mad scie experimente die man zu hause machen kann oder vielleicht gratisversand mit kundenkarte jetzt bei morawa at kaufen

theo gray s mad science experiments you can do at home - May 11 2023

web theo gray s mad science experiments you can do at home but probably shouldn t gray theodore isbn 9781579127916 kostenloser versand für alle bücher mit

[theo gray s mad science experimente die man zu ha pdf - Dec 26 2021](#)

web getting the books theo gray s mad science experimente die man zu ha now is not type of inspiring means you could not abandoned going in the same way as book collection

theo gray s mad science experimente die man zu ha pdf - Sep 22 2021

theo gray s mad science experimente die man zu ha pdf - Feb 25 2022

web jul 5 2023 theo gray s mad science experimente die man zu ha but end up in infectious downloads rather than enjoying a good book with a cup of tea in the

theo gray s mad science experiments you can do at home - May 31 2022

web theo gray s mad science experiments you can do at home but probably shouldn t gray theodore theodore gray amazon sg books

theo gray s mad science experimente die man zu hause - Jun 12 2023

web theo gray s mad science experimente die man zu hause machen kann oder vielleicht lieber doch nicht gray theodore

amazon se böcker

theo gray s mad science experimente die man zu ha louis - Jul 01 2022

web statement theo gray s mad science experimente die man zu ha as well as review them wherever you are now old new land theodor herzl 2015 03 04 theodor herzl old

theo gray s mad science experimente die man zu ha pdf - Mar 29 2022

web jun 3 2023 theo gray s mad science experimente die man zu ha 2 8 downloaded from uniport edu ng on june 3 2023 by guest hobbyists and science buffs who can no

theo gray s mad science experiments you can do at home - Jan 07 2023

web scopri theo gray s mad science experiments you can do at home but probably shouldn t di gray theodore spedizione gratuita per i clienti prime e per ordini a partire

theo gray s mad science experimente die man zu ha pdf copy - Oct 24 2021

web may 13 2023 theodore gray s completely mad science theodore gray 2016 09 13 the ultimate theodore gray collection theodore gray s completely mad science

theo gray s mad science experimente die man zu ha copy - Jan 27 2022

web theo gray s mad science experimente die man zu ha pdf when somebody should go to the ebook stores search introduction by shop shelf by shelf it is essentially problematic

theo s mad science experimente die man zu ab 3 - Oct 04 2022

web theodore gray autor der bestseller die elemente theo s mad science experimente die man zu ab 3 buchsuche deutschland die suchmaschine für

theo gray s mad science experiments you can do at home - Aug 02 2022

web theo gray s mad science experiments you can do at home but probably shouldn t gray theodore amazon com tr kitap

theo gray s mad science experiments you can do at home - Sep 03 2022

web theo gray s mad science experiments you can do at home but probably shouldn t gray theodore isbn 9781579128753 kostenloser versand für alle bücher mit

theo gray s mad science experimente die man zu hause - Aug 14 2023

web theo gray s mad science experimente die man zu hause machen kann oder vielleicht lieber doch nicht gray theodore isbn 9783961283811 kostenloser versand für

theo gray s mad science experimente die man zu hause - Mar 09 2023

web theo gray s mad science experimente die man zu hause machen kann oder vielleicht lieber doch nicht gray theodore amazon nl boeken ga naar primaire content nl

theo gray s mad science experiments you can do at - Nov 05 2022

web mar 25 2009 theodore gray is the author of the elements and mad science experiments you can do at home but probably shouldn t and of popular science

theo gray s mad science experiments you can do - Apr 29 2022

web jun 14 2023 theo gray s mad science experimete die man zu ha 2 11 downloaded from uniport edu ng on june 14 2023 by guest letters of the alphabet a for aluminum b

theo gray s mad science experimete die man zu hause - Feb 08 2023

web theo gray s mad science experimete die man zu hause machen kann oder vielleicht lieber doch nicht gray theodore amazon nl books

theo gray s mad science experimete die man zu ha copy - Nov 24 2021

web webjul 5 2023 theo gray s mad science experimete die man zu ha 2 10 downloaded from uniport edu ng on july 5 2023 by guest influential as game theory a

theo gray s mad science experimete die man zu hause - Apr 10 2023

web read reviews from the world s largest community for readers undefined theo gray s mad science experimete die man zu hause machen kann oder vielleicht lieber doch

theo gray s mad science experimete die man zu hause - Jul 13 2023

web buy theo gray s mad science experimete die man zu hause machen kann oder vielleicht lieber doch nicht by isbn 9783961283811 from amazon s book store

der wahre prophet beantwortet ihnen alle - Jun 02 2023

web broadcast der wahre prophet beantwortet ihnen alle schicksa that you are looking for it will totally squander the time however below subsequently you visit this web page it

der wahre prophet beantwortet ihnen alle schicksalsfragen by - Jan 17 2022

web der wahre prophet beantwortet ihnen alle schicksalsfragen by penny mclean accelerating change nosologoethe valencia sets edelsteine tao de der wahre prophet

der wahre prophet beantwortet ihnen alle schicksalsfragen by - Mar 19 2022

web handbuch für die soldatinnen und soldaten der wahre prophet beantwortet ihnen alle schicksalsfragen der wahre prophet beantwortet ihnen alle schicksalsfragen

der wahre prophet beantwortet ihnen alle schicksa download - Sep 24 2022

web mar 27 2023 for each success next to the declaration as skillfully as acuteness of this der wahre prophet beantwortet ihnen alle schicksa pdf can be taken as skillfully as

der wahre prophet beantwortet ihnen alle schicksa pdf irbrora - Aug 24 2022

web der gängige weg um wasserstoff aus erneuerbaren energien zu produzieren ist die elektrolyse die spaltung von wasser mithilfe von strom doch durch diesen umweg

der wahre prophet beantwortet ihnen alle schicksa - Oct 06 2023

web der wahre prophet beantwortet ihnen alle schicksa gepredigte religions histori das ist jesus christus und seine kirchen offenbahrlich dargezeigt von urbegin der welt

der wahre prophet beantwortet ihnen alle schicksalsfragen by - Aug 04 2023

web der wahre prophet beantwortet ihnen alle schicksalsfragen hiltrud schröter androsch dzb bücherliste nr 05 2017 full text of 1000 zitate mein kampf pe orin als frau und pferd und

der wahre prophet beantwortet ihnen alle schicksalsfragen by - Feb 15 2022

web sep 23 2023 seasons thetvdb ostpreußenblatt folge 11 vom 15 03 1958 portal ahnenspuren der nationalsozialismus dokumente 1933 1945 der wahre prophet

der wahre prophet beantwortet ihnen alle schicksalsfragen - Sep 05 2023

web sep 1 2003 der wahre prophet beantwortet ihnen alle schicksalsfragen mclean penny isbn 9783720524308 kostenloser versand für alle bücher mit versand und

wie können sie sagen dass die bibel von gott ist und dass alles - Nov 26 2022

web mit diesem buch möchten wir euch die gelegenheit geben auf eine spannende weise mehr diese außergewöhnlichen menschen zu erfahren auf der rückseite jeder seite findet ihr

der wahre prophet beantwortet ihnen alle schicksa pdf - Apr 19 2022

web aug 2 2023 ihnen alle schicksalsfragen full text of 1000 zitate mein kampf der wahre prophet beantwortet ihnen alle schicksalsfragen dip21 bundestag de kardinal gerhard

der wahre prophet beantwortet ihnen alle schicksalsfragen by - May 21 2022

web mar 18 2023 der wahre prophet beantwortet ihnen alle schicksa 1 7 downloaded from uniport edu ng on march 18 2023 by guest der wahre prophet beantwortet ihnen

der wahre prophet beantwortet ihnen alle schicksa - Jul 03 2023

web merely said the der wahre prophet beantwortet ihnen alle schicksa is universally compatible in the same way as any devices to read gesammelte werke friedrichs des

100 fragen über die propheten von adam a s bis mohammed - Oct 26 2022

web der wahre prophet beantwortet ihnen alle schicksa 3 3 erstaunlich aktuell sie sind dabei und erfahren so einiges über aufklärung philosophie und religion meinungen

der wahre prophet beantwortet ihnen alle schicksalsfragen by - Nov 14 2021

der wahre prophet beantwortet ihnen alle schicksal buch - Feb 27 2023

web ein großer teil des buches ist der philosophie und praxis des yoga mit ayurveda gewidmet einschließlich einer liste von asanas pranayamas mudras mantras und

woher kommt prophet wortherkunft von prophet wissen de - Jul 23 2022

web dec 9 2010 nach den geist gottes zu entdecken jeder geist der jesus christus bekennt ist im fleisch gekommen gottes ist kein geist der jesus nicht bekennt aber

der wahre prophet beantwortet ihnen alle schicksalsfragen by - Dec 16 2021

web alle schicksalsfragen full text of adolf hitler mein kampf band 1 und 2 textgridlab karmabibliothek inkare hits of the 70s von penny mclean medimops der wahre prophet

der wahre prophet beantwortet ihnen alle schicksa pdf mark - Mar 31 2023

web entdecken sie der wahre prophet beantwortet ihnen alle schicksal buch zustand sehr gut in der großen auswahl bei ebay kostenlose lieferung für viele artikel

test wahrer prophet woher wissen wir das wahre vom - Jun 21 2022

web der wahre prophet beantwortet ihnen alle schicksalsfragen von penny mclean gebundene ausgabe bei medimops de bestellen ada adac aeg ag ai aids ap apex ard

der wahre prophet beantwortet ihnen alle schicksalsfragen by - Dec 28 2022

web die bibel kann somit nicht von menschlicher herkunft sein sondern es gilt alle schrift ist von gott eingegeben 2 timotheus 3 16 gott benutzte auserwählte menschen denen

der wahre prophet beantwortet ihnen alle schicksa download - May 01 2023

web jun 26 2023 of this der wahre prophet beantwortet ihnen alle schicksa pdf by online you might not require more period to spend to go to the book opening as skillfully as

der wahre prophet beantwortet ihnen alle schicksa - Jan 29 2023

web der wahre prophet beantwortet ihnen alle schicksalsfragen by penny mclean meine schuld von herzen bereue und sie dem schöpfer und erhalter des weltalls bekenne der

more than cool reason excerpt mark turner - Aug 08 2022

web more than cool reason isbn 0 226 46812 7 12 95 on line orders the university of chicago press amazon books and book stacks contents acknowledgments people are viewed as plants with respect to the life cycle more precisely they are viewed as that part of the plant that burgeons and then withers or declines such as leaves flowers

more than cool reason [PDF](#) [PDF](#) - Jan 13 2023

web we ve merely been taught to talk as if it had as though weather maps were more real than the breath of autumn as though for that matter reason was really cool what we re saying whenever we say is a theme this book illumines for anyone attentive hugh kenner johns hopkins university [PDF](#)

pdf more than cool reason george lakoff academia edu - Sep 21 2023

web more than cool reason a field guide to poetic metaphor george lakoff and mark turner chicago university of chicago press 1989 xii 230 pages more than cool reason a field guide to poetic metaphor read the authors restore metaphor to our lives by showing us that it s never gone away

more than cool reason a field guide to poetic metaphor goodreads - May 17 2023

web more than cool reason a field guide to poetic metaphor by george lakoff goodreads jump to ratings and reviews want to read kindle 19 88 rate this book more than cool reason a field guide to poetic metaphor george lakoff

more than cool reason the university of chicago press - Oct 22 2023

web the book more than cool reason a field guide to poetic metaphor george lakoff and mark turner is published by university of chicago press

more than cool reason a field guide to poetic metaphor - Mar 15 2023

web more than cool reason a field guide to poetic metaphor lakoff george free download borrow and streaming internet archive

more than cool reason bibliovault - Nov 11 2022

web about this book the authors restore metaphor to our lives by showing us that it s never gone away we ve merely been taught to talk as if it had as though weather maps were more real than the breath of autumn as though for

later printing edition amazon com spend less smile more - Jun 06 2022

web jan 1 1989 more than cool reason ain t so hot reason the professorial jargon and laborious labeling and system building was tiring as for interpretation of poems most were overly complex and incorrect the poem about a church and a young poet is more about not being confined to set frames at best this is how not to understand metaphor

more than cool reason a field guide to poetic metaphor - May 05 2022

web more than cool reason a field guide to poetic metaphor paperback feb 15 1989 by professor george lakoff author mark turner author 4 6 50 ratings see all formats and editions kindle edition

[more than cool reason a field guide to poetic metaphor by](#) - Jun 18 2023

web the first life death and time explores the range of metaphorical conceptions of these fundamental notions illustrated by analyses of passages from a wide variety of poems of different periods this introduction serves to motivate the second

chapter the power of poetic metaphor

more than cool reason a field guide to poetic metaphor - Oct 10 2022

web nov 17 2009 1990 more than cool reason a field guide to poetic metaphor metaphor and symbolic activity vol 5 no 4 pp 251 254

pdf more than cool reason a field guide to poetic - Apr 16 2023

web more than cool reason combines two intellectual agendas first to win back for poetry and the arts equal status with cool reason by showing how pervasive and fundamental metaphorical reasoning is and second to explicate how meta phor actually works at the expense of a number of inadequate traditional theo correspondence and requests

pdf more than cool reason by george lakoff perlego - Mar 03 2022

web ebook epub more than cool reason a field guide to poetic metaphor george lakoff mark turner book details book preview table of contents citations about this book the authors restore metaphor to our lives by showing us that it s never gone away

more than cool reason by george lakoff open library - Jul 07 2022

web dec 25 2021 1 more than cool reason a field guide to poetic metaphor 1989 university of chicago press in english

0226468119 9780226468112 aaaa preview only libraries near you worldcat

more than cool reason a field guide to poetic metaphor scribd - Dec 12 2022

web more than cool reason a field guide to poetic metaphor show full title by george lakoff and mark turner 3 5 25 ratings about this ebook the authors restore metaphor to our lives by showing us that it s never gone away

more than cool reason a field guide to poetic metaphor - Feb 14 2023

web more than cool reason a field guide to poetic metaphor george lakoff mark turner google books george lakoff mark turner university of chicago press feb 15 1989 language arts

more than cool reason a field guide to poetic metaphor - Apr 04 2022

web dec 1 1990 more than cool reason a field guide to poetic metaphor metaphor and symbolic activity vol 5 no 4 pp 251

254 view via publisher save to library create alert cite 1 343 citations citation type more filters metaphor in fiction language thought and communication a g dorst art 2011

more than cool reason mark turner - Jul 19 2023

web more than cool reason a field guide to poetic metaphor george lakoff and mark turner likely to be the standard work in metaphor for some time to come donald freeman poetics today probably the best introduction to the study of metaphors available to the student of literature jørgen dines johansen the semiotic review of books

more than cool reason a field guide to poetic metaphor by - Sep 09 2022

web jun 1 1990 more than cool reason a field guide to poetic metaphor by george lakoff mark turner get access thomas

ledby the journal of aesthetics and art criticism volume 48 issue 3 summer 1990 pages 260 261 doi org 10 2307 431779

more than cool reason a field guide to poetic metaphor - Aug 20 2023

web jun 1 1991 more than cool reason a field guide to poetic metaphor g lakoff mark turner published 1 june 1991

education the authors restore metaphor to our lives by showing us that it s never gone away