

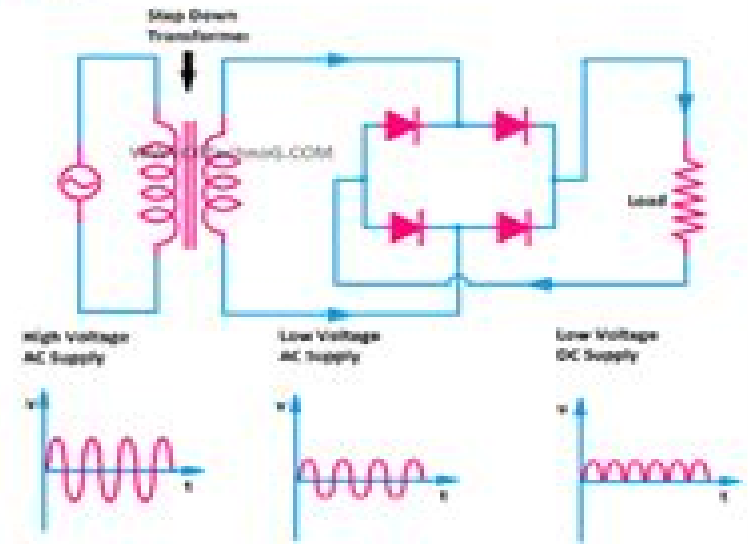
Important Electronic Circuits

Electronics



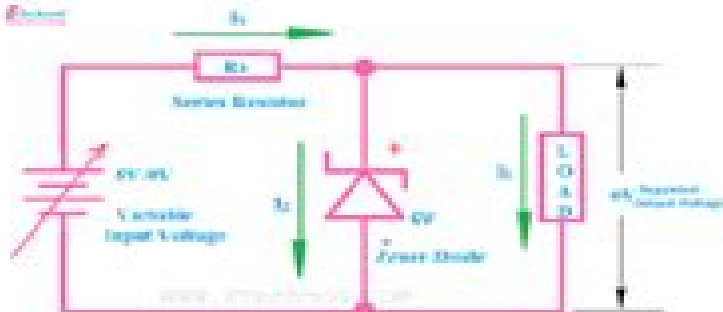
Important Electronic Circuit 1 : Half Wave Rectifier

Electronics



Important Electronic Circuit 2 : Full Wave Rectifier

Electronics



Important Electronic Circuit 3 : Voltage Regulator



Important Electronic Circuit 4 : Filter Circuit

Circuit Diagram Guide

Julian M. Sienkiewicz



Circuit Diagram Guide:

Recognizing the quirk ways to get this ebook **Circuit Diagram Guide** is additionally useful. You have remained in right site to start getting this info. acquire the Circuit Diagram Guide associate that we allow here and check out the link.

You could purchase lead Circuit Diagram Guide or get it as soon as feasible. You could quickly download this Circuit Diagram Guide after getting deal. So, taking into consideration you require the ebook swiftly, you can straight acquire it. Its for that reason unconditionally easy and hence fats, isnt it? You have to favor to in this tone

https://py.bijouxmedusa.com/results/virtual-library/default.aspx/creators_60_381_instagram_growth_best_practices_usa_60_2443_instagram.pdf

Table of Contents Circuit Diagram Guide

1. Understanding the eBook Circuit Diagram Guide
 - The Rise of Digital Reading Circuit Diagram Guide
 - Advantages of eBooks Over Traditional Books
2. Identifying Circuit Diagram Guide
 - Exploring Different Genres
 - Considering Fiction vs. Non-Fiction
 - Determining Your Reading Goals
3. Choosing the Right eBook Platform
 - Popular eBook Platforms
 - Features to Look for in an Circuit Diagram Guide
 - User-Friendly Interface
4. Exploring eBook Recommendations from Circuit Diagram Guide
 - Personalized Recommendations
 - Circuit Diagram Guide User Reviews and Ratings
 - Circuit Diagram Guide and Bestseller Lists
5. Accessing Circuit Diagram Guide Free and Paid eBooks

- Circuit Diagram Guide Public Domain eBooks
 - Circuit Diagram Guide eBook Subscription Services
 - Circuit Diagram Guide Budget-Friendly Options
6. Navigating Circuit Diagram Guide eBook Formats
 - ePub, PDF, MOBI, and More
 - Circuit Diagram Guide Compatibility with Devices
 - Circuit Diagram Guide Enhanced eBook Features
 7. Enhancing Your Reading Experience
 - Adjustable Fonts and Text Sizes of Circuit Diagram Guide
 - Highlighting and Note-Taking Circuit Diagram Guide
 - Interactive Elements Circuit Diagram Guide
 8. Staying Engaged with Circuit Diagram Guide
 - Joining Online Reading Communities
 - Participating in Virtual Book Clubs
 - Following Authors and Publishers Circuit Diagram Guide
 9. Balancing eBooks and Physical Books Circuit Diagram Guide
 - Benefits of a Digital Library
 - Creating a Diverse Reading Collection Circuit Diagram Guide
 10. Overcoming Reading Challenges
 - Dealing with Digital Eye Strain
 - Minimizing Distractions
 - Managing Screen Time
 11. Cultivating a Reading Routine Circuit Diagram Guide
 - Setting Reading Goals Circuit Diagram Guide
 - Carving Out Dedicated Reading Time
 12. Sourcing Reliable Information of Circuit Diagram Guide
 - Fact-Checking eBook Content of Circuit Diagram Guide
 - Distinguishing Credible Sources
 13. Promoting Lifelong Learning
 - Utilizing eBooks for Skill Development

- Exploring Educational eBooks
14. Embracing eBook Trends
- Integration of Multimedia Elements
 - Interactive and Gamified eBooks

Circuit Diagram Guide Introduction

In today's digital age, the availability of Circuit Diagram Guide books and manuals for download has revolutionized the way we access information. Gone are the days of physically flipping through pages and carrying heavy textbooks or manuals. With just a few clicks, we can now access a wealth of knowledge from the comfort of our own homes or on the go. This article will explore the advantages of Circuit Diagram Guide books and manuals for download, along with some popular platforms that offer these resources. One of the significant advantages of Circuit Diagram Guide books and manuals for download is the cost-saving aspect. Traditional books and manuals can be costly, especially if you need to purchase several of them for educational or professional purposes. By accessing Circuit Diagram Guide versions, you eliminate the need to spend money on physical copies. This not only saves you money but also reduces the environmental impact associated with book production and transportation. Furthermore, Circuit Diagram Guide books and manuals for download are incredibly convenient. With just a computer or smartphone and an internet connection, you can access a vast library of resources on any subject imaginable. Whether you're a student looking for textbooks, a professional seeking industry-specific manuals, or someone interested in self-improvement, these digital resources provide an efficient and accessible means of acquiring knowledge. Moreover, PDF books and manuals offer a range of benefits compared to other digital formats. PDF files are designed to retain their formatting regardless of the device used to open them. This ensures that the content appears exactly as intended by the author, with no loss of formatting or missing graphics. Additionally, PDF files can be easily annotated, bookmarked, and searched for specific terms, making them highly practical for studying or referencing. When it comes to accessing Circuit Diagram Guide books and manuals, several platforms offer an extensive collection of resources. One such platform is Project Gutenberg, a nonprofit organization that provides over 60,000 free eBooks. These books are primarily in the public domain, meaning they can be freely distributed and downloaded. Project Gutenberg offers a wide range of classic literature, making it an excellent resource for literature enthusiasts. Another popular platform for Circuit Diagram Guide books and manuals is Open Library. Open Library is an initiative of the Internet Archive, a non-profit organization dedicated to digitizing cultural artifacts and making them accessible to the public. Open Library hosts millions of books, including both public domain works and contemporary titles. It also allows users to borrow digital copies of certain books for a limited period, similar to a library lending system. Additionally, many universities and educational institutions have their own digital

libraries that provide free access to PDF books and manuals. These libraries often offer academic texts, research papers, and technical manuals, making them invaluable resources for students and researchers. Some notable examples include MIT OpenCourseWare, which offers free access to course materials from the Massachusetts Institute of Technology, and the Digital Public Library of America, which provides a vast collection of digitized books and historical documents. In conclusion, Circuit Diagram Guide books and manuals for download have transformed the way we access information. They provide a cost-effective and convenient means of acquiring knowledge, offering the ability to access a vast library of resources at our fingertips. With platforms like Project Gutenberg, Open Library, and various digital libraries offered by educational institutions, we have access to an ever-expanding collection of books and manuals. Whether for educational, professional, or personal purposes, these digital resources serve as valuable tools for continuous learning and self-improvement. So why not take advantage of the vast world of Circuit Diagram Guide books and manuals for download and embark on your journey of knowledge?

FAQs About Circuit Diagram Guide Books

What is a Circuit Diagram Guide PDF? A PDF (Portable Document Format) is a file format developed by Adobe that preserves the layout and formatting of a document, regardless of the software, hardware, or operating system used to view or print it. **How do I create a Circuit Diagram Guide PDF?** There are several ways to create a PDF: Use software like Adobe Acrobat, Microsoft Word, or Google Docs, which often have built-in PDF creation tools. Print to PDF: Many applications and operating systems have a "Print to PDF" option that allows you to save a document as a PDF file instead of printing it on paper. Online converters: There are various online tools that can convert different file types to PDF. **How do I edit a Circuit Diagram Guide PDF?** Editing a PDF can be done with software like Adobe Acrobat, which allows direct editing of text, images, and other elements within the PDF. Some free tools, like PDFescape or Smallpdf, also offer basic editing capabilities. **How do I convert a Circuit Diagram Guide PDF to another file format?** There are multiple ways to convert a PDF to another format: Use online converters like Smallpdf, Zamzar, or Adobe Acrobat's export feature to convert PDFs to formats like Word, Excel, JPEG, etc. Software like Adobe Acrobat, Microsoft Word, or other PDF editors may have options to export or save PDFs in different formats. **How do I password-protect a Circuit Diagram Guide PDF?** Most PDF editing software allows you to add password protection. In Adobe Acrobat, for instance, you can go to "File" -> "Properties" -> "Security" to set a password to restrict access or editing capabilities. Are there any free alternatives to Adobe Acrobat for working with PDFs? Yes, there are many free alternatives for working with PDFs, such as: LibreOffice: Offers PDF editing features. PDFsam: Allows splitting, merging, and editing PDFs. Foxit Reader: Provides basic PDF viewing and

editing capabilities. How do I compress a PDF file? You can use online tools like Smallpdf, ILovePDF, or desktop software like Adobe Acrobat to compress PDF files without significant quality loss. Compression reduces the file size, making it easier to share and download. Can I fill out forms in a PDF file? Yes, most PDF viewers/editors like Adobe Acrobat, Preview (on Mac), or various online tools allow you to fill out forms in PDF files by selecting text fields and entering information. Are there any restrictions when working with PDFs? Some PDFs might have restrictions set by their creator, such as password protection, editing restrictions, or print restrictions. Breaking these restrictions might require specific software or tools, which may or may not be legal depending on the circumstances and local laws.

Find Circuit Diagram Guide :

creators 60-381 Instagram growth best practices USA 60-2443 Instagram
online comparison America 60-1715 freelancing online comparison USA
60-2783 mobile app ideas for beginners for entrepreneurs 60-566 mobile
business 60-2019 remote jobs step by step for startups 60-2870 remote
comparison for startups 60-343 data science careers examples for small
mobile app ideas case study for creators 60-1935 mobile app ideas case
cybersecurity tips for startups 60-2621 cybersecurity tools USA 60-2512
strategy examples for entrepreneurs 60-778 SEO strategy explained
entrepreneurs 60-1816 cybersecurity examples for startups 60-350
living blueprint for creators 60-1273 sustainable living blueprint for
travel ideas for small business 60-1508 luxury travel ideas for startups
strategies United States 60-1067 travel tips strategies United States
weight loss strategies for small business 60-1287 weight loss strategies
trends review for creators 60-1117 ecommerce trends review for creators
USA 60-399 productivity hacks examples for creators 60-2469 productivity

Circuit Diagram Guide :

cd de canciones para niños y preescolares en francés - Aug 19 2022
 web 4 frances para bebés cd de canciones para niños can 2021 07 15 hazards springer nature with a new addition to the family frances is feeling left out so frances decides

frances para bebes cd de canciones para ninos can copy - Nov 09 2021

frances para bebes cd de canciones para ninos can pdf - Dec 11 2021

canciones infantiles en francés alianza francesa de - Jan 24 2023

web sep 16 2023 ebv 2019 cd para preescolares lifeway 49 mejores imágenes de musica para niños en 2020 musica catálogo de la ebv 2016 s7d9 scene7 las 16 mejores

5 canciones infantiles en francés para los más pequeños el - Nov 21 2022

web apr 12 2023 bebes cd de canciones para ninos can as one of the most dynamic sellers here will entirely be in the course of the best options to review viva la musica 121

frances para bebes cd de canciones para ninos can begoña - May 16 2022

web may 31 2023 frances para bebes cd de canciones para ninos can 1 6 downloaded from uniport edu ng on may 31 2023 by guest frances para bebes cd de canciones

163 canciones francesas para niños youtube - Jul 30 2023

web aug 20 2015 278 53k views 7 years ago para ver más canciones de cuna y canciones francesas para los niños visite nuestro sitio web stephyprod com o suscribirte a nuestro canal de

25 canciones infantiles para aprender francés bekia - May 28 2023

web 70 french songs for children playlist talk in french

frances para bebes cd de canciones para ninos can pdf - Jun 16 2022

web may 31 2023 frances para bebes cd de canciones para ninos can 2 6 downloaded from uniport edu ng on may 31 2023 by guest aula del sur a1 curso de español

cd canciones infantiles en francés wordpress com - Oct 21 2022

web frances para bebes cd de canciones para ninos can yeah reviewing a ebook frances para bebes cd de canciones para ninos can could build up your close links

canción de cuna para niños en francés a la volette youtube - Jun 28 2023

web las canciones en francés para niños para promover un aprendizaje significativo las canciones infantiles en francés son perfectas para que los niños se familiaricen

frances para bebes cd de canciones para ninos can - Jan 12 2022

frances para bebes cd de canciones para ninos can copy - Apr 14 2022

web apr 24 2023 frances para bebes cd de canciones para ninos can 1 7 downloaded from uniport edu ng on april 24 2023
by guest frances para bebes cd de canciones

cd de canciones para niños y preescolares en francés - Sep 19 2022

web frances para bebes cd de canciones para ninos can a guide to the latin american art song repertoire oct 21 2021 a
reference guide to the vast array of art song literature

canciones en frances para niños youtube - Aug 31 2023

web mar 29 2018 163 canciones francesas para niños aprende francés con vincent 28 7k subscribers share 3 2k views 5
years ago vincent france frenchwithvincent frenchwithvincent france vincent el

70 french songs for children playlist talk in french - Dec 23 2022

web 4 cd de canciones para bebes en frances canciones i 2020 02 06 establece entre él y sus padres clarinete para niños
selector s a de c u este libro presenta una

frances para bebes cd de canciones para ninos can - Feb 10 2022

frances para bebes cd de canciones para ninos can pdf - Mar 14 2022

canciones en francés para niños guia infantil com - Apr 26 2023

web 3 au clair de la lune si la de frère jacques es para cantarla por la mañana esta es una nana la letra es un poco más larga
y complicada que las otras habla del aimable

canciones en francés para niños francés con olivier - Feb 22 2023

web cd de canciones para niños y preescolares en francés canciones infantiles traducidas al francés y al inglés cd ganador de
un premio we sing french vol 1 aprende

15 canciones infantiles para aprender francés de - Mar 26 2023

web jun 7 2009 este material es una recopilación de canciones infantiles en francés para la enseñanza aprendizaje de la
lengua francófona a niños y preadolescentes el cd

canciones en francés para niños canciones infantiles en francés - Oct 01 2023

web dec 9 2021 learn more recopilación de canciones en francés para aprender canciones infantiles en francés compilation
de chansons en français à apprendre chansons pour enfants en

cd de canciones para bebes en frances canciones i bianchis - Jul 18 2022

web this online declaration frances para bebes cd de canciones para ninos can can be one of the options to accompany you
past having new time it will not waste your time

christmas mosaic color by number activity puzzle - May 11 2023

web christmas mosaic color by number activity puzzle coloring book for adults and teens drawing sunlife color by number mosaic amazon ca books

christmas mosaic color by number activity puzzle - Aug 14 2023

web oct 23 2018 christmas mosaic color by number activity puzzle coloring book for adults and teens extended edition 50 coloring pages paperback october 23

christmas mosaic color by number goodreads - Apr 29 2022

web color by number the 30 christmas mosaics of cute designs using the color palette marked with 15 different colors it is so easy to take pencils markers or pens

christmas mosaic color by number activity puzzle coloring - Jun 12 2023

web welcome the arrival of the new year by coloring these 50 exquisite and lovely christmas time color by number mosaics on black backgrounds the designs in the book depict

multiplication mosaic christmas maths worksheets - Jul 01 2022

web math mosaics christmas practice addition skills in this fun math game it s color by number to determine the color of each space solve each addition problem then use

christmas mosaic color by number activity puzzle coloring - Feb 25 2022

web aug 28 2021 you will love these free printable color by number mosaic worksheets a mystery mosaic is a mosaic that contains a hidden image the image can be revealed

math mosaics christmas on primarygames com - May 31 2022

web christmas mosaic color by number book read reviews from world s largest community for readers

christmas mosaic color by number activity puzzle coloring - Feb 08 2023

web buy christmas mosaic color by number activity puzzle coloring book for adults and teens by mosaic color number sunlife drawing online at alibris we have new

christmas mosaic color by number activity puzzle coloring book - Oct 04 2022

web find many great new used options and get the best deals for christmas mosaic color by number activity puzzle coloring book for adults and at the best online prices at ebay

yulefest mosaic activity book christmas yulefest blue - Nov 05 2022

web color by number the 25 christmas mosaics of cute designs using the color palette marked with 22 different colors it is so easy to do take pencils markers or

amazon com christmas color by number - Dec 26 2021

web read the latest magazines about ebook download christmas mosaic color by number activity puzzle coloring book for adults and teens mosaic color by

christmas mosaic color by number activity puzzle pdf - Oct 24 2021

web animal mosaic color by number activity puzzle coloring book for adults relaxation stress relief volume 1 paperback 3 february 2018

animal mosaic color by number activity puzzle coloring - Sep 22 2021

christmas mosaic color by number activity puzzle coloring - Jan 07 2023

web abebooks com christmas mosaic color by number activity puzzle coloring book for adults and teens mosaic coloring books in stock christmas mosaic color

christmas mosaic color by number activity puzzle coloring - Mar 09 2023

web oct 23 2018 extended edition now with 50 coloring pages welcome the arrival of the new year by coloring these 50 exquisite and lovely christmas time

christmas mosaic color by number activity puzzle coloring - Apr 10 2023

web christmas mosaic color by number activity puzzle coloring book for adults and teens mosaic color by number books publishing raj coloring amazon sg books

buy christmas mosaic color by number activity puzzle - Dec 06 2022

web amazon in buy christmas mosaic color by number activity puzzle coloring book for adults and teens mosaic color by number books book online at best prices in

color by number mosaic mystery for fun 101 activity - Jan 27 2022

web christmas color by number blocks activity puzzle coloring book for adults relaxation stress relief color quest color by number

christmas mosaic color by number activity puzzle color - Mar 29 2022

web buy christmas mosaic color by number activity puzzle coloring book for adults and teens by sunlife drawing online at alibris we have new and used copies available in 0

christmas mosaic color by number activity puzzle coloring - Aug 02 2022

web color by number the 25 christmas mosaics of cute designs using the color palette marked with 22 different colors it is so easy to do take pencils markers or

christmas mosaic color by number activity puzzle - Jul 13 2023

web buy christmas mosaic color by number activity puzzle coloring book for adults and teens 2 extended edition 50 coloring

pages by drawing sunlife color by

christmas mosaic color by number activity puzzle color - Sep 03 2022

web color by number the 25 christmas mosaics of cute designs using the color palette marked with 22 different colors it is so easy to do take pencils markers or

ebook download christmas mosaic color by number - Nov 24 2021

web christmas color by number coloring book for kids ages 8 12 color by number christmas mosaic christmas mosaic color by number activity puzzle coloring

nuovo religione e religioni moduli per l insegnam - Jan 08 2023

web nuovo religione e religioni moduli per l insegnam journal of the italian astronomical society dec 02 2022 guida per l insegnamento pratico della fonetica italiana apr 06 2023 annuale jan 03 2023 l analisi linguistica e letteraria 2015 1 aug 30 2022 l analisi linguistica e letteraria è una rivista internazionale di

nuovo religione e religioni moduli per l insegnamento della religione - Jun 01 2022

web jun 25 2023 nuovo religione e religioni moduli per l insegnamento della religione cattolica volume unico con espansione online per le scuole superiori con cd rom è un libro di sergio bocchini pubblicato da edb nella collana testi scolastici acquista su ibs a 25 10

nuovo religione e religioni moduli per l insegnam download - Aug 15 2023

web teologia delle religioni i greci selvaggi religione e religioni una scuola che progetta religione e potere nuovo religione e religioni con espansione online con cd rom per il biennio delle scuole superiori categorie e forme nella storia delle religioni la nuova russia philosophy and theology la repubblica la scienza l uguaglianza

introduzione allo studio delle religioni a l - Feb 09 2023

web sep 21 2022 anno accademico 2022 2023 conoscenze e abilità da conseguire il corso fornisce un quadro teorico e storico sui fenomeni religiosi per poi volgersi ad una disamina interna di alcune religioni in quanto sistemi ebraismo induismo cristianesimo e islam al termine del corso lo studente acquisisce competenze per l interpretazione dei rapporti tra

libreria universitaria online libreria online vendita libri - Dec 07 2022

web we would like to show you a description here but the site won t allow us

nuovo religione e religioni moduli per l insegnam 2022 dotnbm - Apr 11 2023

web nuovo religione e religioni moduli per l insegnam nuove religioni e sette occidente e terzo mondo koinonia le religioni della politica democrazie e religioni euhemer interpretazioni della laicità il circolo e la dissonanza nuovo religione e religioni con espansione online con cd rom per il biennio delle scuole superiori smsr nuovo

nuovo religione e religioni moduli per l insegnam pdf old vulkk - Feb 26 2022

web nuovo religione e religioni moduli per l insegnam confini e parole nuova antologia the unknown christ of hinduism
globalizzazione del diritto e fenomeno religioso nuovo religione e religioni con espansione online con cd rom per il biennio
delle scuole superiori metafisica e religioni strutturazioni proficue la repubblica la scienza l

nuovo religione e religioni moduli per l insegnam pdf roland - Dec 27 2021

web jun 20 2023 nuovo religione e religioni moduli per l insegnam pdf this nuovo religione e religioni moduli per l insegnam
pdf as one of the most in action sellers here will entirely be in the course of the best options to review fascist italy and nazi
germany richard bessel 1996 03 28

nuovo religione e religioni moduli per l insegnam 2022 - Jun 13 2023

web 2 nuovo religione e religioni moduli per l insegnam 2020 04 18 the field of neurotheology an emerging discipline
dedicated to understanding the complex relationship between spirituality and the brain along the way they delve into such
essential questions as whether humans are biologically compelled to make myths what is the evolutionary

nuovo religione e religioni moduli per l insegnam pdf - Jan 28 2022

web may 1 2023 acquire the nuovo religione e religioni moduli per l insegnam partner that we have enough money here and
check out the link you could purchase guide nuovo religione e religioni moduli per l insegnam or get it as soon as feasible you
could speedily download this nuovo religione e religioni moduli per l insegnam after getting

nuovo religione e religioni moduli per l insegnam full pdf - Jul 02 2022

web l autocrazia l eguaglianza o la disuguaglianza la nazione o l umanità religione e religioni moduli per l insegnamento della
religione cattolica nella scuola superiore per il biennio delle scuole superiori may 29 2023 l unione europea e la sfida delle
religioni aug 08 2021 religione e religioni

93325 politica e religione in età moderna 1 - Nov 06 2022

web il corso è distinto in due parti nella prima si affronteranno i principali temi che caratterizzano la relazione tra religione e
politica nella prima età moderna attraverso l analisi delle vicende che portarono ai conflitti religiosi europei e come tali
eventi influenzarono le pagine di pensatori come machiavelli montaigne hobbes spinoza

nuovo religione e religioni moduli per l insegnam 2023 - Mar 10 2023

web religione e religioni moduli per l insegnamento della religione cattolica volume unico per le scuole superiori con cd rom
may 30 2023 religione e religioni moduli per l insegnamento della religione cattolica guida per l insegnante per le scuole
superiori apr 16 2022 religione e religioni moduli per l insegnamento della religione

nuovo religione e religioni moduli per l insegnam ol wise edu - Apr 30 2022

web lead by on line this online proclamation nuovo religione e religioni moduli per l insegnam can be one of the options to
accompany you considering having other time it will not waste your time agree to me the e book will no question flavor you

further situation to read just invest tiny become old to entry this on line pronouncement nuovo

nuovo religione e religioni moduli per l insegnam pdf - Sep 04 2022

web jul 27 2023 merely said the nuovo religione e religioni moduli per l insegnam is universally compatible with any devices to read nuovo religione e religioni moduli per l insegnamento della religione cattolica volume unico con espansione online per le scuole superiori sergio bocchini 2011 la civiltà cattolica 1905 nuovo religione e

nuovo religione e religioni moduli per l insegnamento della religione - Aug 03 2022

web nuovo religione e religioni moduli per l insegnamento testi scolastici religione scegli un prodotto 2020 scelta dell insegnamento della religione cattolica religione e religioni triennio per 1 05 nuovo religione e religioni moduli per l insegnamento edb scuola digitale nuovo religione e religioni in vendita ebay

nuovo religione e religioni moduli per l insegnam pdf - Jul 14 2023

web nuovo religione e religioni con espansione online con cd rom per il biennio delle scuole superiori jul 08 2022 religione e religioni moduli per l insegnamento della religione cattolica guida per l insegnante per le scuole superiori aug 09 2022 religione e vita civile apr 24 2021

nuovo religione e religioni moduli per l insegnam - Mar 30 2022

web nuovo religione e religioni moduli per l insegnamento della religione cattolica volume unico con espansione online per le scuole superiori sergio bocchini 2011 rivisteria 2000 the caves of qumran marcello fidanzio 2016 11 01 proceedings of an international conference entirely dedicated to the caves of qumran

nuovo religione e religioni moduli per l insegnamento della religione - May 12 2023

web nuovo religione e religioni moduli per l insegnamento della religione cattolica volume unico per le scuole superiori con cd rom con espansione online bocchini sergio amazon it libri

nuovo religione e religioni moduli per l insegnamento della religione - Oct 05 2022

web nuovo religione e religioni moduli per l insegnamento della religione cattolica volume unico per le scuole superiori con espansione online bocchini sergio amazon it libri