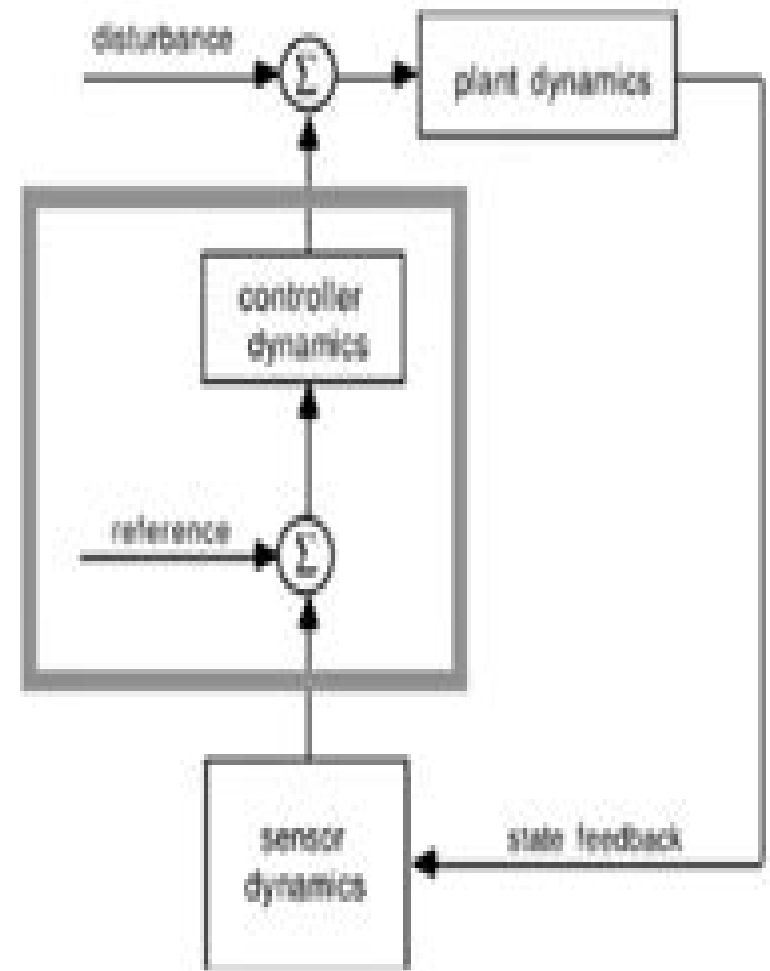
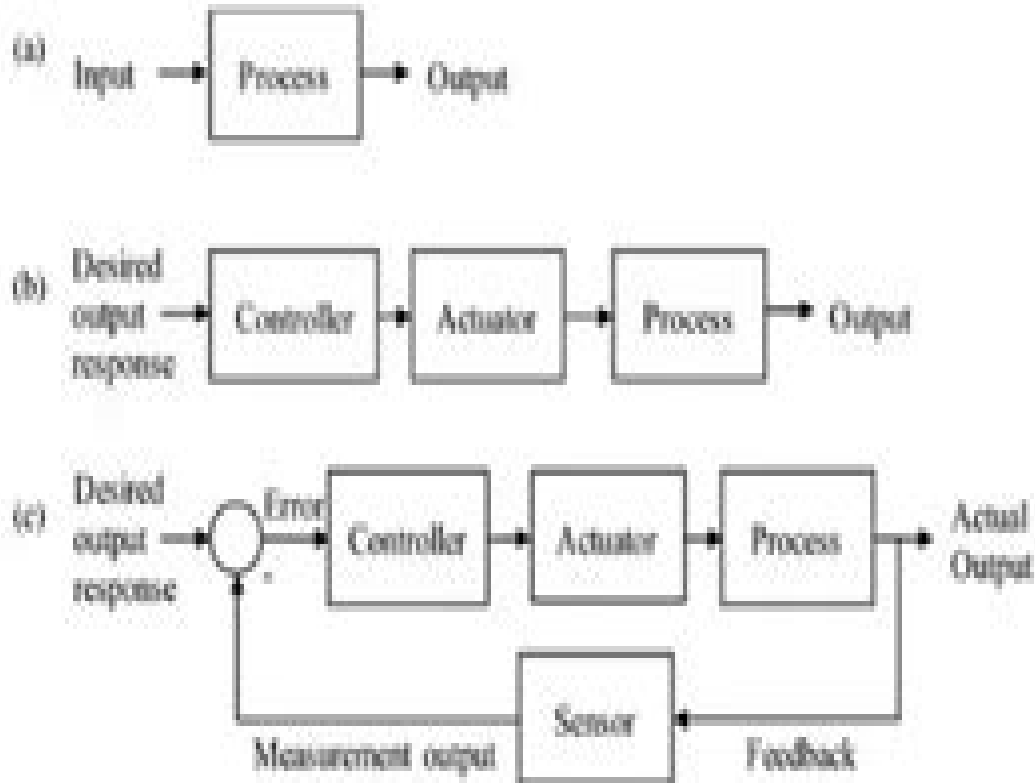


# What is Control Engineering?



Electrical 4 U

# Course Fundamentals Of Control Engineering Lrt Me

**Brendan G. Carr**



**Course Fundamentals Of Control Engineering Lrt Me:**

Discover tales of courage and bravery in is empowering ebook, **Course Fundamentals Of Control Engineering Lrt Me** . In a downloadable PDF format ( PDF Size: \*), this collection inspires and motivates. Download now to witness the indomitable spirit of those who dared to be brave.

<https://py.bijouxmedusa.com/data/publication/fetch.php/Beginners%20For%20Small%20Business%2019%201568%20Digital%20Marketing%20Ideas%20America.pdf>

## **Table of Contents Course Fundamentals Of Control Engineering Lrt Me**

1. Understanding the eBook Course Fundamentals Of Control Engineering Lrt Me
  - The Rise of Digital Reading Course Fundamentals Of Control Engineering Lrt Me
  - Advantages of eBooks Over Traditional Books
2. Identifying Course Fundamentals Of Control Engineering Lrt Me
  - Exploring Different Genres
  - Considering Fiction vs. Non-Fiction
  - Determining Your Reading Goals
3. Choosing the Right eBook Platform
  - Popular eBook Platforms
  - Features to Look for in an Course Fundamentals Of Control Engineering Lrt Me
  - User-Friendly Interface
4. Exploring eBook Recommendations from Course Fundamentals Of Control Engineering Lrt Me
  - Personalized Recommendations
  - Course Fundamentals Of Control Engineering Lrt Me User Reviews and Ratings
  - Course Fundamentals Of Control Engineering Lrt Me and Bestseller Lists
5. Accessing Course Fundamentals Of Control Engineering Lrt Me Free and Paid eBooks
  - Course Fundamentals Of Control Engineering Lrt Me Public Domain eBooks
  - Course Fundamentals Of Control Engineering Lrt Me eBook Subscription Services
  - Course Fundamentals Of Control Engineering Lrt Me Budget-Friendly Options

6. Navigating Course Fundamentals Of Control Engineering Lrt Me eBook Formats
  - ePub, PDF, MOBI, and More
  - Course Fundamentals Of Control Engineering Lrt Me Compatibility with Devices
  - Course Fundamentals Of Control Engineering Lrt Me Enhanced eBook Features
7. Enhancing Your Reading Experience
  - Adjustable Fonts and Text Sizes of Course Fundamentals Of Control Engineering Lrt Me
  - Highlighting and Note-Taking Course Fundamentals Of Control Engineering Lrt Me
  - Interactive Elements Course Fundamentals Of Control Engineering Lrt Me
8. Staying Engaged with Course Fundamentals Of Control Engineering Lrt Me
  - Joining Online Reading Communities
  - Participating in Virtual Book Clubs
  - Following Authors and Publishers Course Fundamentals Of Control Engineering Lrt Me
9. Balancing eBooks and Physical Books Course Fundamentals Of Control Engineering Lrt Me
  - Benefits of a Digital Library
  - Creating a Diverse Reading Collection Course Fundamentals Of Control Engineering Lrt Me
10. Overcoming Reading Challenges
  - Dealing with Digital Eye Strain
  - Minimizing Distractions
  - Managing Screen Time
11. Cultivating a Reading Routine Course Fundamentals Of Control Engineering Lrt Me
  - Setting Reading Goals Course Fundamentals Of Control Engineering Lrt Me
  - Carving Out Dedicated Reading Time
12. Sourcing Reliable Information of Course Fundamentals Of Control Engineering Lrt Me
  - Fact-Checking eBook Content of Course Fundamentals Of Control Engineering Lrt Me
  - Distinguishing Credible Sources
13. Promoting Lifelong Learning
  - Utilizing eBooks for Skill Development
  - Exploring Educational eBooks
14. Embracing eBook Trends
  - Integration of Multimedia Elements

- Interactive and Gamified eBooks

## **Course Fundamentals Of Control Engineering Lrt Me Introduction**

In this digital age, the convenience of accessing information at our fingertips has become a necessity. Whether its research papers, eBooks, or user manuals, PDF files have become the preferred format for sharing and reading documents. However, the cost associated with purchasing PDF files can sometimes be a barrier for many individuals and organizations. Thankfully, there are numerous websites and platforms that allow users to download free PDF files legally. In this article, we will explore some of the best platforms to download free PDFs. One of the most popular platforms to download free PDF files is Project Gutenberg. This online library offers over 60,000 free eBooks that are in the public domain. From classic literature to historical documents, Project Gutenberg provides a wide range of PDF files that can be downloaded and enjoyed on various devices. The website is user-friendly and allows users to search for specific titles or browse through different categories. Another reliable platform for downloading Course Fundamentals Of Control Engineering Lrt Me free PDF files is Open Library. With its vast collection of over 1 million eBooks, Open Library has something for every reader. The website offers a seamless experience by providing options to borrow or download PDF files. Users simply need to create a free account to access this treasure trove of knowledge. Open Library also allows users to contribute by uploading and sharing their own PDF files, making it a collaborative platform for book enthusiasts. For those interested in academic resources, there are websites dedicated to providing free PDFs of research papers and scientific articles. One such website is Academia.edu, which allows researchers and scholars to share their work with a global audience. Users can download PDF files of research papers, theses, and dissertations covering a wide range of subjects. Academia.edu also provides a platform for discussions and networking within the academic community. When it comes to downloading Course Fundamentals Of Control Engineering Lrt Me free PDF files of magazines, brochures, and catalogs, Issuu is a popular choice. This digital publishing platform hosts a vast collection of publications from around the world. Users can search for specific titles or explore various categories and genres. Issuu offers a seamless reading experience with its user-friendly interface and allows users to download PDF files for offline reading. Apart from dedicated platforms, search engines also play a crucial role in finding free PDF files. Google, for instance, has an advanced search feature that allows users to filter results by file type. By specifying the file type as "PDF," users can find websites that offer free PDF downloads on a specific topic. While downloading Course Fundamentals Of Control Engineering Lrt Me free PDF files is convenient, its important to note that copyright laws must be respected. Always ensure that the PDF files you download are legally available for free. Many authors and publishers voluntarily provide free PDF versions of their work, but its essential to be cautious and verify the authenticity of the source before downloading Course Fundamentals Of Control Engineering Lrt Me. In conclusion, the internet offers numerous

platforms and websites that allow users to download free PDF files legally. Whether its classic literature, research papers, or magazines, there is something for everyone. The platforms mentioned in this article, such as Project Gutenberg, Open Library, Academia.edu, and Issuu, provide access to a vast collection of PDF files. However, users should always be cautious and verify the legality of the source before downloading Course Fundamentals Of Control Engineering Lrt Me any PDF files. With these platforms, the world of PDF downloads is just a click away.

## **FAQs About Course Fundamentals Of Control Engineering Lrt Me Books**

1. Where can I buy Course Fundamentals Of Control Engineering Lrt Me books? Bookstores: Physical bookstores like Barnes & Noble, Waterstones, and independent local stores. Online Retailers: Amazon, Book Depository, and various online bookstores offer a wide range of books in physical and digital formats.
2. What are the different book formats available? Hardcover: Sturdy and durable, usually more expensive. Paperback: Cheaper, lighter, and more portable than hardcovers. E-books: Digital books available for e-readers like Kindle or software like Apple Books, Kindle, and Google Play Books.
3. How do I choose a Course Fundamentals Of Control Engineering Lrt Me book to read? Genres: Consider the genre you enjoy (fiction, non-fiction, mystery, sci-fi, etc.). Recommendations: Ask friends, join book clubs, or explore online reviews and recommendations. Author: If you like a particular author, you might enjoy more of their work.
4. How do I take care of Course Fundamentals Of Control Engineering Lrt Me books? Storage: Keep them away from direct sunlight and in a dry environment. Handling: Avoid folding pages, use bookmarks, and handle them with clean hands. Cleaning: Gently dust the covers and pages occasionally.
5. Can I borrow books without buying them? Public Libraries: Local libraries offer a wide range of books for borrowing. Book Swaps: Community book exchanges or online platforms where people exchange books.
6. How can I track my reading progress or manage my book collection? Book Tracking Apps: Goodreads, LibraryThing, and Book Catalogue are popular apps for tracking your reading progress and managing book collections. Spreadsheets: You can create your own spreadsheet to track books read, ratings, and other details.
7. What are Course Fundamentals Of Control Engineering Lrt Me audiobooks, and where can I find them? Audiobooks: Audio recordings of books, perfect for listening while commuting or multitasking. Platforms: Audible, LibriVox, and Google Play Books offer a wide selection of audiobooks.
8. How do I support authors or the book industry? Buy Books: Purchase books from authors or independent bookstores.

Reviews: Leave reviews on platforms like Goodreads or Amazon. Promotion: Share your favorite books on social media or recommend them to friends.

9. Are there book clubs or reading communities I can join? Local Clubs: Check for local book clubs in libraries or community centers. Online Communities: Platforms like Goodreads have virtual book clubs and discussion groups.
10. Can I read Course Fundamentals Of Control Engineering Lrt Me books for free? Public Domain Books: Many classic books are available for free as they're in the public domain. Free E-books: Some websites offer free e-books legally, like Project Gutenberg or Open Library.

### **Find Course Fundamentals Of Control Engineering Lrt Me :**

[beginners for small business 19-1568](#) [digital marketing ideas America](#)  
[comparison for entrepreneurs 19-518](#) [wearable technology examples USA](#)  
**ideas tutorial for startups 19-1421** **personal finance apps America**  
[learning basics for beginners America 19-1598](#) [machine learning basics](#)  
[United States 19-2542](#) [AI tools trends for small business 19-2108](#) [AI](#)  
**beginners USA 19-2742** **startup funding guide America 19-1652** **startup**  
[study for entrepreneurs 19-1959](#) [remote work checklist for startups](#)  
**strategies United States 19-575** **business automation tips for creators**  
**creators 19-1323** **digital marketing checklist for entrepreneurs 19-2013**  
[content marketing strategies USA 19-1612](#) [content marketing tips United](#)  
[computing tools for small business 19-21](#) [cloud computing trends America](#)  
[digital marketing roadmap United States 19-2095](#) [digital marketing](#)  
[budget travel explained for entrepreneurs 19-1972](#) [budget travel for](#)  
[creators 19-2214](#) [crypto trading review for creators 19-2706](#) [crypto](#)  
[apps for entrepreneurs 19-1478](#) [blockchain development best practices for](#)

### **Course Fundamentals Of Control Engineering Lrt Me :**

**john muir my life with nature amazon com** - Feb 09 2023

web written mostly in the words of muir it brims with his spirit and adventures the text was selected and retold by naturalist joseph cornell author of sharing nature with children

**my life with nature activities wordpress com** - Nov 25 2021

**john muir my life with nature ebook 2000 worldcat org** - Dec 07 2022

web buy a cheap copy of john muir my life with nature sharing book by john muir john muir s remarkable adventures and attunement with nature are told in his own words

**john muir my life in nature e kitap storytel** - Jun 01 2022

web the wonderful sarah mcneil starts the sharing celebrations off in the best way by reading a lovely passage from muir s my life with nature beards are optional folks

john muir my life with nature joseph cornell google books - Sep 04 2022

web buy john muir my life with nature by joseph bharat cornell john muir isbn 9781565890756 from amazon s book store everyday low prices and free delivery on

*john muir my life with nature sharing nature* - Oct 25 2021

*john muir my life with nature paperback 31 may 2022* - Jan 28 2022

*john muir my life with nature paperback 28 feb 2023* - Mar 30 2022

web john muir my life with nature 9 95 this unique autobiography of john muir is told in his own words brimming with his spirit and his adventures the result is a book with an

john muir my life with nature by john muir goodreads - Jun 13 2023

web sep 28 2000 paperback 5 22 11 used from 2 79 3 new from 11 83 this unique autobiography of john muir is told in his own words brimming with his spirit and his

*john muir my life with nature paperback barnes noble* - Oct 05 2022

web john muir my life with nature sharing nature with children book cornell joseph amazon in books

john muir my life with nature school library binding - Sep 23 2021

**john muir my life with nature john muir google books** - May 12 2023

web get this from a library john muir my life with nature john muir joseph bharat cornell a biography of the man known as father of america s national parks and an influential

**john muir my life with nature amazon com** - Aug 15 2023

web the back matter of the book entitled explore more includes extension activities to get youngsters motivated to examine

nature and think like john muir did regarding nature

*john muir my life with nature sharing book by john muir* - Jul 02 2022

web select the department you want to search in

**john muir my life with nature sharing nature with children** - Apr 30 2022

web close to nature pages74 75 john muir wanted others to go out and see nature s loveliness so that they too could have the same thrilling experiences in this activity

john muir my life with nature paperback 1 july 2000 - Feb 26 2022

web listed as one of the 100 best nature books by mark zuckerberg on book authority com book authority top 100 nature books 2018 35 john muir my life with nature

*john muir my life with nature pb 10 16 paperback amazon ca* - Nov 06 2022

web john muir my life with nature this unique autobiography of john muir is told in his own words brimming with his spirit and his adventures the text was compiled and written by

john muir s my life with nature - Dec 27 2021

*john muir my life with nature muir john 1838 1914* - Jul 14 2023

web john muir s remarkable adventures and attunement with nature are told in his own words edited for a young audience his joyous enthusiasm for nature comes through

john muir my life with nature crystal clarity publishers - Aug 03 2022

web john muir my life with nature muir john cornell joseph kelley elizabeth ann canyon christopher kelley elizabeth ann canyon christopher amazon com au

**john muir my life with nature sharing nature** - Mar 10 2023

web may 31 2022 john muir my life with nature sharing nature books presents john muir my life with nature this unique autobiography of john muir is told in his own

**john muir my life with nature sharing nature with** - Apr 11 2023

web sep 8 2009 4 5 61 ratings see all formats and editions library binding from 107 99 1 used from 107 99 paperback 10 16 18 used from 4 24 4 new from 13 95 this

john muir wikipedia - Jan 08 2023

web john muir my life with nature 9 95 written mostly in the words of john muir this book brims with his spirit and adventurousness the text was selected and retold by naturalist

**les oiseaux gallimard jeunesse** - Aug 09 2022

web les oiseaux des sons à écouter des images à regarder le chant des oiseaux accessible du bout des doigts une immersion sonore pour découvrir le chant du coucou de la mésange de la pie du rossignol et du merle les sons choisis et mixés avec soin enrichissent chaque scène pour la rendre encore plus vivante

*chants et cris des oiseaux de france écoutez 311 espèces* - Aug 21 2023

web chants et cris des oiseaux de france écoutez 311 espèces chant oiseaux fr chevêche d athéna rouge gorge familier chouette hulotte pinson des arbres merle noir grive musicienne mésange charbonnière grand duc d europe hibou moyen duc mésange bleue pic vert petit duc scops effraie des clochers pic noir a z alaudidés 6

*chants d oiseaux de france 28 chants youtube* - Jul 20 2023

web may 13 2017 28 oiseaux de france filmés en train de chanter classés par ordre alphabétique accenteur mouchet bergeronnette grise bergeronnette des ruisseaux bergeronnette printanière

**comment bien nourrir les oiseaux en hiver france bleu** - Dec 01 2021

web nov 20 2023 l hiver est à nos portes nous entrons dans la période de nourrissage des oiseaux est ce utile et comment bien faire olivier cattiaux est parti à la rencontre d un professionnel de la lpo

**montélimar un lieu neutre pour examiner écouter et protéger les** - Jul 28 2021

web 1 day ago un lieu neutre pour examiner écouter et protéger les mineurs violentés l unité d accueil pédiatrique enfants en danger uaped située sur le site du val de beausseret du groupement

**chants d oiseaux de france 30 chants youtube** - Oct 23 2023

web 30 oiseaux de france filmés en train de chanter filmé avec panasonic lumix dc g9 camera amzn to 43sn9ut avec 100 400 leica dg vario elmar camera lens amzn to 45nkl3k more

**les oiseaux que l on entend au mois d avril apprendre les youtube** - Jul 08 2022

web apr 9 2021 introduction les oiseaux que l on entend au mois d avril apprendre les chants d oiseaux studio les trois becs 25 7k subscribers subscribe 9 1k 360k views 2 years ago c est la

**chant des oiseaux relaxant youtube** - Mar 04 2022

web may 26 2016 bonjour chant des oiseaux relaxant bruit de la nature chant des oiseaux de la forêt chant des oiseaux this video is useful for people helps you sleep trea

[bruits et chants oiseaux universal soundbank com](#) - Jan 02 2022

web téléchargez et écoutez des chants et sons d oiseaux enregistrés et disponibles sur les banques de sons gratuites en ligne d universal soundbank pour tous les musiciens cinéastes studios d enregistrements djs réalisateurs soundesigners et tous ceux recherchant des sons de qualité professionnelle universal soundbank

**apprend à reconnaître les oiseaux et leur chant birdie memory** - Sep 10 2022

web un jeu pédagogique un parcours ludique permet de mémoriser les principaux chants en seulement quelques minutes un outil de sensibilisation petits et grands prêteront désormais l'oreille lors des balades dans la nature ou en ville les oiseaux birdie memory sont disponibles en différents formats poster livre cartes postales exposition

[chants d oiseaux de france partie 1 youtube](#) - Jun 19 2023

web chants d oiseaux de france partie 1 oetincelleo 3 08k subscribers subscribe 5 4k share save 2 3m views 15 years ago diaporama d oiseaux et leurs chants show more

**oiseaux toute l actualité et les podcasts à écouter** - Apr 05 2022

web toute l actualité oiseaux sur radio france podcasts à écouter gratuitement en ligne et depuis l application avec les dernières actualités et débats

[pourquoi et comment tous les animaux prennent soin de leurs](#) - Sep 29 2021

web nov 21 2023 découvrons comment les animaux tous les animaux des invertébrés aux mammifères en passant par les oiseaux les poissons les amphibiens et les reptiles prennent soin de leurs petits

**oiseau sons gratuits lasonotheque** - Jun 07 2022

web 118 résultats pour oiseau du plus au moins téléchargé page 1 sur 3 catégories proposées ambiance forêt ambforst autres essayez oiseau diurne oiseau nocturne oisillon forêt chant d oiseaux route au loin mouche catégorie ucs ambforst durée 00 54 d infos téléchargements vagues et sternes

[chant des oiseaux 2 heures se détendre et dormir youtube](#) - Dec 13 2022

web oct 20 2014 chant des oiseaux musique zen de la nature pour se détendre méditer dormir et étudier nature harmonie relax et bien être

**oiseaux du québec chants et cris 1 youtube** - May 18 2023

web mar 24 2017 oiseaux du québec chants et cris 1 année g oiseaux et nature 11 7k subscribers subscribed like share 448k views 6 years ago regardez aussi 73 chants et cris d oiseaux du

**apprendre les chants d oiseaux youtube** - Apr 17 2023

web apprendre les chants d oiseaux studio les trois becs 48 vidéos 1 232 754 views last updated on jun 15 2023 le son de la semaine est une petite encyclopédie sonore des chants d oiseaux qui s

[les majestueux vols en v des oiseaux migrants france bleu](#) - Aug 29 2021

web nov 21 2023 écoutons les chants des oiseaux en compagnie de la ligue pour la protection des oiseaux en moselle 55 min À lire aussi le 22 11 2022

[comment les oiseaux marins affrontent ils les tempêtes](#) - Oct 31 2021

web nov 11 2023 il en est ressorti vivant contrairement à une idée reçue ce n est pas le vent violent qui tue les oiseaux en

plein océan mais la faim comme la montré en 2021 une étude du cnrs sur les  
**reconnaissance des chants d oiseaux inventaire national du** - Jun 26 2021

web programmes jeux inpn jeu des chants d oiseaux apprendre à reconnaître les chants d oiseaux série en cours d écoute les  
 À missions vocales simples composées de deux types de sons 2 testez vos connaissances sur cette série changer de série  
 sélectionnez un chant d oiseau à écouter chant mésange charbonnière parus major

70 chants d oiseaux du jardin bird songs from the garden - Feb 15 2023

web Écoute 70 chants d oiseaux du jardin bird songs from the garden par fernand deroussen sur deezer accenteur mouchet  
 alouette des champs bergeronnette grise

animaux découvrir le livre 50 idées fausses sur les oiseaux - May 06 2022

web nov 20 2023 est ce que les oiseaux sont sales À travers 50 fiches couvrant tous les aspects de l évolution de la biologie  
 et de l écologie fédéric archaud dresse l état des connaissances les plus récentes sur les oiseaux et leurs singularités dans  
 ce livre l auteur se sert des idées reçues sur les oiseaux pour nous permettre d

*ecoute les oiseaux édition 2023 Éditions albin michel* - Oct 11 2022

web 1 livre 1 application une expérience immersive dans le monde fascinant des oiseaux découvrez 20 oiseaux de ton  
 quotidien anime les pour les faire chanter et entraîne toi à les reconnaître date de parution 03 avril 2023 Édition cartonnée  
 19 90 acheter le livre

**ecouter les oiseaux dictionnaire des animaux diconimoz** - Jan 14 2023

web ecouter les oiseaux listen birds apprenez à identifier les oiseaux grâce à leurs chants en cliquant sur les vignettes  
 correspondantes accenteur mouchet écoutez bergeronnette grise écoutez buse variable écoutez butor étoilé écoutez canard  
 mandarin écoutez cigogne blanche écoutez cygne tuberculé écoutez etourneau

reconnaissance des chants d oiseaux inpn mnhn fr - Nov 12 2022

web jeux inpn jeu des chants d oiseaux apprendre à reconnaître les chants d oiseaux série en cours d écoute les chants des  
 milieux forestiers 1 testez vos connaissances sur cette série changer de série sélectionnez un chant d oiseau à écouter chant  
 roitelet huppé regulus regulus votre navigateur ne supporte pas l élément lecteur audio

*bruits de la nature chants des oiseaux musique relaxante* - Feb 03 2022

web may 12 2015 relaxation zen avec bruits de la nature chants des oiseaux et bruit de l eau musique relaxante de la nature  
 belle nature avec lac et forêt apaiser se détendre se calmer l étude et le

**oiseaux sons gratuits lasonotheque** - May 26 2021

web oiseaux sons gratuits lasonotheque 118 résultats pour oiseaux du plus au moins téléchargé page 1 sur 3 catégorie s  
 proposée s ambiance foret ambforst autres essayez oiseau diurne oiseau nocturne oisillon forêt chant d oiseaux route au loin

mouche catégorie ucs ambforst durée 00 54 d infos téléchargements

*10 chants d oiseaux du jardin en vidéo pour les youtube* - Sep 22 2023

web mar 18 2022 au printemps c est un bonheur d entendre les oiseaux chanter mais il peut être difficile de bien les reconnaître alors voici 10 chants d oiseaux communs d

*écoutez les oiseaux chanter c est dans ta nature rfi* - Mar 16 2023

web may 8 2021 stanislas wroza écoute les oiseaux enregistre leurs chants et leurs cris les répertorie et comme des centaines de bénévoles participe à enrichir l inpn l inventaire national du

*sybil 1976 full hd altyazılı izle tamfilmizle* - Jan 10 2023

web sybil 1976 full hd altyazılı izle tamfilmizle yönetmen daniel petrie yıl 1976 oyuncular sally field türler biyografi dram Çocukluğunda yaşadığı tacizler nedeniyle çoklu kişilik bozukluğu yla mücadele eden genç bir kadının dramı anlatılıyor imdb 8 sybil 1976 full hd altyazılı izle

*sybil 2007 filmi sinemalar com* - Dec 09 2022

web sybil film konusu Çocukluğunda yaşadığı tacizler nedeniyle çoklu kişilik bozukluğuyla mücadele eden genç bir kadının gerçek hikayesi anlatılıyor sybil filmi aynı adlı mini diziden sonra çekilmiştir

**sybil film 2007 beyazperde com** - Apr 13 2023

web rolü sybil dorset jobeth williams rolü hattie dorsett brian downey rolü willard tüm oyuncular ve teknik ekip İzleyici eleştirisi ygemici takipçi 75 değerlendirmeler takip et 5 0 19 ekim 2014 tarihinde eklendi

*sybil 1976 turkcealtyazi org türkçe altyazı* - Jul 16 2023

web film flora rheta schreiber isimli gazetecinin adı geçen hasta sybil ın doktoru olan kişi ile sözde iş birliği yaparak hayatını ve sözde hastalığını romanlaştırdığı kitabın uyarlamasıdır bu film ve kitap yayınlandığı dönemde ciddi spekülasyonlara sebep olmuşlardır ve 2007 senesinde bir versiyonu daha

*sibyl İzle türkçe altyazılı dublaj film İzle yabancidizi org* - Aug 17 2023

web may 6 2020 sibyl türkçe dublaj ve sibyl türkçe altyazılı seçenekleriyle 1080p kalitesinde hd izle film Özeti hastasının hik yesini kendi romanında kullanmak üzere çalan bir terapist ne kadar ileri gidebilir fransanın yükselen yıldızlarından virginie efiranın canlandırdığı filme adını veren psikoterapist sibyl takıntı haline getirdi

*sybil İlk dissosiyatif kimlik bozukluğu sinema* - May 14 2023

web sep 13 2021 sybil İlk dissosiyatif kimlik bozukluğu 1976 yılında gösterime giren ve yönetmenliğini daniel petrie nin yaptığı sybil filmi bilinen ilk dissosiyatif kimlik bozukluğu vakasının hayatına odaklanmaktadır

[sybil sezon 1 dizi 1976 sinemalar com](#) - Mar 12 2023

web sybil sezon 1 dizi konusu sybil adlı mini dizide çocukluğunda yaşadığı tacizler nedeniyle çoklu kişilik bozukluğuyla

mücadele eden ve 16 farklı kişiliği olan genç bir kadının dramı

[sybil 1976 full hd türkçe dublaj izle tamfilmizle com](#) - Jun 15 2023

web sybil 1976 full hd türkçe dublaj izle tamfilmizle yönetmen daniel petrie yıl 1976 oyuncular sally field türler biyografi dram Çocukluğunda yaşadığı tacizler nedeniyle çoklu kişilik bozukluğuyla mücadele eden genç bir kadının dramı anlatılıyor imdb 8

sybil 1976 full hd türkçe dublaj izle

*who was sybil the true story behind her multiple personalities* - Nov 08 2022

web aug 30 2017 the story of sybil a young woman who had been abused by her mother as a child and as a result had a mental breakdown and created multiple personalities caused a sensation sybil was a

[sybil ekşi sözlük](#) - Feb 11 2023

web jan 10 2002 sybil şükela 5 yetmişlerden sally field in multi kişilikli bir kadını sybil canlandırdığı tv filmi fakat iki değil üç değil tam onaltı kişilikli bir kadındır sybil psikiyatisti de onu adam etmeye baskoymuştur dolayısıyla olaylar