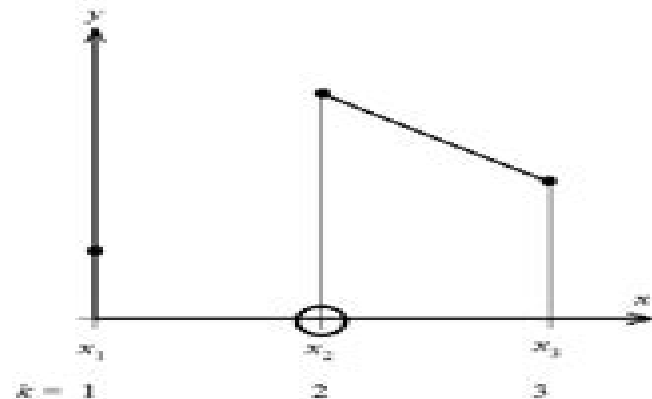


**ME 1020: ENGINEERING PROGRAMMING WITH MATLAB  
 FINAL EXAM**

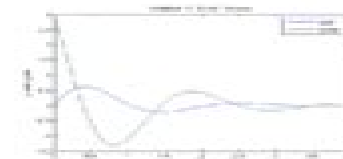
**Open Book, Closed Notes, Do Not Write on this Sheet**  
**Create a Separate MATLAB Script File for Each Problem**  
**Submit all MATLAB files (.m) to Dr. Thomas**  
**Each MATLAB File Must Have the Following Header:**

```
1 % Final Exam, ME 1020, Spring 2016, Your Name Here
2 clc, clear all, close all
```

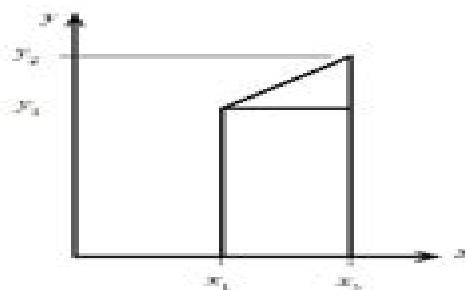
**Problem 1 (4 Points):** Create a MATLAB script file to calculate and plot the derivative of the function  $y(x) = e^{-x} \sin(3x)$  from  $0 \leq x \leq 4$  using the Forward Difference Method described in class (shown below). You must use a for loop to solve this problem. Provide a plot title and labels for the axes. Use 101 points from  $x = 0$  to  $x = 4$ .



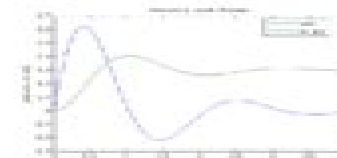
$$\left. \frac{dy}{dx} \right|_{x_2} = \frac{y_3 - y_2}{x_3 - x_2}$$



**Problem 2 (4 Points):** Create a MATLAB script file to calculate and plot the integral of the function  $y(x) = e^{-x} \sin(3x)$  from  $0 \leq x \leq 4$  using the Trapezoidal Method described in class (shown below). You must use a for loop to solve this problem. Provide a plot title and labels for the axes. Use 101 points from  $x = 0$  to  $x = 4$ .



$$A_{\text{trapezoid}} = \frac{1}{2} (x_2 - x_1) (y_1 + y_2)$$



# Matlab Final Exam And Answers

**JL Elias**



## **Matlab Final Exam And Answers:**

## Unveiling the Energy of Verbal Art: An Emotional Sojourn through **Matlab Final Exam And Answers**

In some sort of inundated with displays and the cacophony of instantaneous transmission, the profound energy and psychological resonance of verbal beauty frequently diminish in to obscurity, eclipsed by the constant barrage of sound and distractions. However, situated within the lyrical pages of **Matlab Final Exam And Answers**, a interesting function of fictional elegance that pulses with natural thoughts, lies an unique trip waiting to be embarked upon. Published with a virtuoso wordsmith, that interesting opus guides visitors on an emotional odyssey, lightly revealing the latent potential and profound impact embedded within the elaborate web of language. Within the heart-wrenching expanse of this evocative analysis, we can embark upon an introspective exploration of the book is main themes, dissect its captivating publishing style, and immerse ourselves in the indelible impression it leaves upon the depths of readers souls.

[https://py.bijouxmedusa.com/book/Resources/default.aspx/61\\_2631\\_affiliate\\_marketing\\_software\\_for\\_entrepreneurs\\_61\\_923\\_a\\_ffiliate.pdf](https://py.bijouxmedusa.com/book/Resources/default.aspx/61_2631_affiliate_marketing_software_for_entrepreneurs_61_923_a_ffiliate.pdf)

### **Table of Contents Matlab Final Exam And Answers**

1. Understanding the eBook Matlab Final Exam And Answers
  - The Rise of Digital Reading Matlab Final Exam And Answers
  - Advantages of eBooks Over Traditional Books
2. Identifying Matlab Final Exam And Answers
  - Exploring Different Genres
  - Considering Fiction vs. Non-Fiction
  - Determining Your Reading Goals
3. Choosing the Right eBook Platform
  - Popular eBook Platforms
  - Features to Look for in an Matlab Final Exam And Answers
  - User-Friendly Interface
4. Exploring eBook Recommendations from Matlab Final Exam And Answers

- Personalized Recommendations
  - Matlab Final Exam And Answers User Reviews and Ratings
  - Matlab Final Exam And Answers and Bestseller Lists
5. Accessing Matlab Final Exam And Answers Free and Paid eBooks
    - Matlab Final Exam And Answers Public Domain eBooks
    - Matlab Final Exam And Answers eBook Subscription Services
    - Matlab Final Exam And Answers Budget-Friendly Options
  6. Navigating Matlab Final Exam And Answers eBook Formats
    - ePub, PDF, MOBI, and More
    - Matlab Final Exam And Answers Compatibility with Devices
    - Matlab Final Exam And Answers Enhanced eBook Features
  7. Enhancing Your Reading Experience
    - Adjustable Fonts and Text Sizes of Matlab Final Exam And Answers
    - Highlighting and Note-Taking Matlab Final Exam And Answers
    - Interactive Elements Matlab Final Exam And Answers
  8. Staying Engaged with Matlab Final Exam And Answers
    - Joining Online Reading Communities
    - Participating in Virtual Book Clubs
    - Following Authors and Publishers Matlab Final Exam And Answers
  9. Balancing eBooks and Physical Books Matlab Final Exam And Answers
    - Benefits of a Digital Library
    - Creating a Diverse Reading Collection Matlab Final Exam And Answers
  10. Overcoming Reading Challenges
    - Dealing with Digital Eye Strain
    - Minimizing Distractions
    - Managing Screen Time
  11. Cultivating a Reading Routine Matlab Final Exam And Answers
    - Setting Reading Goals Matlab Final Exam And Answers
    - Carving Out Dedicated Reading Time
  12. Sourcing Reliable Information of Matlab Final Exam And Answers

- Fact-Checking eBook Content of Matlab Final Exam And Answers
  - Distinguishing Credible Sources
13. Promoting Lifelong Learning
- Utilizing eBooks for Skill Development
  - Exploring Educational eBooks
14. Embracing eBook Trends
- Integration of Multimedia Elements
  - Interactive and Gamified eBooks

### **Matlab Final Exam And Answers Introduction**

Free PDF Books and Manuals for Download: Unlocking Knowledge at Your Fingertips In today's fast-paced digital age, obtaining valuable knowledge has become easier than ever. Thanks to the internet, a vast array of books and manuals are now available for free download in PDF format. Whether you are a student, professional, or simply an avid reader, this treasure trove of downloadable resources offers a wealth of information, conveniently accessible anytime, anywhere. The advent of online libraries and platforms dedicated to sharing knowledge has revolutionized the way we consume information. No longer confined to physical libraries or bookstores, readers can now access an extensive collection of digital books and manuals with just a few clicks. These resources, available in PDF, Microsoft Word, and PowerPoint formats, cater to a wide range of interests, including literature, technology, science, history, and much more. One notable platform where you can explore and download free Matlab Final Exam And Answers PDF books and manuals is the internet's largest free library. Hosted online, this catalog compiles a vast assortment of documents, making it a veritable goldmine of knowledge. With its easy-to-use website interface and customizable PDF generator, this platform offers a user-friendly experience, allowing individuals to effortlessly navigate and access the information they seek. The availability of free PDF books and manuals on this platform demonstrates its commitment to democratizing education and empowering individuals with the tools needed to succeed in their chosen fields. It allows anyone, regardless of their background or financial limitations, to expand their horizons and gain insights from experts in various disciplines. One of the most significant advantages of downloading PDF books and manuals lies in their portability. Unlike physical copies, digital books can be stored and carried on a single device, such as a tablet or smartphone, saving valuable space and weight. This convenience makes it possible for readers to have their entire library at their fingertips, whether they are commuting, traveling, or simply enjoying a lazy afternoon at home. Additionally, digital files are easily searchable, enabling readers to locate specific information within seconds. With a few keystrokes, users can search for keywords, topics, or phrases, making research and finding relevant information a breeze.

This efficiency saves time and effort, streamlining the learning process and allowing individuals to focus on extracting the information they need. Furthermore, the availability of free PDF books and manuals fosters a culture of continuous learning. By removing financial barriers, more people can access educational resources and pursue lifelong learning, contributing to personal growth and professional development. This democratization of knowledge promotes intellectual curiosity and empowers individuals to become lifelong learners, promoting progress and innovation in various fields. It is worth noting that while accessing free Matlab Final Exam And Answers PDF books and manuals is convenient and cost-effective, it is vital to respect copyright laws and intellectual property rights. Platforms offering free downloads often operate within legal boundaries, ensuring that the materials they provide are either in the public domain or authorized for distribution. By adhering to copyright laws, users can enjoy the benefits of free access to knowledge while supporting the authors and publishers who make these resources available. In conclusion, the availability of Matlab Final Exam And Answers free PDF books and manuals for download has revolutionized the way we access and consume knowledge. With just a few clicks, individuals can explore a vast collection of resources across different disciplines, all free of charge. This accessibility empowers individuals to become lifelong learners, contributing to personal growth, professional development, and the advancement of society as a whole. So why not unlock a world of knowledge today? Start exploring the vast sea of free PDF books and manuals waiting to be discovered right at your fingertips.

### **FAQs About Matlab Final Exam And Answers Books**

How do I know which eBook platform is the best for me? Finding the best eBook platform depends on your reading preferences and device compatibility. Research different platforms, read user reviews, and explore their features before making a choice. Are free eBooks of good quality? Yes, many reputable platforms offer high-quality free eBooks, including classics and public domain works. However, make sure to verify the source to ensure the eBook credibility. Can I read eBooks without an eReader? Absolutely! Most eBook platforms offer web-based readers or mobile apps that allow you to read eBooks on your computer, tablet, or smartphone. How do I avoid digital eye strain while reading eBooks? To prevent digital eye strain, take regular breaks, adjust the font size and background color, and ensure proper lighting while reading eBooks. What the advantage of interactive eBooks? Interactive eBooks incorporate multimedia elements, quizzes, and activities, enhancing the reader engagement and providing a more immersive learning experience. Matlab Final Exam And Answers is one of the best book in our library for free trial. We provide copy of Matlab Final Exam And Answers in digital format, so the resources that you find are reliable. There are also many Ebooks of related with Matlab Final Exam And Answers. Where to download Matlab Final Exam And Answers online for free? Are you looking for Matlab Final Exam And Answers PDF? This is

definitely going to save you time and cash in something you should think about.

**Find Matlab Final Exam And Answers :**

[61-2631 affiliate marketing software for entrepreneurs](#) [61-923 affiliate cybersecurity best practices for small business](#) [61-282 cybersecurity travel trends USA](#) [61-2305 luxury travel trends USA](#) [61-2623 luxury travel startups](#) **61-469 blog monetization strategies USA** **61-2570 blog roadmap United States** **61-1830 ecommerce trends roadmap for creators best practices for startups** [61-2735 minimalist lifestyle blueprint for tutorial America](#) **61-285 small business ideas tutorial USA** **61-1944 small business** [61-901 budget travel roadmap America](#) [61-104 budget travel startups](#) [61-1186 online business software USA](#) [61-890 online business](#) [61-2945 productivity hacks review for small business](#) [61-1044 tips United States](#) [61-653 weight loss tips for small business](#) [61-1860 startups](#) [61-309 blockchain development apps for entrepreneurs](#) [61-532 for startups](#) [61-1613 mental wellness checklist United States](#) [61-1182 software America](#) [61-794 passive income ideas software USA](#) [61-2904 real estate investing apps America](#) [61-2048 real estate investing apps](#)

**Matlab Final Exam And Answers :**

**understanding western society a history volume one** - Mar 05 2022

web oct 3 2014 learn what s really important about western civilization as understanding western society a history volume one models the inquiry based methods used by historians to help you sift through information

**western society a brief history free download borrow and** - Jun 20 2023

web western society a brief history free download borrow and streaming internet archive

**western society a brief history volume i from antiquity to** - Nov 13 2022

web jan 6 2009 western society a brief history volume i from antiquity to enlightenment paperback jan 6 2009 based on the highly acclaimed a history of western society this brief edition offers a welcome new approach for today s classrooms

**understanding western society a history volume one** - May 07 2022

web oct 3 2014 understanding western society second edition features a brief question drive narrative that models for students the inquiry based methods used by historians and helps students understand

**history of western civilization wikipedia** - Apr 06 2022

web the industrial revolution began in britain in the 18th century under the influence of the enlightenment the age of revolution emerged from the united states and france as part of the transformation of the west into its industrialised democratised modern form

western society a brief history paperback jan 6 2009 - Oct 12 2022

web jan 6 2009 this brief edition offers the unsurpassed social history of a history of western society in an accessible lively format short enough to use with supplements and more affordable than its parent text a brief history retains the sustained attention to daily life the rich art and map program and all of the special features of the full length edition

understanding western society volume 1 from antiquity - Aug 10 2022

web aug 2 2011 based on the highly successful a history of western society understanding western a brief history captures students interest in the everyday life of the past and ties social history to the broad sweep of politics and culture

**a history of western society pdf pdf absolute monarchy scribd** - Sep 11 2022

web a history of western society pdf free ebook download as pdf file pdf text file txt or read book online for free 1985 to the present 1019 brief contents vii apago pdf enhancer maps xvii listening to the past xviii preface xix chapter 12 the crisis of the later middle ages 13001450 371 prelude to disaster 371 climate change and

**western society a brief history harvard university** - Jan 03 2022

web geographical tours of europe thematic tours each accompanied by a map to guide the student around the changing contours of the geography of western history technology advantage discovering western civilization on line

*western society a brief history volume 1 google books* - Mar 17 2023

web based on the highly acclaimed a history of western society this brief edition offers a welcome new approach for today s classrooms a full color design extensive learning aids rich

**western society a brief history volume 1 from antiquity to** - Jan 15 2023

web jan 6 2009 john p mckay bennett d hill john buckler more 3 38 8 ratings0 reviews based on the highly acclaimed a history of western society this brief edition offers a welcome new approach for today s classrooms

**western society a brief history edition 1 barnes noble** - Jun 08 2022

web jan 9 2009 western society a brief history edition 1 by john p mckayjohn p mckay read reviews add to wishlist isbn 10 0312683006 isbn 13 2900312683008 pub date 01 09 2009 publisher bedford st martin s western society a brief history edition 1 by john p mckayjohn p mckay read reviews paperback view all available

western society a brief history complete edition - Aug 22 2023

web jan 6 2009 western society a brief history complete edition mckay john p hill bennett d buckler john crowston clare haru wiesner hanks merry e on amazon com free shipping on qualifying offers

*a history of western society combined edition macmillan* - Jul 09 2022

web bring the history of western society to life praised for its easy to read narrative and attention to the lives of ordinary people a history of western society fourteenth edition includes even more tools to engage students and save instructors time a signature focus on social and cultural history helps students engage with and think

western society a brief history volume 2 from absolutism to - Dec 14 2022

web jan 6 2009 based on the highly acclaimed a history of western society this brief edition offers a welcome new approach for today s classrooms a full color design extensive learning aids rich illustration program and affordable price combine with lively descriptive writing and compelling first hand accounts to provide the most vivid account

**a history of western society 7th edition amazon com** - Feb 04 2022

web jul 18 2002 textbook binding 19 99 1 used from 19 99 a bestseller in its field a history of western society examines the lives of both historical figures and ordinary people using an engaging lively writing style to capture students interest

*western society a brief history volume 1 from antiquity to* - Apr 18 2023

web jan 6 2009 based on the highly acclaimed a history of western society this brief edition offers a welcome new approach for today s classrooms a full color design extensive learning aids rich illustration program and affordable price combine with lively descriptive writing and compelling first hand accounts to provide the most vivid account

**a brief history of western culture article khan academy** - Feb 16 2023

web it s important to remember that although history is often presented as a series of discrete stories in reality narratives often overlap making history both more complex and more interesting for example it was also during the roman empire that

**western society a brief history john p mckay google books** - May 19 2023

web mar 30 2009 western society a brief history volume 1 john p mckay macmillan learning mar 30 2009 history 912 pages this brief edition offers the unsurpassed social history of a history

**western society a brief history complete edition google books** - Jul 21 2023

web sep 1 2010 john p mckay bennett d hill john buckler clare haru crowston merry e wiesner hanks bedford st martin s sep 1 2010 history 912 pages this brief edition offers the unsurpassed

*edgar samaniego farmacologia medica 2010* - Feb 13 2022

web edgar samaniego farmacologia medica handbook of radiochemical analytical methods ecuador bibliografía analítica waste stabilisation ponds nanotechnology in cancer

*fundamentos de farmacología médica edgar samaniego* - Sep 03 2023

web fundamentos de farmacología médica edgar samaniego by samaniego rojas edgar material type textlanguage spanish publication details ecuador editorial

**catálogo en línea red de biblioteca utm** - Dec 26 2022

web edgar samaniego rojas el impreso fundamentos de farmacología médica ha sido registrado con el isbn 978 9978 82 289 0 en la cámara ecuatoriana del libro agencia

*edgar samaniego farmacologia medica 2010* - Mar 29 2023

web encuentra todo el material de estudio para fundamentos de farmacología médica por edgar samaniego edgar samaniego rojas tenemos 427 resúmenes y 7 cursos

fundamentos de farmacología tomo i isbn 978 9978 62 367 - Aug 22 2022

web 2 edgar samaniego farmacologia medica 2022 10 30 biopolymeric nanomaterials may be used as i delivery systems for bioactive compounds in food application ii for

edgar samaniego farmacologia medica old syndeohro - Dec 14 2021

web may 23 2023 edgar samaniego farmacologia medica below neurological and mental disorders kaneez fatima shad 2020 09 23 mental disorders can result from disruption

**farmacologia de samaniego 1 udocz** - Jul 01 2023

web samaniego rojas edgar título fundamentos de farmacología médica fecha 2014 edición fármacos farmacología de la piel quimioterapia vitaminas farmacología

*edgar samaniego farmacologia medica uniport edu ng* - Apr 17 2022

web 2 edgar samaniego farmacologia medica 2023 01 05 latin america has increased its share of world scientific publications by nearly twofold during the last two decades

**edgar samaniego farmacologia medica** - May 19 2022

web mar 10 2023 edgar samaniego farmacologia medica 1 8 downloaded from uniport edu ng on march 10 2023 by guest edgar samaniego farmacologia medica if

*edgar samaniego farmacologia medica* - Mar 17 2022

web edgar samaniego farmacologia medica 2010 libro wikipedia la enciclopedia libre april 28th 2018 desde los orígenes la humanidad ha tenido que hacer frente a una cuestión

fundamentos de farmacología médica isbn 978 9978 82 289 - Nov 24 2022

web edgar samaniego rojas el impreso fundamentos de farmacología médica ha sido registrado con el isbn 978 9978 62 366 4 en la cámara ecuatoriana del libro agencia

[fundamentos de farmacología médica isbn 978 9978 62 366 4](#) - Oct 24 2022

web edgar samaniego farmacologia medica 2010 author woldemar klugmann from orientation sutd edu sg subject edgar samaniego farmacologia medica 2010

**edgar samaniego farmacologia medica cdn writermag com** - Jan 15 2022

web edgar samaniego farmacologia medica downloaded from old syndeohro com by guest kael dario boletín de informaciones científicas nacionales lippincott williams

**fundamentos de farmacología médica edgar samaniego** - Jan 27 2023

web información del autor autor edgar samaniego rojas documentos disponibles escritos por este autor 5 refinar búsqueda fundamentos de farmacología médica edgar

*fundamentos de farmacologia medica edgar samaniego rojas* - Oct 04 2023

web fundamentos de farmacologia medica author edgar samaniego rojas contributor edgar samaniego edition 4 publisher editorial de la universidad central 1992

**edgar samaniego rojas open library** - Aug 02 2023

web jun 24 2020 edgar samaniego capitulo 18 189 195 transmisión dopaminérgica síntesis almacenamiento liberación e inactivación de dopamina receptores efectos

**fundamentos de farmacología médica biblioteca digital uce** - May 31 2023

web samaniego edgar material type text language spanish publication details ecuador cce bejamín carrión 2012 edition séptima description 717 páginas ilustraciones

[fundamentos de farmacología médica edgar samaniego](#) - Feb 25 2023

web encuentra todo el material de estudio para fundamentos de farmacología médica por edgar samaniego edgar samaniego rojas

[edgar samaniego farmacologia medica data northitalia com](#) - Jun 19 2022

web edgar samaniego farmacologia medica edgar samaniego farmacologia medica 4 downloaded from yearbook ladieseuropeantour com on 2023 09 17 by guest diseases

**edgar samaniego farmacologia medica 2010** - Sep 22 2022

web autor edgar samaniego rojas materia novelística italiana número de páginas 616 isbn 978 9978 62 367 1 el impreso fundamentos de farmacología tomo i ha sido

*edgar samaniego farmacologia medica* - Jul 21 2022

web 2 edgar samaniego farmacologia medica 2023 09 01 these chapters the book is a valuable resource for scientists who work in the pharmaceutical industry regulatory

**fundamentos de farmacología médica edgar samaniego** - Apr 29 2023

web edgar samaniego farmacologia medica 2010 author rainer sauerland from orientation sutd edu sg subject edgar samaniego farmacologia medica 2010

**edgar samaniego farmacologia medica uniport edu ng** - Nov 12 2021

**pearson biology workbook answers ch 32 download only** - Oct 23 2022

web cliffsnotes ap biology 2021 exam gives you exactly what you need to score a 5 on the exam concise chapter reviews on every ap biology subject in depth laboratory

pearson biology workbook answers ch 32 pdf betalantida - Sep 21 2022

web pearson biology workbook answers ch 32 pdf right here we have countless books pearson biology workbook answers ch 32 pdf and collections to check out we

pearson biology workbook answers ch 32 copy - May 18 2022

web pearson biology workbook answers ch 32 3 3 straightforward answer to your of a children s book that seems like one of the only moments on the album influenced by

**pearson biology workbook answers ch 32 full pdf** - Jun 30 2023

web pearson biology workbook answers ch 32 downloaded from solutions milnerbrowne com by guest moreno levy ecology evolution and

**pearsoneducationbiologyworkbookanswersch32 pdf** - Aug 21 2022

web pearsoneducationbiologyworkbookanswersch32 1 pearsoneducationbiologyworkbook answersch32

pearsoneducationbiologyworkbookanswersch32 downloaded from

**quora** - Nov 23 2022

web we would like to show you a description here but the site won t allow us

**pearson biology workbook answers ch 32** - Nov 11 2021

web pearson biology workbook answers ch 32 right here we have countless ebook pearson biology workbook answers ch 32 and collections to check out we

pearson education biology workbook answers ch 32 full pdf - May 30 2023

web 2 pearson education biology workbook answers ch 32 2021 12 30 biological processes this workbook s hands on activities emphasize key ideas principles and

**pearsoneducationbiologyworkbookanswersch32 copy** - Jun 18 2022

web pearson biology queensland 11 skills and assessment book edexcel international gcse 9 1 biology student book edexcel

international gcse 9 1 prentice hall miller

*biology study workbook a 1st edition solutions and answers* - Oct 03 2023

web our resource for biology study workbook a includes answers to chapter exercises as well as detailed information to walk you through the process step by step with expert

pearson education biology workbook answers ch 32 download - Feb 24 2023

web pearson education biology workbook answers pearson education biology workbook answerswhile we talk related with miller and levine biology worksheet answers we

**pearson education biology workbook answers ch 32 copy** - Mar 16 2022

web pearson education biology workbook answers ch 32 right here we have countless books pearson education biology workbook answers ch 32 and collections to check

**pearson biology workbook answers ch 32 pdf getasteria** - Mar 28 2023

web pearson biology workbook answers ch 32 student worksheets for visual anatomy and physiology biology insights of theory wb pearson neet foundation series class 9

**pearson biology textbook solutions answers quizlet** - Sep 02 2023

web 2 590 solutions biology study workbook a 1st edition isbn 9780133687187 kenneth r miller levine 2 875 solutions

pearson biology workbook answers ch 32 book forms indiraedu - Jul 20 2022

web pearson biology workbook answers ch 32 embracing the track of appearance an psychological symphony within pearson biology workbook answers ch 32 in a world

**biology pearson miller levine ch 32 answers copy** - Dec 13 2021

web 4 biology pearson miller levine ch 32 answers 2022 11 25 organs in seed plants are roots stems and leaves plants consist of three tissue systems dermal biology

pearson biology workbook answers ch 32 copy uniport edu - Jan 14 2022

web pearson biology workbook answers ch 32 2 6 downloaded from uniport edu ng on may 28 2023 by guest animations get ready for this chapter figure walkthroughs

*pearson education biology workbook answers ch 32 pdf* - Dec 25 2022

web answers to the exam style questions in the coursebook are provided on the cd rom practicing biology pearson education india the write in skills and assessment activity

*biology study workbook b 1st edition solutions and answers* - Aug 01 2023

web now with expert verified solutions from biology study workbook b 1st edition you ll learn how to solve your toughest homework problems our resource for biology study

[pearson education biology workbook answers ch 32](#) - Feb 12 2022

web apr 10 2023 currently this pearson education biology workbook answers ch 32 as one of the most enthusiastic sellers here will no question be in the course of the best

[paperback jan 1 1800 amazon ca low prices](#) - Apr 16 2022

web pearson education 4 4 out of 5 stars 40 paperback 13 offers from 32 66 sex and the teenager participant book i was very disappointed that the workbook does not

[biology pearson miller levine ch 32 answers ams istanbul edu](#) - Apr 28 2023

web biology pearson miller levine ch 32 answers 3 3 1 the science of biology chapter 2 the chemistry of life unit 2 ecology chapter 3 the biosphere chapter slader s

[pearson education biology workbook answers ch 32 pdf](#) - Jan 26 2023

web pearson education biology workbook answers ch 32 pdf is available in our book collection an online access to it is set as public so you can download it instantly