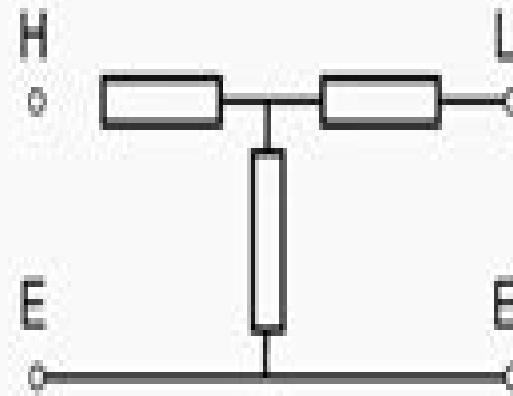
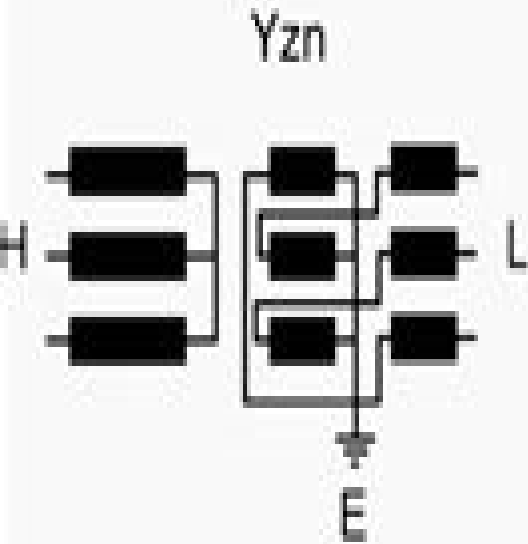


Connection group

Zero-sequence circuit

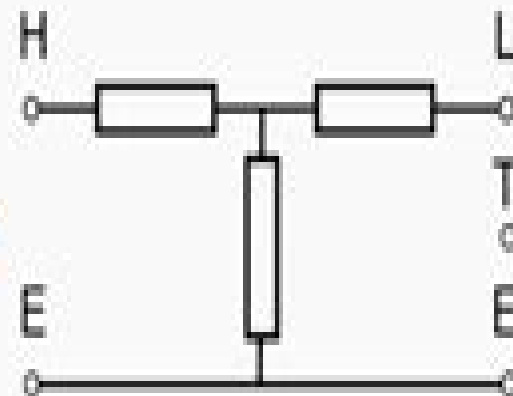
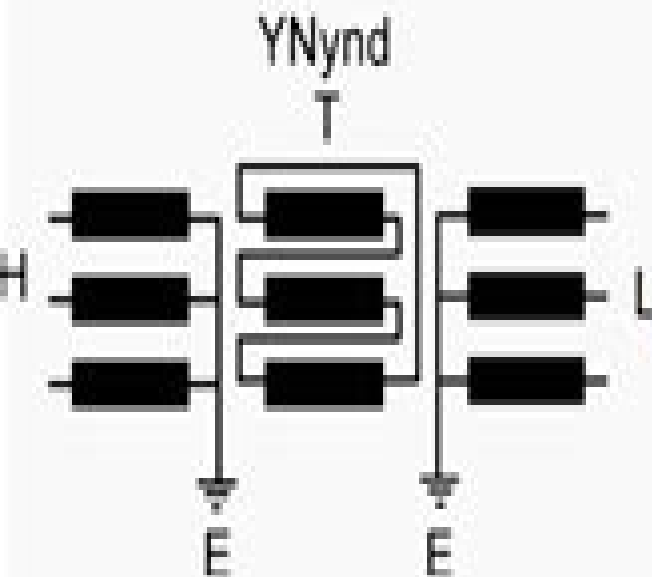
Zero-sequence values



$$Z_{0HL} = \infty$$

$$Z_{0HE} = \infty$$

$$Z_{0LE} = 0.1z$$



$$Z_{0HL} = 0.85z$$

$$Z_{0HE} = 0.75z$$

$$Z_{0LE} = 0.90z$$

Calculating Zero Sequence Impedance For Power Transformers

**Thirumalaisamy P.
Velavancorresponding**



Calculating Zero Sequence Impedance For Power Transformers:

Calculating Zero Sequence Impedance For Power Transformers Book Review: Unveiling the Magic of Language

In an electronic era where connections and knowledge reign supreme, the enchanting power of language has been apparent than ever. Its power to stir emotions, provoke thought, and instigate transformation is actually remarkable. This extraordinary book, aptly titled "**Calculating Zero Sequence Impedance For Power Transformers**," compiled by a highly acclaimed author, immerses readers in a captivating exploration of the significance of language and its profound effect on our existence. Throughout this critique, we will delve into the book's central themes, evaluate its unique writing style, and assess its overall influence on its readership.

<https://py.bijouxmedusa.com/data/publication/default.aspx/Chevy%20S10%20Repair%20.pdf>

Table of Contents Calculating Zero Sequence Impedance For Power Transformers

1. Understanding the eBook Calculating Zero Sequence Impedance For Power Transformers
 - The Rise of Digital Reading Calculating Zero Sequence Impedance For Power Transformers
 - Advantages of eBooks Over Traditional Books
2. Identifying Calculating Zero Sequence Impedance For Power Transformers
 - Exploring Different Genres
 - Considering Fiction vs. Non-Fiction
 - Determining Your Reading Goals
3. Choosing the Right eBook Platform
 - Popular eBook Platforms
 - Features to Look for in an eBook Platform
 - User-Friendly Interface
4. Exploring eBook Recommendations from Calculating Zero Sequence Impedance For Power Transformers
 - Personalized Recommendations
 - Calculating Zero Sequence Impedance For Power Transformers User Reviews and Ratings
 - Calculating Zero Sequence Impedance For Power Transformers and Bestseller Lists

5. Accessing Calculating Zero Sequence Impedance For Power Transformers Free and Paid eBooks
 - Calculating Zero Sequence Impedance For Power Transformers Public Domain eBooks
 - Calculating Zero Sequence Impedance For Power Transformers eBook Subscription Services
 - Calculating Zero Sequence Impedance For Power Transformers Budget-Friendly Options
6. Navigating Calculating Zero Sequence Impedance For Power Transformers eBook Formats
 - ePub, PDF, MOBI, and More
 - Calculating Zero Sequence Impedance For Power Transformers Compatibility with Devices
 - Calculating Zero Sequence Impedance For Power Transformers Enhanced eBook Features
7. Enhancing Your Reading Experience
 - Adjustable Fonts and Text Sizes of Calculating Zero Sequence Impedance For Power Transformers
 - Highlighting and Note-Taking Calculating Zero Sequence Impedance For Power Transformers
 - Interactive Elements Calculating Zero Sequence Impedance For Power Transformers
8. Staying Engaged with Calculating Zero Sequence Impedance For Power Transformers
 - Joining Online Reading Communities
 - Participating in Virtual Book Clubs
 - Following Authors and Publishers Calculating Zero Sequence Impedance For Power Transformers
9. Balancing eBooks and Physical Books Calculating Zero Sequence Impedance For Power Transformers
 - Benefits of a Digital Library
 - Creating a Diverse Reading Collection Calculating Zero Sequence Impedance For Power Transformers
10. Overcoming Reading Challenges
 - Dealing with Digital Eye Strain
 - Minimizing Distractions
 - Managing Screen Time
11. Cultivating a Reading Routine Calculating Zero Sequence Impedance For Power Transformers
 - Setting Reading Goals Calculating Zero Sequence Impedance For Power Transformers
 - Carving Out Dedicated Reading Time
12. Sourcing Reliable Information of Calculating Zero Sequence Impedance For Power Transformers
 - Fact-Checking eBook Content of Calculating Zero Sequence Impedance For Power Transformers
 - Distinguishing Credible Sources
13. Promoting Lifelong Learning

- Utilizing eBooks for Skill Development
 - Exploring Educational eBooks
14. Embracing eBook Trends
- Integration of Multimedia Elements
 - Interactive and Gamified eBooks

Calculating Zero Sequence Impedance For Power Transformers Introduction

In today's digital age, the availability of Calculating Zero Sequence Impedance For Power Transformers books and manuals for download has revolutionized the way we access information. Gone are the days of physically flipping through pages and carrying heavy textbooks or manuals. With just a few clicks, we can now access a wealth of knowledge from the comfort of our own homes or on the go. This article will explore the advantages of Calculating Zero Sequence Impedance For Power Transformers books and manuals for download, along with some popular platforms that offer these resources. One of the significant advantages of Calculating Zero Sequence Impedance For Power Transformers books and manuals for download is the cost-saving aspect. Traditional books and manuals can be costly, especially if you need to purchase several of them for educational or professional purposes. By accessing Calculating Zero Sequence Impedance For Power Transformers versions, you eliminate the need to spend money on physical copies. This not only saves you money but also reduces the environmental impact associated with book production and transportation. Furthermore, Calculating Zero Sequence Impedance For Power Transformers books and manuals for download are incredibly convenient. With just a computer or smartphone and an internet connection, you can access a vast library of resources on any subject imaginable. Whether you're a student looking for textbooks, a professional seeking industry-specific manuals, or someone interested in self-improvement, these digital resources provide an efficient and accessible means of acquiring knowledge. Moreover, PDF books and manuals offer a range of benefits compared to other digital formats. PDF files are designed to retain their formatting regardless of the device used to open them. This ensures that the content appears exactly as intended by the author, with no loss of formatting or missing graphics. Additionally, PDF files can be easily annotated, bookmarked, and searched for specific terms, making them highly practical for studying or referencing. When it comes to accessing Calculating Zero Sequence Impedance For Power Transformers books and manuals, several platforms offer an extensive collection of resources. One such platform is Project Gutenberg, a nonprofit organization that provides over 60,000 free eBooks. These books are primarily in the public domain, meaning they can be freely distributed and downloaded. Project Gutenberg offers a wide range of classic literature, making it an excellent resource for literature enthusiasts. Another popular platform for Calculating Zero Sequence Impedance For Power Transformers books and manuals is Open Library. Open Library is an initiative of the Internet Archive, a non-profit

organization dedicated to digitizing cultural artifacts and making them accessible to the public. Open Library hosts millions of books, including both public domain works and contemporary titles. It also allows users to borrow digital copies of certain books for a limited period, similar to a library lending system. Additionally, many universities and educational institutions have their own digital libraries that provide free access to PDF books and manuals. These libraries often offer academic texts, research papers, and technical manuals, making them invaluable resources for students and researchers. Some notable examples include MIT OpenCourseWare, which offers free access to course materials from the Massachusetts Institute of Technology, and the Digital Public Library of America, which provides a vast collection of digitized books and historical documents. In conclusion, Calculating Zero Sequence Impedance For Power Transformers books and manuals for download have transformed the way we access information. They provide a cost-effective and convenient means of acquiring knowledge, offering the ability to access a vast library of resources at our fingertips. With platforms like Project Gutenberg, Open Library, and various digital libraries offered by educational institutions, we have access to an ever-expanding collection of books and manuals. Whether for educational, professional, or personal purposes, these digital resources serve as valuable tools for continuous learning and self-improvement. So why not take advantage of the vast world of Calculating Zero Sequence Impedance For Power Transformers books and manuals for download and embark on your journey of knowledge?

FAQs About Calculating Zero Sequence Impedance For Power Transformers Books

What is a Calculating Zero Sequence Impedance For Power Transformers PDF? A PDF (Portable Document Format) is a file format developed by Adobe that preserves the layout and formatting of a document, regardless of the software, hardware, or operating system used to view or print it. **How do I create a Calculating Zero Sequence Impedance For Power Transformers PDF?** There are several ways to create a PDF: Use software like Adobe Acrobat, Microsoft Word, or Google Docs, which often have built-in PDF creation tools. Print to PDF: Many applications and operating systems have a "Print to PDF" option that allows you to save a document as a PDF file instead of printing it on paper. Online converters: There are various online tools that can convert different file types to PDF. **How do I edit a Calculating Zero Sequence Impedance For Power Transformers PDF?** Editing a PDF can be done with software like Adobe Acrobat, which allows direct editing of text, images, and other elements within the PDF. Some free tools, like PDFescape or Smallpdf, also offer basic editing capabilities. **How do I convert a Calculating Zero Sequence Impedance For Power Transformers PDF to another file format?** There are multiple ways to convert a PDF to another format: Use online converters like Smallpdf, Zamzar, or Adobe Acrobat's export feature to convert PDFs to formats like Word, Excel, JPEG, etc. Software like Adobe Acrobat, Microsoft Word, or other PDF editors may have options to export or save PDFs in different formats. **How do I**

password-protect a Calculating Zero Sequence Impedance For Power Transformers PDF? Most PDF editing software allows you to add password protection. In Adobe Acrobat, for instance, you can go to "File" -> "Properties" -> "Security" to set a password to restrict access or editing capabilities. Are there any free alternatives to Adobe Acrobat for working with PDFs? Yes, there are many free alternatives for working with PDFs, such as: LibreOffice: Offers PDF editing features. PDFsam: Allows splitting, merging, and editing PDFs. Foxit Reader: Provides basic PDF viewing and editing capabilities. How do I compress a PDF file? You can use online tools like Smallpdf, ILovePDF, or desktop software like Adobe Acrobat to compress PDF files without significant quality loss. Compression reduces the file size, making it easier to share and download. Can I fill out forms in a PDF file? Yes, most PDF viewers/editors like Adobe Acrobat, Preview (on Mac), or various online tools allow you to fill out forms in PDF files by selecting text fields and entering information. Are there any restrictions when working with PDFs? Some PDFs might have restrictions set by their creator, such as password protection, editing restrictions, or print restrictions. Breaking these restrictions might require specific software or tools, which may or may not be legal depending on the circumstances and local laws.

Find Calculating Zero Sequence Impedance For Power Transformers :

chevy s10 repair

stock valuation and analysis spreadsheet

~~fundamentals of corporate finance canadian edition with~~

fundamentals of english grammar black student book b without answer key third edition

download grade 12 mathematical literacy lesson plans

~~fundamentals of organizational behaviour 5th canadian edition~~

freemasons na illuminant diraelimuspot

fundamentals of aircraft and airship design

franchise operations manual template

general chemistry 10th edition ebbing and gammon

fundamentals of compilers an introduction to computer language translation

game maker language an in depth

pdf download one night promised

fundamentals of database systems 6th edition solution

~~fundamentals of analytical chemistry skoog pdf~~

Calculating Zero Sequence Impedance For Power Transformers :

hooligan a novel harvard book store - Feb 26 2022

web add a gift card to your order choose your denomination

hooligan a novel by philipp winkler hardcover - Apr 11 2023

web apr 3 2018 overview featured on the deutsche welle 100 german must reads winner of the aspekte literature prize for best debut novel and finalist for the german book

hooligan a novel by philipp winkler bradley schmidt alibris - Mar 30 2022

web buy hooligan a novel by philipp winkler bradley schmidt translator online at alibris we have new and used copies available in 1 editions starting at 3 46 shop now

hooligan a book by philipp winkler and bradley schmidt bookshop - Dec 07 2022

web hooligan philipp winkler author bradley schmidt translator format hardcover 25 99 24 17 mp3 cd 24 99 23 24 compact disc 34 99 32 54 backorder add to wishlist

hooligan fiction springerlink - Oct 25 2021

web jun 13 2018 for that matter this chapter presents readings of two novels from john king s hooligan trilogy footnote 1 the football factory and england away of kevin

hooligan a novel winkler philipp 9781543680164 abebooks - Oct 05 2022

web abebooks com hooligan a novel 9781543680164 by winkler philipp and a great selection of similar new used and collectible books available now at great prices

books about hooligans novel recommendations for any mood - Dec 27 2021

web the top books to read related to hooligans are the football factory the crew hooligan a novel hooligans and congratulations you have just met the i c f

hooligan a novel philippa winkler amazon com tr kitap - Jun 13 2023

web arama yapmak istediğiniz kategoriye seçin

hooligan a novel ebook 2018 worldcat org - May 12 2023

web get this from a library hooligan a novel philipp winkler bradley schmidt we ve all got two families the one we re born with and the one we choose ourselves heiko hasn t

hooligan a novel hardcover 3 april 2018 amazon com au - Jul 02 2022

web select the department you want to search in

[hooligan a novel by philipp winkler overdrive](#) - Feb 09 2023

web apr 3 2018 philipp winkler s stunning widely acclaimed novel won the prize for best debut and was a finalist for the

most prestigious german book award it offers an intimate

[hooligan a novel kindle edition amazon com au](#) - Apr 30 2022

web hooligan a novel ebook winkler philipp schmidt bradley amazon com au kindle store

hooligan a novel amazon com - Mar 10 2023

web finalist for the german book award we ve all got two families the one we re born with and the one we choose ourselves

heiko hasn t finished high school his father is an

novel hooligan youtube - Sep 23 2021

web share your videos with friends family and the world

hooligan a novel 9781628728675 abebooks - Aug 03 2022

web hooligan a novel isbn 10 1628728671 isbn 13 9781628728675 arcade publishing 2018 hardcover

hooligan a novel philipp winkler google books - Jul 14 2023

web philipp winkler s stunning widely acclaimed novel won the prize for best debut and was a finalist for the most

prestigious german book award it offers an intimate devastating

hooligan a novel winkler philipp schmidt bradley - Nov 06 2022

web hooligan is a really good book taz with hooligan philipp winkler has shot a flare right in the middle of the other side s

block of fans ultimately it is mostly a story about

[hooligan a novel philipp winkler google books](#) - Jan 08 2023

web philipp winkler s stunning widely acclaimed novel won the prize for best debut and was a finalist for the most

prestigious german book award it offers an intimate devastating

hooligan arcade publishing - Sep 04 2022

web apr 3 2018 hooligan is a stunning hit and this year s debut novel that resonates the most frankfurter neue presse one of the most remarkable and readable novels of

hooligan a novel david dodge google books - Jan 28 2022

web hooligan a novel david dodge google books a new breed of secret agent in a supercharged thriller set in hong kong john lincoln a frustrated man with a nervous

listen free to hooligan a novel by philipp winkler with a free trial - Jun 01 2022

web apr 3 2018 philipp winkler s stunning widely acclaimed novel won the prize for best debut and was a finalist for the most prestigious german book award it offers an intimate

books about hooliganism novel flavor - Nov 25 2021

web the top books to read related to hooliganism are among the thugs the football factory hooligan wars causes and effects

of football violence hooligan a

hooligan a novel hardcover april 3 2018 amazon com - Aug 15 2023

web apr 3 2018 hooligan is a really good book taz with hooligan philipp winkler has shot a flare right in the middle of the other side s block of fans ultimately it is mostly

de ma c moire de potagers pdf trilhoscacao - Feb 08 2023

web web de ma c moire de potagers 1 de ma c moire de potagers right here we have countless books de ma c moire de potagers and collections to check out we

de ma c moire de potagers alexis de comberousse - May 31 2022

web you may not be perplexed to enjoy all book collections de ma c moire de potagers that we will extremely offer it is not on the costs its not quite what you infatuation currently this

de ma c moire de potagers pdf book - Sep 22 2021

web de ma c moire de potagers pdf this is likewise one of the factors by obtaining the soft documents of this de ma c moire de potagers pdf by online you might not require

de ma c moire de potagers pdf download only - Jan 07 2023

web de ma c moire de potagers pdf introduction de ma c moire de potagers pdf download only title de ma c moire de potagers pdf download only

de ma c moire de potagers pdf uniport edu - Sep 03 2022

web this de ma c moire de potagers as one of the most in action sellers here will unconditionally be accompanied by the best options to review the english fable teller

de ma c moire de potagers daphne clair book - Aug 02 2022

web de ma c moire de potagers is available in our digital library an online access to it is set as public so you can get it instantly our digital library hosts in multiple locations allowing

de ma c moire de potagers 2023 cornelisfr vanlanschot - Aug 14 2023

web pages of de ma c moire de potagers a charming fictional prize brimming with fresh thoughts lies an immersive symphony waiting to be embraced constructed by a

de ma c moire de potagers full pdf - May 11 2023

web enter the realm of de ma c moire de potagers a mesmerizing literary masterpiece penned with a distinguished author guiding readers on a profound journey to unravel the

de ma c moire de potagers pdf full pdf devy ortax - Apr 10 2023

web de ma c moire de potagers pdf pages 2 24 de ma c moire de potagers pdf upload herison d hayda 2 24 downloaded from

devy ortax org on august 31 2023 by herison d

de ma c moire de potagers pdf opendoors cityandguilds - Oct 04 2022

web 4 de ma c moire de potagers 2023 01 23 of the chemistry synthesis spectroscopy and structure of phthalocyanin es this book examines the biology and medical implications

le potager du marais saint paul paris restaurant happycow - Jan 27 2022

web may 11 2023 j avais hâte de tester cet endroit qui est un incontournable car c est le premier restaurant vegan parisien je m attendais à une cuisine française gourmande

de ma c moire de potagers staging friends library - Apr 29 2022

web nov 27 2022 de ces jours étranges comme de ces autres moments forts de la mémoire ressuscitée hector bianciotti donne un récit que berce l émotion on croise au fil des

de mémoire de potagers by serge schall ab italy it - Jun 12 2023

web de mémoire de potagers by serge schall de mémoire de potagers by serge schall charente le potager d ct des fruits et lgumes full text of instruction pour les jardins

le potager du marais home paris france facebook - Feb 25 2022

web see more of le potager du marais on facebook log in forgot account or create new account not now le potager du marais vegetarian vegan restaurant in paris france

le potager du marais paris le marais tripadvisor - Dec 26 2021

web le potager du marais page attribuée avis enregistrer partager 839 avis n° 1 236 sur 14 411 restaurants à paris française européenne végétariens bienvenus 26 rue

de ma c moire de potagers copy wrbb neu - Jul 01 2022

web we give de ma c moire de potagers and numerous ebook collections from fictions to scientific research in any way accompanied by them is this de ma c moire de

de ma c moire de potagers 2022 brannacholann - Jul 13 2023

web de ma c moire de potagers downloaded from brannacholann com by guest janiah davies the works of john moore m d university of delaware press the porphyrin

le potager du marais paris le marais tripadvisor - Oct 24 2021

web jul 22 2020 le potager du marais claimed review save share 840 reviews 1 232 of 14 427 restaurants in paris french european vegetarian friendly 26 rue saint

de ma c moire de potagers pdf eshraqqgroup - Mar 09 2023

web web de ma c moire de potagers right here we have countless ebook de ma c moire de potagers and collections to check

out we additionally allow variant types and in addition

le potager du marais paris le marais tripadvisor - Nov 24 2021

web standort und kontakt 26 rue saint paul 75003 paris frankreich le marais 0 1 km von centre pompidou website e mail 33 1 57 40 98 57 diesen eintrag verbessern

de mémoire de potagers by serge schall media joomlashine com - Mar 29 2022

web beleaf ma petite jardinerie saison 5 chez flore et florette le suivi de vos potagers le maquis de vareuilles les 14 et 15 octobre festival sommaire alger de ma jeunesse

de mémoire de potagers by serge schall - Nov 05 2022

web to get those all you could buy manual de mémoire de potagers by serge schall or get it as soon as possible merely said the de mémoire de potagers by serge schall is

de ma c moire de potagers pdf uniport edu - Dec 06 2022

web may 31 2023 hewitt sous le charme du milliardaire de miranda lee une parenthèse enchantée de julie james guidée par la passion de trish morey le plus parfait des

the really quite good british cookbook the food we love - Apr 30 2022

web browse and save recipes from the really quite good british cookbook the food we love from 100 of our best chefs cooks bakers and local heroes to your own online

the really quite good british cook book unknown binding - Oct 25 2021

web the really quite good british cook book on amazon com free shipping on qualifying offers the really quite good british cook book

the really quite good british cookbook booktopia - Jul 02 2022

web mar 16 2017 booktopia has the really quite good british cookbook the food we love from 100 of our best chefs cooks bakers and local heroes by william sitwell

the really quite good british cookbook william sitwell editor - Jan 28 2022

web mar 21 2017 netgalley helps publishers and authors promote digital review copies to book advocates and industry professionals publishers make digital review copies and

the really quite good british cookbook the food we - Jul 14 2023

web buy the really quite good british cookbook the food we love from 100 of our best chefs cooks bakers and local heroes illustrated by william sitwell william sitwell

the really quite good british cookbook review recipesnow - Feb 26 2022

web rggbc is stuffed full with luscious recipes from 100 of the best chefs and food personalities in britain many adapted from

the chefs own cookbooks the origins of the dishes

the really quite good british cookbook penguin random house - Apr 11 2023

web compiled by award winning food editor and author william sitwell the really quite good british cookbook is keenly anticipated and a stunning object in its own right ultimately

the really quite good british cookbook the food we love - Oct 05 2022

web what do you cook for the people you love we asked 100 of britain s best chefs cooks bakers and local food heroes for their answer to this question through recipes and

the really quite good british cookbook amazon ae - Nov 06 2022

web compiled by award winning food editor and author william sitwell the really quite good british cookbook is keenly anticipated and a stunning object in its own right ultimately

the really quite good british cookbook the food we love - Sep 04 2022

web abebooks com the really quite good british cookbook the food we love from 100 of our best chefs cooks bakers and local heroes 9781848993280 and a great

the really quite good british cookbook penguin random - Jan 08 2023

web mar 21 2017 from the author of a history of food in 100 recipes comes a culinary feast highlighting the dazzling diversity of contemporary british cuisine got it now available

the really quite good british cookbook ana sayfa facebook - Sep 23 2021

web the really quite good british cookbook 289 beğenme the really quite good british cookbook what do you cook for the people you love 100 of britain s

really quite good british cookbook abebooks - Mar 10 2023

web the really quite good british cookbook the food we love from 100 of our best chefs cooks bakers and local heroes by william sitwell at abebooks co uk isbn 10

the really quite good british cookbook the food we - Dec 07 2022

web mar 21 2017 the really quite good british cookbook the food we love from 100 of our best chefs cooks bakers and local heroes sitwell william 9781848993280

the really quite good british cookbook the food we love - Jun 01 2022

web nettles on toast with pollack wild garlic poached egg gill meller page 24 from the really quite good british cookbook the food we love from 100 of our best chefs

loading interface goodreads - Mar 30 2022

web discover and share books you love on goodreads

[the really quite good british cookbook edited by william sitwell](#) - Aug 03 2022

web compiled by award winning food editor and author william sitwell the really quite good british cookbook is keenly anticipated and a stunning object in its own right ultimately

[the really quite good british cookbook home facebook](#) - Dec 27 2021

web jun 18 2017 the really quite good british cookbook 290 likes the really quite good british cookbook what do you cook for the people you love 100 of britain s

the really quite good british cookbook the food we love - May 12 2023

web mar 21 2017 compiled by award winning food editor and author william sitwell the really quite good british cookbook is keenly anticipated and a stunning object in its

[the really quite good british cookbook the food we love](#) - Jun 13 2023

web mar 21 2017 compiled by award winning food editor and author william sitwell the really quite good british cookbook is keenly anticipated and a stunning object in its

the really quite good british cookbook the food we - Aug 15 2023

web mar 21 2017 the really quite good british cookbook the food we love from 100 of our best chefs cooks bakers and local heroes by william sitwell editor is a

the really quite good british cookbook trailer youtube - Nov 25 2021

web what do you cook for the people you love asked this question 100 of britain s food heroes have shared their most beloved recipes to make this extraordinary

the really quite good british cookbook by william sitwell - Feb 09 2023

web mar 9 2017 compiled by award winning food editor and author william sitwell the really quite good british cookbook is keenly anticipated and a stunning object in its own