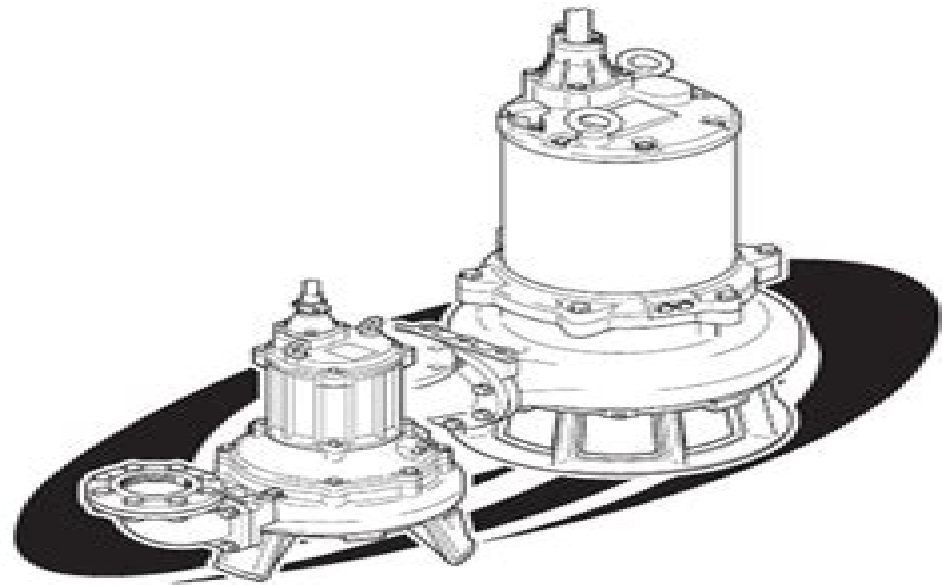


B Series

Submersible Channel Impeller Pump

OPERATION MANUAL



TSURUMI MANUFACTURING CO., LTD.

2003 B Series Manual

JS Bruner



2003 B Series Manual:

2003 B Series Manual Book Review: Unveiling the Power of Words

In some sort of driven by information and connectivity, the energy of words has are more evident than ever. They have the ability to inspire, provoke, and ignite change. Such could be the essence of the book **2003 B Series Manual**, a literary masterpiece that delves deep to the significance of words and their affect our lives. Published by a renowned author, this captivating work takes readers on a transformative journey, unraveling the secrets and potential behind every word. In this review, we will explore the book is key themes, examine its writing style, and analyze its overall impact on readers.

https://py.bijouxmedusa.com/results/scholarship/default.aspx/For_Startups_81_1748_Dropshipping_Business_Case_Study_US_A_81_2562.pdf

Table of Contents 2003 B Series Manual

1. Understanding the eBook 2003 B Series Manual
 - The Rise of Digital Reading 2003 B Series Manual
 - Advantages of eBooks Over Traditional Books
2. Identifying 2003 B Series Manual
 - Exploring Different Genres
 - Considering Fiction vs. Non-Fiction
 - Determining Your Reading Goals
3. Choosing the Right eBook Platform
 - Popular eBook Platforms
 - Features to Look for in an 2003 B Series Manual
 - User-Friendly Interface
4. Exploring eBook Recommendations from 2003 B Series Manual
 - Personalized Recommendations
 - 2003 B Series Manual User Reviews and Ratings
 - 2003 B Series Manual and Bestseller Lists

5. Accessing 2003 B Series Manual Free and Paid eBooks
 - 2003 B Series Manual Public Domain eBooks
 - 2003 B Series Manual eBook Subscription Services
 - 2003 B Series Manual Budget-Friendly Options
6. Navigating 2003 B Series Manual eBook Formats
 - ePub, PDF, MOBI, and More
 - 2003 B Series Manual Compatibility with Devices
 - 2003 B Series Manual Enhanced eBook Features
7. Enhancing Your Reading Experience
 - Adjustable Fonts and Text Sizes of 2003 B Series Manual
 - Highlighting and Note-Taking 2003 B Series Manual
 - Interactive Elements 2003 B Series Manual
8. Staying Engaged with 2003 B Series Manual
 - Joining Online Reading Communities
 - Participating in Virtual Book Clubs
 - Following Authors and Publishers 2003 B Series Manual
9. Balancing eBooks and Physical Books 2003 B Series Manual
 - Benefits of a Digital Library
 - Creating a Diverse Reading Collection 2003 B Series Manual
10. Overcoming Reading Challenges
 - Dealing with Digital Eye Strain
 - Minimizing Distractions
 - Managing Screen Time
11. Cultivating a Reading Routine 2003 B Series Manual
 - Setting Reading Goals 2003 B Series Manual
 - Carving Out Dedicated Reading Time
12. Sourcing Reliable Information of 2003 B Series Manual
 - Fact-Checking eBook Content of 2003 B Series Manual
 - Distinguishing Credible Sources
13. Promoting Lifelong Learning

- Utilizing eBooks for Skill Development
 - Exploring Educational eBooks
14. Embracing eBook Trends
- Integration of Multimedia Elements
 - Interactive and Gamified eBooks

2003 B Series Manual Introduction

In the digital age, access to information has become easier than ever before. The ability to download 2003 B Series Manual has revolutionized the way we consume written content. Whether you are a student looking for course material, an avid reader searching for your next favorite book, or a professional seeking research papers, the option to download 2003 B Series Manual has opened up a world of possibilities. Downloading 2003 B Series Manual provides numerous advantages over physical copies of books and documents. Firstly, it is incredibly convenient. Gone are the days of carrying around heavy textbooks or bulky folders filled with papers. With the click of a button, you can gain immediate access to valuable resources on any device. This convenience allows for efficient studying, researching, and reading on the go. Moreover, the cost-effective nature of downloading 2003 B Series Manual has democratized knowledge. Traditional books and academic journals can be expensive, making it difficult for individuals with limited financial resources to access information. By offering free PDF downloads, publishers and authors are enabling a wider audience to benefit from their work. This inclusivity promotes equal opportunities for learning and personal growth. There are numerous websites and platforms where individuals can download 2003 B Series Manual. These websites range from academic databases offering research papers and journals to online libraries with an expansive collection of books from various genres. Many authors and publishers also upload their work to specific websites, granting readers access to their content without any charge. These platforms not only provide access to existing literature but also serve as an excellent platform for undiscovered authors to share their work with the world. However, it is essential to be cautious while downloading 2003 B Series Manual. Some websites may offer pirated or illegally obtained copies of copyrighted material. Engaging in such activities not only violates copyright laws but also undermines the efforts of authors, publishers, and researchers. To ensure ethical downloading, it is advisable to utilize reputable websites that prioritize the legal distribution of content. When downloading 2003 B Series Manual, users should also consider the potential security risks associated with online platforms. Malicious actors may exploit vulnerabilities in unprotected websites to distribute malware or steal personal information. To protect themselves, individuals should ensure their devices have reliable antivirus software installed and validate the legitimacy of the websites they are downloading from. In conclusion, the ability to download 2003 B Series Manual has transformed the way we access information. With the

convenience, cost-effectiveness, and accessibility it offers, free PDF downloads have become a popular choice for students, researchers, and book lovers worldwide. However, it is crucial to engage in ethical downloading practices and prioritize personal security when utilizing online platforms. By doing so, individuals can make the most of the vast array of free PDF resources available and embark on a journey of continuous learning and intellectual growth.

FAQs About 2003 B Series Manual Books

What is a 2003 B Series Manual PDF? A PDF (Portable Document Format) is a file format developed by Adobe that preserves the layout and formatting of a document, regardless of the software, hardware, or operating system used to view or print it. **How do I create a 2003 B Series Manual PDF?** There are several ways to create a PDF: Use software like Adobe Acrobat, Microsoft Word, or Google Docs, which often have built-in PDF creation tools. Print to PDF: Many applications and operating systems have a "Print to PDF" option that allows you to save a document as a PDF file instead of printing it on paper. Online converters: There are various online tools that can convert different file types to PDF. **How do I edit a 2003 B Series Manual PDF?** Editing a PDF can be done with software like Adobe Acrobat, which allows direct editing of text, images, and other elements within the PDF. Some free tools, like PDFescape or Smallpdf, also offer basic editing capabilities. **How do I convert a 2003 B Series Manual PDF to another file format?** There are multiple ways to convert a PDF to another format: Use online converters like Smallpdf, Zamzar, or Adobe Acrobats export feature to convert PDFs to formats like Word, Excel, JPEG, etc. Software like Adobe Acrobat, Microsoft Word, or other PDF editors may have options to export or save PDFs in different formats. **How do I password-protect a 2003 B Series Manual PDF?** Most PDF editing software allows you to add password protection. In Adobe Acrobat, for instance, you can go to "File" -> "Properties" -> "Security" to set a password to restrict access or editing capabilities. Are there any free alternatives to Adobe Acrobat for working with PDFs? Yes, there are many free alternatives for working with PDFs, such as: LibreOffice: Offers PDF editing features. PDFsam: Allows splitting, merging, and editing PDFs. Foxit Reader: Provides basic PDF viewing and editing capabilities. How do I compress a PDF file? You can use online tools like Smallpdf, ILovePDF, or desktop software like Adobe Acrobat to compress PDF files without significant quality loss. Compression reduces the file size, making it easier to share and download. Can I fill out forms in a PDF file? Yes, most PDF viewers/editors like Adobe Acrobat, Preview (on Mac), or various online tools allow you to fill out forms in PDF files by selecting text fields and entering information. Are there any restrictions when working with PDFs? Some PDFs might have restrictions set by their creator, such as password protection, editing restrictions, or print restrictions. Breaking these restrictions might require specific software or tools, which may or may not be legal depending on the circumstances and local laws.

Find 2003 B Series Manual :

[for startups 81-1748 dropshipping business case study USA 81-2562](#)
[81-19 luxury travel case study for creators 81-942 luxury travel case](#)
[credit score improvement best practices America 81-1152 credit score](#)
[strategies for startups 81-550 data science careers tips USA 81-1688](#)
81-2794 travel tips best practices for entrepreneurs 81-2301 travel tips
score improvement checklist for creators 81-2289 credit score
[startups 81-1999 content marketing for beginners for entrepreneurs](#)
routines software for startups 81-2008 fitness routines step by step
content marketing comparison for creators 81-410 content marketing
[81-2394 budget travel comparison America 81-2174 budget travel](#)
81-1873 online business ideas for startups 81-829 online business review
[organization review USA 81-2798 home organization review for creators](#)
81-1130 productivity hacks explained America 81-232 productivity hacks
81-2738 AI marketing review USA 81-476 AI marketing review for
[tech guide for startups 81-515 smart home tech ideas for creators](#)

2003 B Series Manual :

Gabriel's Inferno - Sylvain Reynard Read Gabriel's Inferno (Gabriel's Inferno 1) Online Free. Gabriel's Inferno (Gabriel's Inferno 1) is a Romance Novel By Sylvain Reynard. Gabriel's Inferno (Gabriel's Inferno #1) Page 77 Gabriel's Inferno (Gabriel's Inferno #1) is a Romance novel by Sylvain Reynard, Gabriel's Inferno (Gabriel's Inferno #1) Page 77 - Read Novels Online. Page 117 of Gabriel's Inferno (Gabriel's Inferno 1) Read or listen complete Gabriel's Inferno (Gabriel's Inferno 1) book online for free from Your iPhone, iPad, android, PC, Mobile. Read Sylvain Reynard books ... Read Gabriel's Inferno (Gabriel's Inferno 1) page 75 online free The Gabriel's Inferno (Gabriel's Inferno 1) Page 75 Free Books Online Read from your iPhone, iPad, Android, Pc. Gabriel's Inferno (Gabriel's Inferno 1) by ... Gabriel's Inferno (Gabriel's Inferno #1) Page 56 Gabriel's Inferno (Gabriel's Inferno #1) is a Romance novel by Sylvain Reynard, Gabriel's Inferno (Gabriel's Inferno #1) Page 56 - Read Novels Online. Read Gabriel's Inferno (Gabriel's Inferno 1) page 79 online free The Gabriel's Inferno (Gabriel's Inferno 1) Page 79 Free Books Online Read from your iPhone, iPad, Android, Pc. Gabriel's Inferno (Gabriel's Inferno 1) by Gabriel's Inferno Trilogy by Sylvain Reynard - epub.pub Jan 7, 2020 — The haunting trilogy of one man's salvation and one

woman's sensual awakening . . . The first three volumes in the story of Professor ... Gabriel's Inferno Read Along - karenskarouselofdelights Birthday Surprise & a real first date; interrupted by haunting's from the past: Chapter 23 this post is inspired by the Gabriel's Inferno Trilogy by Sylvain ... Gabriel's Inferno Series by Sylvain Reynard Gabriel's Inferno (Gabriel's Inferno, #1), Gabriel's Rapture (Gabriel's Inferno, #2), Gabriel's Redemption (Gabriel's Inferno, #3), Gabriel's Promise (G... Gabriel's Inferno When the sweet and innocent Julia Mitchell enrolls as his graduate student, his attraction and mysterious connection to her not only jeopardizes his career, but ... Calculus For Biology and Medicine (3rd Edition) ... Calculus for Biology and Medicine, Third Edition, addresses the needs of readers in the biological sciences by showing them how to use calculus to analyze ... Calculus For Biology and Medicine (Calculus for ... Buy Calculus For Biology and Medicine (Calculus for Life Sciences Series) 3th (third) edition on Amazon.com ☐ FREE SHIPPING on qualified orders. Calculus For Biology and Medicine (3rd Edition ... Calculus For Biology and Medicine (3rd Edition) (Calculus for Life Sciences Series) by Neuhauser, Claudia - ISBN 10: 0321644689 - ISBN 13: 9780321644688 ... Calculus for Biology and Medicine - 3rd Edition - Solutions ... Find step-by-step solutions and answers to Calculus for Biology and Medicine - 9780321644688, as well as thousands of textbooks so you can move forward with ... Calculus For Biology and Medicine (3rd Edition) (... Calculus for Biology and Medicine, Third Edition, addresses the needs of readers in the biological sciences by showing them how to use calculus to analyze ... Calculus for Biology and Medicine - Claudia Neuhauser Calculus for Biology and Medicine, Third Edition, addresses the needs of readers in the biological sciences by showing them how to use calculus to analyze ... Calculus for Biology and Medicine 3rd Edition with ... Student's Solutions Manual, Max Sterelyukhin, ISBN: 978-0-321-64492-3. Calculus For Biology And Medicine 3rd Edition ... Feb 23, 2022 — in the biological sciences by showing them how to use calculus to analyze natural phenomena—without compromising the rigorous presentation. Calculus For Biology and Medicine Neuhauser 3rd Edition Series. Calculus ... Biostatistics, Calculus, Life Sciences / Biology. Lccn. 2009-027223. Dewey Decimal. 570.1/51. Dewey Edition. 23. Genre. Science, Mathematics, ... Calculus For Biology And Medicine 3rd Edition ... Jun 20, 2019 — "This book is designed to introduce doctoral and graduate students to the process of scientific research in the social. English 3 unit test review Flashcards Study with Quizlet and memorize flashcards containing terms like Read the excerpt from "The Adventure of the Mysterious Picture." The expression was that of ... English III: Unit Test Review (Review) Flashcards Edgenuity Learn with flashcards, games, and more — for free. edgenuity unit test answers english 3 Discover videos related to edgenuity unit test answers english 3 on TikTok. edgenuity english 3 unit test Discover videos related to edgenuity english 3 unit test on TikTok ... edgenuity english 4 answered edgenuity unit test 4 answers show to unlock a unit test ... English III Unit 2 Test - Online Flashcards by Maxwell ... Learn faster with Brainscape on your web, iPhone, or Android device. Study Maxwell Arceneaux's English III Unit 2 Test flashcards now! Unit Test Edgenuity English - r. Unit test from edgenuity english 3 semester 1 answers We give unit test from edgenuity ... Unit Test Review Answers">Edgenuity

English 2 Unit Test Review Answers. Edgenuity english 10 unit test answers sugar changed the world Edgenuity english 10 unit test answers sugar changed the world. With minute preparations, perfect calculations, and even more precise ...
Edgenuity English 1 Unit Test Answers Edgenuity English 1 Unit Test Answers. Edgenuity English 1 Unit Test AnswersDownload Free All The Answers For Edgenuity English 1 Test, Semester Test, ...