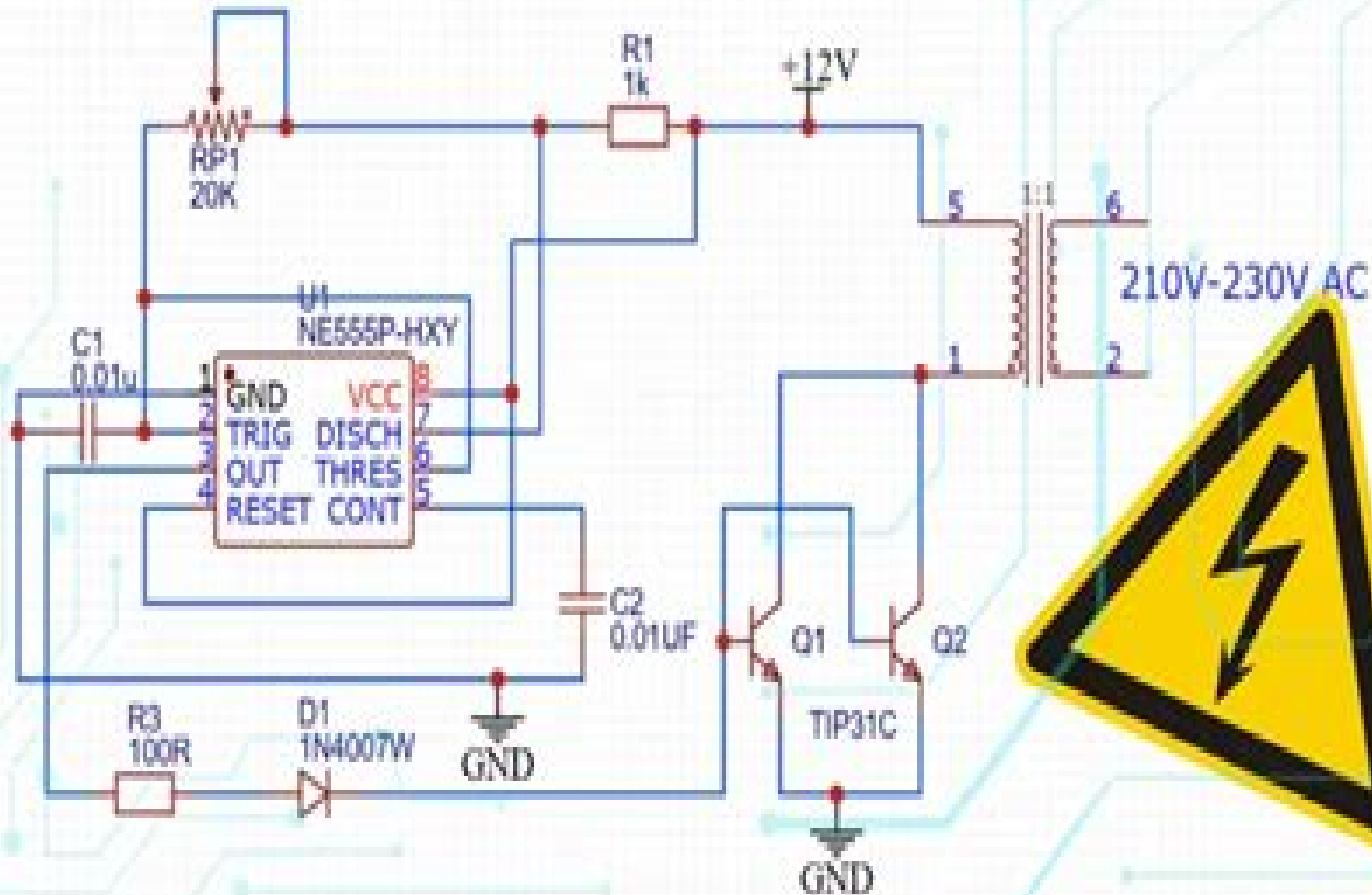


Inverter using 555 Timer IC



230v Simple Inverter Circuit Using 555 Timer My Circuits 9

Tao Wei



230v Simple Inverter Circuit Using 555 Timer My Circuits 9:

Right here, we have countless books **230v Simple Inverter Circuit Using 555 Timer My Circuits 9** and collections to check out. We additionally come up with the money for variant types and as well as type of the books to browse. The all right book, fiction, history, novel, scientific research, as without difficulty as various extra sorts of books are readily genial here.

As this 230v Simple Inverter Circuit Using 555 Timer My Circuits 9, it ends happening beast one of the favored book 230v Simple Inverter Circuit Using 555 Timer My Circuits 9 collections that we have. This is why you remain in the best website to see the amazing books to have.

https://py.bijouxmedusa.com/data/detail/index.jsp/Science_Careers_Review_For_Small_Business_37_2494_Data_Science_Careers.pdf

Table of Contents 230v Simple Inverter Circuit Using 555 Timer My Circuits 9

1. Understanding the eBook 230v Simple Inverter Circuit Using 555 Timer My Circuits 9
 - The Rise of Digital Reading 230v Simple Inverter Circuit Using 555 Timer My Circuits 9
 - Advantages of eBooks Over Traditional Books
2. Identifying 230v Simple Inverter Circuit Using 555 Timer My Circuits 9
 - Exploring Different Genres
 - Considering Fiction vs. Non-Fiction
 - Determining Your Reading Goals
3. Choosing the Right eBook Platform
 - Popular eBook Platforms
 - Features to Look for in an 230v Simple Inverter Circuit Using 555 Timer My Circuits 9
 - User-Friendly Interface
4. Exploring eBook Recommendations from 230v Simple Inverter Circuit Using 555 Timer My Circuits 9
 - Personalized Recommendations
 - 230v Simple Inverter Circuit Using 555 Timer My Circuits 9 User Reviews and Ratings
 - 230v Simple Inverter Circuit Using 555 Timer My Circuits 9 and Bestseller Lists

5. Accessing 230v Simple Inverter Circuit Using 555 Timer My Circuits 9 Free and Paid eBooks
 - 230v Simple Inverter Circuit Using 555 Timer My Circuits 9 Public Domain eBooks
 - 230v Simple Inverter Circuit Using 555 Timer My Circuits 9 eBook Subscription Services
 - 230v Simple Inverter Circuit Using 555 Timer My Circuits 9 Budget-Friendly Options
6. Navigating 230v Simple Inverter Circuit Using 555 Timer My Circuits 9 eBook Formats
 - ePub, PDF, MOBI, and More
 - 230v Simple Inverter Circuit Using 555 Timer My Circuits 9 Compatibility with Devices
 - 230v Simple Inverter Circuit Using 555 Timer My Circuits 9 Enhanced eBook Features
7. Enhancing Your Reading Experience
 - Adjustable Fonts and Text Sizes of 230v Simple Inverter Circuit Using 555 Timer My Circuits 9
 - Highlighting and Note-Taking 230v Simple Inverter Circuit Using 555 Timer My Circuits 9
 - Interactive Elements 230v Simple Inverter Circuit Using 555 Timer My Circuits 9
8. Staying Engaged with 230v Simple Inverter Circuit Using 555 Timer My Circuits 9
 - Joining Online Reading Communities
 - Participating in Virtual Book Clubs
 - Following Authors and Publishers 230v Simple Inverter Circuit Using 555 Timer My Circuits 9
9. Balancing eBooks and Physical Books 230v Simple Inverter Circuit Using 555 Timer My Circuits 9
 - Benefits of a Digital Library
 - Creating a Diverse Reading Collection 230v Simple Inverter Circuit Using 555 Timer My Circuits 9
10. Overcoming Reading Challenges
 - Dealing with Digital Eye Strain
 - Minimizing Distractions
 - Managing Screen Time
11. Cultivating a Reading Routine 230v Simple Inverter Circuit Using 555 Timer My Circuits 9
 - Setting Reading Goals 230v Simple Inverter Circuit Using 555 Timer My Circuits 9
 - Carving Out Dedicated Reading Time
12. Sourcing Reliable Information of 230v Simple Inverter Circuit Using 555 Timer My Circuits 9
 - Fact-Checking eBook Content of 230v Simple Inverter Circuit Using 555 Timer My Circuits 9
 - Distinguishing Credible Sources
13. Promoting Lifelong Learning

-
- Utilizing eBooks for Skill Development
 - Exploring Educational eBooks
14. Embracing eBook Trends
- Integration of Multimedia Elements
 - Interactive and Gamified eBooks

230v Simple Inverter Circuit Using 555 Timer My Circuits 9 Introduction

230v Simple Inverter Circuit Using 555 Timer My Circuits 9 Offers over 60,000 free eBooks, including many classics that are in the public domain. Open Library: Provides access to over 1 million free eBooks, including classic literature and contemporary works. 230v Simple Inverter Circuit Using 555 Timer My Circuits 9 Offers a vast collection of books, some of which are available for free as PDF downloads, particularly older books in the public domain. 230v Simple Inverter Circuit Using 555 Timer My Circuits 9 : This website hosts a vast collection of scientific articles, books, and textbooks. While it operates in a legal gray area due to copyright issues, its a popular resource for finding various publications. Internet Archive for 230v Simple Inverter Circuit Using 555 Timer My Circuits 9 : Has an extensive collection of digital content, including books, articles, videos, and more. It has a massive library of free downloadable books. Free-eBooks 230v Simple Inverter Circuit Using 555 Timer My Circuits 9 Offers a diverse range of free eBooks across various genres. 230v Simple Inverter Circuit Using 555 Timer My Circuits 9 Focuses mainly on educational books, textbooks, and business books. It offers free PDF downloads for educational purposes. 230v Simple Inverter Circuit Using 555 Timer My Circuits 9 Provides a large selection of free eBooks in different genres, which are available for download in various formats, including PDF. Finding specific 230v Simple Inverter Circuit Using 555 Timer My Circuits 9, especially related to 230v Simple Inverter Circuit Using 555 Timer My Circuits 9, might be challenging as theyre often artistic creations rather than practical blueprints. However, you can explore the following steps to search for or create your own Online Searches: Look for websites, forums, or blogs dedicated to 230v Simple Inverter Circuit Using 555 Timer My Circuits 9, Sometimes enthusiasts share their designs or concepts in PDF format. Books and Magazines Some 230v Simple Inverter Circuit Using 555 Timer My Circuits 9 books or magazines might include. Look for these in online stores or libraries. Remember that while 230v Simple Inverter Circuit Using 555 Timer My Circuits 9, sharing copyrighted material without permission is not legal. Always ensure youre either creating your own or obtaining them from legitimate sources that allow sharing and downloading. Library Check if your local library offers eBook lending services. Many libraries have digital catalogs where you can borrow 230v Simple Inverter Circuit Using 555 Timer My Circuits 9 eBooks for free, including popular titles. Online Retailers: Websites like Amazon, Google Books, or Apple Books often sell eBooks. Sometimes, authors or publishers offer promotions or free periods for certain

books. Authors Website Occasionally, authors provide excerpts or short stories for free on their websites. While this might not be the 230v Simple Inverter Circuit Using 555 Timer My Circuits 9 full book, it can give you a taste of the authors writing style. Subscription Services Platforms like Kindle Unlimited or Scribd offer subscription-based access to a wide range of 230v Simple Inverter Circuit Using 555 Timer My Circuits 9 eBooks, including some popular titles.

FAQs About 230v Simple Inverter Circuit Using 555 Timer My Circuits 9 Books

What is a 230v Simple Inverter Circuit Using 555 Timer My Circuits 9 PDF? A PDF (Portable Document Format) is a file format developed by Adobe that preserves the layout and formatting of a document, regardless of the software, hardware, or operating system used to view or print it. **How do I create a 230v Simple Inverter Circuit Using 555 Timer My Circuits 9 PDF?** There are several ways to create a PDF: Use software like Adobe Acrobat, Microsoft Word, or Google Docs, which often have built-in PDF creation tools. Print to PDF: Many applications and operating systems have a "Print to PDF" option that allows you to save a document as a PDF file instead of printing it on paper. Online converters: There are various online tools that can convert different file types to PDF. **How do I edit a 230v Simple Inverter Circuit Using 555 Timer My Circuits 9 PDF?** Editing a PDF can be done with software like Adobe Acrobat, which allows direct editing of text, images, and other elements within the PDF. Some free tools, like PDFescape or Smallpdf, also offer basic editing capabilities. **How do I convert a 230v Simple Inverter Circuit Using 555 Timer My Circuits 9 PDF to another file format?** There are multiple ways to convert a PDF to another format: Use online converters like Smallpdf, Zamzar, or Adobe Acrobats export feature to convert PDFs to formats like Word, Excel, JPEG, etc. Software like Adobe Acrobat, Microsoft Word, or other PDF editors may have options to export or save PDFs in different formats. **How do I password-protect a 230v Simple Inverter Circuit Using 555 Timer My Circuits 9 PDF?** Most PDF editing software allows you to add password protection. In Adobe Acrobat, for instance, you can go to "File" -> "Properties" -> "Security" to set a password to restrict access or editing capabilities. Are there any free alternatives to Adobe Acrobat for working with PDFs? Yes, there are many free alternatives for working with PDFs, such as: LibreOffice: Offers PDF editing features. PDFsam: Allows splitting, merging, and editing PDFs. Foxit Reader: Provides basic PDF viewing and editing capabilities. How do I compress a PDF file? You can use online tools like Smallpdf, I Love PDF, or desktop software like Adobe Acrobat to compress PDF files without significant quality loss. Compression reduces the file size, making it easier to share and download. Can I fill out forms in a PDF file? Yes, most PDF viewers/editors like Adobe Acrobat, Preview (on Mac), or various online tools allow you to fill out forms in PDF files by selecting text fields and entering information. Are there any restrictions when working with PDFs? Some PDFs might have restrictions set by their creator, such as password protection, editing restrictions, or print

restrictions. Breaking these restrictions might require specific software or tools, which may or may not be legal depending on the circumstances and local laws.

Find 230v Simple Inverter Circuit Using 555 Timer My Circuits 9 :

science careers review for small business 37-2494 data science careers

~~for beginners USA 37-983 online business for beginners for creators~~

37-1065 online business blueprint America 37-1510 online business

~~37-2536 career growth strategies for creators 37-1525 career growth tips~~

~~37-270 online privacy case study for creators 37-1254 online privacy~~

~~entrepreneurs 37-1993 weight loss ideas for entrepreneurs 37-2130 weight~~

~~USA 37-455 small business ideas checklist United States 37-1231 small~~

tips software for entrepreneurs 37-777 travel tips step by step America

~~strategies for startups 37-1449 chatbot development tips for creators~~

~~travel blueprint USA 37-1592 luxury travel case study United States~~

marketing step by step for small business 37-876 TikTok marketing

learning basics strategies for startups 37-1952 machine learning basics

~~services checklist America 37-2052 VPN services checklist for~~

automation apps United States 37-669 business automation best practices

career growth for beginners for startups 37-1148 career growth for

230v Simple Inverter Circuit Using 555 Timer My Circuits 9 :

~~perfect world tome 10 vf 10 aruga rie chujo chiharu - Jan 09 2023~~

~~web perfect world tome 10 vf 10 aruga rie chujo chiharu amazon nl books~~

~~perfect world volume 10 by rie aruga the storygraph - Dec 08 2022~~

~~web perfect world volume 10 perfect world 10 rie aruga 176 pages first pub 2020 isbn uid 9781646511334 format paperback~~

~~language english publisher kodansha comics publication date 08 february 2022 fiction contemporary manga romance~~

~~emotional medium paced to read read~~

~~paperback february 8 2022 amazon com - Apr 12 2023~~

~~web feb 8 2022 this item perfect world 10 9 36 9 36 get it as soon as friday oct 27 in stock ships from and sold by amazon~~

com perfect world 9 10 39 10 39 get it as soon as monday oct 30 in stock ships from and sold by amazon com perfect world 11 10 14 10 14 get it as soon as friday oct 27

amazon com perfect world tome 10 10 french edition - Nov 07 2022

web jan 30 2020 amazon com perfect world tome 10 10 french edition 9782369747970 aruga rie chujo chiharu books
perfect world 10 by rie aruga 9781646511334 penguin - Jun 02 2022

web about perfect world 10 the moving provocative manga about the struggles and triumphs in love of a woman and a man who uses a wheelchair comes to print fans of tumultuous manga romance like a silent voice and your lie in april don t miss this a new chapter now happily married tsugumi and itsuki start their life as newlyweds
perfect world tome 10 by rie aruga open library - Mar 11 2023

web jan 30 2020 perfect world tome 10 by rie aruga chiharu chujo jan 30 2020 akata edition paperback

perfect world tome 10 rie aruga babelio - Jul 03 2022

web jan 30 2020 les thématiques que j aurais voulu voir abordées avant la question du mariage arrivent enfin dans ce tome vie de couple sexualité désir d enfants etc le manga retrouve sa tonalité adulte et renoue avec des thématiques fortes et peu traitées habituellement comme la conception in vitro les traitements pour la fécondité

perfect world tome 10 by rie aruga the storygraph - Sep 05 2022

web tsugumi et itsuki sont désormais officiellement unis par les liens du mariage le quotidien repre

reviews perfect world tome 10 the storygraph - May 01 2022

web perfect world tome 10 by rie aruga only show reviews with written explanations shector1 s review against another edition go to review page challenging emotional informative inspiring reflective tense medium paced spoiler from start to finish this was a raw volume of perfect world

perfect world tome 10 10 amazon co uk aruga rie chujo - Feb 10 2023

web buy perfect world tome 10 10 by aruga rie chujo chiharu isbn 9782369747970 from amazon s book store everyday low prices and free delivery on eligible orders

perfect world perfect world tome 10 google play - Mar 31 2022

web perfect world perfect world tome 10 ebook written by rie aruga read this book using google play books app on your pc android ios devices download for offline reading

perfect world tome 10 10 aruga rie amazon com au books - Jul 15 2023

web select the department you want to search in

perfect world tome 10 perfect world tome 10 vf fnac - Aug 16 2023

web jan 30 2020 perfect world tome 10 perfect world tome 10 vf rie aruga chiharu chujo akata des milliers de livres avec la

livraison chez vous en 1 jour ou en magasin avec 5 de réduction ou téléchargez la version ebook

perfect world tome 10 perfect world 10 by rie aruga goodreads - Oct 18 2023

web nov 13 2019 perfect world tome 10 rie aruga 4 32 924 ratings 102 reviews tsugumi et itsuki sont désormais officiellement unis par les liens du mariage le quotidien reprend son cours pour les deux adultes qui ont réussi à faire accepter leur couple par leur entourage et à trouver leur équilibre

perfect world tome 10 perfect world 10 by rie aruga goodreads - Sep 17 2023

web perfect world tome 10 perfect world 10 by rie aruga 4 33 rating details 600 ratings 73 reviews tsugumi et itsuki sont désormais officiellement unis par les liens du mariage le quotidien reprend son cours pour les deux adultes qui ont réussi à faire accepter leur couple par leur entourage et à trouver leur équilibre

editions of perfect world tome 10 by rie aruga goodreads - Jun 14 2023

web editions for perfect world tome 10 2369747978 mass market paperback published in 2020 1646511336 paperback published in 2022 8822620798 paperbac

perfect world vol 10 kindle comixology amazon com - Aug 04 2022

web feb 8 2022 perfect world vol 10 kindle edition by aruga rie aruga rie download it once and read it on your kindle device pc phones or tablets use features like bookmarks note taking and highlighting while reading perfect world vol 10

perfect world tome 10 vf ebook by rie aruga rakuten kobo - Feb 27 2022

web read perfect world tome 10 vf by rie aruga available from rakuten kobo sans toi ce monde serait imparfait avec perfect world rie aruga aborde la difficile question du handicap dans no

blerdymama s review of perfect world tome 10 goodreads - May 13 2023

web 5 5 after the emotional damage we were given in the previous volume i expected and looked forward to smooth sailing on a sea of happiness this go around that was not the case but i m actually happy about it in this volume our main couple is struggling with the challenges that come with planning a family they each take and express their woes

perfect world volume 10 perfect world myanimelist net - Oct 06 2022

web want to read the perfect world try out myanimelist official digital english language manga are available on myanimelist a new chapter now happily married tsugumi and itsuki start their life as newlyweds their relationship and careers are going smoothly and they cherish the everyday moments shared together

transcription and sammy walked in by michel camilo - Jul 27 2022

web transcription and sammy walked in by michel camilo free download as pdf file pdf text file txt or read online for free if you wish to have your original compositions transcribed to sheet music we will be happy to offer you our transcribing services

caribe piano transcription smartassmusic - Sep 09 2023

web september 18 2018 spread the love download pdf caribe michel camilo complete here is the completed michel camilo caribe transcription up to the improv section listen to sibelius reading the complete transcription below and you can download the full pdf from the link above

caribe michel camilo transcription smartassmusic - May 05 2023

web sep 3 2018 caribe michel camilo part 1 i first played this piece nearly 30 years ago and i m still learning it i wrote this for myself because the published versions are wrong this is one of the most requested transcriptions and quite frankly it s one of the most exciting pieces of piano playing i ve ever heard

caribe michel camilo part 2 smartassmusic - Apr 04 2023

web sep 6 2018 caribe michel camilo part 2 following on from part1 smartassmusic com caribe transcription part 1 here s the second part of michel camilo s amazing introduction transcribed

caribe piano transcription smartassmusic caribe michel camilo - Feb 02 2023

web latin by michecl camilo outer music transcription stations portfolio search shop posts 31 year 2019 london soul choir at the south credit 5 october 2018 recreating a record from 1971 18 september 2018 caribe michel camilo transcribing complete 17 september 2018 caribe part4 transcription 17 september 2018

caribe michel camilo sheet music pdf transcription piano - Oct 30 2022

web description the piano transcription caribe of michel camilo is for left and right hand note for note available by online download in several formats pdf midi xml sib mus etc this sheet music of michel camilo you can download on your pc and print in the real paper and playing at piano

michel camilo st thomas transcription youtube - Jun 25 2022

web nov 6 2011 artist michel camilo album st thomas writers sonny rollins licenses umg on behalf of rmm records concord music publishing bmi

take five michel camilo sheet music pdf transcription - Apr 23 2022

web michel camilo take five description the piano transcription take five of michel camilo is for left and right hand note for note available by online download in several formats pdf midi xml sib mus etc this sheet music of michel camilo you can download on your pc and print in the real paper and playing at piano

transcription michel camilo on fire piano prelude - Nov 30 2022

web feb 19 2019 a client asked me to transcribe this supercrazy solo by michel camilo sound is not pretty good but he plays so good original video youtube com

transcription happy birthday blue bossa by michel camilo - Aug 28 2022

web m vetriselvi transcription happy birthday blue bossa by michel camilo free download as pdf file pdf text file txt or read online for free if you wish to have your original compositions transcribed to sheet music we will be happy to offer you our transcribing services piano play com

[michel camilo from within transcription pianologist](#) - Mar 03 2023

web may 31 2007 rewsnat 22 comments may 31 2007 i couldn t forget the day i first saw this video a few years back showing michel camilo and his band firing away on this song from within in the ground breaking latin music documentary video calle 54

[michel camilo on fire from album what s up 2013 transcription](#) - Jun 06 2023

web michel camilo on fire from album what s up 2013 transcription mike pianoplay 7 24k subscribers subscribe 7 6k views 8 years ago full transcription in pdf and

michel camilo recommendations on transcribing create the transcriptions - Sep 28 2022

web here we have collected beautiful pieces which you can order for transcribing this pieces not transcribed yet artist title michel camilo a dream michel camilo a night in tunisia michel camilo a place in time michel camilo afro blue michel camilo

blue bossa jazz script buy the michel camilo transcription here - Feb 19 2022

web buy the transcription of blue bossa as played by michel camilo for solo piano the transcription is from the 1988 album michel camilo blue bossa is a well known composition written by kenny dorham camilo recorded his version together with percussionist mongo santamaría

caribe michel camilo transcription youtube - Jul 07 2023

web sep 17 2018 11k views 4 years ago this is sibelius reading our transcription of caribe i haven t bothered altering any of the play parameters sibelius is reading it raw download the pdfs here

[caribe michel camilo full transcription academia edu](#) - Aug 08 2023

web caribe michel camilo full transcription martin morales see full pdf download pdf see full pdf

[michel camilo just kiddin transcription youtube](#) - Jan 01 2023

web pdf available for purchase 9 in c gum co xqjsnbb gum co bblpleb gum co tnallother paquito d rivera transcriptions

caribe michel camilo free sheet music zoe composer - Mar 23 2022

web you can listen a little here free download pdf of caribe from the legendary michel s camilo album 1988 i transcribed for my graduation recital this amazing piece inside the file you will find sheet music for the piano the bass and the drum set

[michel camilo blue bossa transcription youtube](#) - May 25 2022

web ██████████ please subscribe to my channel youtube com channel uc np ████████ rainbow keyboard ████

michel camilo transcriptions piano play com - Oct 10 2023

web transcriptions sheet of michel camilo jazz piano solos including caribe hello and goodbye just kiddin not yet on the other hand one more once piece of Cake remembrance resolution spain st thomas thinking of

If001 the leila fletcher piano course book 1 amazon com - Jul 15 2023

web only 5 left in stock more on the way leila fletcher piano course book 1 is an on staff middle c approach to piano lessons fletcher included and understood the need for rote before note teaching as well as the philosophy of teaching from the known to the unknown

leila fletcher piano course book 1 archive org - Oct 06 2022

web fletcher piano course includesremovalskeyboardchartandprogresspages to removechartfrombook cut ortearoutfromcentrefold notesandkeyboardchart forthe leila fletcherpianocourse copyright 1950 2001 montgomerymu ic inc

leila fletcher piano course book 1 archive org - Jun 14 2023

web apr 10 2017 leila fletcher piano course book 1 topics piano music collection opensource language english

leila fletcher piano course book 1 complete youtube - Nov 07 2022

web oct 20 2020 leila fletcher piano course book 1 complete bruno camargo piano 3 48k subscribers subscribe 674 30k

views 2 years ago piano curso leila fletcher piano course book 1 complete with score

download leila fletcher piano course book 1 documents - Jul 03 2022

web download leila fletcher piano course book 1 type pdf date october 2019 size 3 6mb author luiza rodrigues this document was uploaded by user and they confirmed that they have the permission to share it if you are author or own the copyright of this book please report to us by using this dmca report form report dmca

tiger hunt leila fletcher piano course book 1 soundfilament - Jan 29 2022

web tiger hunt leila fletcher piano course book 1 soundfilamentcomplete simulation of staff sheet as well as keyboard simulationplease like share subscribe

abby middle music discover - Dec 28 2021

web abby middle music discover

leila fletcher piano course book 1 pdf google drive - Aug 16 2023

web sign in leila fletcher piano course book 1 pdf google drive sign in

leila fletcher - Dec 08 2022

web the leila fletcher piano course is a whole language approach through sight ear technique transposition and theory it is designed to meet the requirements of the average student these books are numbered consecutively not to represent the various grades of music but as a presentation of a continuous course in music education

leila fletcher piano course book 1 pdf pdf scribd - Jun 02 2022

web leila fletcher piano course book 1 pdf free download as pdf file pdf or view presentation slides online

fletcher leila piano course book 1 and cd sciarium - Feb 27 2022

web nov 10 2014 language english the piano course is dedicated to a four fold purpose the development of the ability to read music fluently and interpret it artistically the establishing of a sound and comprehensive piano technic and nurturing of the creative music talent and fostering of a lasting appreciation of music

leila fletcher piano course book 1 text pdf pdf piano - Feb 10 2023

web piano course includes removals keyboard chart a nd progress pages fto remove chart from book cut or tear out from centre fold notes and keyboard chart for the leila fletcher piano course 1950

piano course book 1 by leila fletcher sheet music plus - Mar 31 2022

web leila fletcher piano course book 1 is an on staff middle c approach to piano lessons fletcher included and understood the need for rote before note teaching as well as the philosophy of teaching from the known to the unknown the musical and attractive repertoire includes familiar tunes as well as teacher duets

lf001 the leila fletcher piano course book 1 amazon ca - Mar 11 2023

web leila fletcher piano course book 1 is an on staff middle c approach to piano lessons fletcher included and understood the need for rote before note teaching as well as the philosophy of teaching from the known to the unknown the musical and attractive repertoire includes familiar tunes as well as teacher duets

piano course leila fletcher - Aug 04 2022

web piano course the leila fletcher piano series it s fun to play and fun to learn one of the the world s best selling piano series includes a whole language approach through sight ear technique transposition and theory audio play along cd s now available for all books primer a click for more information and to order this book fletcher book 1

leila fletcher piano course book 1 complete youtube - Sep 05 2022

web feb 18 2018 playlist for leila fletcher piano course youtube com playlist list i am an experienced piano teacher in epping sydney and piano accompanist for music exams held in

leila fletcher piano course book 1 pdf pdf scribd - May 13 2023

web leila fletcher piano course book 1 pdf free download as pdf file pdf or read online for free

pdf leila fletcher piano course book 1 1 academia edu - Apr 12 2023

web leila fletcher piano course book 1 1

leila fletcher piano course book 1 pdf clef scribd - May 01 2022

web sep 9 2022 leila fletcher piano course book 1 1 free download as word doc doc docx pdf file pdf text file txt or view presentation slides online scribd is the world s largest social reading and publishing site leila fletcher piano course book 1

uploaded by sonya rosa

leila fletcher piano course book 1 - Jan 09 2023

web leila fletcher piano course book 1 is an on staff middle c approach to piano lessons fletcher included and understood the need for rote before note teaching as well as the philosophy of teaching from the known to the unknown the musical and attractive repertoire includes familiar tunes as well as teacher duets