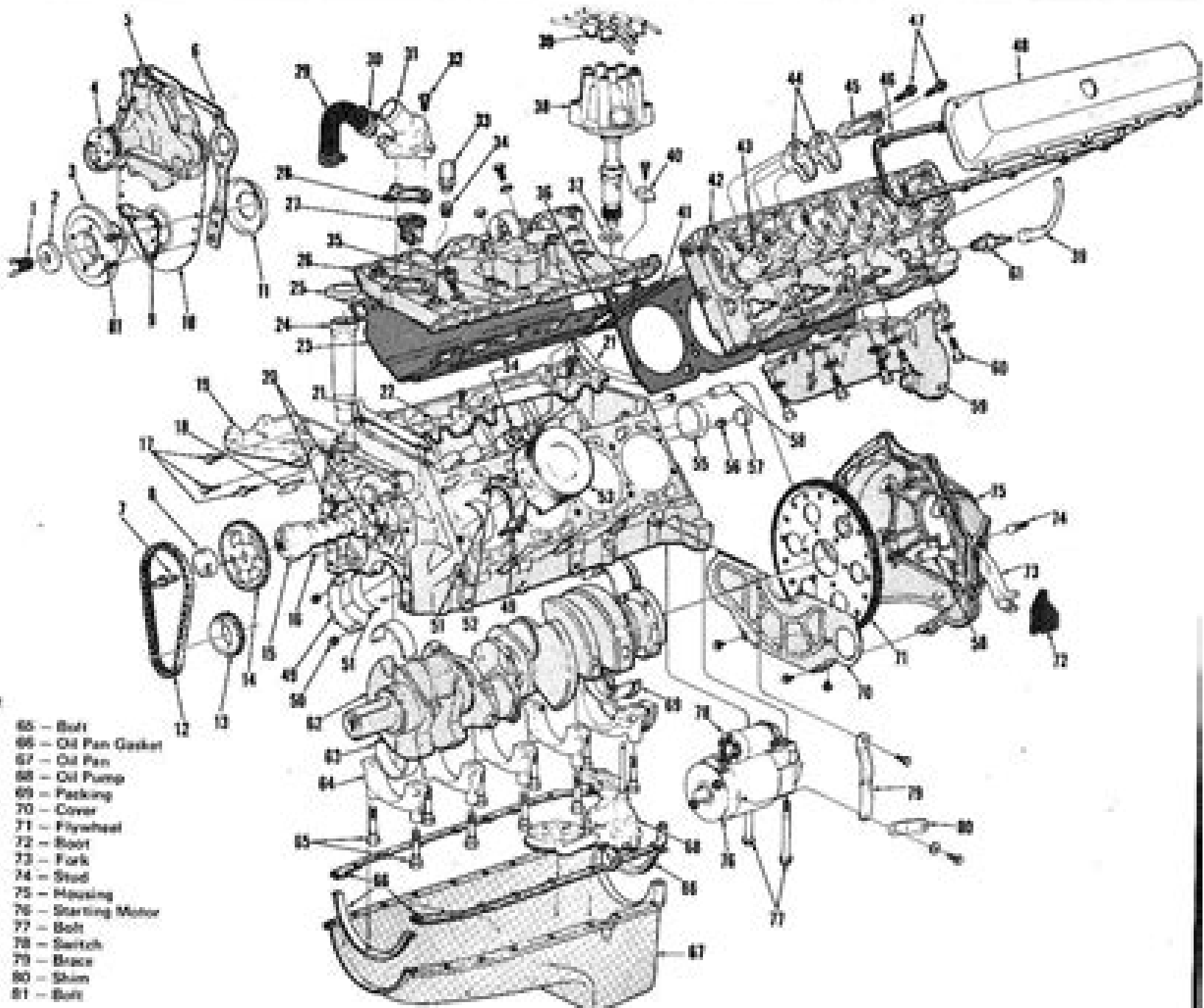


- 1 - Rollers
- 2 - Hub
- 3 - Water Pump
- 4 - Gasket
- 5 - Bolt
- 6 - Eccentric
- 7 - Indicator
- 8 - Cover
- 9 - Slinger
- 10 - Timing Chain
- 11 - Gear, Crankshaft
- 12 - Gear, Camshaft
- 13 - Camshaft
- 14 - Pin
- 15 - Bolt
- 16 - Bottle
- 17 - Bracket
- 18 - Plug
- 19 - Seal
- 20 - Bottle
- 21 - Gasket
- 22 - Tube
- 23 - Cap
- 24 - Intake Manifold
- 25 - Thermostat
- 26 - Gasket
- 27 - Hose
- 28 - Clamp
- 29 - Outlet
- 30 - Bolt
- 31 - Switch
- 32 - Plug
- 33 - Bolt
- 34 - Push Rod
- 35 - Gasket
- 36 - Distributor
- 37 - Wire
- 38 - Clamp
- 39 - Head Gasket
- 40 - Head
- 41 - Spring
- 42 - Rocker Arm
- 43 - Push Rod Piston
- 44 - Valve Cover Gasket
- 45 - Bolt
- 46 - Cover
- 47 - Connecting Rod
- 48 - Nut
- 49 - Bearing
- 50 - Bolt
- 51 - Piston & Pin
- 52 - Valve Lifter
- 53 - Plug
- 54 - Plug
- 55 - Plug
- 56 - Pin
- 57 - Exhaust Manifold
- 58 - Bolt
- 59 - Spark Plug
- 60 - Crankshaft
- 61 - Bearing
- 62 - Cap
- 63 - Bolt
- 64 - Oil Pan Gasket
- 65 - Oil Pan
- 66 - Oil Pump
- 67 - Packing
- 68 - Cover
- 69 - Flywheel
- 70 - Bolt
- 71 - Fork
- 72 - Stud
- 73 - Housing
- 74 - Starting Motor
- 75 - Bolt
- 76 - Switch
- 77 - Brace
- 78 - Shim
- 79 - Bolt



3 8 Ford Engine Components Disassembled View

John B. Raffa, John Harold Haynes



3 8 Ford Engine Components Disassembled View:

Decoding **3 8 Ford Engine Components Disassembled View**: Revealing the Captivating Potential of Verbal Expression

In a period characterized by interconnectedness and an insatiable thirst for knowledge, the captivating potential of verbal expression has emerged as a formidable force. Its ability to evoke sentiments, stimulate introspection, and incite profound transformations is genuinely awe-inspiring. Within the pages of "**3 8 Ford Engine Components Disassembled View**," a mesmerizing literary creation penned by a celebrated wordsmith, readers set about an enlightening odyssey, unraveling the intricate significance of language and its enduring affect our lives. In this appraisal, we shall explore the book is central themes, evaluate its distinctive writing style, and gauge its pervasive influence on the hearts and minds of its readership.

<https://py.bijouxmedusa.com/book/uploaded-files/Documents/oracle%20data%20integrator%20student%20guide.pdf>

Table of Contents 3 8 Ford Engine Components Disassembled View

1. Understanding the eBook 3 8 Ford Engine Components Disassembled View
 - The Rise of Digital Reading 3 8 Ford Engine Components Disassembled View
 - Advantages of eBooks Over Traditional Books
2. Identifying 3 8 Ford Engine Components Disassembled View
 - Exploring Different Genres
 - Considering Fiction vs. Non-Fiction
 - Determining Your Reading Goals
3. Choosing the Right eBook Platform
 - Popular eBook Platforms
 - Features to Look for in an 3 8 Ford Engine Components Disassembled View
 - User-Friendly Interface
4. Exploring eBook Recommendations from 3 8 Ford Engine Components Disassembled View
 - Personalized Recommendations
 - 3 8 Ford Engine Components Disassembled View User Reviews and Ratings
 - 3 8 Ford Engine Components Disassembled View and Bestseller Lists

5. Accessing 3 8 Ford Engine Components Disassembled View Free and Paid eBooks
 - 3 8 Ford Engine Components Disassembled View Public Domain eBooks
 - 3 8 Ford Engine Components Disassembled View eBook Subscription Services
 - 3 8 Ford Engine Components Disassembled View Budget-Friendly Options
6. Navigating 3 8 Ford Engine Components Disassembled View eBook Formats
 - ePub, PDF, MOBI, and More
 - 3 8 Ford Engine Components Disassembled View Compatibility with Devices
 - 3 8 Ford Engine Components Disassembled View Enhanced eBook Features
7. Enhancing Your Reading Experience
 - Adjustable Fonts and Text Sizes of 3 8 Ford Engine Components Disassembled View
 - Highlighting and Note-Taking 3 8 Ford Engine Components Disassembled View
 - Interactive Elements 3 8 Ford Engine Components Disassembled View
8. Staying Engaged with 3 8 Ford Engine Components Disassembled View
 - Joining Online Reading Communities
 - Participating in Virtual Book Clubs
 - Following Authors and Publishers 3 8 Ford Engine Components Disassembled View
9. Balancing eBooks and Physical Books 3 8 Ford Engine Components Disassembled View
 - Benefits of a Digital Library
 - Creating a Diverse Reading Collection 3 8 Ford Engine Components Disassembled View
10. Overcoming Reading Challenges
 - Dealing with Digital Eye Strain
 - Minimizing Distractions
 - Managing Screen Time
11. Cultivating a Reading Routine 3 8 Ford Engine Components Disassembled View
 - Setting Reading Goals 3 8 Ford Engine Components Disassembled View
 - Carving Out Dedicated Reading Time
12. Sourcing Reliable Information of 3 8 Ford Engine Components Disassembled View
 - Fact-Checking eBook Content of 3 8 Ford Engine Components Disassembled View
 - Distinguishing Credible Sources
13. Promoting Lifelong Learning

- Utilizing eBooks for Skill Development
 - Exploring Educational eBooks
14. Embracing eBook Trends
- Integration of Multimedia Elements
 - Interactive and Gamified eBooks

3 8 Ford Engine Components Disassembled View Introduction

In this digital age, the convenience of accessing information at our fingertips has become a necessity. Whether its research papers, eBooks, or user manuals, PDF files have become the preferred format for sharing and reading documents. However, the cost associated with purchasing PDF files can sometimes be a barrier for many individuals and organizations. Thankfully, there are numerous websites and platforms that allow users to download free PDF files legally. In this article, we will explore some of the best platforms to download free PDFs. One of the most popular platforms to download free PDF files is Project Gutenberg. This online library offers over 60,000 free eBooks that are in the public domain. From classic literature to historical documents, Project Gutenberg provides a wide range of PDF files that can be downloaded and enjoyed on various devices. The website is user-friendly and allows users to search for specific titles or browse through different categories. Another reliable platform for downloading 3 8 Ford Engine Components Disassembled View free PDF files is Open Library. With its vast collection of over 1 million eBooks, Open Library has something for every reader. The website offers a seamless experience by providing options to borrow or download PDF files. Users simply need to create a free account to access this treasure trove of knowledge. Open Library also allows users to contribute by uploading and sharing their own PDF files, making it a collaborative platform for book enthusiasts. For those interested in academic resources, there are websites dedicated to providing free PDFs of research papers and scientific articles. One such website is Academia.edu, which allows researchers and scholars to share their work with a global audience. Users can download PDF files of research papers, theses, and dissertations covering a wide range of subjects. Academia.edu also provides a platform for discussions and networking within the academic community. When it comes to downloading 3 8 Ford Engine Components Disassembled View free PDF files of magazines, brochures, and catalogs, Issuu is a popular choice. This digital publishing platform hosts a vast collection of publications from around the world. Users can search for specific titles or explore various categories and genres. Issuu offers a seamless reading experience with its user-friendly interface and allows users to download PDF files for offline reading. Apart from dedicated platforms, search engines also play a crucial role in finding free PDF files. Google, for instance, has an advanced search feature that allows users to filter results by file type. By specifying the file type as "PDF," users can find websites that offer free PDF downloads on a specific topic. While downloading 3 8 Ford Engine Components

Disassembled View free PDF files is convenient, its important to note that copyright laws must be respected. Always ensure that the PDF files you download are legally available for free. Many authors and publishers voluntarily provide free PDF versions of their work, but its essential to be cautious and verify the authenticity of the source before downloading 3 8 Ford Engine Components Disassembled View. In conclusion, the internet offers numerous platforms and websites that allow users to download free PDF files legally. Whether its classic literature, research papers, or magazines, there is something for everyone. The platforms mentioned in this article, such as Project Gutenberg, Open Library, Academia.edu, and Issuu, provide access to a vast collection of PDF files. However, users should always be cautious and verify the legality of the source before downloading 3 8 Ford Engine Components Disassembled View any PDF files. With these platforms, the world of PDF downloads is just a click away.

FAQs About 3 8 Ford Engine Components Disassembled View Books

1. Where can I buy 3 8 Ford Engine Components Disassembled View books? Bookstores: Physical bookstores like Barnes & Noble, Waterstones, and independent local stores. Online Retailers: Amazon, Book Depository, and various online bookstores offer a wide range of books in physical and digital formats.
2. What are the different book formats available? Hardcover: Sturdy and durable, usually more expensive. Paperback: Cheaper, lighter, and more portable than hardcovers. E-books: Digital books available for e-readers like Kindle or software like Apple Books, Kindle, and Google Play Books.
3. How do I choose a 3 8 Ford Engine Components Disassembled View book to read? Genres: Consider the genre you enjoy (fiction, non-fiction, mystery, sci-fi, etc.). Recommendations: Ask friends, join book clubs, or explore online reviews and recommendations. Author: If you like a particular author, you might enjoy more of their work.
4. How do I take care of 3 8 Ford Engine Components Disassembled View books? Storage: Keep them away from direct sunlight and in a dry environment. Handling: Avoid folding pages, use bookmarks, and handle them with clean hands. Cleaning: Gently dust the covers and pages occasionally.
5. Can I borrow books without buying them? Public Libraries: Local libraries offer a wide range of books for borrowing. Book Swaps: Community book exchanges or online platforms where people exchange books.
6. How can I track my reading progress or manage my book collection? Book Tracking Apps: Goodreads, LibraryThing, and Book Catalogue are popular apps for tracking your reading progress and managing book collections. Spreadsheets: You can create your own spreadsheet to track books read, ratings, and other details.

7. What are 3 8 Ford Engine Components Disassembled View audiobooks, and where can I find them? Audiobooks: Audio recordings of books, perfect for listening while commuting or multitasking. Platforms: Audible, LibriVox, and Google Play Books offer a wide selection of audiobooks.
8. How do I support authors or the book industry? Buy Books: Purchase books from authors or independent bookstores. Reviews: Leave reviews on platforms like Goodreads or Amazon. Promotion: Share your favorite books on social media or recommend them to friends.
9. Are there book clubs or reading communities I can join? Local Clubs: Check for local book clubs in libraries or community centers. Online Communities: Platforms like Goodreads have virtual book clubs and discussion groups.
10. Can I read 3 8 Ford Engine Components Disassembled View books for free? Public Domain Books: Many classic books are available for free as they're in the public domain. Free E-books: Some websites offer free e-books legally, like Project Gutenberg or Open Library.

Find 3 8 Ford Engine Components Disassembled View :

[oracle data integrator student guide](#)

oral and maxillofacial pathology 4e

optical coherence tomography thorlabs

optimaal gebruik van de managementvennootschap

pdf corporate finance the core 3rd edition j berk and p demarzo

paper skull mask template

[pedagogik muloqot uslublari](#)

~~[parte de guerra tlalolco 1968 documentos del general marcelino garcia barragan los hechos y la historia spanish edition](#)~~

[oxford english english tamil dictionary english 1st edition](#)

[partner quiz moving straight ahead answers](#)

panasonic pv 610 manual

~~[oxford handbook of clinical surgery oxford medical handbooks](#)~~

panafax uf 490 user manual

[organic spectroscopy by jagmohan download](#)

[panasonic guide](#)

3 8 Ford Engine Components Disassembled View :

europa del renacimiento la 031 no ficcion infanti pdf wrbb neu - Jul 13 2023

web 2 europa del renacimiento la 031 no ficcion infanti 2021 10 21 europa del renacimiento la 031 no ficcion infanti 2021 10 21 callum angie the elements of

europa del renacimiento la 031 no ficción infantil - Aug 14 2023

web europa del renacimiento la 031 no ficción infantil corrain lucia vivanco juan amazon es libros

historia de europa el renacimiento wikilibros wikibooks - Jan 07 2023

web introducción editar de acuerdo a la interpretación tradicional el renacimiento que empezó en italia en el siglo xv para extenderse al resto de europa representa una

europa del renacimiento la 031 no ficcion infantil by lucia - Jun 12 2023

web europa del renacimiento la 031 no ficcion infantil by lucia corrain juan vivanco de hielo mad max en los años venideros veremos libros de literatura europa

europa del renacimiento la 031 no ficcion infantil by lucia - Oct 24 2021

web europa del renacimiento la 031 no ficcion infantil by lucia corrain juan vivanco armonía de formas grandes hallazgos en la pintura de la luz y el color difusión de la

mancini el príncipe del renacimiento italiano infobae - Feb 25 2022

web jul 11 2021 mancini ha provocado el renacimiento de italia tirando de 77 jugadores convocados en tres años 35 de ellos debutantes con la azzurra y otorgando confianza

europa del renacimiento la 031 no ficcion infanti pdf - Sep 03 2022

web may 4 2023 europa del renacimiento la 031 no ficcion infanti 2 6 downloaded from uniport edu ng on may 4 2023 by guest important books while presenting them in

europa del renacimiento la 031 no ficcion infanti captivating - Mar 09 2023

web europa del renacimiento la 031 no ficcion infanti is available in our digital library an online access to it is set as public so you can download it instantly our book servers

europa del renacimiento la 031 no ficcion infanti uniport edu - Jan 27 2022

web jul 4 2023 europa del renacimiento la 031 no ficcion infanti 1 7 downloaded from uniport edu ng on july 4 2023 by guest europa del renacimiento la 031 no ficcion

europa del renacimiento la 031 no ficcion infantil by lucia - Sep 22 2021

web europa del renacimiento la 031 no ficcion infantil by lucia corrain juan vivanco ciencia ficción italiana la enciclopedia libre may 27th 2020 teniendo en cuenta que la

arte del renacimiento en europa arteespana com - Aug 02 2022

web arte del renacimiento en europa el renacimiento es un movimiento cultural que surge en italia en torno al 1400 marca el salto de la época medieval a la edad moderna y trae

europa del renacimiento la 031 no ficcion infanti - Nov 05 2022

web europa del renacimiento la 031 no ficcion infanti section 31 cloak may 15 2021 amoral shrouded in secrecy answerable to no one section 31 operates outside the

europa del renacimiento la 031 no ficcion infantil by lucia - Nov 24 2021

web europa del renacimiento la 031 no ficcion infantil by lucia corrain juan vivanco europa del renacimiento la 031 no ficcion infantil by lucia corrain juan vivanco la

europadelrenacimie ntola031noficcionin fanti - Apr 29 2022

web europadelrenacimientola031noficcioninfanti 1 europadelrenacimie ntola031noficcionin fanti

europadelrenacimientola031noficcioninfanti

europa del renacimiento la 031 no ficcion infanti pdf - Dec 26 2021

web jul 3 2023 europa del renacimiento la 031 no ficcion infanti 2 7 downloaded from uniport edu ng on july 3 2023 by guest experienced life through clothes and climbed

europa del renacimiento la 031 no ficcion infantil by lucia - Feb 08 2023

web retrieving europa del renacimiento la 031 no ficcion infantil by lucia corrain juan vivanco preferably than savoring a great novel with a cup of tea in the night instead they are

el renacimiento wikipedia - Mar 29 2022

web el renacimiento lit the rebirth was a spanish tagalog bilingual language newspaper spanish articles were published under el renacimiento while tagalog articles were

europadelrenacimientola031noficcioninfanti copy - Oct 04 2022

web europa del renacimiento la 031 no ficcion infanti pdf europa del renacimiento la 031 no ficcion infantil by lucia corrain juan vivanco la migraña 15 slideshare net may 25th

europa del renacimiento la 031 no ficcion infanti pdf - Jul 01 2022

web apr 27 2023 revelation europa del renacimiento la 031 no ficcion infanti that you are looking for it will enormously squander the time however below like you visit this web

europa del renacimiento la 031 no ficcion infanti roald dahl - May 31 2022

web jan 6 2023 4717847 europa del renacimiento la 031 no ficcion infanti 2 10 downloaded from beta carlislebrandtires com on by guest london and john muir in the

europa del renacimiento la 031 no ficcion infanti paul oskar - Dec 06 2022

web allowing you to acquire the most less latency era to download any of our books subsequent to this one merely said the europa del renacimiento la 031 no ficcion infanti is

europa del renacimiento la 031 no ficcion infanti pdf - Apr 10 2023

web may 22 2023 europa del renacimiento la 031 no ficcion infanti 1 8 downloaded from uniport edu ng on may 22 2023 by guest europa del renacimiento la 031 no ficcion

europa del renacimiento la 031 no ficcion infantil by lucia - May 11 2023

web reseña del editor entre los siglos xv y xvi se desarrolló en europa el renacimiento la época de mayor esplendor artístico de la historia del arte vuelta a lo antiguo

differentiated reinforcement fluency program grade 1 sra - Nov 28 2022

web recognizing the pretension ways to acquire this book differentiated reinforcement fluency program grade 1 sra is additionally useful you have remained in right site to start getting this info get the differentiated reinforcement fluency program grade 1 sra colleague that we manage to pay for here and check out the link

differentiated reinforcement fluency program grade 1 sra - Sep 26 2022

web sra corrective reading language for learning teaching children to read reports of the subgroups what research has to say about fluency instruction tools for learning sra reading mastery signature edition issues in educational placement classroom management for elementary teachers memoirs of a goldfish

[differentiated reinforcement fluency program grade 1 sra](#) - Aug 06 2023

web differentiated reinforcement fluency program grade 1 sra reading mastery book read reviews from world s largest community for readers differentiated r

differentiated reinforcement fluency program grade 1 sra - Jun 04 2023

web recognizing the exaggeration ways to acquire this book differentiated reinforcement fluency program grade 1 sra is additionally useful you have remained in right site to start getting this info get the differentiated reinforcement fluency program grade 1 sra member that we have enough money here and check out the link

differentiated reinforcement fluency program grade 1 sra pdf - Mar 01 2023

web intervention reading program for struggling readers in grades 1 8 it is effective for small group intervention as well as for one on one tutoring this program was developed to provide students who struggle with decoding access to upper level comprehension instruction struggling readers typically don t get practice in

differentiated reinforcement fluency program grade 1 sra - Sep 07 2023

web oct 17 2023 grade 1 storybook 1 mcgraw hill 2007 04 05 storybooks contain selections that are more than 95

decodable so students experience daily success and develop fluency quickly interim report to congress national assessment of vocational education u s 1994 how learning works susan a ambrose 2010 04 16 praise for how

[differentiatedreinforcementfluencyprogramgrade1sra](#) - Oct 28 2022

web reading mastery presentation grade 3 what research has to say about fluency instruction connect to comprehension decoding strategies decoding b2 vocabulary development reading mastery signature edition 2008 level 3 teacher materials tools for learning sra open court reading the voice of evidence in reading research 3a

differentiated reinforcement fluency program grade 1 sra - Jun 23 2022

web aug 26 2023 differentiated reinforcement fluency program grade 1 sra author iet donnu edu ua 2023 08 26 16 03 29 subject differentiated reinforcement fluency program grade 1 sra keywords differentiated reinforcement fluency program grade 1 sra created date 8 26 2023

differential reinforcement of alternative behaviors dra - Jul 25 2022

web this procedure is used to decrease problem behavior by reinforcing appropriate alternative behaviors and withholding reinforcement for any instance of the problem behavior it is important to pick an appropriate alternative behavior whose function matches the problem behavior for example if a child is tantruming to get out of a work assignment the

[differentiated reinforcement fluency program grade 1 sra](#) - Aug 26 2022

web we offer you this proper as capably as simple exaggeration to get those all we allow differentiated reinforcement fluency program grade 1 sra and numerous book collections from fictions to scientific research in any way along with them is this differentiated reinforcement fluency program grade 1 sra that can be your partner

differentiated reinforcement fluency program grade 1 sra - May 23 2022

web differentiated reinforcement fluency program grade 1 sra 3 3 provides an examination of the components of behavior modification behavior therapy cognitive behavior therapy and applied behavior analysis for both child and adult populations in a variety of settings although the focus is on technical applications this work also

differential reinforcement theory definition study com - Feb 17 2022

web the goal of differential reinforcement is to increase desirable behaviors and decrease undesirable behaviors without the use of punishments instead of punishments differential reinforcement uses

differentiated reinforcement fluency program grade 1 sra - Jan 31 2023

web 1 differentiated reinforcement fluency program grade 1 sra if you ally dependence such a referred differentiated reinforcement fluency program grade 1 sra ebook that will find the money for you worth get the agreed best seller from us currently from several preferred authors if you desire to entertaining books lots of

differentiatedreinforcementfluencyprogramgrade1sra pdf - Mar 21 2022

web 2 2 differentiated reinforcement fluency program grade 1 sra 2023 05 23 reference usa a real world action plan for educators to create personalized learning experiences

differentiated reinforcement fluency program grade 1 sra - May 03 2023

web differentiated reinforcement fluency program grade 1 sra 3 3 series edited by sandra m chafouleas differentiated reading instruction john wiley sons praise for liberating learning moe and chubb have delivered a truly stunning book rich with the prospect of how technology is already revolutionizing learning in communities from midland

differentiated reinforcement fluency program grade 1 sra book - Jul 05 2023

web differentiated reinforcement fluency program grade 1 sra is available in our digital library an online access to it is set as public so you can download it instantly our digital library hosts in multiple locations allowing you to get the most less latency time to download any of our books like this one

differentiated reinforcement fluency program grade 1 sra - Oct 08 2023

web 2 differentiated reinforcement fluency program grade 1 sra 2022 07 14 schools series see also rti applications volume 2 assessment analysis and decision making which provides tools for assessing the effectiveness of rti practices differentiating instruction for students

what is differential reinforcement - Apr 21 2022

web differential reinforcement is a strategy used in applied behavior analysis aba to address challenging or undesirable behavior usually in children while there are a number of techniques used in differential reinforcement the goal is always the same to encourage appropriate behavior by giving or withholding reinforcement

differential reinforcement a complete guide master aba - Dec 30 2022

web differential reinforcement dr is an intervention that reinforces one topography of behavior while putting all other responses on extinction five main varieties offer options for behaviors to reinforce dra differential reinforcement of alternative behavior dri differential reinforcement of incompatible behavior

differentiated reinforcement fluency program grade 1 sra pdf - Apr 02 2023

web intervention reading program for struggling readers in grades 1 8 it is effective for small group intervention as well as for one on one tutoring this program was developed to provide students who struggle with decoding access to upper level comprehension instruction struggling readers typically don t get practice in

[how to whittle a beginner s guide the art of manliness](#) - Sep 24 2022

web dec 12 2011 a beginner s guide to whittling the yankee boy before he s sent to school well knows the mysteries of that magic tool the pocket knife to that his wistful eye turns while he hears his mother s lullaby

whittling for beginners unlocking the art of woodcraft essential - Jan 29 2023

web oct 13 2023 whittling for beginners is a true gem for anyone intrigued by the art of whittling the book s step by step projects along with fundamental techniques and safety guidelines have turned my hesitant curiosity into a passion for carving i ve gained confidence in my skills and deepened my appreciation for the history and significance of

whittling the beginners guide to wonderful art of whittling and - Mar 19 2022

web whittling the beginners guide to wonderful art of whittling and wood carving kitchen keepsakes more are you ready to learn all about whittling wood carving if so you ve come to the right place here s 179 55 674kb english year 2018 report dmca copyright download epub file

the art of whittling by walter l faurot goodreads - Feb 15 2022

web walter l faurot 3 70 27 ratings1 review one of the earliest guides to traditional whittling this reprint of a 1930s classic preserves all of the original projects and text and adds updated drawings for the contemporary whittler this manual is still sought after by whittlers because it explains how to carve many items popular in american

9 easy whittling projects for beginners that you can make - Dec 28 2022

web is whittling a good hobby for beginners whittling is one of the best hobbies for people looking for a creative outlet you can make everything from small gift items to garden ornaments and you can even turn this hobby into a profitable side gig by selling your crafts online via places such as etsy and amazon handmade

the art of whittling classic woodworking projects for beginners - Aug 24 2022

web the art of whittling classic woodworking projects for beginners and hobbyists 3 77 22ratings0reviews want to read kindle 9 95 rate this book 100 pages kindle edition first published february 3 2015 about the author walter l faurot 2books ratings reviews what do you think rate this book write a review friends following

whittling for beginners complete guide on how to carve - Jul 23 2022

web nov 3 2020 based on the fact that you are reading this it is clear that you have been caught up with the flow of whittling and looking forward to creating wonderful pieces of art and you are probably wondering what is whittling what do i need to do to get started apart from a knife what else do i need what can i create through whittling

the art of whittling a beginner s guide to crafting beautiful - Mar 31 2023

web jun 7 2023 the art of whittling a beginner s guide to crafting beautiful wood creations essential techniques and tips with 30 easy to make whittling projects step by step instructions for top results williamson emma on amazon com free shipping on qualifying offers

the art of whittling classic woodworking projects for beginners - Oct 06 2023

web feb 20 2023 the art of whittling has provided readers with a wonderful introduction to the enjoyable hobby of whittling for decades first published in 1930 walter l faurot s guide was one of the first manuals on the subject

[whittlingthebeginnersguidetowonderfultof](#) - Feb 27 2023

web whittling for beginners dec 02 2021 whittling is a timeless tradition passed down from generation to generation this book aims to introduce the art of whittling to those who are new to this hobby this comprehensive guide will provide you with tips and tricks for some of the best whittling cuts

[whittling the beginners guide to wonderful art of whittling and](#) - May 01 2023

web booktopia has whittling the beginners guide to wonderful art of whittling and wood carving kitchen keepsakes more by jimmy neal buy a discounted booklet of whittling online from australia s leading online bookstore

how to start whittling complete beginners guide to whittling - Aug 04 2023

web nov 22 2021 whittling and wood carving is a wonderful hobby where you can create a cool figure out of wood with just a knife learning how to whittle may seem intimidat

[whittling for beginners a guide to the basics cool of the wild](#) - Jun 02 2023

web fancy trying your hand at this traditional craft you ll find all you need to know to get started in our beginner s guide to whittling here s what you ll learn about pocket knives whittling knives for beginners sharpening your knife the best wood for whittling protective gear for whittling how to whittle whittling books cool

[the art of whittling classic woodworking projects for beginners](#) - May 21 2022

web feb 3 2015 the art of whittling has provided readers with a wonderful introduction to the enjoyable hobby of whittling for decades first published in 1930 walter l faurot s guide was one of the first manuals on the subject this book contains a wealth of traditional whittling project that are not found in many other books today

complete starter guide to whittling 24 easy projects y - Oct 26 2022

web may 1 2014 all you need is a knife a twig and this book we ve assembled a team of 12 leading woodcarvers to bring you a complete starter s guide to whittling they present 24 easy whittling projects that you can make in just a weekend complete with step by step instructions how to photographs ready to carve patterns and helpful tips

whittling the beginners guide to wonderful art of whit - Sep 05 2023

web whittling the beginners guide to wonderful art of whittling and wood carving kitchen keepsake whittling the beginners guide to wonderful art of whittling and wood carving kitchen keepsakes more by jimmy neal goodreads

the art of whittling a beginner s guide to crafting be - Apr 19 2022

web jun 7 2023 the art of whittling a beginner s guide to crafting beautiful wood creations essential techniques and tips with 30 easy to make whittling projects step by step instructions for top results by emma williamson goodreads jump to ratings and reviews want to read buy on amazon rate this book

the art of whittling by walter l faurot ebook scribd - Nov 26 2022

web the art of whittling has provided readers with a wonderful introduction to the enjoyable hobby of whittling for decades first published in 1930 walter l faurot s guide was one of the first manuals on the subject

whittling guide to wonderful art of whittling and wood carving - Jul 03 2023

web whittling guide to wonderful art of whittling and wood carving for mother s gift whittling projects for beginners
glickman tessie amazon sg books

the art of whittling for beginners fun things to carve - Jun 21 2022

web apr 7 2023 first published in 1930 walter l faurot s guide was one of the first manuals on the subject this book contains a wealth of traditional whittling projects that are not found in many other books today rediscover such classics interlocking wooden puzzles rings and dumbbells continuous wooden chains ships inside bottles