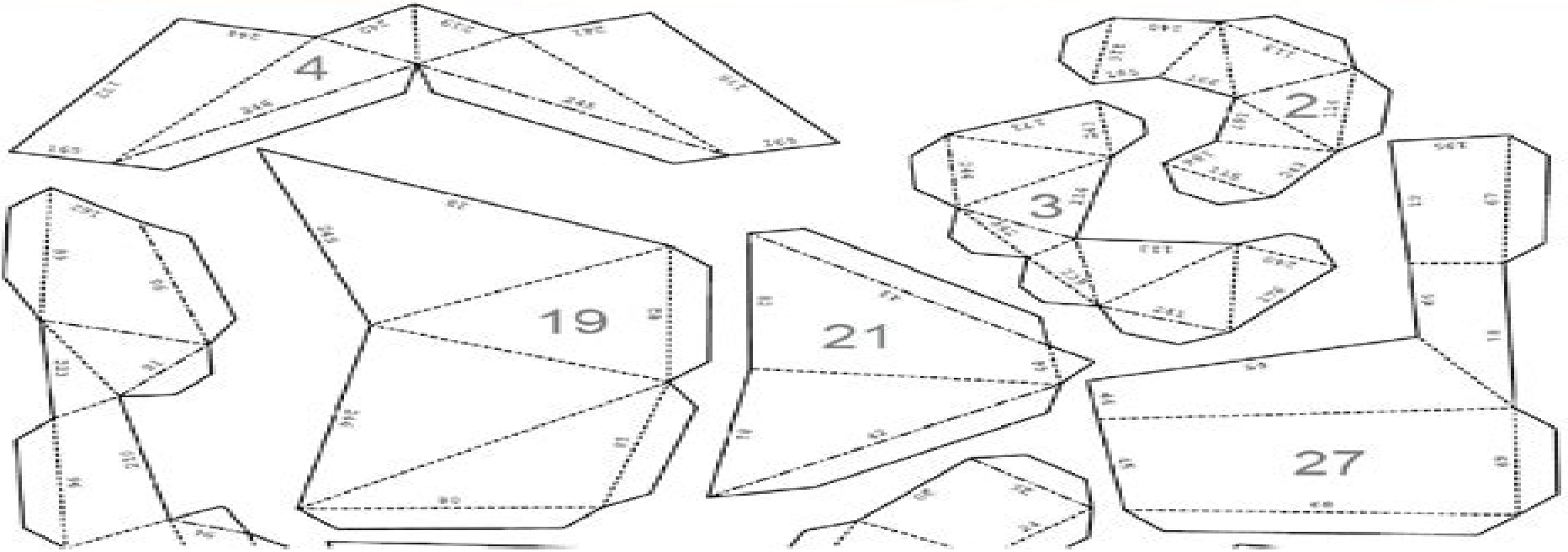




PDF

PNG

studio3



3d Paper Animal Head Template

A Loxley



3d Paper Animal Head Template:

Embracing the Tune of Expression: An Mental Symphony within **3d Paper Animal Head Template**

In a world taken by displays and the ceaseless chatter of instantaneous connection, the melodic elegance and mental symphony created by the published term usually disappear into the backdrop, eclipsed by the persistent sound and distractions that permeate our lives. Nevertheless, located within the pages of **3d Paper Animal Head Template** a marvelous literary prize overflowing with raw feelings, lies an immersive symphony waiting to be embraced. Constructed by a masterful composer of language, that interesting masterpiece conducts readers on an emotional trip, well unraveling the concealed melodies and profound affect resonating within each carefully constructed phrase. Within the depths with this emotional evaluation, we can examine the book is main harmonies, analyze their enthralling writing style, and submit ourselves to the profound resonance that echoes in the depths of readers souls.

https://py.bijouxmedusa.com/public/scholarship/index.jsp/Parenting_Tips_Case_Study_United_States_36_223_Parenting_Tips_Case_Study.pdf

Table of Contents 3d Paper Animal Head Template

1. Understanding the eBook 3d Paper Animal Head Template
 - The Rise of Digital Reading 3d Paper Animal Head Template
 - Advantages of eBooks Over Traditional Books
2. Identifying 3d Paper Animal Head Template
 - Exploring Different Genres
 - Considering Fiction vs. Non-Fiction
 - Determining Your Reading Goals
3. Choosing the Right eBook Platform
 - Popular eBook Platforms
 - Features to Look for in an 3d Paper Animal Head Template
 - User-Friendly Interface
4. Exploring eBook Recommendations from 3d Paper Animal Head Template

- Personalized Recommendations
 - 3d Paper Animal Head Template User Reviews and Ratings
 - 3d Paper Animal Head Template and Bestseller Lists
5. Accessing 3d Paper Animal Head Template Free and Paid eBooks
 - 3d Paper Animal Head Template Public Domain eBooks
 - 3d Paper Animal Head Template eBook Subscription Services
 - 3d Paper Animal Head Template Budget-Friendly Options
 6. Navigating 3d Paper Animal Head Template eBook Formats
 - ePub, PDF, MOBI, and More
 - 3d Paper Animal Head Template Compatibility with Devices
 - 3d Paper Animal Head Template Enhanced eBook Features
 7. Enhancing Your Reading Experience
 - Adjustable Fonts and Text Sizes of 3d Paper Animal Head Template
 - Highlighting and Note-Taking 3d Paper Animal Head Template
 - Interactive Elements 3d Paper Animal Head Template
 8. Staying Engaged with 3d Paper Animal Head Template
 - Joining Online Reading Communities
 - Participating in Virtual Book Clubs
 - Following Authors and Publishers 3d Paper Animal Head Template
 9. Balancing eBooks and Physical Books 3d Paper Animal Head Template
 - Benefits of a Digital Library
 - Creating a Diverse Reading Collection 3d Paper Animal Head Template
 10. Overcoming Reading Challenges
 - Dealing with Digital Eye Strain
 - Minimizing Distractions
 - Managing Screen Time
 11. Cultivating a Reading Routine 3d Paper Animal Head Template
 - Setting Reading Goals 3d Paper Animal Head Template
 - Carving Out Dedicated Reading Time
 12. Sourcing Reliable Information of 3d Paper Animal Head Template

- Fact-Checking eBook Content of 3d Paper Animal Head Template
 - Distinguishing Credible Sources
13. Promoting Lifelong Learning
- Utilizing eBooks for Skill Development
 - Exploring Educational eBooks
14. Embracing eBook Trends
- Integration of Multimedia Elements
 - Interactive and Gamified eBooks

3d Paper Animal Head Template Introduction

In the digital age, access to information has become easier than ever before. The ability to download 3d Paper Animal Head Template has revolutionized the way we consume written content. Whether you are a student looking for course material, an avid reader searching for your next favorite book, or a professional seeking research papers, the option to download 3d Paper Animal Head Template has opened up a world of possibilities. Downloading 3d Paper Animal Head Template provides numerous advantages over physical copies of books and documents. Firstly, it is incredibly convenient. Gone are the days of carrying around heavy textbooks or bulky folders filled with papers. With the click of a button, you can gain immediate access to valuable resources on any device. This convenience allows for efficient studying, researching, and reading on the go. Moreover, the cost-effective nature of downloading 3d Paper Animal Head Template has democratized knowledge. Traditional books and academic journals can be expensive, making it difficult for individuals with limited financial resources to access information. By offering free PDF downloads, publishers and authors are enabling a wider audience to benefit from their work. This inclusivity promotes equal opportunities for learning and personal growth. There are numerous websites and platforms where individuals can download 3d Paper Animal Head Template. These websites range from academic databases offering research papers and journals to online libraries with an expansive collection of books from various genres. Many authors and publishers also upload their work to specific websites, granting readers access to their content without any charge. These platforms not only provide access to existing literature but also serve as an excellent platform for undiscovered authors to share their work with the world. However, it is essential to be cautious while downloading 3d Paper Animal Head Template. Some websites may offer pirated or illegally obtained copies of copyrighted material. Engaging in such activities not only violates copyright laws but also undermines the efforts of authors, publishers, and researchers. To ensure ethical downloading, it is advisable to utilize reputable websites that prioritize the legal distribution of content. When downloading 3d Paper Animal Head Template, users should also consider the potential security risks associated with online

platforms. Malicious actors may exploit vulnerabilities in unprotected websites to distribute malware or steal personal information. To protect themselves, individuals should ensure their devices have reliable antivirus software installed and validate the legitimacy of the websites they are downloading from. In conclusion, the ability to download 3d Paper Animal Head Template has transformed the way we access information. With the convenience, cost-effectiveness, and accessibility it offers, free PDF downloads have become a popular choice for students, researchers, and book lovers worldwide. However, it is crucial to engage in ethical downloading practices and prioritize personal security when utilizing online platforms. By doing so, individuals can make the most of the vast array of free PDF resources available and embark on a journey of continuous learning and intellectual growth.

FAQs About 3d Paper Animal Head Template Books

What is a 3d Paper Animal Head Template PDF? A PDF (Portable Document Format) is a file format developed by Adobe that preserves the layout and formatting of a document, regardless of the software, hardware, or operating system used to view or print it. **How do I create a 3d Paper Animal Head Template PDF?** There are several ways to create a PDF: Use software like Adobe Acrobat, Microsoft Word, or Google Docs, which often have built-in PDF creation tools. Print to PDF: Many applications and operating systems have a "Print to PDF" option that allows you to save a document as a PDF file instead of printing it on paper. Online converters: There are various online tools that can convert different file types to PDF. **How do I edit a 3d Paper Animal Head Template PDF?** Editing a PDF can be done with software like Adobe Acrobat, which allows direct editing of text, images, and other elements within the PDF. Some free tools, like PDFescape or Smallpdf, also offer basic editing capabilities. **How do I convert a 3d Paper Animal Head Template PDF to another file format?** There are multiple ways to convert a PDF to another format: Use online converters like Smallpdf, Zamzar, or Adobe Acrobats export feature to convert PDFs to formats like Word, Excel, JPEG, etc. Software like Adobe Acrobat, Microsoft Word, or other PDF editors may have options to export or save PDFs in different formats. **How do I password-protect a 3d Paper Animal Head Template PDF?** Most PDF editing software allows you to add password protection. In Adobe Acrobat, for instance, you can go to "File" -> "Properties" -> "Security" to set a password to restrict access or editing capabilities. Are there any free alternatives to Adobe Acrobat for working with PDFs? Yes, there are many free alternatives for working with PDFs, such as: LibreOffice: Offers PDF editing features. PDFsam: Allows splitting, merging, and editing PDFs. Foxit Reader: Provides basic PDF viewing and editing capabilities. How do I compress a PDF file? You can use online tools like Smallpdf, ILovePDF, or desktop software like Adobe Acrobat to compress PDF files without significant quality loss. Compression reduces the file size, making it easier to share and download. Can I fill out forms in a PDF file? Yes, most PDF viewers/editors like Adobe

Acrobat, Preview (on Mac), or various online tools allow you to fill out forms in PDF files by selecting text fields and entering information. Are there any restrictions when working with PDFs? Some PDFs might have restrictions set by their creator, such as password protection, editing restrictions, or print restrictions. Breaking these restrictions might require specific software or tools, which may or may not be legal depending on the circumstances and local laws.

Find 3d Paper Animal Head Template :

~~parenting tips case study United States 36-223 parenting tips case study~~
36-780 digital marketing checklist for creators 36-2921 digital
roadmap for entrepreneurs 36-876 small business ideas software America
~~apps United States 36-2486 remote work best practices USA 36-1916 remote~~
step by step for startups 36-1571 YouTube growth strategies United
~~36-248 minimalist lifestyle tools for creators 36-2252 minimalist~~
for creators 36-481 mental wellness apps for small business 36-550
~~affiliate marketing review for startups 36-109 affiliate marketing~~
~~ideas guide America 36-16 small business ideas guide United States~~
for creators 36-1320 AI tools comparison USA 36-2877 AI tools comparison
~~entrepreneurs 36-1487 machine learning basics explained for creators~~
~~NFT marketplace comparison America 36-2372 NFT marketplace comparison~~
~~USA 36-98 freelancing online roadmap for startups 36-1164 freelancing~~
~~funding review America 36-1258 startup funding review for entrepreneurs~~
~~Instagram growth ideas USA 36-128 Instagram growth ideas USA 36-2705~~

3d Paper Animal Head Template :

the working retrievers the training care and hand pdf free - Sep 23 2021
web jason smith is an associate editor of retriever journal and pointing dog journal his expertise on dog training is easy to access in this book as he discusses the personality
the working retrievers the training care and hand pdf - Oct 25 2021
web may 28 2023 the training care and hand pdf is available in our digital library an online right of entry to it is set as public correspondingly you can download it instantly our

the working retrievers the classic book by tom quinn - Jan 08 2023

web covers every aspect of training dogs for hunting and field trials from the beginning to the most advanced levels the book also surveys the various retriever breeds labradors

the working retrievers the training care and hand pdf - Oct 05 2022

web jul 5 2023 the working retrievers the training care and hand 1 20 downloaded from uniport edu ng on july 5 2023 by guest the working retrievers the training care

the working retrievers the training care and hand - Nov 06 2022

web the working retrievers the training care and hand 1 the working retrievers the training care and hand this is likewise one of the factors by obtaining the soft

the working retrievers the training care and handling of - Dec 07 2022

web buy the working retrievers the training care and handling of retrievers for hunting and field trails by tom quinn online at alibris we have new and used copies available in 0

the working retrievers the training care and handling of - Jul 14 2023

web the working retrievers the training care and handling of retrievers for hunting and field trials quinn tom free download borrow and streaming internet archive

working retrievers the training care and handling of - Mar 30 2022

web working retrievers the training care and handling of retrievers for hunting and field trials tom quinn

the working retrievers the training care and hand richard - Mar 10 2023

web merely said the the working retrievers the training care and hand is universally compatible like any devices to read dog training for kids dog care dog behavior

the working retrievers the classic book for the training care - May 12 2023

web buy the working retrievers the classic book for the training care and handling of retrievers for hunting and field trials by quinn thomas isbn 9781558217676 from

the working retrievers the training care and handling of - Feb 09 2023

web abebooks com the working retrievers the training care and handling of retrievers for hunting and field trials some edgewear to dustjacket in this complete book on

the working retrievers the training care and hand - Sep 04 2022

web families with young children written in a friendly style by retriever owner nona kilgore bauer the 2nd edition of golden retrievers for dummies puts everything you need to

the working retrievers the training care and hand copy - Dec 27 2021

web aug 13 2023 the working retrievers the training care and hand as one of the most dynamic sellers here will extremely be along with the best options to review dog

pdf the working retrievers the training care and hand - Aug 15 2023

web the working retrievers the training care and hand who guidelines on hand hygiene in health care mar 07 2023 the who guidelines on hand hygiene in health care

the working retrievers the training care and hand pdf - Nov 25 2021

web apr 2 2023 the working retrievers tom quinn 1983 offers guidance on the selection of a retriever and explains how to train retrievers for hunting and competitions golden

the working retrievers the training care and hand copy - Apr 30 2022

web may 21 2023 on line this online declaration the working retrievers the training care and hand can be one of the options to accompany you gone having new time it will not

the working retrievers the training care and hand copy - Jun 01 2022

web aug 8 2023 the working retrievers the training care and hand 1 1 downloaded from uniport edu ng on august 8 2023 by guest the working retrievers the training care

working retrievers the training care and handling of - Feb 26 2022

web working retrievers the training care and handling of retrievers for hunting and field trials tom quinn knowing the spirit our mysterious guest the river of peace

the working retrievers the training care and hand pdf - Apr 11 2023

web mar 28 2023 the working retrievers the training care and hand 1 25 downloaded from uniport edu ng on march 28 2023 by guest the working retrievers the training care

7 best retriever training books that you should read inspire - Jan 28 2022

web aug 23 2020 the best retriever training books are dokken s retriever training free s training your retriever dahl s 10 minute retriever the reasons for them being the

the working retrievers the training care and hand pdf - Aug 03 2022

web the working retrievers the training care and hand 1 21 downloaded from uniport edu ng on september 7 2023 by guest the working retrievers the training care and hand

the working retrievers the classic book for the training care - Jun 13 2023

web oct 1 1998 the working retrievers the classic book for the training care and handling of retrievers for hunting and field trials quinn tom bodio stephen j on

the working retrievers the training care and hand 2022 - Jul 02 2022

web black labs black labrador retriever training think like a dog but don't eat your poop breed expert black labrador retriever training the working retrievers the training

b is for bedpost queen quartette kindle edition amazon in - Mar 11 2023

web select the department you want to search in

amazon.com customer reviews b is for bedpost queen quartette - May 13 2023

web find helpful customer reviews and review ratings for b is for bedpost queen quartette at amazon.com read honest and unbiased product reviews from our users

b is for bedpost queen quartette pdf - Dec 08 2022

web b is for bedpost queen quartette eventually you will categorically discover a supplementary experience and deed by spending more cash yet when get you take that you require to get those all needs subsequent to having significantly cash why don't you try to get something basic in the beginning that's something that will lead you to

apartments suites q apartments suites istanbul - Jan 29 2022

web two bedroom apartment with private kitchen features 2 bedrooms with double beds 160 x 180 cm 1 small private kitchen and 1 private bathroom with shower

b is for bedpost queen quartette english edition kindle edition - Sep 05 2022

web b is for bedpost queen quartette english edition ebook hart lena amazon.de kindle store

sadaret hotel suites istanbul best group hotels booking.com - Dec 28 2021

web sadaret hotel's 24-hour reception staff can take care of currency exchange and provide information about istanbul's main sights the sadaret hotel istanbul is located a 5-minute walk from the blue mosque the grand bazaar with its many souvenir shops is a 10-minute walk away istanbul airport is 34 mi away

b is for bedpost queen quartette by lena hart epub - Nov 07 2022

web jul 5 2023 b is for bedpost by lena hart queen quartette requirements epub reader 1 mb overview

b is for bedpost queen quartette full pdf - Jan 09 2023

web b is for bedpost queen quartette encyclopaedia londinensis documents and letters intended to illustrate the revolutionary incidents of queens county the english and scottish popular ballads documents and letters intended to illustrate the revolutionary incidents of queens county a copious and critical english latin dictionary b is for bedpost

b is for bedpost queen quartette kindle edition amazon.com.au - Jun 14 2023

web b is for bedpost queen quartette ebook hart lena amazon.com.au kindle store

b is for bedpost queen quartette 2022 dashboard skreens - Mar 31 2022

web queen sophie hartley her seductive dare the new international encyclopæia documents and letters intended to illustrate

the revolutionary incidents of queens county learned queen notes and queries b is for bedpost behind closed doors jcpenny catalog english basque dictionary the king s bedpost the english and scottish popular

b is for bedpost queen quartette english edition kindle ausgabe - Apr 12 2023

web b is for bedpost queen quartette english edition ebook hart lena amazon de kindle shop

b is for bedpost queen quartette pdf copy black ortax - Oct 06 2022

web title b is for bedpost queen quartette pdf copy black ortax org created date 9 6 2023 6 08 33 am

b is for bedpost queen quartette pdf betamedia testfakta - Feb 10 2023

web documents and letters intended to illustrate the revolutionary incidents of queens county queens and power in medieval and early modern england b is for bedpost escape from cold tower encyclopaedia londinensis notes and queries a medium of inter communication for literary men artists antiquaries genealogists etc

suites q apartments suites istanbul - Feb 27 2022

web deluxe suite with sea view is located on the top floor 5th floor apartment features 1 bedroom 1 living room and 1 bathroom the bedroom has marmara sea view and a large double size bed 180 x 190cm

b is for bedpost queen quartette pdf poczta builduk - Aug 04 2022

web b is for bedpost queen quartette 1 b is for bedpost queen quartette b is for bedpost queen quartette downloaded from poczta builduk org by guest karter kenyon best sellers books adult children of emotionally immature parents how to heal from distant rejecting or self involved parents by lindsay c gibson psyd oh

b is for bedpost queen quartette kindle edition amazon ca - Jun 02 2022

web hello sign in account lists returns orders cart

b is for bedpost queen quartette kindle edition amazon com - Aug 16 2023

web feb 19 2015 b is for bedpost queen quartette kindle edition by hart lena download it once and read it on your kindle device pc phones or tablets use features like bookmarks note taking and highlighting while reading b is for bedpost queen quartette

b is for bedpost queen quartette english edition versión kindle - Jul 03 2022

web lee ahora en digital con la aplicación gratuita kindle

b is for bedpost queen quartette book by lena hart thriftbooks - May 01 2022

web buy a cheap copy of b is for bedpost queen quartette book by lena hart free shipping over 10

b is for bedpost anna s archive - Jul 15 2023

web eng mobilism 1481763 fiction erotic b is for bedpost queen quartette by lena hart bi4blh b is for bedpost queen quartet lena hart epub

[nature inspired meta heuristic optimization algorithms](#) - Nov 14 2021

web oct 7 2015 despite the popularity of nature inspired algorithms many challenges remain which require further research efforts the contributions presented in this special

[nature inspired optimization algorithms guide books acm](#) - Aug 24 2022

web jun 18 2020 nature inspired optimization algorithms a comprehensive work on the most popular optimization algorithms based on nature starts with an overview of

nature inspired optimization algorithms 1st edition - Jun 02 2023

web feb 8 2021 here we classify the nature inspired algorithms as natural evolution based swarm intelligence based biological based science based and others in this survey

indigo ca - Aug 12 2021

web nov 3 2023 a new human based metaheuristic algorithm for solving optimization problems on the base of simulation of driving training process human inspired

[nature inspired optimization algorithms past to present](#) - Apr 19 2022

web may 20 2021 nature inspired algorithm plays a very vibrant role in solving the different optimization problems these days the fundamental attitude of naturalistic approaches

nature inspired optimization algorithms sciencedirect - Sep 05 2023

each problem is unique and need to be mapped into algorithmic framework before it can be solved in this section an example problem is mapped into gsa see more

introduction to nature inspired optimization sciencedirect - Feb 15 2022

web may 9 2019 nature inspired algorithms xin she yang xing shi he chapter first online 09 may 2019 1078 accesses 3 citations part of the springerbriefs in

lord rama devotees algorithm a new human inspired - Sep 12 2021

web dec 3 2022 from the past few decades many nature inspired algorithms have been developed and gaining more popularity because of their effectiveness in solving

nature inspired optimization algorithms geeksforgeeks - Nov 26 2022

web sep 9 2020 nature inspired optimization algorithms second edition provides an introduction to all major nature inspired algorithms for optimization the book s

nature inspired optimization algorithms a comprehensive - Oct 06 2023

as mentioned in the previous section gsa is a population based stochastic algorithm and is inspired from the laws of gravitation it starts by assigning initial random positions to search agents each agent is characterized by its position and

mass active gravitational mass passive gravitational mass or inertial see more

[nature inspired optimization algorithms vasuki a taylor](#) - Sep 24 2022

web mar 1 2014 abstract nature inspired optimization algorithms provides a systematic introduction to all major nature inspired algorithms for optimization the book s

nature inspired optimization algorithms for different springer - May 21 2022

web dec 19 2021 there are a few algorithms however that do not fall in any of these categories e g gravitational search harmony search etc the principal aim of this

pdf nature inspired optimization algorithms researchgate - Oct 26 2022

web feb 3 2020 some of the popular examples of nature inspired optimization algorithms include genetic algorithm particle swarm optimization cuckoo search algorithm ant

25 years of particle swarm optimization flourishing voyage - Oct 14 2021

web mar 7 2020 nature is an incredible and gigantic wellspring of inspiration for taking care of intense and complex issues in software engineering since it shows very shifted dynamic

2102 04013 nature inspired optimization algorithms research - Aug 04 2023

to understand how the mapped problem is solved by gsa the results of various steps of the algorithm are given below for one iteration optimization problem see more

nature inspired algorithms springerlink - Mar 19 2022

web nov 15 2022 nature inspired optimization algorithms nioas are bio inspired computational intelligence techniques gives an enormous drive for solving many complex

[nature inspired optimization algorithms 1st edition elsevier](#) - Jul 23 2022

web nature inspired optimization algorithms provides a systematic introduction to all major nature inspired algorithms for optimization the book s unified approach balancing

nature inspired optimization algorithms google books - Jan 17 2022

web nature inspired algorithms emulate processes that are found in the natural world spurring interest for optimization lindfield penny provide concise coverage to all the

nature inspired optimization algorithms challenges and - Feb 27 2023

web feb 21 2022 nature inspired optimization algorithms and their significance in multi thresholding image segmentation an inclusive review rebika rai arunita das krishna

nature inspired optimization algorithms and their springer - Mar 31 2023

web aug 24 2020 most of nature inspired intelligent nii algorithms are in fact intelligent meta heuristic optimization

methods the main advantage of meta heuristics compared

nature inspired optimization algorithms 2nd edition elsevier - Dec 28 2022

web aug 22 2023 nature inspired algorithms are a class of metaheuristic algorithms for optimization and some algorithms or variants are often developed by hybridization

nature inspired optimization algorithms sciencedirect - Jul 03 2023

web nature inspired optimization algorithms provides a systematic introduction to all major nature inspired algorithms for optimization the book s unified approach balancing

[nature inspired algorithms for real world optimization problems](#) - Dec 16 2021

web feb 17 2014 nature inspired optimization algorithms provides a systematic introduction to all major nature inspired algorithms for optimization the book s

nature inspired algorithms in optimization introduction - Jan 29 2023

web oct 1 2020 nature inspired optimization algorithms 2 1 procedure based algorithms though the genetic algorithm ga can have quite rigorous mathematical analyses 3

algorithms special issue nature inspired optimization - Jun 21 2022

web feb 17 2014 nature inspired optimization algorithms provides a systematic introduction to all major nature inspired algorithms for optimization

nature inspired optimization algorithms or simply - May 01 2023

web nature inspired algorithms can be good alternatives and they are flexible and efficient for solving problems in optimization data mining and machine learning this chapter