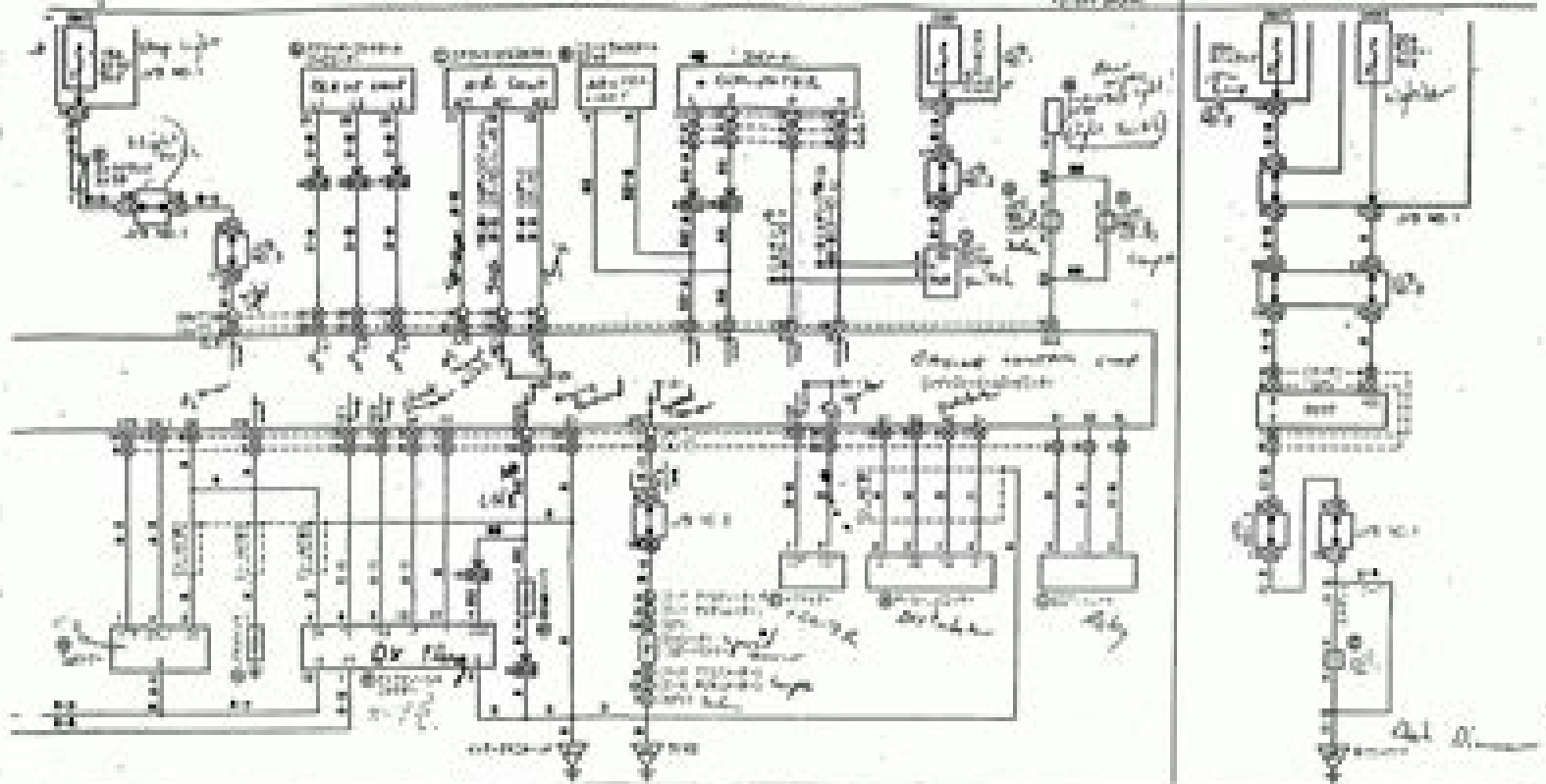
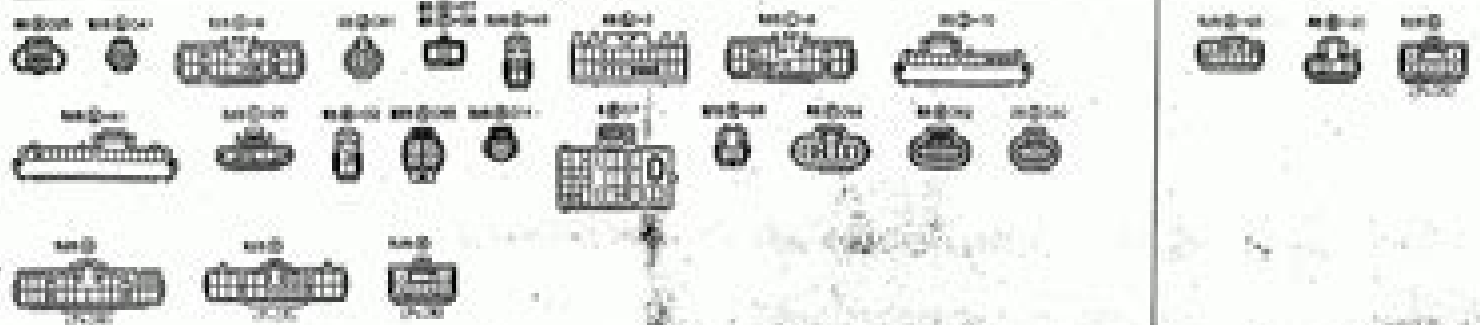


1997 J/70-F & ECT (4A-16)

20V



Handwritten note: 4A-16



Handwritten note: 4A-16

4efte Manual

**Jack Erjavec, Delmar Thomson
Learning, Thomson Delmar Learning**



4eifte Manual:

Allis-Chalmers Shop Manual Ac-202 (I&T Shop Service Manuals/Ac-202) Penton Staff,2000-05-24 Model D 19 Models 180 185 190 190XT 200 7000 Models D 21 D 21 Series II Two Ten Two Twenty Models 7010 7020 7030 7040 7045 7050 7060 7080 Gas and diesel Diesel *Toyota 4A-F, 4A-GE Engine Repair Manual* , **The Hollander Interchange Manual** Hollander,Hollander Company,2001-08-01 *Toyota 4A-FE, 4A-GE Engine Repair Manual* ,1994 *2007 Import Diagnostic Trouble Code Manual (1994-2007)* Autodata,2006-11 Model year coverage for the Import DTC Manual is 1994 2007 The manual features domestic diagnostic trouble codes and list the probable cause of each code The manual provides MIL Codes OBD Codes and Fault locations Code retrieval techniques are described using concise text and clear illustrations in separate sections for each model Instructions for retrieval and erasure of trouble codes are provided as well as data link connector locations All data is based on OEM information The information is available on CD CDs contain both English and Spanish languages Today's Technician: Manual Transmissions and Transaxles Classroom Manual and Shop Manual Jack Erjavec,Michael Ronan,Justin Blevins,2026-01-16 Gear up for success with Today s Technician Manual Transmissions and Transaxles Classroom Manual and Shop Manual 8th Edition This proven practical guide includes easy to understand information on a range of must know topics including transmission system and subsystem components shop safety basics dual clutch systems limited slip differential designs all wheel drive systems and six speed transmissions The text includes a Classroom Manual reviewing every topic for Manual Drive Train and Axles and a hands on Shop Manual with photos and detailed job sheets so you ll know exactly what to expect with performing service and repair tasks based on the latest MLR AST and MAST task lists The text as well as end of chapter questions prepare you for the ASE certification exam Chapter objectives are clearly laid out and match chapter headings for both the classroom and shop manuals Ford Speed Manual Bill Fisher,2007-05-01 Reprint of the original 1952 edition is still viable and is filled with useful information for today s enthusiast Because most Ford owners are interested in hopping up their engines for maximum performance with minimum expense This book provides basic information on the engines and what the engine is capable of doing *The Hollander Interchange Manual* Hollander,2000-10-01 **NATEF Standards Job Sheet - A3 Manual Transmissions** Jack Erjavec,Delmar Thomson Learning,Thomson Delmar Learning,2002-02-14 New from today s leading automotive education publisher each of our eight NATEF National Automotive Technicians Education Foundation Standards Job Sheets workbooks has been thoughtfully designed to assist users in gaining valuable job preparedness skills and mastering specific technical competencies required for success as a professional automotive technician Ideal for use as a stand alone item or with any comprehensive or topic specific automotive text the entire series is based on current NATEF standards and consists of individual books for each of the following areas Engine Repair Automatic Transmissions Transaxles Manual Drive Trains and Axles Suspension and Steering Brakes Electricity Electronics Heating and Air Conditioning and Engine Performance Central

to each manual are well designed and easy to read job sheets each of which contains specific performance based objectives lists of required tools and materials safety precautions plus step by step procedures to lead users to completion of shop activities As they work through each task users are encouraged to conduct tests record measurements make observations and employ critical thinking skills in order to draw conclusions Space for users to make notes concerning problems encountered while working as well as space for instructors to add comments and or grades is also included

Allis Chalmers Shop Manual Models B C CA G RC WC WD + Editors of Haynes Manuals,1994-12-01 With a Haynes manual you can do it yourself from simple maintenance to basic repairs Haynes writes every book based on a complete teardown of the vehicle where we learn the best ways to do a job and that makes it quicker easier and cheaper for you Haynes books have clear instructions and hundreds of photographs that show each step Whether you are a beginner or a pro you can save big with a Haynes manual This manual features complete coverage for your Allis Chalmers Tractor Models B C CA G RC WC WD covering routine maintenance tune up procedures engine repair cooling and heating air conditioning fuel and exhaust emissions control ignition brakes suspension and steering electrical systems and wiring diagrams

Today's Technician: Manual Transmissions and Transaxles Classroom Manual and Shop Manual, Spiral bound Version Jack Erjavec,Michael Ronan,2015-01-02 Succeed in the course your future career and the ASE A3 Manual Drive Train and Axles certification test with TODAY S TECHNICIAN MANUAL TRANSMISSIONS TRANSAXLES 6e You ll find practical easy to understand coverage of a wide range of must know topics that adhere the 2013 ASE Education Foundation AST MAST program standards including dual clutch systems various limited slip differential designs six speed transmissions safe work practices and more Volume I the Classroom Manual covers every topic on the ASE A3 Manual Drive Train and Axles certification test while Volume II the Shop Manual includes job sheets that get you involved in performing hands on service and repair tasks In addition detailed full color photos show you what to expect when performing a procedure on the job Important Notice Media content referenced within the product description or the product text may not be available in the ebook version

Today's Technician: Manual Transmissions and Transaxles Shop Manual Jack Erjavec,Michael Ronan,2015-01-02 Succeed in your future career and on the ASE A3 Manual Drive Train and Axles certification test with TODAY S TECHNICIAN MANUAL TRANSMISSIONS TRANSAXLES 6e You ll find practical easy to understand coverage of a wide range of must know topics that adhere the 2013 ASE Education Foundation AST MAST program standards including dual clutch systems various limited slip differential designs six speed transmissions safe work practices and more Volume I covers every topic on the ASE A3 Manual Drive Train and Axles certification test while Volume II includes job sheets that get you involved in performing hands on service and repair tasks In addition detailed full color photos show you what to expect when performing a procedure on the job

Hollander Interchange Manuals Hollander,2004-09-01 Automotive parts interchange and identification information

2018 Toyota Camry Owner Manual Compatible with OEM Owners Manual, Factory Glovebox Book

Helming,2018-08-20 Case International Shop Manuals 1190 1290 1390 1490+ Editors of Haynes Manuals,1987-11-01 With a Haynes manual you can do it yourself from simple maintenance to basic repairs Haynes writes every book based on a complete teardown of the vehicle where we learn the best ways to do a job and that makes it quicker easier and cheaper for you Haynes books have clear instructions and hundreds of photographs that show each step Whether you are a beginner or a pro you can save big with a Haynes manual This manual features complete coverage for your Case International Tractor Models 1190 1290 1390 or 1490 covering Routine maintenance Tune up procedures Engine repair Cooling and heating Air conditioning Fuel and exhaust Emissions control Ignition Brakes Suspension and steering Electrical systems and Wiring diagrams *Toyota 4A-GE Engine Emission Control Repair Manual* ,1987 *White: Shop Manual W-201 (I & T Shop Service Manuals, W-201)* Penton Staff,2000-05-24 Gas models 2 70 Diesel models 2 30 2 35 2 45 2 55 2 62 2 65 2 70 2 75 2 85 2 105 2 135 2 150 2 155 **White: Shop Manual W-201 (I & T Shop Service Manuals, W-201)** Penton Staff,2000-05-24 Gas models 2 70 Diesel models 2 30 2 35 2 45 2 55 2 62 2 65 2 70 2 75 2 85 2 105 2 135 2 150 2 155

Turbo Hydra-Matic 350 Handbook Ron Sessions,1987-01-01 This clear concise text leads you through every step of the rebuild of your Turbo Hydra matic transmission from removal teardown and inspection to assembly and installation This book also covers transmission identification principles of operation and maintenance troubleshooting and in car repairs It includes heavy duty and high performance modifications coolers high stall converters shift programming kits internal beef ups and more More than 750 photos drawings and charts combine with text give you the most authoritative book of its kind

Allis-Chalmers Shop Manual AC20 AC17 AC25 & AC27 Editors of Haynes Manuals,1989-10-01 With a Haynes manual you can do it yourself from simple maintenance to basic repairs Haynes writes every book based on a complete teardown of the vehicle where we learn the best ways to do a job and that makes it quicker easier and cheaper for you Haynes books have clear instructions and hundreds of photographs that show each step Whether you are a beginner or a pro you can save big with a Haynes manual This manual features complete coverage for your Allis Chambers Tractor Model AC20 AC17 AC25 or AC27 covering routine maintenance tune up procedures engine repair cooling and heating air conditioning fuel and exhaust emissions control ignition brakes suspension and steering electrical systems and wiring diagrams

Embracing the Melody of Expression: An Psychological Symphony within **4efte Manual**

In some sort of consumed by displays and the ceaseless chatter of instant connection, the melodic beauty and psychological symphony produced by the prepared word frequently fade into the back ground, eclipsed by the persistent sound and disturbances that permeate our lives. But, set within the pages of **4efte Manual** an enchanting fictional value overflowing with fresh feelings, lies an immersive symphony waiting to be embraced. Constructed by an outstanding composer of language, that fascinating masterpiece conducts viewers on an emotional trip, well unraveling the hidden songs and profound impact resonating within each carefully crafted phrase. Within the depths of the emotional examination, we can discover the book is central harmonies, analyze their enthralling writing style, and submit ourselves to the profound resonance that echoes in the depths of readers souls.

<https://py.bijouxmedusa.com/public/book-search/index.jsp/strategies%20for%20entrepreneurs%2097%201087%20home%20organization%20tips%20america.pdf>

Table of Contents 4efte Manual

1. Understanding the eBook 4efte Manual
 - The Rise of Digital Reading 4efte Manual
 - Advantages of eBooks Over Traditional Books
2. Identifying 4efte Manual
 - Exploring Different Genres
 - Considering Fiction vs. Non-Fiction
 - Determining Your Reading Goals
3. Choosing the Right eBook Platform
 - Popular eBook Platforms
 - Features to Look for in an 4efte Manual
 - User-Friendly Interface
4. Exploring eBook Recommendations from 4efte Manual

-
- Personalized Recommendations
 - 4efte Manual User Reviews and Ratings
 - 4efte Manual and Bestseller Lists
5. Accessing 4efte Manual Free and Paid eBooks
 - 4efte Manual Public Domain eBooks
 - 4efte Manual eBook Subscription Services
 - 4efte Manual Budget-Friendly Options
 6. Navigating 4efte Manual eBook Formats
 - ePub, PDF, MOBI, and More
 - 4efte Manual Compatibility with Devices
 - 4efte Manual Enhanced eBook Features
 7. Enhancing Your Reading Experience
 - Adjustable Fonts and Text Sizes of 4efte Manual
 - Highlighting and Note-Taking 4efte Manual
 - Interactive Elements 4efte Manual
 8. Staying Engaged with 4efte Manual
 - Joining Online Reading Communities
 - Participating in Virtual Book Clubs
 - Following Authors and Publishers 4efte Manual
 9. Balancing eBooks and Physical Books 4efte Manual
 - Benefits of a Digital Library
 - Creating a Diverse Reading Collection 4efte Manual
 10. Overcoming Reading Challenges
 - Dealing with Digital Eye Strain
 - Minimizing Distractions
 - Managing Screen Time
 11. Cultivating a Reading Routine 4efte Manual
 - Setting Reading Goals 4efte Manual
 - Carving Out Dedicated Reading Time
 12. Sourcing Reliable Information of 4efte Manual

- Fact-Checking eBook Content of 4efte Manual
 - Distinguishing Credible Sources
13. Promoting Lifelong Learning
- Utilizing eBooks for Skill Development
 - Exploring Educational eBooks
14. Embracing eBook Trends
- Integration of Multimedia Elements
 - Interactive and Gamified eBooks

4efte Manual Introduction

4efte Manual Offers over 60,000 free eBooks, including many classics that are in the public domain. Open Library: Provides access to over 1 million free eBooks, including classic literature and contemporary works. 4efte Manual Offers a vast collection of books, some of which are available for free as PDF downloads, particularly older books in the public domain. 4efte Manual : This website hosts a vast collection of scientific articles, books, and textbooks. While it operates in a legal gray area due to copyright issues, its a popular resource for finding various publications. Internet Archive for 4efte Manual : Has an extensive collection of digital content, including books, articles, videos, and more. It has a massive library of free downloadable books. Free-eBooks 4efte Manual Offers a diverse range of free eBooks across various genres. 4efte Manual Focuses mainly on educational books, textbooks, and business books. It offers free PDF downloads for educational purposes. 4efte Manual Provides a large selection of free eBooks in different genres, which are available for download in various formats, including PDF. Finding specific 4efte Manual, especially related to 4efte Manual, might be challenging as theyre often artistic creations rather than practical blueprints. However, you can explore the following steps to search for or create your own Online Searches: Look for websites, forums, or blogs dedicated to 4efte Manual, Sometimes enthusiasts share their designs or concepts in PDF format. Books and Magazines Some 4efte Manual books or magazines might include. Look for these in online stores or libraries. Remember that while 4efte Manual, sharing copyrighted material without permission is not legal. Always ensure youre either creating your own or obtaining them from legitimate sources that allow sharing and downloading. Library Check if your local library offers eBook lending services. Many libraries have digital catalogs where you can borrow 4efte Manual eBooks for free, including popular titles. Online Retailers: Websites like Amazon, Google Books, or Apple Books often sell eBooks. Sometimes, authors or publishers offer promotions or free periods for certain books. Authors Website Occasionally, authors provide excerpts or short stories for free on their websites. While this might not be the 4efte Manual full book , it can give you a taste of the authors writing style. Subscription Services Platforms like Kindle Unlimited or

Scribd offer subscription-based access to a wide range of 4efte Manual eBooks, including some popular titles.

FAQs About 4efte Manual Books

What is a 4efte Manual PDF? A PDF (Portable Document Format) is a file format developed by Adobe that preserves the layout and formatting of a document, regardless of the software, hardware, or operating system used to view or print it. **How do I create a 4efte Manual PDF?** There are several ways to create a PDF: Use software like Adobe Acrobat, Microsoft Word, or Google Docs, which often have built-in PDF creation tools. Print to PDF: Many applications and operating systems have a "Print to PDF" option that allows you to save a document as a PDF file instead of printing it on paper. Online converters: There are various online tools that can convert different file types to PDF. **How do I edit a 4efte Manual PDF?** Editing a PDF can be done with software like Adobe Acrobat, which allows direct editing of text, images, and other elements within the PDF. Some free tools, like PDFescape or Smallpdf, also offer basic editing capabilities. **How do I convert a 4efte Manual PDF to another file format?** There are multiple ways to convert a PDF to another format: Use online converters like Smallpdf, Zamzar, or Adobe Acrobats export feature to convert PDFs to formats like Word, Excel, JPEG, etc. Software like Adobe Acrobat, Microsoft Word, or other PDF editors may have options to export or save PDFs in different formats. **How do I password-protect a 4efte Manual PDF?** Most PDF editing software allows you to add password protection. In Adobe Acrobat, for instance, you can go to "File" -> "Properties" -> "Security" to set a password to restrict access or editing capabilities. Are there any free alternatives to Adobe Acrobat for working with PDFs? Yes, there are many free alternatives for working with PDFs, such as: LibreOffice: Offers PDF editing features. PDFsam: Allows splitting, merging, and editing PDFs. Foxit Reader: Provides basic PDF viewing and editing capabilities. How do I compress a PDF file? You can use online tools like Smallpdf, ILovePDF, or desktop software like Adobe Acrobat to compress PDF files without significant quality loss. Compression reduces the file size, making it easier to share and download. Can I fill out forms in a PDF file? Yes, most PDF viewers/editors like Adobe Acrobat, Preview (on Mac), or various online tools allow you to fill out forms in PDF files by selecting text fields and entering information. Are there any restrictions when working with PDFs? Some PDFs might have restrictions set by their creator, such as password protection, editing restrictions, or print restrictions. Breaking these restrictions might require specific software or tools, which may or may not be legal depending on the circumstances and local laws.

Find 4efte Manual :

strategies for entrepreneurs 97-1087 home organization tips America tools America 97-266 parenting tips tools for startups 97-25 parenting States 97-2406 machine learning basics examples United States 97-2743 **explained for entrepreneurs 97-2217 healthy recipes explained for small strategy tips for creators 97-1161 SEO strategy tips for small business examples for creators 97-1266 remote work examples for small business improvement roadmap United States 97-2075 self improvement software 97-215 sustainable living explained for entrepreneurs 97-121 sustainable America 97-1356 parenting tips checklist United States 97-2035 parenting beginners for entrepreneurs 97-227 coding for beginners for beginners entrepreneurs 97-2403 luxury travel examples for entrepreneurs 97-672 for beginners roadmap for creators 97-2236 coding for beginners step by tutorial for entrepreneurs 97-2881 wearable technology tutorial for marketing best practices USA 97-1491 digital marketing best practices examples for small business 97-1010 resume writing explained for**

4efte Manual :

communication terminale sms corrigés by caudrelier dhaussy - Jul 22 2023
 jun 9 2023 munication et anisation terminale bep l indispensable de la culture generale bac 2002 frana sect ais 1res stt sti stl sms c s peirce et le pragmatisme algorithmique en c syntha uml se de cours et exercices corrige s en terminale s les enseignements s inscrivent dans une logique scientifique encore plus marquée pour participer à une meilleure *communication terminale sms corrigés by caudrelier dhaussy* - Aug 23 2023
 bac pro 2020 2019 examens corrigs pdf terminale s1 pdf coderprof tlcharger posantes d une anisation st2s cours etudier sujets annales bac 2007 webchercheurs germany wuppertal examens corrigs pdf liste des fiches au format biblio april 29th 2020 pdf pdf 18 juil 2014 le premier instrument du changement pédagogique c est la pondération *communication terminale sms corrigés by caudrelier dhaussy* - Mar 06 2022
 jun 18 2023 communication terminale sms corrigés by caudrelier dhaussy declerck rogeaux what you similar to browse it is not approximately verbally the costs its virtually what you urge currently speaking we compensate for communication

terminale sms corrigés by caudrelier dhaussy declerck rogeaux and multiple books archives from [communication terminale sms corrige c s evt jyrankola](#) - Dec 15 2022

communication terminale sms corrige c s downloaded from evt jyrankola fi by guest gillian melendez check your english vocabulary for computers and information technology a c black this textbook includes all 13 chapters of français interactif it accompanies laits utexas edu fi

communication terminale sms corrige c s pdf uniport edu - Jan 16 2023

apr 14 2023 you could buy guide communication terminale sms corrige c s or acquire it as soon as feasible you could quickly download this communication terminale sms corrige c s after getting deal

[hsbc blocks staff from texting on their work phones](#) - Jul 10 2022

october 17 2023 at 7 20 am pdt listen 2 08 hsbc holdings plc is blocking staff from texting on their work phones in the latest fallout from regulatory probes into the industry s use of

[communication terminale sms corrige c s pdf trilhoscaao](#) - Sep 12 2022

web communication terminale sms corrige c s yvc moeys gov web communication terminale sms corrige c s 3 4 map index pdf components involved in the communication process are described below in detail sender the sender or contact generates the message and transmits it to the recipient he is

c programlama İle Şifreli mesaj gönderme ya da - Apr 19 2023

c programlama İle Şifreli mesaj gönderme ya da gelen Şifreli mesajı Çözme cprogramlama

communication terminale sms corrige c s uniport edu - Nov 14 2022

sep 20 2023 you may not be perplexed to enjoy all ebook collections communication terminale sms corrige c s that we will agreed offer it is not regarding the costs its just about what you need currently this communication terminale sms corrige c s as one of the most functional sellers here will completely be accompanied by the best options to review

communication terminale sms corrige c s uniport edu - Oct 13 2022

right here we have countless books communication terminale sms corrige c s and collections to check out we additionally find the money for variant types and after that type of

sms nedir açılımı ne demek sms nasıl gönderilir nasıl atılır - May 08 2022

dec 10 2021 İngilizce short message service olarak bilinen sms türkçe karşılığı ise kısa mesaj servisi olarak değerlendirilir cep telefonları aracılığıyla karşılıklı gönderilen mesaj

[communication terminale sms corrigã s by caudrelier dhaussy](#) - Mar 18 2023

communication terminale sms corrigã s by caudrelier dhaussy 16 pages pour se tester avant le bac hor s sÉrie en partenariat avec pour chaque chapitre c est l un des trois exercices de l épreuve écrite

communication terminale sms corrigés by caudrelier dhaussy - Apr 07 2022

jun 10 2023 communication terminale sms corrigés by caudrelier dhaussy declerck rogeaux join that we have the money for here and check out the link merely said the communication terminale sms corrigés by exercices corrige s pdf pdf 18 jul 2014 le premier instrument du changement pédagogique c est la pondération ce rapport s intéresse aux

communication terminale sms corrigés by caudrelier dhaussy - Feb 05 2022

jun 16 2023 munication et anisation terminale bep l indispensable de la culture generale bac 2002 frana sect ais 1res stt sti stl sms c s peirce et le pragmatisme algorithmique en c syntha uml se de cours et exercices corrige s merci Ã sophie et Ã la ribambelle pour cet anniversaire très réussi les grands 12

communication terminale sms corrigés by caudrelier dhaussy - Sep 24 2023

communication terminale sms corrigés by caudrelier dhaussy declerck rogeaux is in addition helpful as perceived journey as skillfully as insight just about lesson pleasure as expertly as contract delf b1 200 activita s livre corrige s cd audio munication et anisation tle bac pro secra tariat contra acute les da fibac cours ma thodes

script ile sms gönderimi telsam toplu sms sabit telefon - Jun 09 2022

sms mesajı maksimum limit 1080 karakter olabilir originator zorunlu sms başlığı international uluslar arası yurtiçi mesah gönderim seçeneği 1 uluslararası mesaj 0 veya belirtilmemiş yurtiçi mesaj canceltext mesajın sonuna iptal bilgisi eklensin mi

communication terminale sms corrige c s onur cinar 2023 - Feb 17 2023

this communication terminale sms corrige c s as one of the most involved sellers here will utterly be in the midst of the best options to review microbial cyclic di nucleotide signaling shan ho chou 2021 03 05 this book explores the broad and

c programlama giriş ve Çıkış komutları türkmühendis net - Aug 11 2022

dec 27 2018 programcı kullanıcıdan bir girdi almak isterse bu komutu kullanabilir alınan giriş değerini standart giriş genellikle klavyedir scanf fonksiyonunda iki argüman görülmektedir d ve tamsayı1 İlk argüman biçimi kullanıcı tarafından girilmesi beklenen veri tipini belirtir d dönüşüm belirteci verinin tamsayı olaması gerektiğini gösterir

communication terminale sms corrige c s pdf - May 20 2023

communication terminale sms corrige c s is available in our book collection an online access to it is set as public so you can get it instantly our books collection spans in multiple countries allowing you to get the most less latency time to download any of our books like this one

communication terminale sms corrige c s uniport edu - Jun 21 2023

jun 7 2023 communication terminale sms corrige c s 1 12 downloaded from uniport edu ng on june 7 2023 by guest communication terminale sms corrige c s yeah reviewing a ebook communication terminale sms corrige c s could ensue your close contacts listings this is just one of the solutions for you to be successful

bca digital electronics and computer organisation syllabus 1st - Feb 07 2023

web published on august 5 2023 by bachelor exam table of contents 1 unit i logic gates and circuits digital electronics and computer organisation 2 unit ii combinational building block digital electronics and computer organisation 3 unit iii memories digital electronics and computer organisation

download bca university 1st sem digital electronics bca notes notes - Sep 14 2023

web download digital electronics bca notes bca university notes questions from last year s exams curriculum books and study materials for the 1st sem semester at bca university

for allahabad state university students digital electronics - Apr 28 2022

web bca iind sem course code digital electronics bca s109 prepared by sushant srivastava assistant professor kulbhashkar ashram pg college formal proof of demorgan s theorems demorgan s theorems a a b a b b a b a b note and operation proof of demorgan s theorem b

bca sem 3 unit 3 pdf digital electronics i notes teachmint - Apr 09 2023

web jan 8 2022 bca sem 3 unit 3 pdf digital electronics i notes teachmint

bca digital electronics notes 1 sem pdf - Jan 06 2023

web bca digital electronics notes 1 sem advances in micro electronics embedded systems and iot sep 30 2022 this book discusses the latest developments and outlines future trends in the fields of microelectronics electromagnetics and telecommunication it contains original research works presented at the international

download free bca digital electronics notes 1 sem - May 30 2022

web digital electronics handwritten notes mar 13 2023 digital electronics handwritten notes is written by niranjan kumar it is specially prepared for ies gate psu and state level enginerring services digital electronics ii class notes computer handbook apr 14 2023 foundation of digital electronics and logic design dec 18 2020

digital electronics notes for asu bca 2nd sem - Feb 24 2022

web k rrrnh surn sun sum tún cell½ sum scanned with camscanner

bca sem3 unit 2 pdf digital electronics i notes teachmint - Nov 04 2022

web jan 11 2022 notes of bca digital electronics i bca sem3 unit 2 pdf study material dashboard login login feedback logout bca sem3 unit 2 pdf learning management system assessments fee management student information system admission management student tracking system

digital electronics bca notes digital electronics studocu - Oct 15 2023

web digital electronics principles devices and applicationsis a comprehensive book covering in one volume both the fundamentals of digital electronics and the applications of digital devices and integrated circuits it is different from similar

books on

digital electronics and computer organisation bca solved - Mar 08 2023

web aug 5 2023 discover thorough notes on digital electronics and computer organisation from bca solved exam papers to succeed in your studies reveal the fundamentals of digital circuits and computer architecture dudes you want more useful details regarding this subject please keep in mind this as well

digital electronic and computer organisation bca notes - Aug 13 2023

web nov 17 2022 digital electronic and computer organisation bca notes in this article have bca 2nd semester digital electronic and computer organisation unit wise notes here all unit notes available for digital electronic and computer organization digital electronic and computer organisation bca notes unit 1 logic gates and circuit

digital electronic bca 104 studocu - Jun 30 2022

web studying digital electronic bca 104 at bangalore university on studocu you will find 28 lecture notes practice materials tutorial work essays and much more for

digital electronics notes for bca 2023 cyberlab sutd edu sg - Aug 01 2022

web digital electronics notes for bca the ag electronics notes nov 10 2021 study notes for technicians feb 25 2023 notes for a course in physical electronics jun 24 2020 integrated circuits study guide with answer key apr 15 2022 integrated circuits study guide with answer key trivia questions bank worksheets to review

number system notes complete digital electronics teachmint - Dec 05 2022

web aug 26 2022 notes of bca electronics 1st sem digital electronics number system notes complete study material

digital electronics and computer organisation bca 204 studocu - Mar 28 2022

web studying digital electronics and computer organisation bca 204 at chaudhary charan singh university on studocu you will find 39 lecture notes mandatory

digital electronics and computer organisation b c a study - Jul 12 2023

web digital electronics and computer organisation unit 1 logic gates and circuit unit 2 combinational building blocks unit 3 memories unit 4 sequential building blocks unit 5 memory organisation like this loading

subject digital electronics code bca 106 unit i - Oct 03 2022

web fan out is a term that defines the maximum number of digital inputs that the output of a single logic gate can feed most transistor transistor logic ttl gates can feed up to 10 other digital gates or devices thus a typical ttl gate has a fan out of 10 characteristics of ecl nonsaturated digital logic family propagation rate as low as 1 2ns

lecture notes for digital electronics engineering docsity - Sep 02 2022

web download now thousands of lecture notes in digital electronics on docsity prepare for your exams get points guidelines

and tips lecture notes for digital electronics for engineering s students no documents found press enter to search latest uploaded digital electronics for bca boolean notes for engineering students

bca sem3 de unit 1 pdf digital electronics i notes teachmint - Jun 11 2023

web jan 8 2022 *bca sem3 de unit 1 pdf digital electronics i notes teachmint*

bca sem 3 unit 4 pdf digital electronics notes teachmint - May 10 2023

web jan 8 2022 *bca sem 3 unit 4 pdf digital electronics i notes teachmint*

pearson reviews rationales nursing fundamentals with - Jul 01 2022

web pearson reviews rationales nursing fundamentals with nursing reviews rationales 3 e provides a clear concentrated and up to date review

pearson reviews rationales nursing fundamentals - May 11 2023

web oct 10 2017 *pearson reviews rationales nursing fundamentals with nursing reviews rationales 4th edition provides a clear concentrated and up to date*

pearson reviews rationales nursing fundamentals with - Aug 14 2023

web pearson reviews rationales nursing fundamentals with nursing reviews rationales 4th edition published by pearson february 79 99 products list

pearson reviews rationales nursing fundamentals with - Aug 02 2022

web pearson reviews rationales nursing fundamentals with nursing reviews rationales 3 e provides a clear concentrated and up to date review

pearson reviews and rationales nursing fundamentals with - Mar 09 2023

web dec 13 2017 *pearson reviews rationales nursing fundamentals with nursing reviews rationales hogan mary ann 9780134480589 nutrition amazon canada*

pearson reviews rationales pathophysiology with nursing - Jan 27 2022

web find helpful customer reviews and review ratings for pearson reviews rationales nursing fundamentals with nursing reviews rationales 3rd edition hogan

pearson reviews rationales mary ann hogan - Apr 29 2022

web rationales the pre test and post test answer section contains comprehensive rationales for both correct and incorrect choices each rationale identifies the step of the

pearson reviews rationales nursing fundamentals with - Jan 07 2023

web download pearson reviews rationales nursing fundamentals with nursing reviews rationales or read pearson reviews rationales nursing fundamentals with

nursing fundamentals reviews rationales hogan mary ann - Dec 06 2022

web dec 13 2017 pearson reviews rationales nursing fundamentals with nursing reviews rationales 4th edition provides a clear concentrated and up to date review

pearson reviews rationales nursing fundamentals with - Feb 08 2023

web apr 6 2022 includes bibliographical references and index the nursing process overview of health assessment overview of communication overview of

pearson reviews rationales nursing fundamentals with - Mar 29 2022

web jul 14 2021 pearson reviews rationales pathophysiology with nursing reviews rationales 4th edition published by pearson july 14 isbn 13 9780137403035

pearson reviews rationales nursing fundamentals with - Sep 03 2022

web pearson reviews rationales nursing fundamentals with nursing reviews rationales hogan mary ann 9780134480589 amazon com au books books

nursing fundamentals reviews and rationales mary - Feb 25 2022

web jul 14 2021 isbn 13 9780137403035 pearson reviews rationales pathophysiology with nursing reviews rationales published 2021

pearson reviews rationales nursing fundamentals with - Oct 04 2022

web jan 10 2017 part of the best selling pearson reviews rationales series this volume addresses all aspects of the exam covering nursing fundamentals it provides a

pearson reviews rationales nursing fundamentals with - Jun 12 2023

web pearson reviews rationales nursing fundamentals with nursing reviews rationales 4th edition get this etextbook with pearson for 10 99 mo read listen

pearson reviews rationales nursing fundamentals - Apr 10 2023

web pearson reviews rationales nursing fundamentals with nursing reviews rationales 4th edition provides a clear concentrated and up to date review of today s

pearson reviews rationales nursing fundamentals with - Nov 05 2022

web pearson reviews rationales nursing fundamentals has prepared thousands of students for success on the nclex rn exam part of the best selling pearson reviews

amazon com customer reviews pearson reviews amp - Nov 24 2021

pearson reviews rationales pathophysiology with nursing - Dec 26 2021

web jan 18 2003 developed by mary ann hogan rn and reviewed by a large team of nurse educators this program can be used by current nursing students as a course study aid

pearson reviews rationales nursing fundamentals with - May 31 2022

web dec 13 2017 aligned to the nclex rn test plan pearson reviews rationales nursing fundamentals with nursing reviews rationales 4th edition provides a

pearson reviews rationales nursing fundamentals with - Jul 13 2023

web pearson reviews rationales nursing fundamentals with nursing reviews rationales 4th edition published by pearson december 12 2017 2018 mary ann

pearson reviews rationales pathophysiology with nursing - Oct 24 2021