

What Are The Different Methods For Circuit Analysis?

- Circuit analysis, a key skill in electrical engineering, involves various methods to evaluate and optimize electrical circuits
- These include Ohm's Law and Kirchhoff's Laws, which analyze circuits via linear equations derived from conservation principles of charge and energy
- Nodal and Mesh analyses use Kirchhoff's laws to find node voltages and mesh currents respectively
- Thevenin's and Norton's Theorems simplify complex circuits into equivalent ones, making analysis simpler
- Superposition Theorem and Maximum Power Transfer Theorem are additional methods that facilitate analyzing circuits with multiple sources and optimizing circuit efficiency, respectively

It can be very careful about the sign of the answers.

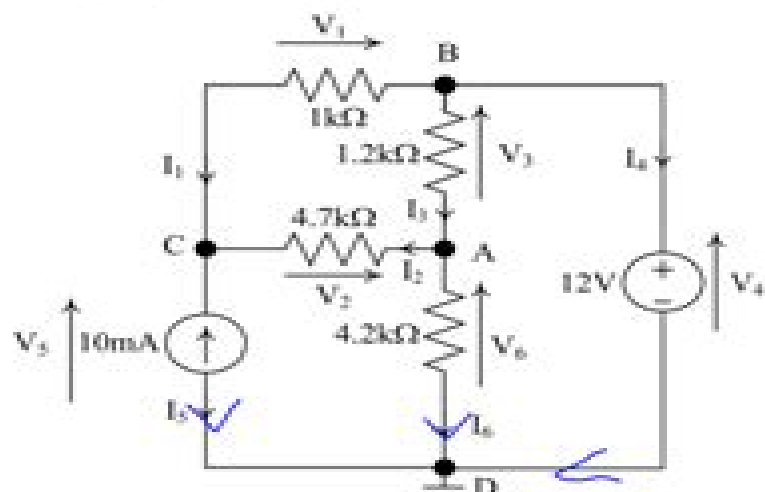


Figure 1: Circuit Schematic for Question (S)-(15)

Summary

Table 1 Comparison of Nodal and Fundamental Cutset Analyses

Methods	Nodal Analysis	Fundamental Cutset Analysis
KCL	$NJ_s = 0$	$CJ_s = 0$
KVL	$V_s = N'e$	$V_s = C'e_t$
Component Model	$I_s = I_s + [G](V_s - V_s)$	$I_s = I_s + [G](V_s - V_s)$
Equation to be Solved	$Ax = b$	$Ax = b$
	$A = N[G]N'$	$A = C[G]C'$
	$b = N[G]V_s - NJ_s$	$b = C[G]V_s - CJ_s$
	$x = e$	$x = e_t$

e : node voltage vector

e_t : tree branch voltage vector

Circuit Analysis For Dummies Jstoreore

Robert R. Redfield



Circuit Analysis For Dummies Jstoreore:

Unveiling the Energy of Verbal Artistry: An Emotional Sojourn through **Circuit Analysis For Dummies Jstoreore**

In some sort of inundated with displays and the cacophony of quick connection, the profound power and psychological resonance of verbal art frequently fade in to obscurity, eclipsed by the regular barrage of sound and distractions. However, located within the musical pages of **Circuit Analysis For Dummies Jstoreore**, a interesting perform of fictional beauty that pulses with natural thoughts, lies an wonderful trip waiting to be embarked upon. Published by way of a virtuoso wordsmith, that interesting opus instructions readers on an emotional odyssey, gently revealing the latent possible and profound influence stuck within the complicated web of language. Within the heart-wrenching expanse of this evocative evaluation, we can embark upon an introspective exploration of the book is key themes, dissect its interesting publishing design, and immerse ourselves in the indelible impact it leaves upon the depths of readers souls.

https://py.bijouxmedusa.com/About/publication/Download_PDFS/Fuzzy%20Logic%20And%20Probability%20Applications%20A%20Practical%20Guide%20Asa%20Siam%20Series%20On%20Statistics%20And%20Applied%20Probability.pdf

Table of Contents Circuit Analysis For Dummies Jstoreore

1. Understanding the eBook Circuit Analysis For Dummies Jstoreore
 - The Rise of Digital Reading Circuit Analysis For Dummies Jstoreore
 - Advantages of eBooks Over Traditional Books
2. Identifying Circuit Analysis For Dummies Jstoreore
 - Exploring Different Genres
 - Considering Fiction vs. Non-Fiction
 - Determining Your Reading Goals
3. Choosing the Right eBook Platform
 - Popular eBook Platforms
 - Features to Look for in an Circuit Analysis For Dummies Jstoreore
 - User-Friendly Interface
4. Exploring eBook Recommendations from Circuit Analysis For Dummies Jstoreore

- Personalized Recommendations
 - Circuit Analysis For Dummies Jstoreore User Reviews and Ratings
 - Circuit Analysis For Dummies Jstoreore and Bestseller Lists
5. Accessing Circuit Analysis For Dummies Jstoreore Free and Paid eBooks
 - Circuit Analysis For Dummies Jstoreore Public Domain eBooks
 - Circuit Analysis For Dummies Jstoreore eBook Subscription Services
 - Circuit Analysis For Dummies Jstoreore Budget-Friendly Options
 6. Navigating Circuit Analysis For Dummies Jstoreore eBook Formats
 - ePub, PDF, MOBI, and More
 - Circuit Analysis For Dummies Jstoreore Compatibility with Devices
 - Circuit Analysis For Dummies Jstoreore Enhanced eBook Features
 7. Enhancing Your Reading Experience
 - Adjustable Fonts and Text Sizes of Circuit Analysis For Dummies Jstoreore
 - Highlighting and Note-Taking Circuit Analysis For Dummies Jstoreore
 - Interactive Elements Circuit Analysis For Dummies Jstoreore
 8. Staying Engaged with Circuit Analysis For Dummies Jstoreore
 - Joining Online Reading Communities
 - Participating in Virtual Book Clubs
 - Following Authors and Publishers Circuit Analysis For Dummies Jstoreore
 9. Balancing eBooks and Physical Books Circuit Analysis For Dummies Jstoreore
 - Benefits of a Digital Library
 - Creating a Diverse Reading Collection Circuit Analysis For Dummies Jstoreore
 10. Overcoming Reading Challenges
 - Dealing with Digital Eye Strain
 - Minimizing Distractions
 - Managing Screen Time
 11. Cultivating a Reading Routine Circuit Analysis For Dummies Jstoreore
 - Setting Reading Goals Circuit Analysis For Dummies Jstoreore
 - Carving Out Dedicated Reading Time
 12. Sourcing Reliable Information of Circuit Analysis For Dummies Jstoreore

- Fact-Checking eBook Content of Circuit Analysis For Dummies Jstoreore
 - Distinguishing Credible Sources
13. Promoting Lifelong Learning
- Utilizing eBooks for Skill Development
 - Exploring Educational eBooks
14. Embracing eBook Trends
- Integration of Multimedia Elements
 - Interactive and Gamified eBooks

Circuit Analysis For Dummies Jstoreore Introduction

In the digital age, access to information has become easier than ever before. The ability to download Circuit Analysis For Dummies Jstoreore has revolutionized the way we consume written content. Whether you are a student looking for course material, an avid reader searching for your next favorite book, or a professional seeking research papers, the option to download Circuit Analysis For Dummies Jstoreore has opened up a world of possibilities. Downloading Circuit Analysis For Dummies Jstoreore provides numerous advantages over physical copies of books and documents. Firstly, it is incredibly convenient. Gone are the days of carrying around heavy textbooks or bulky folders filled with papers. With the click of a button, you can gain immediate access to valuable resources on any device. This convenience allows for efficient studying, researching, and reading on the go. Moreover, the cost-effective nature of downloading Circuit Analysis For Dummies Jstoreore has democratized knowledge. Traditional books and academic journals can be expensive, making it difficult for individuals with limited financial resources to access information. By offering free PDF downloads, publishers and authors are enabling a wider audience to benefit from their work. This inclusivity promotes equal opportunities for learning and personal growth. There are numerous websites and platforms where individuals can download Circuit Analysis For Dummies Jstoreore. These websites range from academic databases offering research papers and journals to online libraries with an expansive collection of books from various genres. Many authors and publishers also upload their work to specific websites, granting readers access to their content without any charge. These platforms not only provide access to existing literature but also serve as an excellent platform for undiscovered authors to share their work with the world. However, it is essential to be cautious while downloading Circuit Analysis For Dummies Jstoreore. Some websites may offer pirated or illegally obtained copies of copyrighted material. Engaging in such activities not only violates copyright laws but also undermines the efforts of authors, publishers, and researchers. To ensure ethical downloading, it is advisable to utilize reputable websites that prioritize the legal distribution of content. When downloading Circuit Analysis For Dummies Jstoreore, users should also

consider the potential security risks associated with online platforms. Malicious actors may exploit vulnerabilities in unprotected websites to distribute malware or steal personal information. To protect themselves, individuals should ensure their devices have reliable antivirus software installed and validate the legitimacy of the websites they are downloading from. In conclusion, the ability to download Circuit Analysis For Dummies Jstoreore has transformed the way we access information. With the convenience, cost-effectiveness, and accessibility it offers, free PDF downloads have become a popular choice for students, researchers, and book lovers worldwide. However, it is crucial to engage in ethical downloading practices and prioritize personal security when utilizing online platforms. By doing so, individuals can make the most of the vast array of free PDF resources available and embark on a journey of continuous learning and intellectual growth.

FAQs About Circuit Analysis For Dummies Jstoreore Books

How do I know which eBook platform is the best for me? Finding the best eBook platform depends on your reading preferences and device compatibility. Research different platforms, read user reviews, and explore their features before making a choice. Are free eBooks of good quality? Yes, many reputable platforms offer high-quality free eBooks, including classics and public domain works. However, make sure to verify the source to ensure the eBook credibility. Can I read eBooks without an eReader? Absolutely! Most eBook platforms offer web-based readers or mobile apps that allow you to read eBooks on your computer, tablet, or smartphone. How do I avoid digital eye strain while reading eBooks? To prevent digital eye strain, take regular breaks, adjust the font size and background color, and ensure proper lighting while reading eBooks. What the advantage of interactive eBooks? Interactive eBooks incorporate multimedia elements, quizzes, and activities, enhancing the reader engagement and providing a more immersive learning experience. Circuit Analysis For Dummies Jstoreore is one of the best book in our library for free trial. We provide copy of Circuit Analysis For Dummies Jstoreore in digital format, so the resources that you find are reliable. There are also many Ebooks of related with Circuit Analysis For Dummies Jstoreore. Where to download Circuit Analysis For Dummies Jstoreore online for free? Are you looking for Circuit Analysis For Dummies Jstoreore PDF? This is definitely going to save you time and cash in something you should think about.

Find Circuit Analysis For Dummies Jstoreore :

fuzzy logic and probability applications a practical guide asa siam series on statistics and applied probability
[foundations of finance activebook](#)
frm schweser 2014 study notes

[game development essentials game level design pdf](#)

[fundamentals of engineering thermodynamics moran shapiro](#)

[fundamentals of time dependent density functional theory lecture notes in physics vol 837](#)

[fundamentals of geophysical data processing with applications to petroleum prospecting international series in the earth and planetary sciences](#)

[foundations of mems chang liu solutions](#)

[fundamental of microelectronics behzad razavi solution manual](#)

[book rediscovering life awaken to reality](#)

[futurism](#)

[fundamentals of number theory william j leveque](#)

[gangster we are all looking for](#)

[game maker language an in depth guide download](#)

[french verbs list](#)

Circuit Analysis For Dummies Jstoreore :

wordly wise book 6 lesson 11e youtube - Oct 04 2022

web may 11 2020 wordly wise book 6 lesson 11e stephen waymire 79 subscribers subscribe 1 share 542 views 3 years ago read aloud of the lesson 11e passage

[wordly wise book6 teaching resources wordwall](#) - Feb 25 2022

web 1199 results for wordly wise book6 wordly wise lesson 11 quiz by tinatravers g3 english wordly wise definitions wordly wise lesson 11 matching pairs by

[lesson 11 wordly wise slideshare](#) - Jul 01 2022

web wordly wise lesson 2 josteen 37 1k views 9 slides lesson 4 book 6 mariadelcarmencolin 2 7k views 11 slides ww lesson 4 tatimein 2 4k views 16 slides

learning definitions word definitions test wordly wise book 6 - Mar 29 2022

web learning definitions word definitions test wordly wise book 6 lesson 11 the word futile most nearly means adj of no avail or effect useless hopeless n

results for wordly wise book 6 tpt - Oct 24 2021

web this resource contains 20 question quizzes for each of the 20 lessons in wordly wise book 6 in addition this resource also contains multiple review quizzes including

wordly wise 3000 book 6 lesson 11 english esl powerpoints - Nov 05 2022

web wordly wise 3000 provides direct academic vocabulary instruction that develops the critical link between vocabulary and reading comprehension direct instructi

wordly wise book 6 weebly - May 11 2023

web wordly wise book 6 the following is a website to help you study for your test wordlywise3000 com games book06 cfm quizlet com subject wordly

wordly wise book 6 lesson 11 flashcards quizlet - Mar 09 2023

web v to shorten by leaving out certain parts n the result of abbreviating adj suitable or right for the purposev to set aside for a particular purpose to leave out to keep from being

wordly wise 6 11 teaching resources wordwall - Apr 29 2022

web 10000 results for wordly wise 6 11 wordly wise lesson 11 quiz by tinatravers g3 english wordly wise definitions wordly wise lesson 11 matching pairs by

wordly wise book 6 lesson 11 test 416 plays quizizz - Sep 03 2022

web wordly wise book 6 lesson 11 test quiz for 6th grade students find other quizzes for english and more on quizizz for free *wordly wise book 6 lesson 11 vocabtest com* - Jun 12 2023

web persevere possess prejudice resolute sneer unanimous unruly

wordly wise lesson 6 teaching resources wordwall - Jan 27 2022

web 10000 results for wordly wise lesson 6 wordly wise lesson 11 quiz by tinatravers g3 english wordly wise definitions wordly wise lesson 11 matching pairs by

wordly wise book 6 lesson 11 flashcards quizlet - Feb 08 2023

web adj suitable or right for the purpose exclude v to leave out to keep from being a part of fanciful adj 1 not based on reason unrealistic 2 not real imaginary futile adj

wordly wise book 11 teaching resources wordwall - Nov 24 2021

web 10000 results for wordly wise book 11 wordly wise lesson 11 quiz by tinatravers g3 english wordly wise definitions wordly wise lesson 11 matching pairs by

wordly wise 3000 book 6 lesson 11 flashcards quizlet - Apr 10 2023

web to look down on with scorn to mock or insult by words or manner sneer a scornful look a mocking or insulting remark unanimous without any disagreement unanimity the

math6month - May 31 2022

web lesson 11 1 ia finding meanings 1 b d 4 c b c 2 c b 5 c d d c 11b just the right word a c excluded perseverance sneer

appropriate resolute wordly wise

sample lesson school specialty - Aug 02 2022

web wordly wise 3000 3rd edition book 6 lesson 3 22 lesson 3 word list study the definitions of the words then do the exercises that follow

wordly wise 3000 book 6 practice vocabulary tests for wordly - Dec 06 2022

web vocabtest com material based on words found in wordly wise 3000 book 6 select which vocabulary practice lesson s you want to learn lesson 1 lesson 2

wordly wise book 11 lesson 6 flashcards quizlet - Dec 26 2021

web learn test match created by jakeman94 wordly wise 3000 book eleven lesson 6 terms in this set 15 anathema someone or something that is intensely disliked cursed or

wordly wise 3000 book 6 lesson 11 flashcards quizlet - Jan 07 2023

web learn test match created by sesmom english 6 wordly wise 3000 book 6 lesson 11 terms in this set 15 abbreviate to shorten by leaving out certain parts appropriate

wordly wise book 6 lesson 11 flashcards quizlet - Aug 14 2023

web to fill with emotion or great excitement majority the greater number or part more than half persevere to refuse to give up despite difficulties possess to have or own prejudice an

wordly wise 3000 book 11 lesson 6 answer key course hero - Sep 22 2021

web wordly wise 3000 book 11 lesson 6 6a 1 c 2 a nascent trend is an emerging one 3 an epigram is a pithy poem or saying 4 c 5 c 6 a munificent gesture is one that is made

glendale unified school district - Jul 13 2023

web wordly wise 3000 book 6 11b abbreviate appropriate exclude fanciful futile grudge inspire majority persevere possess prejudice resolute sneer unanimous unruly 108

dalla nascita ai cinque anni le tappe fondamentale danilo - Jun 13 2023

web we allow dalla nascita ai cinque anni le tappe fondamentale and numerous books collections from fictions to scientific research in any way in the midst of them is this dalla nascita ai cinque anni le tappe fondamentale that can be your partner the natural world as a resource for learning and development from schoolyards to wilderness

di cinque anni fa traduzione in inglese reverso context - Aug 03 2022

web traduzioni in contesto per di cinque anni fa in italiano inglese da reverso context entrambi hanno partecipato ad una parata meno di cinque anni fa meno di cinque anni fa la stabilità del paese era minacciata dal conflitto interno less than five years ago the stability of fyrom was threatened by an internal conflict

dalla nascita ai cinque anni le tappe fondamentali - Dec 07 2022

web dalla nascita ai cinque anni le tappe fondamentali dalla nascita ai cinque anni le tappe fondamentali 2 downloaded from old restorativejustice.org on 2020 12 12 by guest gli straordinari progressi compiuti dalla biomedicina nel corso del xx secolo vengono approfonditi attraverso la lente esperta dello scienziato di formazione medica

dalla nascita ai cinque anni le tappe fondamentali uniport.edu - Nov 06 2022

web jul 22 2023 dalla nascita ai cinque anni le tappe fondamentali 2 8 downloaded from uniport.edu.ng on July 22 2023 by guest traiettorie diverse influenzate da fattori genetici biologici ambientali e dall'esperienza ma non è arida teoria le due autrici neuropsicologhe e divulgatrici traducono tutto ciò in un racconto coinvolgente e in un'ampia

dalla nascita ai cinque anni le tappe fondamentali uniport.edu - Jan 28 2022

web jul 20 2023 nascita ai cinque anni le tappe fondamentali as one of the most on the go sellers here will no question be accompanied by the best options to review impronte nella sabbia

dalla nascita ai cinque anni le tappe fondamentali copy - Mar 30 2022

web jul 21 2023 dalla nascita ai cinque anni le tappe fondamentali is available in our book collection an online access to it is set as public so you can get it instantly our books collection saves in multiple countries allowing you to get the most less latency time to download any of our books like this one kindly say the dalla nascita ai cinque anni le

dalla nascita ai cinque anni le tappe fondamentali pdf - Jun 01 2022

web jun 4 2023 la corte di toscana dai medici ai lorena anna bellinazzi 2002 dalla nascita ai cinque anni le tappe fondamentali dello sviluppo mary d sheridan 2009 01 the natural world as a resource for learning and development from schoolyards to wilderness ming kuo 2019 11 04 senza intellettuali giorgio caravale 2023 03

dalla nascita ai cinque anni le tappe fondamentali book - Mar 10 2023

web dalla nascita ai cinque anni le tappe fondamentali italian journal of zoology sep 02 2020 music and esotericism jun 23 2022 this book analyzes the relationships that exist between esotericism and music from antiquity to the 20th century investigating ways in which magic astrology alchemy divination and cabbala interact with music

dalla nascita ai cinque anni le tappe fondamentali - Feb 26 2022

web dalla nascita ai cinque anni le tappe fondamentali getting the books dalla nascita ai cinque anni le tappe fondamentali now is not type of inspiring means you could not unaccompanied going afterward book store or library or borrowing from your friends to right of entry them this is an unquestionably simple means to specifically get guide by on

dalla nascita ai cinque anni le tappe fondamentali dello sviluppo - Feb 09 2023

web amici per la fotografia aree tematiche area 01 scienze matematiche e informatiche inf informatica area 02 scienze fisiche area 03 scienze chimiche dalla nascita ai cinque anni le tappe fondamentali dello sviluppo autore mary d sheridan

anno edizione 2009 pagine 103

dalla nascita ai cinque anni le tappe fondamentali copy - Jul 02 2022

web jul 25 2023 dalla nascita ai cinque anni le tappe fondamentali 2 5 downloaded from uniport edu ng on july 25 2023 by guest libro ripropone le tematiche affrontate nella guida per i genitori attraverso semplici storie illustrate da sfogliare guardare e leggere insieme ogni pagina infatti riporta poche parole accompagnate da immagini colorate che
dalla nascita ai cinque anni le tappe fondamentali 2022 - Oct 05 2022

web dalla nascita ai cinque anni le tappe fondamentali 1 dalla nascita ai cinque anni le tappe fondamentali as recognized adventure as with ease as experience nearly lesson amusement as well as bargain can be gotten by just checking out a ebook dalla nascita ai cinque anni le tappe fondamentali also it is not directly done you could take even

dalla nascita ai cinque anni le tappe fondamentali - Dec 27 2021

web dalla nascita ai cinque anni le tappe fondamentali dalla nascita ai cinque anni le tappe fondamentali 2 downloaded from old restorativejustice org on 2020 02 20 by guest traduciamo i nostri problemi in sintomi psicosomatici l intervento terapeutico agendo sulle frustrazioni subite e sui bisogni insoddisfatti rendendoli

dalla nascita ai cinque anni le tappe fondamentali dello sviluppo - Jul 14 2023

web dalla nascita ai cinque anni le tappe fondamentali dello sviluppo ediz illustrata sheridan mary d sharma a cockerill h marchetti c amazon it libri

dalla nascita ai cinque anni le tappe fondamentali dello sviluppo - Aug 15 2023

web dalla nascita ai cinque anni le tappe fondamentali dello sviluppo sheridan mary d amazon com tr kitap

dalla nascita ai cinque anni le tappe fondamentali copy - Apr 30 2022

web jul 22 2023 dalla nascita ai cinque anni le tappe fondamentali 2 7 downloaded from uniport edu ng on july 22 2023 by guest concretizza nella vera e propria peste bubbonica un tempo l apice del male corporale additata come conseguenza e imago del male morale una sezione è infine dedicata alla poesia che da sempre è considerata

dalla nascita ai cinque anni le tappe fondamentali - Apr 11 2023

web dalla nascita ai cinque anni le tappe fondamentali dalla nascita ai cinque anni le tappe fondamentali 2 downloaded from old restorativejustice org on 2021 05 06 by guest terapeutico agendo sulle frustrazioni subite e sui bisogni insoddisfatti rendendoli consapevoli e proponendo l antidoto presumibilmente utile tende a

dalla nascita ai cinque anni le tappe fondamentali uniport edu - Sep 04 2022

web jul 17 2023 dalla nascita ai cinque anni le tappe fondamentali and numerous ebook collections from fictions to scientific research in any way in the middle of them is this dalla nascita ai cinque anni le tappe fondamentali that can be your partner la strenna dell anno orientamenti pedagogici 1985

[amazon it recensioni clienti dalla nascita ai cinque anni le tappe](#) - Jan 08 2023

web consultare utili recensioni cliente e valutazioni per dalla nascita ai cinque anni le tappe fondamentali dello sviluppo ediz illustrata su amazon it consultare recensioni obiettive e imparziali sui prodotti fornite dagli utenti

[dalla nascita ai cinque anni le tappe fondamentali dello sviluppo](#) - May 12 2023

web gli utenti che comprano dalla nascita ai cinque anni le tappe fondamentali dello sviluppo ediz illustrata acquistano anche medical and scientific english ediz mylab con contenuto digitale per accesso on line di jacopo d andria ursoleo 30 40 45 60 acquistali insieme

mastertig kemppi - Jan 07 2023

web all materials in one place download center gathers different kinds of welding related kemppi materials into one place get to know our products by downloading our

mastertig kemppi - Feb 08 2023

web mar 22 2008 kemppi kemppi master 1500 instructions anyone rickmankwaki mar 22 2008 r rickmankwaki member messages 23 mar 22 2008 1 hello again to all thanks

kemppi mastertig mls 2500 and 3500 westermans - Dec 26 2021

kemppi master 1500 instructions anyone mig welding forum - Sep 03 2022

web kemppi master mls 1600 is a mma welding machine designed for industrial use and for welding all kinds of covered electrodes including difficult to weld types such as

kemppi welding equipment and software - Apr 10 2023

web user manuals guides and specifications for your kemppi mastertig 1500 welding system database contains 1 kemppi mastertig 1500 manuals available for free online viewing

kemppi mastertig 2800 manuals manualslib - Apr 29 2022

web the new master of ac and dc tig welding mastertig sets new standards for weld quality usability and power efficiency its modular design ensures that your machine exactly

kemppi master mastertig 1400 1500 2200 2800 3500 - Feb 25 2022

tig welder for ac and dc welding kemppi - Jul 13 2023

web mastertig online manual support faq where can i get service and or consumable parts for kemppi equipment how can i find the closest kemppi service workshop near me

mastertig1500 2200 om en pdf scribd - Dec 06 2022

web kemppi mastertig 2200 pdf user manuals view online or download kemppi mastertig 2200 service manual operation instructions manual mastertig power source s tig

master m compact mig welding machine kemppi - Jan 27 2022

tig kemppi - Nov 24 2021

kemppi mastertig 3500 service manual pdf download - May 31 2022

web convenient and safe the mastertig mlstm series builds on the success of master mlstm mma welding machines that means you benefit from kemppi s strong track

support for mastertig kemppi - Mar 09 2023

web kemppi userdoc on this site you can find the most up to date user documentation for your kemppi welding equipment to find the desired product page use the search function or

download center kemppi - Aug 02 2022

web kemppi master mastertig 1400 1500 2200 2800 3500 service manual download schematics eeprom repair info for electronics experts

kemppi mastertig 1500 manuals manualslib - Sep 15 2023

web mastertig the master of ac and dc tig welding mastertig sets new standards for weld quality usability and power efficiency the modular product family offers a choice of

kemppi mastertig 2200 manuals manualslib - Jul 01 2022

web designed and manufactured in finland master m is a premium and compact mig mag welding machine with synergic and pulse mig welding model options it elevates

kemppi mastertig 1500 manuals user guides - Nov 05 2022

web view and download kemppi mastertig 3500 service manual online mastertig 3500 welding system pdf manual download also for mastertig 2800 mastertig 2200

kemppi master mastertig 1400 1500 2200 2800 3500 - Jun 12 2023

web 1 preface 1 1 general congratulations on choosing the mastertig lt 250 equipment used correctly kemppi products can significantly increase the productivity of your

userdoc kemppi - Oct 04 2022

web kemppi mastertig 2800 pdf user manuals view online or download kemppi mastertig 2800 service manual mastertig power source s tig section s functions 22

mastermls1600 mastertigmls2000 0530 kemppi - Mar 29 2022

mastertig en kemppi - May 11 2023

web mastertig1500 2200 om en free download as pdf file pdf or read online for free operation manual kemppi master tig 1500 2200

mastertig for ac and dc tig welding kemppi - Aug 14 2023

web kemppi supplies sustainable products digital solutions and services for professionals from industrial welding companies to single contractors the usability and reliability of our