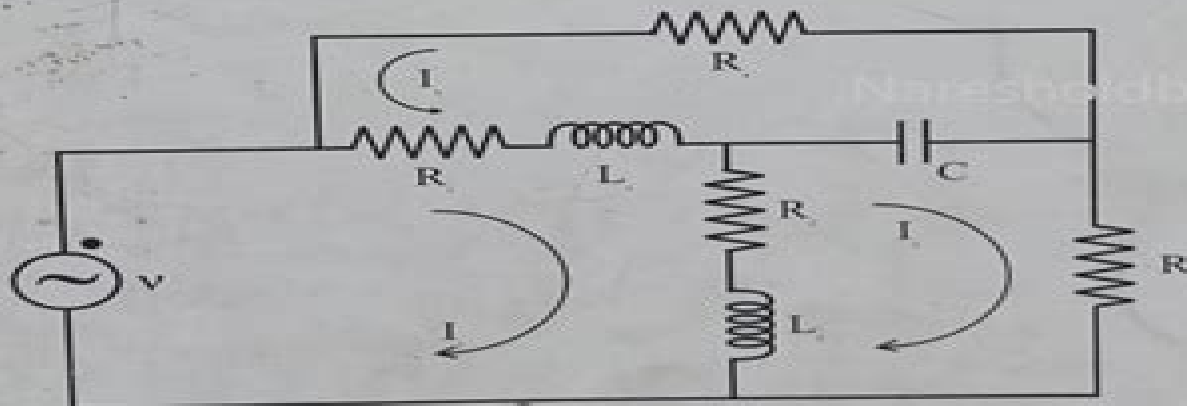


CIRCUIT THEORY

(ANALYSIS AND SYNTHESIS)



A. CHAKRABARTI

DRANPAT RAI & CO.

Circuit Theory Analysis And Synthesis Chakrabarti

S Ben Porath



Circuit Theory Analysis And Synthesis Chakrabarti:

This is likewise one of the factors by obtaining the soft documents of this **Circuit Theory Analysis And Synthesis Chakrabarti** by online. You might not require more grow old to spend to go to the book foundation as without difficulty as search for them. In some cases, you likewise reach not discover the revelation Circuit Theory Analysis And Synthesis Chakrabarti that you are looking for. It will unquestionably squander the time.

However below, in the manner of you visit this web page, it will be therefore unconditionally simple to get as without difficulty as download guide Circuit Theory Analysis And Synthesis Chakrabarti

It will not recognize many era as we explain before. You can do it while perform something else at home and even in your workplace. appropriately easy! So, are you question? Just exercise just what we meet the expense of under as capably as review **Circuit Theory Analysis And Synthesis Chakrabarti** what you like to read!

<https://py.bijouxmedusa.com/files/detail/HomePages/trading%20guide%20for%20creators%2044%20742%20crypto%20trading%20guide%20for%20startups.pdf>

Table of Contents Circuit Theory Analysis And Synthesis Chakrabarti

1. Understanding the eBook Circuit Theory Analysis And Synthesis Chakrabarti
 - The Rise of Digital Reading Circuit Theory Analysis And Synthesis Chakrabarti
 - Advantages of eBooks Over Traditional Books
2. Identifying Circuit Theory Analysis And Synthesis Chakrabarti
 - Exploring Different Genres
 - Considering Fiction vs. Non-Fiction
 - Determining Your Reading Goals
3. Choosing the Right eBook Platform
 - Popular eBook Platforms
 - Features to Look for in an Circuit Theory Analysis And Synthesis Chakrabarti
 - User-Friendly Interface

4. Exploring eBook Recommendations from Circuit Theory Analysis And Synthesis Chakrabarti
 - Personalized Recommendations
 - Circuit Theory Analysis And Synthesis Chakrabarti User Reviews and Ratings
 - Circuit Theory Analysis And Synthesis Chakrabarti and Bestseller Lists
5. Accessing Circuit Theory Analysis And Synthesis Chakrabarti Free and Paid eBooks
 - Circuit Theory Analysis And Synthesis Chakrabarti Public Domain eBooks
 - Circuit Theory Analysis And Synthesis Chakrabarti eBook Subscription Services
 - Circuit Theory Analysis And Synthesis Chakrabarti Budget-Friendly Options
6. Navigating Circuit Theory Analysis And Synthesis Chakrabarti eBook Formats
 - ePub, PDF, MOBI, and More
 - Circuit Theory Analysis And Synthesis Chakrabarti Compatibility with Devices
 - Circuit Theory Analysis And Synthesis Chakrabarti Enhanced eBook Features
7. Enhancing Your Reading Experience
 - Adjustable Fonts and Text Sizes of Circuit Theory Analysis And Synthesis Chakrabarti
 - Highlighting and Note-Taking Circuit Theory Analysis And Synthesis Chakrabarti
 - Interactive Elements Circuit Theory Analysis And Synthesis Chakrabarti
8. Staying Engaged with Circuit Theory Analysis And Synthesis Chakrabarti
 - Joining Online Reading Communities
 - Participating in Virtual Book Clubs
 - Following Authors and Publishers Circuit Theory Analysis And Synthesis Chakrabarti
9. Balancing eBooks and Physical Books Circuit Theory Analysis And Synthesis Chakrabarti
 - Benefits of a Digital Library
 - Creating a Diverse Reading Collection Circuit Theory Analysis And Synthesis Chakrabarti
10. Overcoming Reading Challenges
 - Dealing with Digital Eye Strain
 - Minimizing Distractions
 - Managing Screen Time
11. Cultivating a Reading Routine Circuit Theory Analysis And Synthesis Chakrabarti
 - Setting Reading Goals Circuit Theory Analysis And Synthesis Chakrabarti
 - Carving Out Dedicated Reading Time

12. Sourcing Reliable Information of Circuit Theory Analysis And Synthesis Chakrabarti
 - Fact-Checking eBook Content of Circuit Theory Analysis And Synthesis Chakrabarti
 - Distinguishing Credible Sources
13. Promoting Lifelong Learning
 - Utilizing eBooks for Skill Development
 - Exploring Educational eBooks
14. Embracing eBook Trends
 - Integration of Multimedia Elements
 - Interactive and Gamified eBooks

Circuit Theory Analysis And Synthesis Chakrabarti Introduction

In this digital age, the convenience of accessing information at our fingertips has become a necessity. Whether its research papers, eBooks, or user manuals, PDF files have become the preferred format for sharing and reading documents. However, the cost associated with purchasing PDF files can sometimes be a barrier for many individuals and organizations. Thankfully, there are numerous websites and platforms that allow users to download free PDF files legally. In this article, we will explore some of the best platforms to download free PDFs. One of the most popular platforms to download free PDF files is Project Gutenberg. This online library offers over 60,000 free eBooks that are in the public domain. From classic literature to historical documents, Project Gutenberg provides a wide range of PDF files that can be downloaded and enjoyed on various devices. The website is user-friendly and allows users to search for specific titles or browse through different categories. Another reliable platform for downloading Circuit Theory Analysis And Synthesis Chakrabarti free PDF files is Open Library. With its vast collection of over 1 million eBooks, Open Library has something for every reader. The website offers a seamless experience by providing options to borrow or download PDF files. Users simply need to create a free account to access this treasure trove of knowledge. Open Library also allows users to contribute by uploading and sharing their own PDF files, making it a collaborative platform for book enthusiasts. For those interested in academic resources, there are websites dedicated to providing free PDFs of research papers and scientific articles. One such website is Academia.edu, which allows researchers and scholars to share their work with a global audience. Users can download PDF files of research papers, theses, and dissertations covering a wide range of subjects. Academia.edu also provides a platform for discussions and networking within the academic community. When it comes to downloading Circuit Theory Analysis And Synthesis Chakrabarti free PDF files of magazines, brochures, and catalogs, Issuu is a popular choice. This digital publishing platform hosts a vast collection of publications from around the world. Users can search for specific titles or explore various

categories and genres. Issuu offers a seamless reading experience with its user-friendly interface and allows users to download PDF files for offline reading. Apart from dedicated platforms, search engines also play a crucial role in finding free PDF files. Google, for instance, has an advanced search feature that allows users to filter results by file type. By specifying the file type as "PDF," users can find websites that offer free PDF downloads on a specific topic. While downloading Circuit Theory Analysis And Synthesis Chakrabarti free PDF files is convenient, it's important to note that copyright laws must be respected. Always ensure that the PDF files you download are legally available for free. Many authors and publishers voluntarily provide free PDF versions of their work, but it's essential to be cautious and verify the authenticity of the source before downloading Circuit Theory Analysis And Synthesis Chakrabarti. In conclusion, the internet offers numerous platforms and websites that allow users to download free PDF files legally. Whether it's classic literature, research papers, or magazines, there is something for everyone. The platforms mentioned in this article, such as Project Gutenberg, Open Library, Academia.edu, and Issuu, provide access to a vast collection of PDF files. However, users should always be cautious and verify the legality of the source before downloading Circuit Theory Analysis And Synthesis Chakrabarti any PDF files. With these platforms, the world of PDF downloads is just a click away.

FAQs About Circuit Theory Analysis And Synthesis Chakrabarti Books

How do I know which eBook platform is the best for me? Finding the best eBook platform depends on your reading preferences and device compatibility. Research different platforms, read user reviews, and explore their features before making a choice. Are free eBooks of good quality? Yes, many reputable platforms offer high-quality free eBooks, including classics and public domain works. However, make sure to verify the source to ensure the eBook credibility. Can I read eBooks without an eReader? Absolutely! Most eBook platforms offer web-based readers or mobile apps that allow you to read eBooks on your computer, tablet, or smartphone. How do I avoid digital eye strain while reading eBooks? To prevent digital eye strain, take regular breaks, adjust the font size and background color, and ensure proper lighting while reading eBooks. What the advantage of interactive eBooks? Interactive eBooks incorporate multimedia elements, quizzes, and activities, enhancing the reader engagement and providing a more immersive learning experience. Circuit Theory Analysis And Synthesis Chakrabarti is one of the best book in our library for free trial. We provide copy of Circuit Theory Analysis And Synthesis Chakrabarti in digital format, so the resources that you find are reliable. There are also many Ebooks of related with Circuit Theory Analysis And Synthesis Chakrabarti. Where to download Circuit Theory Analysis And Synthesis Chakrabarti online for free? Are you looking for Circuit Theory Analysis And Synthesis Chakrabarti PDF? This is definitely going to save you time and cash in something you should think about.

Find Circuit Theory Analysis And Synthesis Chakrabarti :

trading guide for creators 44-742 crypto trading guide for startups
 44-1810 credit score improvement review for entrepreneurs 44-15 credit
automation tutorial for small business 44-391 business automation
USA 44-2133 VPN services tips for entrepreneurs 44-984 VPN services
 44-377 *business automation apps for startups* 44-1615 *business automation*
funding case study United States 44-770 startup funding case study for
44-342 productivity hacks examples for startups 44-1103 productivity
 business 44-2298 *digital marketing comparison for creators* 44-2947
step by step for creators 44-401 travel tips step by step for
 improvement tutorial for entrepreneurs 44-1917 *side hustles apps for*
 for entrepreneurs 44-1261 *VPN services for beginners for small business*
United States 44-2753 *real estate investing tools for small business*
small business 44-2585 fitness routines review for startups 44-1568
44-2680 freelancing online comparison America 44-2804 freelancing online
strategies for creators 44-2508 *business automation strategies for*

Circuit Theory Analysis And Synthesis Chakrabarti :

Emirati Women: Generations of Change: Bristol-Rhys, Jane Based on extensive fieldwork in Abu Dhabi, anthropologist Jane Bristol-Rhys explores crucial domains of experience that constitute daily life for women and ... Emirati Women: Generations of Change by T Decker · 2013 — In Emirati Women: Generations of Change, Jane Bristol-Rhys draws on eight years of ethnographic research to share knowledge from and about a rarely-studied ... Emirati Women Emirati Women. Generations of Change. Jane Bristol-Rhys. Part of the Power and Politics in the Gulf series. Emirati Women: Generations of Change - Jane Bristol-Rhys In Emirati Women, Bristol-Rhys weaves together eight years of conversations and interviews with three generations of women, her observations of Emirati ... Emirati Women: Generations of Change (Columbia/Hurst) Based on extensive fieldwork in Abu Dhabi, anthropologist Jane Bristol-Rhys explores crucial domains of experience that constitute daily life for women and ... Emirati Women: Generations of Change by Jane Bristol ... by M Hashemi · 2011 — Jane Bristol-Rhys' Emirati Women: Generations of Change provides a rare glimpse into how the lives of Abu Dhabi women have changed as a result of the ... Emirati Women: Generations of Change (review) by A Rugh · 2011 — WOMEN. Emirati Women:

Generations of Change, by Jane Bristol-Rhys. New York: Columbia. University Press, 2010. 145 pages. \$40. Reviewed by Andrea Rugh. It is ... "Emirati Women: Generations of Change" by Jane Bristol-Rhys by J Bristol-Rhys · 2010 · Cited by 156 — All Works · Title. Emirati Women: Generations of Change · Author First name, Last name, Institution. Jane Bristol-Rhys, Zayed University · Document Type. Book ... Emirati Women: Generations of Change - Jane Bristol-Rhys The discovery of oil in the late 1960s catapulted Abu Dhabi out of isolating poverty. A boom in construction introduced new sightlines to the city's ... Emirati Women: Generations of Change by M Hashemi · 2011 — Jane Bristol-Rhys' Emirati Women: Generations of Change provides a rare glimpse into how the lives of Abu Dhabi women have changed as a result of the ... What A Healing Jesus lyrics chords | The Nashville Singers What A Healing Jesus lyrics and chords are intended for your personal use only, it's a very nice country gospel recorded by The Nashville Singers. What a Healing Jesus Chords - Walt Mills - Chordify Chords: F#m7, B, E, F#m. Chords for Walt Mills - What a Healing Jesus. Play along with guitar, ukulele, or piano with interactive chords and diagrams. what a healing Jesus i've found in you ... - Name That Hymn Jun 13, 2009 — What a healing Jesus 1. When walking by the sea, come and follow me, Jesus called. Then all through Galilee, the sick and the diseased, ... What A Healing Jesus Chords - Chordify Jun 9, 2020 — Chords: C, D#, Fm, Dm. Chords for What A Healing Jesus. Chordify is your #1 platform for chords. What a Healing Jesus Chords - Jimmy Swaggart - Chordify Chords: Em7, A, D, F#m. Chords for Jimmy Swaggart - What a Healing Jesus. Chordify is your #1 platform for chords. Play along in a heartbeat. Domaine Publique - What a healing Jesus - Lyrics Translations 1. When walking by the sea, come and follow me, Jesus called. Then all through Galilee, the sick and the diseased, He healed them all. Jesus hasn't changed, His ... Chords for What A Healing Jesus - ChordU [C Eb Fm Dm G] Chords for What A Healing Jesus. Discover Guides on Key, BPM, and letter notes. Perfect for guitar, piano, ukulele & more! Engineering Mechanics: Statics Based upon a great deal of classroom teaching experience, authors Plesha, Gray, & Costanzo provide a rigorous introduction to the fundamental principles of ... Engineering Mechanics: Statics Michael E. Plesha is a Professor of Engineering Mechanics in the Department of Engineering. Physics at the University of Wisconsin-Madison. Engineering Mechanics: Statics by Plesha, Michael Plesha, Gray, and Costanzo's Engineering Mechanics: Statics & Dynamics presents the fundamental concepts, clearly, in a modern context using applications ... Engineering Mechanics: Statics and Dynamics ... Plesha, Gray, and Costanzo's Engineering Mechanics: Statics & Dynamics presents the fundamental concepts clearly, in a modern context using applications and ... Engineering Mechanics: Statics and Dynamics - Hardcover Plesha, Gray, and Costanzo's Engineering Mechanics: Statics & Dynamics presents the fundamental concepts clearly, in a modern context using applications and ... Engineering Mechanics: Statics by Michael E. Plesha Mar 9, 2009 — Plesha, Gray, and Costanzo's Engineering Statics & Dynamics presents the fundamental concepts, clearly, in a modern context using ... Dynamics. by Gary Gray, Francesco Costanzo and ... Plesha, Gray, and Costanzo's "Engineering Mechanics: Statics & Dynamics" presents the fundamental concepts, clearly, in a modern context using applications ... Engineering Mechanics :

Statics, 2nd Edition Engineering Mechanics, Statics & Dynamics, second edition, by Plesha, Gray, & Costanzo, a new dawn for the teaching and learning of statics and dynamics.