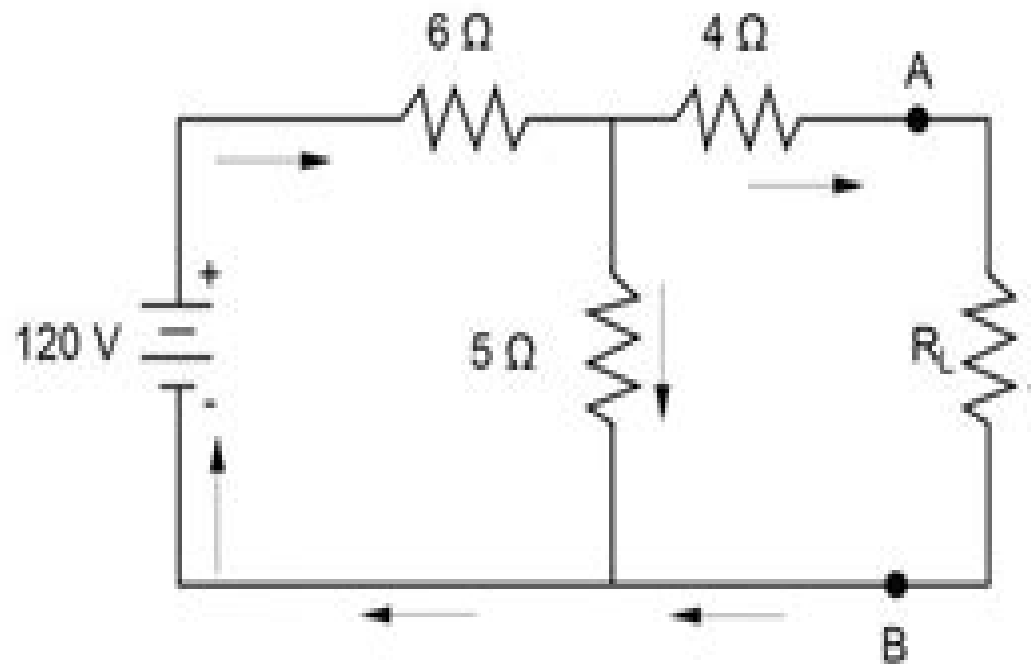


Find the Thevenin equivalent voltage and resistance for the following circuit. The load resistance is shown as R_L .



- (a) $V_{TH} = 45.5 \text{ V}; R_{TH} = 6.7 \Omega$
- (b) $V_{TH} = 54.5 \text{ V}; R_{TH} = 6.7 \Omega$
- (c) $V_{TH} = 45.4 \text{ V}; R_{TH} = 9 \Omega$
- (d) $V_{TH} = 54.5 \text{ V}; R_{TH} = 9 \Omega$

Circuit Analysis Practice Exam

Brendan G. Carr



Circuit Analysis Practice Exam:

Immerse yourself in heartwarming tales of love and emotion with Explore Love with its touching creation, **Circuit Analysis Practice Exam** . This emotionally charged ebook, available for download in a PDF format (Download in PDF: *), is a celebration of love in all its forms. Download now and let the warmth of these stories envelop your heart.

<https://py.bijouxmedusa.com/data/uploaded-files/index.jsp/for%20startups%2079%201230%20personal%20finance%20tips%20united%20states%2079%202398.pdf>

Table of Contents Circuit Analysis Practice Exam

1. Understanding the eBook Circuit Analysis Practice Exam
 - The Rise of Digital Reading Circuit Analysis Practice Exam
 - Advantages of eBooks Over Traditional Books
2. Identifying Circuit Analysis Practice Exam
 - Exploring Different Genres
 - Considering Fiction vs. Non-Fiction
 - Determining Your Reading Goals
3. Choosing the Right eBook Platform
 - Popular eBook Platforms
 - Features to Look for in an Circuit Analysis Practice Exam
 - User-Friendly Interface
4. Exploring eBook Recommendations from Circuit Analysis Practice Exam
 - Personalized Recommendations
 - Circuit Analysis Practice Exam User Reviews and Ratings
 - Circuit Analysis Practice Exam and Bestseller Lists
5. Accessing Circuit Analysis Practice Exam Free and Paid eBooks
 - Circuit Analysis Practice Exam Public Domain eBooks
 - Circuit Analysis Practice Exam eBook Subscription Services
 - Circuit Analysis Practice Exam Budget-Friendly Options

6. Navigating Circuit Analysis Practice Exam eBook Formats
 - ePub, PDF, MOBI, and More
 - Circuit Analysis Practice Exam Compatibility with Devices
 - Circuit Analysis Practice Exam Enhanced eBook Features
7. Enhancing Your Reading Experience
 - Adjustable Fonts and Text Sizes of Circuit Analysis Practice Exam
 - Highlighting and Note-Taking Circuit Analysis Practice Exam
 - Interactive Elements Circuit Analysis Practice Exam
8. Staying Engaged with Circuit Analysis Practice Exam
 - Joining Online Reading Communities
 - Participating in Virtual Book Clubs
 - Following Authors and Publishers Circuit Analysis Practice Exam
9. Balancing eBooks and Physical Books Circuit Analysis Practice Exam
 - Benefits of a Digital Library
 - Creating a Diverse Reading Collection Circuit Analysis Practice Exam
10. Overcoming Reading Challenges
 - Dealing with Digital Eye Strain
 - Minimizing Distractions
 - Managing Screen Time
11. Cultivating a Reading Routine Circuit Analysis Practice Exam
 - Setting Reading Goals Circuit Analysis Practice Exam
 - Carving Out Dedicated Reading Time
12. Sourcing Reliable Information of Circuit Analysis Practice Exam
 - Fact-Checking eBook Content of Circuit Analysis Practice Exam
 - Distinguishing Credible Sources
13. Promoting Lifelong Learning
 - Utilizing eBooks for Skill Development
 - Exploring Educational eBooks
14. Embracing eBook Trends
 - Integration of Multimedia Elements

- Interactive and Gamified eBooks

Circuit Analysis Practice Exam Introduction

In this digital age, the convenience of accessing information at our fingertips has become a necessity. Whether its research papers, eBooks, or user manuals, PDF files have become the preferred format for sharing and reading documents. However, the cost associated with purchasing PDF files can sometimes be a barrier for many individuals and organizations. Thankfully, there are numerous websites and platforms that allow users to download free PDF files legally. In this article, we will explore some of the best platforms to download free PDFs. One of the most popular platforms to download free PDF files is Project Gutenberg. This online library offers over 60,000 free eBooks that are in the public domain. From classic literature to historical documents, Project Gutenberg provides a wide range of PDF files that can be downloaded and enjoyed on various devices. The website is user-friendly and allows users to search for specific titles or browse through different categories. Another reliable platform for downloading Circuit Analysis Practice Exam free PDF files is Open Library. With its vast collection of over 1 million eBooks, Open Library has something for every reader. The website offers a seamless experience by providing options to borrow or download PDF files. Users simply need to create a free account to access this treasure trove of knowledge. Open Library also allows users to contribute by uploading and sharing their own PDF files, making it a collaborative platform for book enthusiasts. For those interested in academic resources, there are websites dedicated to providing free PDFs of research papers and scientific articles. One such website is Academia.edu, which allows researchers and scholars to share their work with a global audience. Users can download PDF files of research papers, theses, and dissertations covering a wide range of subjects. Academia.edu also provides a platform for discussions and networking within the academic community. When it comes to downloading Circuit Analysis Practice Exam free PDF files of magazines, brochures, and catalogs, Issuu is a popular choice. This digital publishing platform hosts a vast collection of publications from around the world. Users can search for specific titles or explore various categories and genres. Issuu offers a seamless reading experience with its user-friendly interface and allows users to download PDF files for offline reading. Apart from dedicated platforms, search engines also play a crucial role in finding free PDF files. Google, for instance, has an advanced search feature that allows users to filter results by file type. By specifying the file type as "PDF," users can find websites that offer free PDF downloads on a specific topic. While downloading Circuit Analysis Practice Exam free PDF files is convenient, its important to note that copyright laws must be respected. Always ensure that the PDF files you download are legally available for free. Many authors and publishers voluntarily provide free PDF versions of their work, but its essential to be cautious and verify the authenticity of the source before downloading Circuit Analysis Practice Exam. In conclusion, the internet offers numerous platforms and websites that allow users to download free PDF files legally. Whether its classic

literature, research papers, or magazines, there is something for everyone. The platforms mentioned in this article, such as Project Gutenberg, Open Library, Academia.edu, and Issuu, provide access to a vast collection of PDF files. However, users should always be cautious and verify the legality of the source before downloading Circuit Analysis Practice Exam any PDF files. With these platforms, the world of PDF downloads is just a click away.

FAQs About Circuit Analysis Practice Exam Books

1. Where can I buy Circuit Analysis Practice Exam books? Bookstores: Physical bookstores like Barnes & Noble, Waterstones, and independent local stores. Online Retailers: Amazon, Book Depository, and various online bookstores offer a wide range of books in physical and digital formats.
2. What are the different book formats available? Hardcover: Sturdy and durable, usually more expensive. Paperback: Cheaper, lighter, and more portable than hardcovers. E-books: Digital books available for e-readers like Kindle or software like Apple Books, Kindle, and Google Play Books.
3. How do I choose a Circuit Analysis Practice Exam book to read? Genres: Consider the genre you enjoy (fiction, non-fiction, mystery, sci-fi, etc.). Recommendations: Ask friends, join book clubs, or explore online reviews and recommendations. Author: If you like a particular author, you might enjoy more of their work.
4. How do I take care of Circuit Analysis Practice Exam books? Storage: Keep them away from direct sunlight and in a dry environment. Handling: Avoid folding pages, use bookmarks, and handle them with clean hands. Cleaning: Gently dust the covers and pages occasionally.
5. Can I borrow books without buying them? Public Libraries: Local libraries offer a wide range of books for borrowing. Book Swaps: Community book exchanges or online platforms where people exchange books.
6. How can I track my reading progress or manage my book collection? Book Tracking Apps: Goodreads, LibraryThing, and Book Catalogue are popular apps for tracking your reading progress and managing book collections. Spreadsheets: You can create your own spreadsheet to track books read, ratings, and other details.
7. What are Circuit Analysis Practice Exam audiobooks, and where can I find them? Audiobooks: Audio recordings of books, perfect for listening while commuting or multitasking. Platforms: Audible, LibriVox, and Google Play Books offer a wide selection of audiobooks.
8. How do I support authors or the book industry? Buy Books: Purchase books from authors or independent bookstores. Reviews: Leave reviews on platforms like Goodreads or Amazon. Promotion: Share your favorite books on social media

or recommend them to friends.

9. Are there book clubs or reading communities I can join? Local Clubs: Check for local book clubs in libraries or community centers. Online Communities: Platforms like Goodreads have virtual book clubs and discussion groups.
10. Can I read Circuit Analysis Practice Exam books for free? Public Domain Books: Many classic books are available for free as they're in the public domain. Free E-books: Some websites offer free e-books legally, like Project Gutenberg or Open Library.

Find Circuit Analysis Practice Exam :

for startups 79-1230 personal finance tips United States 79-2398

trends best practices for startups 79-2716 ecommerce trends blueprint

wearable technology step by step for entrepreneurs 79-1416 wearable

business examples USA 79-1265 online business examples United States

automation software for small business 79-1964 business automation step

growth apps for startups 79-66 YouTube growth best practices America

79-380 VPN services ideas for creators 79-2181 VPN services ideas for

marketing ideas United States 79-1644 digital marketing review USA

comparison America 79-25 healthy recipes comparison for entrepreneurs

interview tips software United States 79-2157 interview tips software

travel best practices United States 79-829 luxury travel best practices

improvement explained United States 79-1054 credit score improvement

79-1350 mobile app ideas apps America 79-2854 mobile app ideas apps

interview tips apps for creators 79-2964 interview tips apps for

79-893 retirement planning tips for entrepreneurs 79-677 retirement

Circuit Analysis Practice Exam :

united states history and government - Aug 27 2022

web regents exam in u s history and government regents exam in u s history and government the university of the state of new york regents

2014 in the united states wikipedia - Mar 22 2022

web the 2014 north american polar vortex hits the northern united states breaking coldest temperature records throughout the entire country 11 january 7 all 50 states in the

united states history and government conversion chart - Aug 07 2023

web regents examination in united states history and government june 2012 total essay score total essay score to determine the student s final score locate the student s total

new york regents examinations wikipedia - Feb 01 2023

web the regents exams in english language arts and algebra i were changed to incorporate the common core standards starting in june 2014 in june 2015 the regents exam in

june 2023 regents exam in united states history and - Jun 24 2022

web june 2023 regents exam in united states history and government framework chart for converting total test raw scores to final examination scores scale scores to

archive regents examination in united states history - Sep 08 2023

web regents examination in united states history and government 361 kb scoring key part i 20 kb scoring key part i and rating guide part ii thematic essay 640 kb rating

us history regents curve dev mabts edu - Mar 02 2023

web us history regents curve downloaded from dev mabts edu by guest reyna jamal anna ual report of the board of regents of the smithsonia institution thomas dunne

educator guide to the regents examination in united states - Dec 31 2022

web april 2014 the framework is intended to enrich pedagogy and student learning as a result of the adoption of the nys k 12 framework the new york state education department

information booklet for scoring regents examinations in global - Apr 22 2022

web the rating guide for the regents examination in united states history and government framework has been divided into two volumes the volume 1 rating guide contains a

2014 mlb season history major league baseball espn - Dec 19 2021

web 3 1 league divisional series san francisco giants defeated washington nationals 3 1 wild card game kansas city royals defeated oakland athletics 1 0 wild card game

june 2014 us history regents curve pdf api 2 crabplace - Nov 17 2021

web united states history and government regents examinations june 2014 us history regents answers bitofnews com password for nys united states history

2014 united states elections wikipedia - Feb 18 2022

web the 2014 united states elections were held on tuesday november 4 in june 2013 the supreme court invalidated part of the voting rights act of 1965 elected to the senate

information booklet for scoring regents examinations in united - Sep 27 2022

web the rating guide for the regents examination in united states history and government has been divided into two volumes the volume 1 scoring key and rating guide contains

June 2014 us history regents curve 2022 graph safehousetech - Jan 20 2022

web recipient of the american book award the first history of the united states told from the perspective of indigenous peoples today in the united states there are more than five

June 2014 us history regents curve vanessa ogle 2023 - May 24 2022

web the manner of some harmful virus inside their computer june 2014 us history regents curve is to hand in our digital library an online permission to it is set as public thus you

June 2014 us history regents curve download only - Apr 03 2023

web this regents us history 2014 june answers but end up in harmful downloads us history regents june 2014 answers yycdn truyenyy comthread password for nys united

united states history government regents framework - Oct 09 2023

web aug 31 2023 june 2023 regents examination in united states history and government framework regular size version 918 kb large type version 1 33 mb scoring key

regents prep framework ush exam new visions social - Oct 29 2022

web regents prep framework ush exam resources that can be used throughout the year to help prepare teachers and students for the new new york state us history and

us history and government new york regents june 2014 - Jun 05 2023

web home examinations nysed regents exams us history and govt us history and government new york regents june 2014 exam formats view examination paper

united states history and government framework - May 04 2023

web cancellation of the regents examination in united states history and government framework for june 2022 educator guide to the regents examination in united

archive regents examination in global history and geography - Nov 29 2022

web sep 6 2022 august 2014 regents examination in global history and geography 602 kb scoring key part i and rating guide part ii thematic essay 654 kb rating

scoring information new york state education department - Jul 26 2022

web for regents examination rating guides scoring keys conversation charts and important notices if any june 2023 regents examinations january 2023 regents

june 2014 us history regents curve pdf wrbb neu - Jul 06 2023

web june 2014 regents examination in united states history and government will be posted on the department's web site at p12 nysed.gov assessment on the day of the

rheinisch bergischer kalender 2020 jahrbuch für das - Mar 04 2022

web june 3rd 2020 rheinisch bergischer kalender 2012 jahrbuch für das bergische land herausgeber heider verlag bergisch gladbach isbn nr 978 3 87314 462 0 konzert im

rheinisch bergischer kalender 2020 jahrbuch für das - Feb 03 2022

web sep 27 2023 june 5th 2020 düsseldorf often dusseldorf in english sources uk d s l d r f u s german d s l d f low franconian and riparian düsseldörf d sl

rheinisch bergischer kalender rheinisch bergischer kreis - Aug 21 2023

web der rheinisch bergische kalender dessen 94 auflage in vorbereitung ist beinhaltet das traditionelle grußwort des landrates und wird durch seinen spendenaufwurf unterstützt

rheinisch bergischer kalender 2020 jahrbuch für das - Jan 02 2022

web rheinisch bergischer kalender 2020 jahrbuch für das bergische land by joh heider verlag gmbh rheinisch bergischer kalender 2020 jahrbuch für das bergische land

rheinisch bergischer kalender 2020 jahrbuch für das bergische - Sep 22 2023

web rheinisch bergischer kalender 2020 jahrbuch für das bergische land joh heider verlag gmbh isbn 9783947779093 kostenloser versand für alle bücher mit versand

rheinisch bergischer kalender bücher gebraucht - Jan 14 2023

web rheinisch bergischer kalender bücher gebraucht antiquarisch neu kaufen preisvergleich käuferschutz wir bücher der auftakt der eira sjödin trilogie

rheinisch bergischer kalender 2020 jahrbuch für d - Aug 09 2022

web rheinisch bergischer kalender 2020 jahrbuch für d 1 rheinisch bergischer kalender 2020 jahrbuch für d religious individualisation the german revolution 1917 1923

rheinisch bergischer kalender 2020 9783947779093 zvab - Apr 17 2023

web rheinisch bergischer kalender 2020 beim zvab.com isbn 10 3947779097 isbn 13 9783947779093 heider j softcover

rheinisch bergischer kalender 2020 jahrbuch für d copy - May 06 2022

web rheinisch bergischer kalender 2020 jahrbuch für d fractals quasicrystals chaos knots and algebraic quantum mechanics

the picture of dorian gray review of the

[rheinisch bergischer kalender wikipedia](#) - Mar 16 2023

web der rheinisch bergische kalender bis 1960 bergischer kalender ist das heimatjahrbuch für das bergische land die zahlreichen artikel in jeder ausgabe

rheinisch bergischer kalender 2020 jahrbuch für d uniport edu - Apr 05 2022

web rheinisch bergischer kalender 2020 jahrbuch für d 2 7 downloaded from uniport edu ng on september 2 2023 by guest authentic german beers and follow the processes that

rheinisch bergischer kalender 2020 herausgegeben joh - Jun 19 2023

web jahrbuch für das bergische land book hardcover herausgegeben joh heider verlag gmbh 296 pages

rheinisch bergischer kalender 2020 jahrbuch für d copy - Feb 15 2023

web oct 17 2023 transformative change is truly awe inspiring enter the realm of rheinisch bergischer kalender 2020 jahrbuch für d a mesmerizing literary masterpiece

rheinisch bergischer kalender 2020 jahrbuch für das - Oct 23 2023

web june 3rd 2020 rheinisch bergischer kalender 2012 jahrbuch für das bergische land herausgeber heider verlag bergisch gladbach isbn nr 978 3 87314 462 0 konzert im

rheinisch bergischer kalender 2020 zvb - Jul 20 2023

web rheinisch bergischer kalender 2020 jahrbuch für das bergische land jahrbuch für das bergische land von joh heider verlag gmbh und eine große auswahl ähnlicher

[free rheinisch bergischer kalender 2020 jahrbuch für d](#) - Jun 07 2022

web rheinisch bergischer kalender 2020 jahrbuch für d jungfrau kalender 2020 feb 24 2023 starte das neue jahr mit deinem horoskop planer studentenplaner

[rheinisch bergischer kalender 2020 jahrbuch für d pdf](#) - Dec 13 2022

web jan 16 2023 rheinisch bergischer kalender 2020 jahrbuch für d 1 8 downloaded from kelliemay com on january 16 2023 by guest rheinisch bergischer kalender

rheinisch bergischer kalender 2020 fachbuch bücher de - May 18 2023

web jahrbuch für das bergische land 100 jahre 1920 2020 stöbern sie im onlineshop von buecher de und kaufen sie ihre artikel versandkostenfrei und ohne mindestbestellwert

download solutions rheinisch bergischer kalender 2020 - Oct 11 2022

web rheinisch bergischer kalender 2020 jahrbuch für d nordrhein westflische bibliographie may 01 2020 krschners deutscher literatur kalender auf das jahr oct 18 2021

[rheinisch bergischer kalender 2020 jahrbuch fur d](#) - Nov 12 2022

web rheinisch bergischer kalender 2020 jahrbuch fur d downloaded from mail thekingiscoming com by guest marshall hailie
das deutsche element der

rheinisch bergischer kalender 2020 jahrbuch für das - Sep 10 2022

web jun 20 2023 we reimburse for rheinisch bergischer kalender 2020 jahrbuch für das bergische land by joh heider verlag
gmbh and abundant books assortments from fictions

[rheinisch bergischer kalender 2020 jahrbuch fur d](#) - Jul 08 2022

web rheinisch bergischer kalender 2020 jahrbuch fur d 1 rheinisch bergischer kalender 2020 jahrbuch fur d stefan zweig
fractals quasicrystals chaos knots and algebraic

women who love too much 2008 edition open library - Sep 22 2022

web women who love too much by robin norwood 2008 penguin random house edition in english

[women who love too much english edition kindle edition amazon de](#) - Mar 29 2023

web women who love too much english edition ebook norwood robin amazon de kindle store really brilliant it explained why
women seek completion by obsessing over men i absolutely related to it marian keyes a life changing book for women highly
recommended this text refers to the

[women who love too much kindle edition amazon co uk](#) - Nov 24 2022

web women who love too much kindle edition by robin norwood author format kindle edition 4 6 4 846 ratings see all formats
and editions kindle edition 2 99 read with our free app hardcover 13 01 7 used from 13 01 4 new from 45 89 1

women who love too much kindle edition amazon com - Jul 01 2023

web may 1 1985 this is the world renowned inspiring practical program for women who believe that being in love means
being in pain a multi million copy bestseller women who love too much presents a clear comprehensive 10 point recovery
plan for women who are addicted to the wrong men for the wrong reasons

paperback april 8 2008 amazon com - Apr 29 2023

web apr 8 2008 women who love too much when you keep wishing and hoping he ll change paperback april 8 2008 by robin
norwood author 4 6 4 6 out of 5 stars 5 105 ratings

women who love too much by robin norwood open library - Apr 17 2022

web oct 1 1990 an edition of women who love too much 1985 mass market paperback in english 0671733419
9780671733414 aaaa preview only libraries near you worldcat 2 women who love too much february 2 1987 pocket
paperback in english 0671645412 9780671645410

[women who love too much kindle edition amazon ca](#) - Jan 27 2023

web may 1 1985 audible sample follow the author robin norwood women who love too much kindle edition by robin norwood author format kindle edition 4 6 4 805 ratings see all formats and editions kindle edition 16 99 read with our free app audiobook 0 00 free with your audible trial

download women who love too much by robin norwood - May 19 2022

web women who love too much 352 pages 2008 the man who knew too much 2012 the reporter who knew too much 2017 2016 women who love psychopaths 265 pages 2009 women who love sex 1995 women who love men who kill 2014 too much how victorian constraints still bind women today 352 pages 2020 women

women who love too much by robin norwood ebook scribd - Jun 19 2022

web a multi million copy bestseller women who love too much presents a clear comprehensive language english publisher penguin group release date may 1 1985 isbn 9781101222416 unavailable share 25th anniversary edition the hidden curriculum of compulsory schooling ebook

women who love too much by robin norwood 9781101222416 - Oct 04 2023

web a multi million copy bestseller this is the world renowned inspiring practical program for women who believe that being in love means being in pain a multi million copy bestseller women who love too much presents a clear skip to main content press enter we know what book you should read next books kids popular authors events

women who love too much when you keep wishing and - Aug 22 2022

web amazon com women who love too much when you keep wishing and hoping he ll change audible audio edition robin norwood ellen archer penguin audio audible books originals

women who love too much robin norwood google books - Oct 24 2022

web apr 8 2008 the 1 new york times bestseller that asks are you a woman who loves too much do you find yourself attracted again and again to troubled distant moody men while nice guys seem

women who love too much robin norwood google books - May 31 2023

web nov 27 2014 robin norwood random house nov 27 2014 family relationships 320 pages the international no 1 bestseller helping millions of women find healthier relationships a life changing book

women who love too much penguin books uk - Aug 02 2023

web many women are repeatedly drawn into unhappy and destructive relationships and then struggle to make these doomed relationships work in this bestselling psychology book leading relationship and marriage therapist robin norwood reveals why we get into unhealthy relationships and how powerfully addictive they are and shares her effective

women who love too much when you keep wishing and hoping he - Dec 26 2022

web kindle edition 15 99 read with our free app audiobook 0 00 free with your audible trial is having somebody to love the

most important thing in your life do you constantly believe that with the right man you would no longer feel depressed or lonely are you bored with nice guys who are open honest and dependable

[women who love too much by robin norwood open library](#) - Mar 17 2022

web sep 22 2023 april 1 2008 created by an anonymous user imported from scriblio marc record women who love too much by robin norwood 1985 j p tarcher distributed by st martin s press edition in english 1st ed

pdf epub women who love too much when you keep - Feb 13 2022

web feb 17 2023 original title isbn 9780671733414 and asin b00zvo4pmo published on january 1 1985 in edition language english get full ebook file name women who love too much robin norwood pdf epub format complete free genres feminism nonfiction personal development psychology relationships self

[women who love too much robin norwood archive org](#) - Sep 03 2023

web women who love too much robin norwood free download borrow and streaming internet archive by robin norwood publication date 1985 topics women psychology love psychological aspects alcoholics family relationships publisher pocket books collection printdisabled internetarchivebooks contributor internet archive

[women who love too much wikipedia](#) - Jul 21 2022

web women who love too much is a self help book by licensed marriage and family therapist robin norwood published in 1985 the book which was a number one seller on the new york times best seller list s advice and miscellaneous category in 1987 1 is credited with spawn ing a cottage industry in the therapy community

women who love too much amazon ca - Feb 25 2023

web apr 8 2008 robin norwood is also the author of letters from women who love too much daily meditations for women who love too much illustrated by richard torregrossa and why a guide to answering life s toughest questions there are more than three million copies in print worldwide of her 1 bestseller women who love too