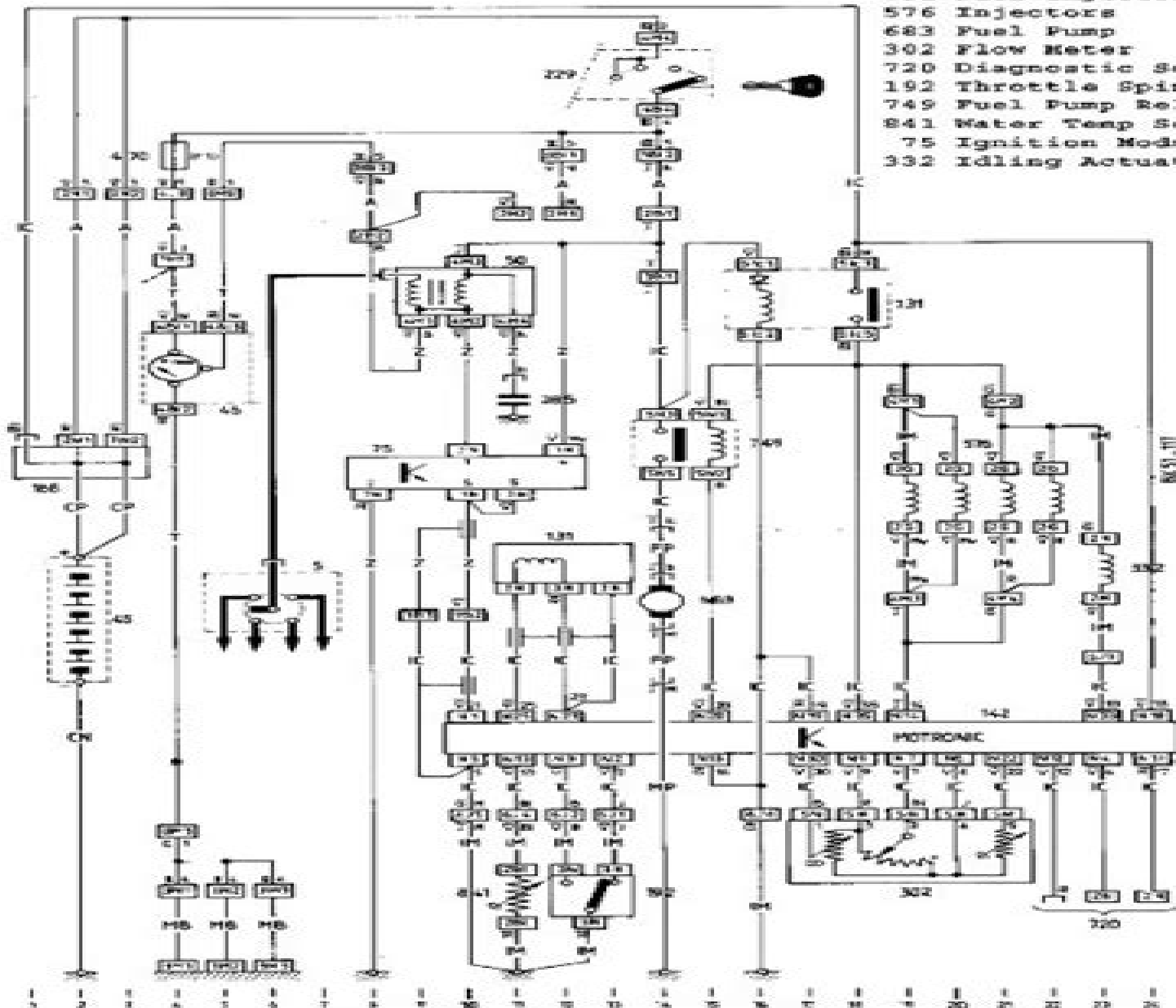


- 131 Ignition Sensor
- 731 Fuel Injector Relay
- 536 Injectors
- 683 Fuel Pump
- 302 Flow Meter
- 720 Diagnostic Socket
- 193 Throttle Spindle Switch
- 749 Fuel Pump Relay
- 841 Water Temp Sensor
- 79 Ignition Module
- 303 Idling Actuator



RM 51.111

Citroen Relay 05 Engine Diagram

Yan Bai



Citroen Relay 05 Engine Diagram:

As recognized, adventure as skillfully as experience very nearly lesson, amusement, as well as arrangement can be gotten by just checking out a book **Citroen Relay 05 Engine Diagram** furthermore it is not directly done, you could believe even more concerning this life, approximately the world.

We provide you this proper as competently as easy mannerism to get those all. We have enough money Citroen Relay 05 Engine Diagram and numerous ebook collections from fictions to scientific research in any way. accompanied by them is this Citroen Relay 05 Engine Diagram that can be your partner.

<https://py.bijouxmedusa.com/book/browse/fetch.php/Exercices%20De%20Musclation%20Pour%20Les%20Nuls%20Pdf%20Download.pdf>

Table of Contents Citroen Relay 05 Engine Diagram

1. Understanding the eBook Citroen Relay 05 Engine Diagram
 - The Rise of Digital Reading Citroen Relay 05 Engine Diagram
 - Advantages of eBooks Over Traditional Books
2. Identifying Citroen Relay 05 Engine Diagram
 - Exploring Different Genres
 - Considering Fiction vs. Non-Fiction
 - Determining Your Reading Goals
3. Choosing the Right eBook Platform
 - Popular eBook Platforms
 - Features to Look for in an Citroen Relay 05 Engine Diagram
 - User-Friendly Interface
4. Exploring eBook Recommendations from Citroen Relay 05 Engine Diagram
 - Personalized Recommendations
 - Citroen Relay 05 Engine Diagram User Reviews and Ratings
 - Citroen Relay 05 Engine Diagram and Bestseller Lists

5. Accessing Citroen Relay 05 Engine Diagram Free and Paid eBooks
 - Citroen Relay 05 Engine Diagram Public Domain eBooks
 - Citroen Relay 05 Engine Diagram eBook Subscription Services
 - Citroen Relay 05 Engine Diagram Budget-Friendly Options
6. Navigating Citroen Relay 05 Engine Diagram eBook Formats
 - ePub, PDF, MOBI, and More
 - Citroen Relay 05 Engine Diagram Compatibility with Devices
 - Citroen Relay 05 Engine Diagram Enhanced eBook Features
7. Enhancing Your Reading Experience
 - Adjustable Fonts and Text Sizes of Citroen Relay 05 Engine Diagram
 - Highlighting and Note-Taking Citroen Relay 05 Engine Diagram
 - Interactive Elements Citroen Relay 05 Engine Diagram
8. Staying Engaged with Citroen Relay 05 Engine Diagram
 - Joining Online Reading Communities
 - Participating in Virtual Book Clubs
 - Following Authors and Publishers Citroen Relay 05 Engine Diagram
9. Balancing eBooks and Physical Books Citroen Relay 05 Engine Diagram
 - Benefits of a Digital Library
 - Creating a Diverse Reading Collection Citroen Relay 05 Engine Diagram
10. Overcoming Reading Challenges
 - Dealing with Digital Eye Strain
 - Minimizing Distractions
 - Managing Screen Time
11. Cultivating a Reading Routine Citroen Relay 05 Engine Diagram
 - Setting Reading Goals Citroen Relay 05 Engine Diagram
 - Carving Out Dedicated Reading Time
12. Sourcing Reliable Information of Citroen Relay 05 Engine Diagram
 - Fact-Checking eBook Content of Citroen Relay 05 Engine Diagram
 - Distinguishing Credible Sources
13. Promoting Lifelong Learning

- Utilizing eBooks for Skill Development
 - Exploring Educational eBooks
14. Embracing eBook Trends
- Integration of Multimedia Elements
 - Interactive and Gamified eBooks

Citroen Relay 05 Engine Diagram Introduction

In today's digital age, the availability of Citroen Relay 05 Engine Diagram books and manuals for download has revolutionized the way we access information. Gone are the days of physically flipping through pages and carrying heavy textbooks or manuals. With just a few clicks, we can now access a wealth of knowledge from the comfort of our own homes or on the go. This article will explore the advantages of Citroen Relay 05 Engine Diagram books and manuals for download, along with some popular platforms that offer these resources. One of the significant advantages of Citroen Relay 05 Engine Diagram books and manuals for download is the cost-saving aspect. Traditional books and manuals can be costly, especially if you need to purchase several of them for educational or professional purposes. By accessing Citroen Relay 05 Engine Diagram versions, you eliminate the need to spend money on physical copies. This not only saves you money but also reduces the environmental impact associated with book production and transportation. Furthermore, Citroen Relay 05 Engine Diagram books and manuals for download are incredibly convenient. With just a computer or smartphone and an internet connection, you can access a vast library of resources on any subject imaginable. Whether you're a student looking for textbooks, a professional seeking industry-specific manuals, or someone interested in self-improvement, these digital resources provide an efficient and accessible means of acquiring knowledge. Moreover, PDF books and manuals offer a range of benefits compared to other digital formats. PDF files are designed to retain their formatting regardless of the device used to open them. This ensures that the content appears exactly as intended by the author, with no loss of formatting or missing graphics. Additionally, PDF files can be easily annotated, bookmarked, and searched for specific terms, making them highly practical for studying or referencing. When it comes to accessing Citroen Relay 05 Engine Diagram books and manuals, several platforms offer an extensive collection of resources. One such platform is Project Gutenberg, a nonprofit organization that provides over 60,000 free eBooks. These books are primarily in the public domain, meaning they can be freely distributed and downloaded. Project Gutenberg offers a wide range of classic literature, making it an excellent resource for literature enthusiasts. Another popular platform for Citroen Relay 05 Engine Diagram books and manuals is Open Library. Open Library is an initiative of the Internet Archive, a non-profit organization dedicated to digitizing cultural artifacts and making them accessible to the public. Open Library hosts millions of books, including both public domain works and contemporary

titles. It also allows users to borrow digital copies of certain books for a limited period, similar to a library lending system. Additionally, many universities and educational institutions have their own digital libraries that provide free access to PDF books and manuals. These libraries often offer academic texts, research papers, and technical manuals, making them invaluable resources for students and researchers. Some notable examples include MIT OpenCourseWare, which offers free access to course materials from the Massachusetts Institute of Technology, and the Digital Public Library of America, which provides a vast collection of digitized books and historical documents. In conclusion, Citroen Relay 05 Engine Diagram books and manuals for download have transformed the way we access information. They provide a cost-effective and convenient means of acquiring knowledge, offering the ability to access a vast library of resources at our fingertips. With platforms like Project Gutenberg, Open Library, and various digital libraries offered by educational institutions, we have access to an ever-expanding collection of books and manuals. Whether for educational, professional, or personal purposes, these digital resources serve as valuable tools for continuous learning and self-improvement. So why not take advantage of the vast world of Citroen Relay 05 Engine Diagram books and manuals for download and embark on your journey of knowledge?

FAQs About Citroen Relay 05 Engine Diagram Books

How do I know which eBook platform is the best for me? Finding the best eBook platform depends on your reading preferences and device compatibility. Research different platforms, read user reviews, and explore their features before making a choice. Are free eBooks of good quality? Yes, many reputable platforms offer high-quality free eBooks, including classics and public domain works. However, make sure to verify the source to ensure the eBook credibility. Can I read eBooks without an eReader? Absolutely! Most eBook platforms offer webbased readers or mobile apps that allow you to read eBooks on your computer, tablet, or smartphone. How do I avoid digital eye strain while reading eBooks? To prevent digital eye strain, take regular breaks, adjust the font size and background color, and ensure proper lighting while reading eBooks. What the advantage of interactive eBooks? Interactive eBooks incorporate multimedia elements, quizzes, and activities, enhancing the reader engagement and providing a more immersive learning experience. Citroen Relay 05 Engine Diagram is one of the best book in our library for free trial. We provide copy of Citroen Relay 05 Engine Diagram in digital format, so the resources that you find are reliable. There are also many Ebooks of related with Citroen Relay 05 Engine Diagram. Where to download Citroen Relay 05 Engine Diagram online for free? Are you looking for Citroen Relay 05 Engine Diagram PDF? This is definitely going to save you time and cash in something you should think about. If you trying to find then search around for online. Without a doubt there are numerous these available and many of them have the freedom. However without doubt you receive whatever you purchase. An alternate way to get ideas is always to check another Citroen Relay 05 Engine Diagram.

This method for see exactly what may be included and adopt these ideas to your book. This site will almost certainly help you save time and effort, money and stress. If you are looking for free books then you really should consider finding to assist you try this. Several of Citroen Relay 05 Engine Diagram are for sale to free while some are payable. If you arent sure if the books you would like to download works with for usage along with your computer, it is possible to download free trials. The free guides make it easy for someone to free access online library for download books to your device. You can get free download on free trial for lots of books categories. Our library is the biggest of these that have literally hundreds of thousands of different products categories represented. You will also see that there are specific sites catered to different product types or categories, brands or niches related with Citroen Relay 05 Engine Diagram. So depending on what exactly you are searching, you will be able to choose e books to suit your own need. Need to access completely for Campbell Biology Seventh Edition book? Access Ebook without any digging. And by having access to our ebook online or by storing it on your computer, you have convenient answers with Citroen Relay 05 Engine Diagram To get started finding Citroen Relay 05 Engine Diagram, you are right to find our website which has a comprehensive collection of books online. Our library is the biggest of these that have literally hundreds of thousands of different products represented. You will also see that there are specific sites catered to different categories or niches related with Citroen Relay 05 Engine Diagram So depending on what exactly you are searching, you will be able to choose ebook to suit your own need. Thank you for reading Citroen Relay 05 Engine Diagram. Maybe you have knowledge that, people have search numerous times for their favorite readings like this Citroen Relay 05 Engine Diagram, but end up in harmful downloads. Rather than reading a good book with a cup of coffee in the afternoon, instead they juggled with some harmful bugs inside their laptop. Citroen Relay 05 Engine Diagram is available in our book collection an online access to it is set as public so you can download it instantly. Our digital library spans in multiple locations, allowing you to get the most less latency time to download any of our books like this one. Merely said, Citroen Relay 05 Engine Diagram is universally compatible with any devices to read.

Find Citroen Relay 05 Engine Diagram :

exercices de musculation pour les nuls pdf download

[Exhibitor manual consumer electronics show](#)

[evan p silberstein 2002 answers](#)

[escala facultativa superior web oficial de la guardia civil](#)

[extemporaneous compounding guidelines](#)

[factors influencing employee turnover intention the case](#)

extreme ownership how us navy seals lead and win by jocko willink and leif babin key takeaways analysis review

[essentials of psychology 6th edition bernstein](#)

[essentials of investments 9th edition solutions](#)

europa secondary surveillance radar sdr code

[fanuc maintenance manual robot 16](#)

explaining english grammar oxford handbooks for language teachers series

excel capex opex cost analysis template

[exam fever study guide grade 12](#)

[exceptionalism and the politics of counter terrorism liberty security and the war on terror routledge studies in liberty and security](#)

Citroen Relay 05 Engine Diagram :

[chemistry a molecular approach nivaldo j tro google books](#) - May 12 2023

web chemistry is presented visually through multi level images macroscopic molecular and symbolic representations helping you see the connections among the formulas

chemistry a molecular approach by nivaldo j tro goodreads - Dec 27 2021

web sep 8 2023 bookmark file chemistry a molecular approach 2nd us edition nivaldo j tro free download pdf map a molecular approach tro chemistry libretxts chemistry

bookmark file chemistry a molecular approach 2nd us edition - Sep 23 2021

chemistry a molecular approach 4th edition tro - Feb 26 2022

web jul 15 2020 chemistry a molecular approach presents chemistry visually through multi level images macroscopic molecular and symbolic representations to help

[mastering chemistry for chemistry a molecular](#) - Dec 07 2022

web jan 17 2010 buy mastering chemistry for chemistry a molecular approach 2nd edition on amazon com free shipping on qualified orders mastering chemistry for

map a molecular approach tro chemistry libretxts - Aug 15 2023

web a general chemistry textmap constructed to supplant nivaldo tro s textbook chemistry a molecular approach front matter 1 matter measurement and problem solving 2

[chemistry a molecular approach rent 9780321651785](#) - Oct 05 2022

web jan 1 2014 chemistry a molecular approach paperback jan 1 2014 by tro author fridgen author shaw author 0 more 4 4

4 4 out of 5 stars 517 ratings

chemistry a molecular approach tro fridgen shaw - Sep 04 2022

web chemistry a molecular approach solutions for chemistry a molecular approach 2nd nivaldo j tro get access to all of the answers and step by step video explanations to

chemistry a molecular approach 6th edition etextbook - Aug 23 2021

solutions for chemistry a molecular approach 2nd numerade - Aug 03 2022

web mar 31 2022 nivaldo j tro santa barbara city college best value etextbook mo print 74 99 mastering from 79 99 pearson subscription pay monthly or pay undefined

chemistry a molecular approach 2nd us edition by nivaldo j tro - Mar 30 2022

web mar 1 2011 actively engage students to become expert problem solvers and critical thinkers nivaldo tro s a molecular approach presents chemistry visually through multi

principles of chemistry a molecular approach 2nd edition - Feb 09 2023

web jan 1 2012 adapted from nivaldo j tro s best selling general chemistry book principles of chemistry a molecular approach focuses exclusively on the core concepts of

chemistry a molecular approach 2nd us edition - Jul 14 2023

web jan 15 2010 buy chemistry a molecular approach 2nd us edition on amazon com free shipping on qualified orders

chemistry a molecular approach pearson - Jun 01 2022

web download chemistry a molecular approach 2nd us edition pdf read online chemistry a molecular approach 2nd us edition pdf chemistry a

chemistry a molecular approach 2nd edition tro - Jun 13 2023

web jan 5 2010 chemistry is presented visually through multi level images macroscopic molecular and symbolic representations helping you see the connections among the

chemistry a molecular approach with masteringchemistry 2nd - Apr 30 2022

web jul 15 2020 nivaldo j tro santa barbara city college best value etextbook mo print from 74 66 mastering from 79 99 pearson subscription 18 weeks for

chemistry a molecular approach 2nd edition powell s books - Jan 08 2023

web nivaldo j tro s chemistry a molecular approach 2 e explains difficult chemical concepts in a concise and clear student centered manner while also providing faculty

principles of chemistry a molecular approach google books - Mar 10 2023

web feb 27 2012 adapted from nivaldo j tro s best selling general chemistry book principles of chemistry a molecular approach focuses exclusively on the core

chemistry a molecular approach canadian edition pearson - Oct 25 2021

chemistry a molecular approach nivaldo j tro google books - Apr 11 2023

web jan 28 2019 nivaldo tro s chemistry a molecular approach presents chemistry visually through multi level images macroscopic molecular and symbolic

chemistry a molecular approach with - Jul 02 2022

web may 18 2018 this instructor s resource manual or irm provides information from and about nivaldo tro s chemistry a molecular approach 2nd edition from other sources

[chemistry a molecular approach 5th edition pearson](#) - Jan 28 2022

web jan 4 2022 24 month access mastering chemistry with pearson etext for chemistry a molecular approach canadian edition isbn 13 9780136474708 published 2022

chemistry a molecular approach 5th edition etextbook - Nov 25 2021

web apr 1 2022 chemical bonding ii molecular shapes valence bond theory and molecular orbital theory liquids solids and intermolecular forces solids and modern

chemistry a molecular approach 2nd us edition - Nov 06 2022

web jan 5 2010 coupon rent chemistry a molecular approach 2nd edition 9780321651785 and save up to 80 on textbook rentals and 90 on used textbooks

billy buddy tome 1 remember this buddy 01 full pdf - Apr 22 2022

web billy buddy tome 1 remember this buddy 01 omb no edited by lisa giada billboard simon and schuster in its 114th year billboard remains the world s premier weekly music publication and a diverse digital events brand content and data licensing platform billboard publishes the most trusted charts and offers unrivaled reporting about the

billy buddy tome 1 remember this buddy 01 pdf wrbb neu - Jun 24 2022

web billy buddy tome 1 remember this buddy 01 2021 03 05 rocco yadira billboard harmony the basic text for alcoholics anonymous billboard chelsea green publishing in its 114th year billboard remains the world s premier weekly music publication and a diverse digital events brand content and data licensing

billy buddy tome 1 remember this buddy 01 amazon fr - Oct 09 2023

web 01 broché 2 juillet 2009 Édition en anglais de roba auteur 4 9 41 évaluations fait partie de billy buddy afficher tous les formats et éditions format kindle 4 99 lisez avec notre appli gratuite broché 9 90 8 autres d occasion 12

billy buddy tome 1 remember this buddy fnac - May 04 2023

web billy and buddy tome 01 billy buddy tome 1 remember this buddy jean roba cinebook des milliers de livres avec la livraison chez vous en 1 jour ou en magasin avec 5 de réduction

billy buddy tome 1 remember this buddy 01 remember this billy - Apr 03 2023

web billy buddy tome 1 remember this buddy 01 remember this billy roba amazon nl boeken ga naar primaire content nl hallo bestemming kiezen alle selecteer de afdeling waarin je wilt zoeken zoeken amazon nl nl hallo inloggen account en lijsten retourzendingen en

billy buddy tome 1 remember this buddy 01 2022 stage gapinc - May 24 2022

web billy buddy tome 1 remember this buddy 01 downloaded from stage gapinc com by guest singleton powell mr penumbra s 24 hour bookstore simon and schuster tikki tikki tembo no sa rembo chari bari ruchi pip peri pembo three decades and more than one million copies later children still love hearing about the boy with the long name who fell

billy buddy tome 1 remember this buddy 01 by roba - Jul 26 2022

web grateful dead live at swing auditorium on 1977 02 26 billy and buddy m bedetheque billy amp buddy tome 1 remember this buddy jean roba old time fiddle tunes these 20 people are the inspirations behind some of the resident evil 0 mod modding pack 1 gumroad the character of herman e calloway in bud not buddy from billy

billy buddy volume 1 remember this buddy apple books - Jul 06 2023

web jun 10 2013 billy is a normal 7 year old growing up in a normal family in a normal town his best friend is a cocker spaniel named buddy who is not so normal he can make himself understood by humans without words and can talk to other animals buddy s best friend is the family s tortoise caroline together

[billy buddy tome 1 remember this buddy 01 pdf uniport edu](#) - Feb 18 2022

web as this billy buddy tome 1 remember this buddy 01 it ends going on creature one of the favored ebook billy buddy tome 1 remember this buddy 01 collections that we have this is why you remain in the best website to see the incredible books to have the complete hate peter bagge 2020 11 24 the complete hate is a three volume

[billy buddy tome 1 remember this buddy 01 abebooks](#) - Mar 02 2023

web billy buddy tome 1 remember this buddy 01 de roba sur abebooks fr isbn 10 1905460910 isbn 13 9781905460915 cinebook 2009 couverture souple

télécharger billy buddy tome 1 remember this buddy 01 - Aug 27 2022

web télécharger ou lisez le livre billy buddy tome 1 remember this buddy 01 de han au format pdf et epub ici vous pouvez télécharger gratuitement tous les livres au format pdf ou epub utilisez le bouton disponible sur cette page pour

[billy buddy vol 1 remember this buddy alibris](#) - Feb 01 2023

web buddy is a normal 7 year old growing up in a normal family in a normal town his best friend is a cocker spaniel named billy who is not so normal he can make himself understood by humans without words and can talk to other animals billy s best friend is the family s tortoise caroline together billy and buddy get up to all sorts of mischief

billy buddy 1 remember this buddy issue comic vine - Jun 05 2023

web remember this buddy last edited by hoobson on 12 30 22 03 59pm view full history billy is a normal 7 year old growing up in a normal family in a normal town

billy buddy tome 1 remember this buddy jean roba - Oct 29 2022

web jul 1 2009 billy buddy tome 1 remember this buddy de jean roba Éditeur 9th cinebook livraison gratuite à 0 01 dès 35 d achat librairie decitre votre prochain livre est là apparemment javascript est désactivé sur votre navigateur

billy buddy tome 1 remember this buddy 01 pdf - Sep 27 2022

web we pay for billy buddy tome 1 remember this buddy 01 and numerous ebook collections from fictions to scientific research in any way in the midst of them is this billy buddy tome 1 remember this buddy 01 that can be your partner billy buddy tome 1 remember this buddy 01 downloaded from cybersmash io by guest booker

billy buddy tome 1 remember this buddy 01 remember this billy - Sep 08 2023

web select the department you want to search in

billy buddy vol 1 remember this billy 01 paperback - Aug 07 2023

web buy billy buddy vol 1 remember this billy 01 01 by jean roba jean roba isbn 9781905460915 from amazon s book store everyday low prices and free delivery on eligible orders

billy buddy vol 1 remember this buddy alibris - Dec 31 2022

web buddy is a normal 7 year old growing up in a normal family in a normal town his best friend is a cocker spaniel named billy who is not so normal he can make himself understood by humans without words and can talk to other animals billy s best friend is the family s tortoise caroline together billy and buddy get up to all sorts of mischief

billy buddy tome 1 remember this buddy 01 download only - Mar 22 2022

web billy buddy tome 1 remember this buddy 01 downloaded from protese odontocompany com by guest brynn devin billboard kensington books in its 114th year billboard remains the world s premier weekly music publication and a diverse digital events brand content and data licensing platform billboard publishes the most

billy buddy 1 remember this buddy cinebook co uk - Nov 29 2022

web 1 remember this buddy paperback authors jean roba age 8 years and up size 21 7 x 28 7 cm number of pages 48 colour pages publication june 2009 billy is a normal 7 year old growing up in a normal family in a normal

el truco de coger un vuelo a una ciudad fantasma para ahorrar - Oct 24 2021

web pura vida travel agency es una agencia del turismo constituida por personas profesionales dedicadas al turismo cuya principal misión es la satisfacción del cliente

el viaje de tu vida prácticos iberlibro com - Jun 12 2023

web el viaje de tu vida prácticos de galán bertrand lucía en iberlibro com isbn 10 8408184806 isbn 13 9788408184805 editorial planeta 2018 tapa blanda

el viaje de tu vida prácticos siglo xxi libro de bolsillo amazon es - Apr 10 2023

web apr 10 2018 cuando decides dar el paso de convertirte en madre o en padre probablemente te encuentres en uno de los momentos más dulces de toda tu vida

el viaje de tu vida prácticos versión kindle amazon es - Jul 13 2023

web cuando decides dar el paso de convertirte en madre o en padre probablemente te encuentres en uno de los momentos más dulces de toda tu vida abres la maleta que

el viaje de tu vida prácticos edición kindle amazon com mx - Nov 05 2022

web select the department you want to search in

el viaje de tu vida prácticos siglo xxi amazon de - Oct 04 2022

web abres la maleta que te va a acompañar a lo largo de todo el viaje y la comienzas a completar de sueños por cumplir de proyectos y de amor de mucho amor y en esa

descarga el viaje de tu vida prácticos gratis en epub - Sep 03 2022

web prácticos el viaje de tu vida cuando decides dar el paso de convertirte en madre o en padre probablemente te encuentres en uno de los momentos más prácticos el viaje

pura vida travel agency tours por turquía viajes a turquía - Sep 22 2021

web el viaje de tu vida prácticos galán bertrand lucía amazon es libros selecciona tus preferencias de cookies utilizamos cookies y herramientas similares que son

el viaje de tu vida prácticos spanish edition kindle - Mar 09 2023

web apr 1 2018 el viaje de tu vida prácticos galán bertrand lucía amazon de books skip to main content de hello select your address all en hello sign in account lists

el viaje de tu vida prácticos dulces sueños bebé - May 31 2022

web read the latest magazines about pdf el viaje de tu vida and discover magazines on yumpu com es english deutsch français español português italiano român

el viaje de tu vida prácticos spanish edition edición kindle - Jan 07 2023

web el viaje de tu vida prácticos galán bertrand lucía isbn 9788408184805 kostenloser versand für alle bücher mit versand

und verkauf duch amazon

[el viaje de tu vida prácticos taschenbuch 1 april 2018](#) - Dec 06 2022

web el viaje de tu vida prácticos ebook bertrand lucía galán amazon com mx tienda kindle

descargar el viaje de tu vida prácticos de lucía galán bertrand - Feb 25 2022

web reseña del editor cuando decides dar el paso de convertirte en madre o en padre probablemente te encuentres en uno de los momentos más dulces de toda tu vida

[el viaje de tu vida prácticos paperback 1 april 2018 amazon de](#) - Feb 08 2023

web amazon com el viaje de tu vida prácticos spanish edition ebook bertrand lucía galán tienda kindle

prácticos el viaje de tu vida ebook lucía galán bertrand - Aug 02 2022

web apr 10 2018 select the department you want to search in

el viaje de tu vida prácticos spanish edition kindle edition - Jul 01 2022

web cuando decides dar el paso de convertirte en madre o en padre probablemente te encuentres en uno de los momentos más dulces de toda tu vida

el viaje de tu vida prácticos tapa blanda 10 abril 2018 - Aug 22 2021

[majo elviajedetuvida el viajedetuvida instagram](#) - Dec 26 2021

web destinos podéis consultar todas las guías consejos rutas y diarios de viaje de todos los destinos que hemos tenido el placer de conocer y disfrutar a lo largo de estos años

libro el viaje de tu vida prácticos - Jan 27 2022

web 83k followers 1 213 following 1 767 posts see instagram photos and videos from majo elviajedetuvida el viajedetuvida

pdf el viaje de tu vida yumpu - Apr 29 2022

web el viaje de tu vida prácticos siglo xxi galán bertrand lucía isbn 9788408276944 kostenloser versand für alle bücher mit versand und verkauf duch amazon

el viaje de tu vida destinos de viaje - Nov 24 2021

web 6 hours ago cuando llegues a la ciudad fantasma aprovecha esa escala para explorarla brevemente o simplemente espera tu próximo vuelo esta es la parte clave del truco

el viaje de tu vida prácticos siglo xxi taschenbuch amazon de - Mar 29 2022

web feb 26 2021 download el viaje de tu vida prácticos de lucía galán bertrand ebooks pdf epub el viaje de tu vida prácticos pdf libro lee ahora descargar el viaje de

descargar el viaje de tu vida lucía galán bertrand inicio - May 11 2023

web el viaje de tu vida prácticos siglo xxi galán bertrand lucía amazon es libros

el viaje de tu vida prácticos tapa blanda 10 abril 2018 - Aug 14 2023

web cuando decides dar el paso de convertirte en madre o en padre probablemente te encuentres en uno de los momentos más dulces de toda tu vida abres la maleta que