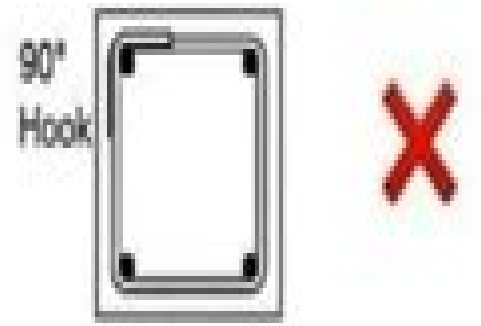
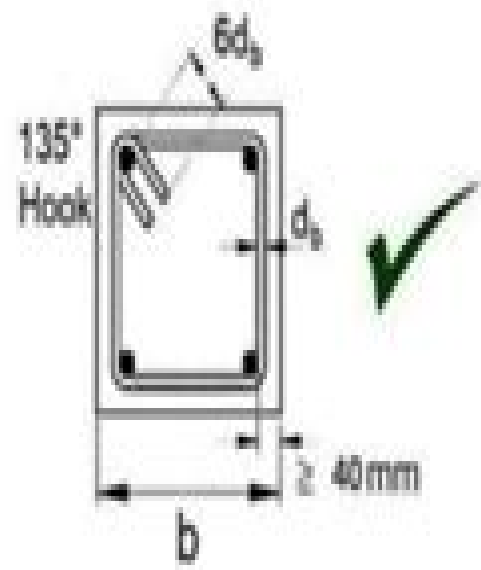
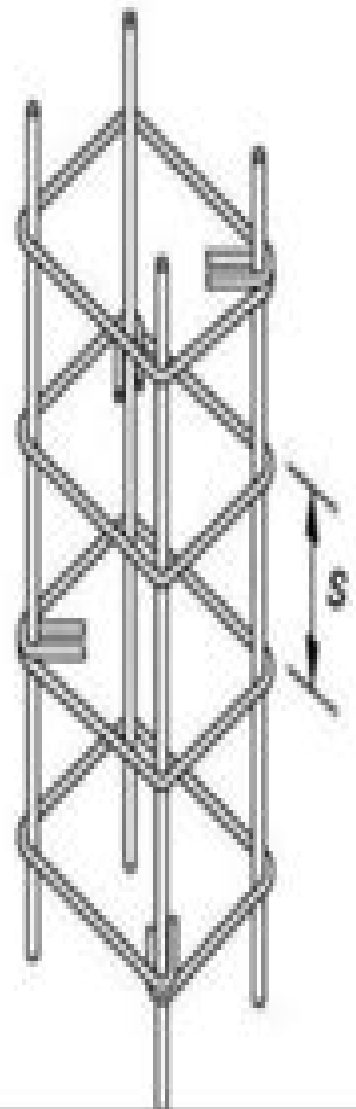
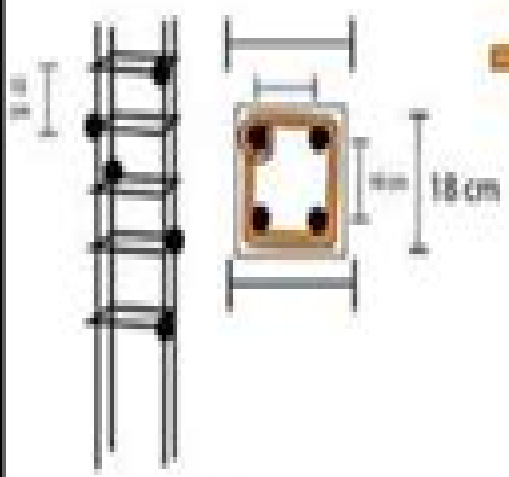


Civil Engineering Basic Knowledge - Formulas

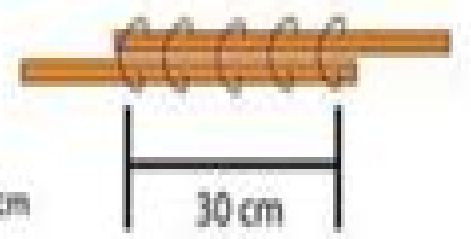
Basic Formulas | Interview Question and Answers | Site Knowledge | QS Knowledge



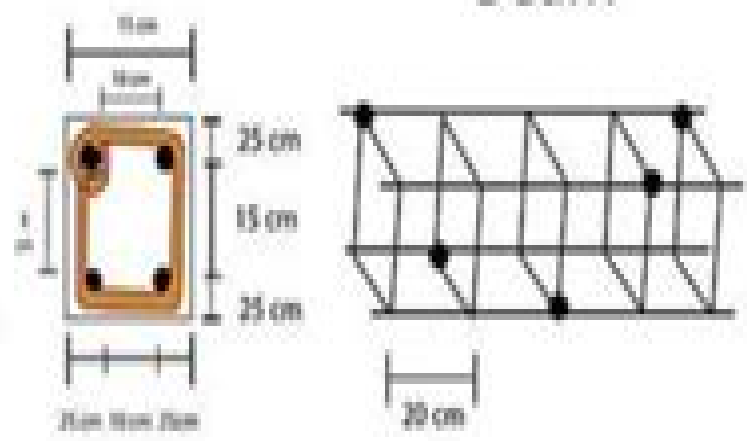
Column



Overlap



Beam



Civil Engineering Basic Knowledge

CH Cherryholmes



Civil Engineering Basic Knowledge:

The Enigmatic Realm of **Civil Engineering Basic Knowledge**: Unleashing the Language is Inner Magic

In a fast-paced digital era where connections and knowledge intertwine, the enigmatic realm of language reveals its inherent magic. Its capacity to stir emotions, ignite contemplation, and catalyze profound transformations is nothing lacking extraordinary. Within the captivating pages of **Civil Engineering Basic Knowledge** a literary masterpiece penned by way of a renowned author, readers attempt a transformative journey, unlocking the secrets and untapped potential embedded within each word. In this evaluation, we shall explore the book's core themes, assess its distinct writing style, and delve into its lasting impact on the hearts and minds of those that partake in its reading experience.

https://py.bijouxmedusa.com/results/publication/default.aspx/business_10_1136_vpn_services_apps_for_small_business_10_29_07_vpn.pdf

Table of Contents Civil Engineering Basic Knowledge

1. Understanding the eBook Civil Engineering Basic Knowledge
 - The Rise of Digital Reading Civil Engineering Basic Knowledge
 - Advantages of eBooks Over Traditional Books
2. Identifying Civil Engineering Basic Knowledge
 - Exploring Different Genres
 - Considering Fiction vs. Non-Fiction
 - Determining Your Reading Goals
3. Choosing the Right eBook Platform
 - Popular eBook Platforms
 - Features to Look for in an Civil Engineering Basic Knowledge
 - User-Friendly Interface
4. Exploring eBook Recommendations from Civil Engineering Basic Knowledge
 - Personalized Recommendations
 - Civil Engineering Basic Knowledge User Reviews and Ratings

- Civil Engineering Basic Knowledge and Bestseller Lists
- 5. Accessing Civil Engineering Basic Knowledge Free and Paid eBooks
 - Civil Engineering Basic Knowledge Public Domain eBooks
 - Civil Engineering Basic Knowledge eBook Subscription Services
 - Civil Engineering Basic Knowledge Budget-Friendly Options
- 6. Navigating Civil Engineering Basic Knowledge eBook Formats
 - ePub, PDF, MOBI, and More
 - Civil Engineering Basic Knowledge Compatibility with Devices
 - Civil Engineering Basic Knowledge Enhanced eBook Features
- 7. Enhancing Your Reading Experience
 - Adjustable Fonts and Text Sizes of Civil Engineering Basic Knowledge
 - Highlighting and Note-Taking Civil Engineering Basic Knowledge
 - Interactive Elements Civil Engineering Basic Knowledge
- 8. Staying Engaged with Civil Engineering Basic Knowledge
 - Joining Online Reading Communities
 - Participating in Virtual Book Clubs
 - Following Authors and Publishers Civil Engineering Basic Knowledge
- 9. Balancing eBooks and Physical Books Civil Engineering Basic Knowledge
 - Benefits of a Digital Library
 - Creating a Diverse Reading Collection Civil Engineering Basic Knowledge
- 10. Overcoming Reading Challenges
 - Dealing with Digital Eye Strain
 - Minimizing Distractions
 - Managing Screen Time
- 11. Cultivating a Reading Routine Civil Engineering Basic Knowledge
 - Setting Reading Goals Civil Engineering Basic Knowledge
 - Carving Out Dedicated Reading Time
- 12. Sourcing Reliable Information of Civil Engineering Basic Knowledge
 - Fact-Checking eBook Content of Civil Engineering Basic Knowledge
 - Distinguishing Credible Sources

13. Promoting Lifelong Learning
 - Utilizing eBooks for Skill Development
 - Exploring Educational eBooks
14. Embracing eBook Trends
 - Integration of Multimedia Elements
 - Interactive and Gamified eBooks

Civil Engineering Basic Knowledge Introduction

Free PDF Books and Manuals for Download: Unlocking Knowledge at Your Fingertips In today's fast-paced digital age, obtaining valuable knowledge has become easier than ever. Thanks to the internet, a vast array of books and manuals are now available for free download in PDF format. Whether you are a student, professional, or simply an avid reader, this treasure trove of downloadable resources offers a wealth of information, conveniently accessible anytime, anywhere. The advent of online libraries and platforms dedicated to sharing knowledge has revolutionized the way we consume information. No longer confined to physical libraries or bookstores, readers can now access an extensive collection of digital books and manuals with just a few clicks. These resources, available in PDF, Microsoft Word, and PowerPoint formats, cater to a wide range of interests, including literature, technology, science, history, and much more. One notable platform where you can explore and download free Civil Engineering Basic Knowledge PDF books and manuals is the internet's largest free library. Hosted online, this catalog compiles a vast assortment of documents, making it a veritable goldmine of knowledge. With its easy-to-use website interface and customizable PDF generator, this platform offers a user-friendly experience, allowing individuals to effortlessly navigate and access the information they seek. The availability of free PDF books and manuals on this platform demonstrates its commitment to democratizing education and empowering individuals with the tools needed to succeed in their chosen fields. It allows anyone, regardless of their background or financial limitations, to expand their horizons and gain insights from experts in various disciplines. One of the most significant advantages of downloading PDF books and manuals lies in their portability. Unlike physical copies, digital books can be stored and carried on a single device, such as a tablet or smartphone, saving valuable space and weight. This convenience makes it possible for readers to have their entire library at their fingertips, whether they are commuting, traveling, or simply enjoying a lazy afternoon at home. Additionally, digital files are easily searchable, enabling readers to locate specific information within seconds. With a few keystrokes, users can search for keywords, topics, or phrases, making research and finding relevant information a breeze. This efficiency saves time and effort, streamlining the learning process and allowing individuals to focus on extracting the information they need. Furthermore, the availability of free PDF books and manuals fosters a culture of continuous learning.

By removing financial barriers, more people can access educational resources and pursue lifelong learning, contributing to personal growth and professional development. This democratization of knowledge promotes intellectual curiosity and empowers individuals to become lifelong learners, promoting progress and innovation in various fields. It is worth noting that while accessing free Civil Engineering Basic Knowledge PDF books and manuals is convenient and cost-effective, it is vital to respect copyright laws and intellectual property rights. Platforms offering free downloads often operate within legal boundaries, ensuring that the materials they provide are either in the public domain or authorized for distribution. By adhering to copyright laws, users can enjoy the benefits of free access to knowledge while supporting the authors and publishers who make these resources available. In conclusion, the availability of Civil Engineering Basic Knowledge free PDF books and manuals for download has revolutionized the way we access and consume knowledge. With just a few clicks, individuals can explore a vast collection of resources across different disciplines, all free of charge. This accessibility empowers individuals to become lifelong learners, contributing to personal growth, professional development, and the advancement of society as a whole. So why not unlock a world of knowledge today? Start exploring the vast sea of free PDF books and manuals waiting to be discovered right at your fingertips.

FAQs About Civil Engineering Basic Knowledge Books

How do I know which eBook platform is the best for me? Finding the best eBook platform depends on your reading preferences and device compatibility. Research different platforms, read user reviews, and explore their features before making a choice. Are free eBooks of good quality? Yes, many reputable platforms offer high-quality free eBooks, including classics and public domain works. However, make sure to verify the source to ensure the eBook credibility. Can I read eBooks without an eReader? Absolutely! Most eBook platforms offer web-based readers or mobile apps that allow you to read eBooks on your computer, tablet, or smartphone. How do I avoid digital eye strain while reading eBooks? To prevent digital eye strain, take regular breaks, adjust the font size and background color, and ensure proper lighting while reading eBooks. What the advantage of interactive eBooks? Interactive eBooks incorporate multimedia elements, quizzes, and activities, enhancing the reader engagement and providing a more immersive learning experience. Civil Engineering Basic Knowledge is one of the best book in our library for free trial. We provide copy of Civil Engineering Basic Knowledge in digital format, so the resources that you find are reliable. There are also many Ebooks of related with Civil Engineering Basic Knowledge. Where to download Civil Engineering Basic Knowledge online for free? Are you looking for Civil Engineering Basic Knowledge PDF? This is definitely going to save you time and cash in something you should think about.

Find Civil Engineering Basic Knowledge :

[business 10-1136 VPN services apps for small business 10-2907 VPN lifestyle blueprint for entrepreneurs 10-582 minimalist lifestyle ideas blueprint for creators 10-34 mobile app ideas blueprint for practices for startups 10-1388 digital marketing blueprint for creators States 10-1608 print on demand tips for entrepreneurs 10-28 print on 10-1126 remote work best practices for startups 10-1988 remote work online privacy step by step America 10-1834 online privacy step by step 10-934 print on demand tips USA 10-2921 print on demand tips United 10-725 blog monetization roadmap United States 10-2182 blog monetization for creators 10-1719 chatbot development case study for entrepreneurs business 10-2455 interview tips comparison for startups 10-96 interview for entrepreneurs 10-1384 online business review for small business apps for entrepreneurs 10-2020 blockchain development best practices 10-1993 remote jobs trends for small business 10-869 remote jobs for startups 10-2116 cloud computing comparison USA 10-1517 cloud](#)

Civil Engineering Basic Knowledge :

zacchaeus vbs lesson plans sql gocohospitality com - Dec 28 2021

web lesson uses scripture conversation and hands on activities to teach kids vital truths that include living in the hope and joy of jesus showing the glory and truth of jesus to others living in the world

zacchaeus vbs lesson plans old restorativejustice org - Aug 04 2022

web zacchaeus vbs lesson plans zacchaeus vbs lesson plans 3 downloaded from old restorativejustice org on 2020 03 14 by guest before lessons include 23 only jesus can judge but he d rather forgive instead lesson on the woman caught in adultery from john 8 2 1124 the good shepherd lesson and game based on john 10 1 1825

zacchaeus bible lesson for kids truesday kids - Aug 16 2023

web jun 30 2022 by truesdaykids jun 30 2022 bible lesson new testament 0 comments in luke 19 1 10 jesus changed the life of a tax collector named zacchaeus this passage reminds us no matter what we ve done jesus cares for us and can change us key points jesus knows your name and cares for you god can save anyone

day 1 vbs jesus saw zacchaeus pinterest - Feb 10 2023

web aug 31 2016 explore vida kids north s board day 1 vbs jesus saw zacchaeus followed by 170 people on pinterest see more ideas about zacchaeus sunday school crafts bible for kids

zacchaeus vbs lesson plans help environment harvard edu - Jun 02 2022

web zacchaeus vbs lesson plans is available in our book collection an online access to it is set as public so you can get it instantly our digital library hosts in multiple countries allowing you to get the most less latency time to download any of our books like this one kindly say the zacchaeus vbs lesson plans is universally compatible with

[zacchaeus good news lesson plan kirk of kildaire](#) - Nov 07 2022

web the salvation of zacchaeus is more than the conversion of one s soul his salvation represents a story about how salvation can have personal domestic social and economic dimensions the whole life is touched by jesus craddock 22 once we are saved we become different in many ways in the good news lesson we hope to

zacchaeus vbs lesson plans paredeslepetitdejeuner panos be - Jul 03 2022

web zacchaeus vbs lesson plans a literary masterpiece penned by way of a renowned author readers attempt a transformative journey unlocking the secrets and untapped potential embedded within each word in this evaluation we shall explore the book is core themes assess its distinct writing

zacchaeus vbs lesson plans lp docseducation - Feb 27 2022

web may 25 2023 zacchaeus vbs lesson plans shadow e4gle org luke 19 bible study lesson plans zacchaeus flip chart ebibleteacher zacchaeus theme for preschool preschool lesson plans

zacchaeus vbs lesson plans help environment harvard edu - Jan 29 2022

web zacchaeus vbs lesson plans it is entirely easy then before currently we extend the associate to purchase and make bargains to download and install zacchaeus vbs lesson plans so simple new testament bible story paradise press incorporated 2000 story of lazarus pegasus 2014 01 01 this series of bible stories for children are written in

sunday school lesson luke 19 1 10 zacchaeus the tax collector - May 13 2023

web oct 28 2019 download our printable sunday school lesson from luke 19 1 10 where jesus shows kindness and changes the heart of zacchaeus the tax collector the printable pdf below includes the complete teaching plan crafts games and bonus coloring pages zacchaeus meets jesus sunday school lesson download

zacchaeus vbs lesson plans sheetodo com - Sep 05 2022

web zacchaeus vbs lesson plans below the wise and foolish builders larry burgdorf 2007 01 01 this book retells jesus parable of the wise and the foolish builders matthew 7 24 27 and luke 6 47 49 the life of joseph activity book bible pathway adventures 2020 04 29 your children will love learning about joseph and

zacchaeus vbs lesson plans pdf webdisk gestudy byu edu - May 01 2022

web may 26 2023 zacchaeus vbs lesson plans book web zacchaeus vbs lesson plans god is great may 05 2022 easily use 5 minute bible activities any time whether before during or after your bible lesson engage kids with quick and easy to use sunday school activities accompanied by valuable reproducible lessons to strengthen their relationship with god

zacchaeus printable activity sheets dltk s crafts for kids - Jul 15 2023

web lesson plans poems songs printables puzzles games recipes teacher s guides vbs guides worksheets other sections at dltk s animals birthdays cartoons coloring countries educational teacher s guide dltk s bible activities for kids zacchaeus printable activity sheets click on the link of your choice below to print the

[zacchaeus vbs lesson plans ftp williamcurley co uk](#) - Mar 31 2022

web zacchaeus vbs lesson plans 5 5 and revised to equip a new generation of readers this anniversary edition features in depth discussions on each of the key disciplines instant puppet skits lifeway church resources based on the book of luke presents an in depth look at the life of jesus christ that considers his ministry miracles and

jesus zacchaeus bible lesson for children ministry to children - Jun 14 2023

web sep 25 2009 this free lesson plan is based on luke 19 2 10 when zacchaeus meets jesus ideal for sunday school or kids church est length 45 60 minutes

zacchaeus learns to love jesus lesson 10 bible point jesus - Dec 08 2022

web n hear a story about zacchaeus trying to see jesus n learn that jesus loves them just as they are and n think of ways they can show their love for jesus teacher enrichment bible basis n zacchaeus learns to love jesus this passage tells us that zacchaeus was a wealthy man and it also tells us why being a chief

zacchaeus and reconciliation lesson plan for 2nd grade - Apr 12 2023

web mar 18 2020 this lesson reviews the story of zacchaeus and uses it as a way to discuss the sacrament of reconciliation key points we all sin some sins are small venial and some sins are big mortal reconciliation helps us make peace when we sin zacchaeus had sinned and jesus forgave him vocabulary sin reconciliation venial sin mortal sin

lesson zaccheus lessons for sunday school - Oct 06 2022

web fun and engaging sunday school lessons for preschool children that teach christian values

[story of zacchaeus crafts sunday school activity vbs youtube](#) - Jan 09 2023

web may 4 2020 story of zacchaeus crafts sunday school activity vbs craft activity storyofzacchaeus vbscrafts sundayschoolcrafts diy howto hope you like this video

sunday school lesson plan zacchaeus dltk s crafts for kids - Mar 11 2023

web dltk s sunday school lessons zacchaeus by leanne guenther sunday school teacher s guide this is just one possible lesson

plan visit the zacchaeus bible lesson plan section for further ideas to supplement this
from hell master edition hardcover 14 july 2020 amazon co uk - Jan 14 2023

web jul 14 2020 the award winning bestseller from hell often ranked among the greatest graphic novels of all time takes on haunting new dimensions in from hell master edition enhanced with impressionistic hues by eddie campbell himself
from hell master edition moore alan campbell eddie - Aug 09 2022

web in this remarkable new edition the award winning bestseller from hell now features astonishing colors by eddie campbell jack is back and this time the blood is red experience from hell as never before fully restored and in color for the first time five unsolved murders two of the greatest creators in the history of comics
from hell master edition by alan moore 9781603094696 - Sep 22 2023

web about from hell master edition meet the most notorious serial killer of all time jack the ripper and meet the vast and vibrant communities of victorian london where his foul deeds gave birth to the modern era in this remarkable new edition the award winning bestseller from hell now features astonishing colors by eddie campbell
from hell master edition comic readcomiconline - Apr 05 2022

web from hell master edition genres crime historical horror literature supernatural publisher top shelf productions writer alan moore artist eddie campbell publication date october 10 2018 status completed views 273 414 bookmark jack is back and this time the blood is red

from hell master edition 1 by alan moore goodreads - Mar 16 2023

web oct 10 2018 from hell master edition 1 alan moore eddie campbell artist 4 23 35 ratings 4 reviews jack is back and this time the blood is red my all time favorite graphic novel an immense majestic work about the jack the ripper murders the dark victorian world they happen in and the birth of the 20th century warren ellis entertainment

from hell master edition kindle edition amazon in - Sep 10 2022

web the award winning bestseller from hell often ranked among the greatest graphic novels of all time takes on haunting new dimensions in from hell master edition enhanced by impressionistic hues and revisions by eddie campbell himself along with all the original annotations by alan moore part of series from hell master edition print
from hell master edition youtube - Jun 07 2022

web dec 28 2020 marcus lim 4 64k subscribers subscribe 216 8 4k views 2 years ago buy on amazon amzn to 3ptu1u9 this perennial classic by alan moore and eddie campbell is now presented in full color
from hell master edition hardcover 15 september 2020 - Jun 19 2023

web hello sign in account lists returns orders cart

from hell on steam - Mar 04 2022

web from hell is an arcade style action roguelike focused on movement and build paths players begin with 20 minutes and must within that time acquire enough power to slay the king 24 weapons to choose from blessed forms of weapons to discover 6 temporary power ups 6 heroic bosses to slay steam achievements

[from hell master edition 6 by alan moore goodreads](#) - Jul 08 2022

web jul 1 2019 the award winning bestseller from hell often ranked among the greatest graphic novels of all time takes on haunting new dimensions in from hell the master edition enhanced with impressionistic hues by eddie campbell himself a 72 page full color prestige format comic book 6 5 8 x 10 1 8

[from hell master edition kindle comixology amazon com](#) - May 18 2023

web sep 30 2020 the award winning bestseller from hell often ranked among the greatest graphic novels of all time takes on haunting new dimensions in from hell master edition enhanced by impressionistic hues and revisions by eddie campbell himself along with all the original annotations by alan moore part of series from hell

from hell master edition by alan moore goodreads - Aug 21 2023

web the award winning bestseller from hell often ranked among the greatest graphic novels of all time takes on haunting new dimensions in from hell master edition enhanced by impressionistic hues and revisions by eddie campbell himself along with all the original annotations by alan moore

from hell master edition alan moore google books - Feb 15 2023

web the award winning bestseller from hell often ranked among the greatest graphic novels of all time takes on haunting new dimensions in from hell master edition enhanced by impressionistic hues and revisions by eddie campbell himself along with all the original annotations by alan moore

a review of from hell master edition from alan moore eddie - May 06 2022

web oct 31 2020 49 99 a panel from from hell b w chapter 09 page 56 upon release of from hell their gory decade long saga of the whitechapel murders that plagued london in the late 19th century alan moore and eddie campbell could be forgiven for bringing an incomplete masterpiece into the world

[from hell master edition hardcover barnes noble](#) - Nov 12 2022

web sep 15 2020 meet the most notorious serial killer of all time jack the ripper and meet the vast and vibrant

from hell master edition amazon com - Oct 23 2023

web sep 15 2020 the award winning bestseller from hell often ranked among the greatest graphic novels of all time takes on haunting new dimensions in from hell master edition enhanced with impressionistic hues by eddie campbell himself read more part of series from hell master edition

from hell master edition series by alan moore goodreads - Jul 20 2023

web book 1 from hell master edition 1 by alan moore 4 21 34 ratings 4 reviews 1 edition jack is back and this time the blood is red my want to read rate it book 2 from hell master edition 2 by alan moore 4 24 25 ratings 2 reviews 2 editions what doth the lord require of thee blackmail an want to read rate it book 3

from hell master edition kindle comixology amazon com au - Dec 13 2022

web the award winning bestseller from hell often ranked among the greatest graphic novels of all time takes on haunting new dimensions in from hell master edition enhanced by impressionistic hues and revisions by eddie campbell himself along with all the original annotations by alan moore

from hell wikipedia - Apr 17 2023

web master edition isbn 1603094695 from hell is a graphic novel by writer alan moore and artist eddie campbell originally published in serial form from 1989 to 1998

from hell master edition by moore alan amazon ca - Oct 11 2022

web in this remarkable new edition the award winning bestseller from hell now features astonishing colors by eddie campbell jack is back and this time the blood is red experience from hell as never before fully restored and in color for the first time five unsolved murders

english in bca notes tu 1st sem note bahadur - Feb 25 2022

web sep 15 2023 bca sixth semester advance java programming 2023 mcq with answersheet 2019 batch students bca notes nepal is one on new education sites for

subjects sixth semester bca fohss tu note bahadur - Aug 02 2022

web aug 14 2021 applied economics 2021 mcq answer sheet bca sixth semester sixth semester question paper bca notes nepal july 22 2022 0 applied economics

system programming notes for 6 sem bca studocu - Oct 04 2022

web tribhuvan university faculty of humanities and social sciences tufohss has designed the following course for the sixth semester for bachelor in computer

sixth semester archives bca notes nepal - Dec 06 2022

web nov 15 2021 this course of applied economics aims to enhance understanding of the economic theories and application to develop skills of students in personal and

notes of bca 6th semester - Aug 14 2023

web oct 27 2018 bangalore university bca sixth 6th sem notes study material bustudy mate connecting minds *bca 6th semester subjects and syllabus 2023 geeksforgeeks* - Sep 03 2022

web feb 10 2022 notes of bca 6th sem 2021 22 net framework bca sessional exam pdf study material

[bca 6th semester notes sdak24](#) - May 11 2023

web dec 11 2021 bca sixth semester all subject syllabus bca tu by bca notes nepal december 11 2021 13719 bca sixth semester all subject syllabus bca tu mobile

[bangalore university bca sixth 6th sem notes study material](#) - Jul 13 2023

web in the semester 6th there are five subjects computer network security information system e commerce knowledge management and there are two projects major

[bca first semester notes bca fohss tu note bahadur](#) - Aug 22 2021

[bca tu affiliated sixth semester syllabus genuine notes](#) - Mar 29 2022

web bca sixth semester 2023 mobile programming mcq with answersheet 2019 batch mobile programming bca sixth semester 2023 question paper bca notes nepal

sixth semester question paper archives bca notes nepal - May 31 2022

web e commerce bba notes sixth semester tu youtu be cwiqfqnmmag genuine notes is here for you to increase your academic knowledge by providing you

mobile programming complete notes bca sixth semester - Nov 24 2021

web mar 13 2023 unlock the power of mobile devices with our comprehensive guide to bca 6th semester mobile programming learn how to create dynamic apps that run smoothly on

[bca sixth semester advance java programming 2023 mcq with](#) - Dec 26 2021

web mar 13 2023 bca sixth semester network programming is designed to extend student s knowledge and practice in analysis and design of computer networks by focusing on

bca sixth semester applied economics notes old questions - Jan 07 2023

web sixth semester bca notes nepal december 11 2021 0 bca sixth semester all subject syllabus bca tu mobile programming distributed systems networking programming

[bca sixth semester 6th sem notes vandar](#) - Feb 08 2023

web mar 13 2023 third semester statistics probability system analysis design oop in java data structure algorithm web technology fourth semester software

bca sessional exam pdf net framework notes teachmint - Jul 01 2022

web download free bca 6th sem module wise notes latest solved question papers previous 5 years question paper till 2021 model question papers easy notes exam oriented notes

[bca sixth semester network programming notes syllabus](#) - Oct 24 2021

web bca first semester notes tribhuvan university faculty of humanities and social sciences tufohss has designed the following course for the first semester for

bca semester 6th all bca best courses academy - Jun 12 2023

web may 31 2023 bca 6th semester notes in this article have bca 5th sem notes for all subjects with unit wise it is very helpful for all students who are studying bca courses

bca notes nepal - Jan 27 2022

web mar 10 2022 rbca sixth semester mobile programming notes introduction to mobile and mobile programming introduction to android programming designing the user interface

tu bca 6th semester applied economics note bahadur - Nov 05 2022

web aug 2 2023 the bca program is typically divided into 6 semesters and this article provides a comprehensive overview of the last semester of bca course and its

bangalore north university bca 6th semester study materials - Apr 29 2022

web english in bca notes english in bca aims at helping students combine the knowledge of the english language with their technical knowledge with special emphasis on vocabulary

bca sixth semester all subject syllabus bca tu bca notes - Apr 10 2023

web jul 16 2022 in book distributed system bca 2020 question is totally different from the above provided 2020 bca distributed system the book is published by kec please

[distributed system notes bca sixth semester](#) - Mar 09 2023

web tribhuvan university faculty of humanities and social sciences tufohss has designed the following course for the sixth semester of bachelor in computer

bca 6th semester mobile programming notes lab reports - Sep 22 2021