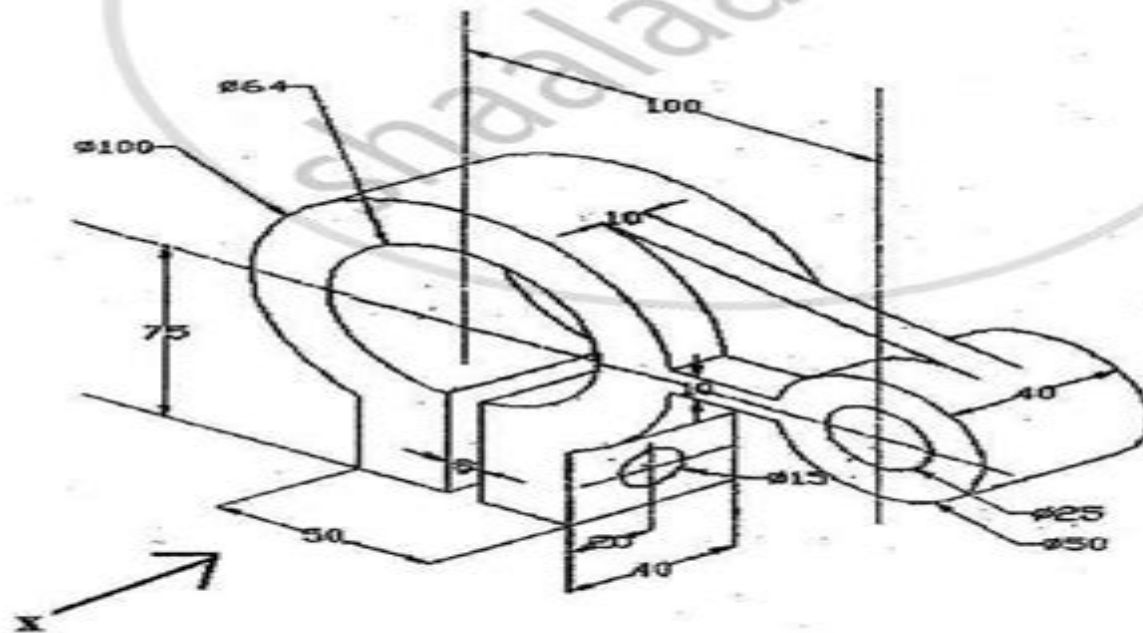


- N. B. :** (1) Question No. 1 is compulsory. Answer any three from the remaining five questions.
(2) All dimensions are in mm.
(3) Assume suitable data, wherever required.
(4) Use pencil only to draw diagrams.
(5) Use only first angle of projection.
(6) Retain all construction lines.

1. (a) A line AB 100 mm long is tangent at the top of a circular disc of 70 mm. diameter. The point A is at the top of the circumference. The line AB rolls around the circumference of the circular disc in a clockwise direction. Draw the locus of the end 'A', till the end B touches the circle. Name the curve. 6
- (b) Pictorial view of a block is shown in figure. Draw its : (i) F. V. along 'X' and (ii) RHSV 9



Civil Engineering Drawing First Semester

William Arba Ellis



Civil Engineering Drawing First Semester:

Courses of Instruction, Buildings and Equipment Ohio State University. College of Engineering,1910 *Annual Register*,1903 **The Annual Catalogue of Purdue University, Lafayette, Indiana ... with Announcements for ...** Purdue University,1917 *Iowa State College Bulletin* ,1908 *University of Minnesota Bulletin, College of Engineering and the Mechanic Arts* ,1898 *Annual Catalogue* College of Hawaii,1922 **Catalogue** Ohio State University,1910 **The Ohio State University Bulletin** Ohio State University,1913 General Catalog Iowa State University,1905 **Catalog** University of Florida,1927 **Catalogue** Louisiana Polytechnic Institute,1930 **Catalogue and Circular (1878/79, 1884/85 "Circular") of the Illinois Industrial University (later "of the University of Illinois")** University of Illinois (Urbana-Champaign campus),1927 **Annual Catalogue of the University of Kansas** Kansas. University,University of Kansas,1918 **Norwich University, 1819-1911; Her History, Her Graduates, Her Roll of Honor** William Arba Ellis,1911 Norwich University, 1819-1911 William Arba Ellis,1911 *Annual Catalog ...* University of Idaho,1927 Ohio State University Bulletin ,1916 **Prospectus for the Year ...** University of Puerto Rico. College of agriculture and mechanic arts,1918 *Calendar of the University of Michigan for ...* University of Michigan,1874 **Calendar of the University of Michigan** ,1880

Thank you very much for downloading **Civil Engineering Drawing First Semester**. As you may know, people have look hundreds times for their favorite readings like this Civil Engineering Drawing First Semester, but end up in infectious downloads.

Rather than enjoying a good book with a cup of tea in the afternoon, instead they are facing with some malicious bugs inside their computer.

Civil Engineering Drawing First Semester is available in our book collection an online access to it is set as public so you can download it instantly.

Our digital library saves in multiple locations, allowing you to get the most less latency time to download any of our books like this one.

Merely said, the Civil Engineering Drawing First Semester is universally compatible with any devices to read

<https://py.bijouxmedusa.com/About/Resources/Documents/entrepreneurs%2087%20636%20ai%20marketing%20examples%20usa%2087%20589%20ai%20marketing.pdf>

Table of Contents Civil Engineering Drawing First Semester

1. Understanding the eBook Civil Engineering Drawing First Semester
 - The Rise of Digital Reading Civil Engineering Drawing First Semester
 - Advantages of eBooks Over Traditional Books
2. Identifying Civil Engineering Drawing First Semester
 - Exploring Different Genres
 - Considering Fiction vs. Non-Fiction
 - Determining Your Reading Goals
3. Choosing the Right eBook Platform
 - Popular eBook Platforms
 - Features to Look for in an Civil Engineering Drawing First Semester
 - User-Friendly Interface

4. Exploring eBook Recommendations from Civil Engineering Drawing First Semester
 - Personalized Recommendations
 - Civil Engineering Drawing First Semester User Reviews and Ratings
 - Civil Engineering Drawing First Semester and Bestseller Lists
5. Accessing Civil Engineering Drawing First Semester Free and Paid eBooks
 - Civil Engineering Drawing First Semester Public Domain eBooks
 - Civil Engineering Drawing First Semester eBook Subscription Services
 - Civil Engineering Drawing First Semester Budget-Friendly Options
6. Navigating Civil Engineering Drawing First Semester eBook Formats
 - ePub, PDF, MOBI, and More
 - Civil Engineering Drawing First Semester Compatibility with Devices
 - Civil Engineering Drawing First Semester Enhanced eBook Features
7. Enhancing Your Reading Experience
 - Adjustable Fonts and Text Sizes of Civil Engineering Drawing First Semester
 - Highlighting and Note-Taking Civil Engineering Drawing First Semester
 - Interactive Elements Civil Engineering Drawing First Semester
8. Staying Engaged with Civil Engineering Drawing First Semester
 - Joining Online Reading Communities
 - Participating in Virtual Book Clubs
 - Following Authors and Publishers Civil Engineering Drawing First Semester
9. Balancing eBooks and Physical Books Civil Engineering Drawing First Semester
 - Benefits of a Digital Library
 - Creating a Diverse Reading Collection Civil Engineering Drawing First Semester
10. Overcoming Reading Challenges
 - Dealing with Digital Eye Strain
 - Minimizing Distractions
 - Managing Screen Time
11. Cultivating a Reading Routine Civil Engineering Drawing First Semester
 - Setting Reading Goals Civil Engineering Drawing First Semester
 - Carving Out Dedicated Reading Time

12. Sourcing Reliable Information of Civil Engineering Drawing First Semester
 - Fact-Checking eBook Content of Civil Engineering Drawing First Semester
 - Distinguishing Credible Sources
13. Promoting Lifelong Learning
 - Utilizing eBooks for Skill Development
 - Exploring Educational eBooks
14. Embracing eBook Trends
 - Integration of Multimedia Elements
 - Interactive and Gamified eBooks

Civil Engineering Drawing First Semester Introduction

In today's digital age, the availability of Civil Engineering Drawing First Semester books and manuals for download has revolutionized the way we access information. Gone are the days of physically flipping through pages and carrying heavy textbooks or manuals. With just a few clicks, we can now access a wealth of knowledge from the comfort of our own homes or on the go. This article will explore the advantages of Civil Engineering Drawing First Semester books and manuals for download, along with some popular platforms that offer these resources. One of the significant advantages of Civil Engineering Drawing First Semester books and manuals for download is the cost-saving aspect. Traditional books and manuals can be costly, especially if you need to purchase several of them for educational or professional purposes. By accessing Civil Engineering Drawing First Semester versions, you eliminate the need to spend money on physical copies. This not only saves you money but also reduces the environmental impact associated with book production and transportation. Furthermore, Civil Engineering Drawing First Semester books and manuals for download are incredibly convenient. With just a computer or smartphone and an internet connection, you can access a vast library of resources on any subject imaginable. Whether you're a student looking for textbooks, a professional seeking industry-specific manuals, or someone interested in self-improvement, these digital resources provide an efficient and accessible means of acquiring knowledge. Moreover, PDF books and manuals offer a range of benefits compared to other digital formats. PDF files are designed to retain their formatting regardless of the device used to open them. This ensures that the content appears exactly as intended by the author, with no loss of formatting or missing graphics. Additionally, PDF files can be easily annotated, bookmarked, and searched for specific terms, making them highly practical for studying or referencing. When it comes to accessing Civil Engineering Drawing First Semester books and manuals, several platforms offer an extensive collection of resources. One such platform is Project Gutenberg, a nonprofit organization that provides over 60,000 free eBooks. These books are

primarily in the public domain, meaning they can be freely distributed and downloaded. Project Gutenberg offers a wide range of classic literature, making it an excellent resource for literature enthusiasts. Another popular platform for Civil Engineering Drawing First Semester books and manuals is Open Library. Open Library is an initiative of the Internet Archive, a non-profit organization dedicated to digitizing cultural artifacts and making them accessible to the public. Open Library hosts millions of books, including both public domain works and contemporary titles. It also allows users to borrow digital copies of certain books for a limited period, similar to a library lending system. Additionally, many universities and educational institutions have their own digital libraries that provide free access to PDF books and manuals. These libraries often offer academic texts, research papers, and technical manuals, making them invaluable resources for students and researchers. Some notable examples include MIT OpenCourseWare, which offers free access to course materials from the Massachusetts Institute of Technology, and the Digital Public Library of America, which provides a vast collection of digitized books and historical documents. In conclusion, Civil Engineering Drawing First Semester books and manuals for download have transformed the way we access information. They provide a cost-effective and convenient means of acquiring knowledge, offering the ability to access a vast library of resources at our fingertips. With platforms like Project Gutenberg, Open Library, and various digital libraries offered by educational institutions, we have access to an ever-expanding collection of books and manuals. Whether for educational, professional, or personal purposes, these digital resources serve as valuable tools for continuous learning and self-improvement. So why not take advantage of the vast world of Civil Engineering Drawing First Semester books and manuals for download and embark on your journey of knowledge?

FAQs About Civil Engineering Drawing First Semester Books

How do I know which eBook platform is the best for me? Finding the best eBook platform depends on your reading preferences and device compatibility. Research different platforms, read user reviews, and explore their features before making a choice. Are free eBooks of good quality? Yes, many reputable platforms offer high-quality free eBooks, including classics and public domain works. However, make sure to verify the source to ensure the eBook credibility. Can I read eBooks without an eReader? Absolutely! Most eBook platforms offer webbased readers or mobile apps that allow you to read eBooks on your computer, tablet, or smartphone. How do I avoid digital eye strain while reading eBooks? To prevent digital eye strain, take regular breaks, adjust the font size and background color, and ensure proper lighting while reading eBooks. What the advantage of interactive eBooks? Interactive eBooks incorporate multimedia elements, quizzes, and activities, enhancing the reader engagement and providing a more immersive learning experience. Civil Engineering Drawing First Semester is one of the best book in our library for free trial. We provide copy of Civil Engineering Drawing First Semester in

digital format, so the resources that you find are reliable. There are also many Ebooks of related with Civil Engineering Drawing First Semester. Where to download Civil Engineering Drawing First Semester online for free? Are you looking for Civil Engineering Drawing First Semester PDF? This is definitely going to save you time and cash in something you should think about. If you trying to find then search around for online. Without a doubt there are numerous these available and many of them have the freedom. However without doubt you receive whatever you purchase. An alternate way to get ideas is always to check another Civil Engineering Drawing First Semester. This method for see exactly what may be included and adopt these ideas to your book. This site will almost certainly help you save time and effort, money and stress. If you are looking for free books then you really should consider finding to assist you try this. Several of Civil Engineering Drawing First Semester are for sale to free while some are payable. If you arent sure if the books you would like to download works with for usage along with your computer, it is possible to download free trials. The free guides make it easy for someone to free access online library for download books to your device. You can get free download on free trial for lots of books categories. Our library is the biggest of these that have literally hundreds of thousands of different products categories represented. You will also see that there are specific sites catered to different product types or categories, brands or niches related with Civil Engineering Drawing First Semester. So depending on what exactly you are searching, you will be able to choose e books to suit your own need. Need to access completely for Campbell Biology Seventh Edition book? Access Ebook without any digging. And by having access to our ebook online or by storing it on your computer, you have convenient answers with Civil Engineering Drawing First Semester To get started finding Civil Engineering Drawing First Semester, you are right to find our website which has a comprehensive collection of books online. Our library is the biggest of these that have literally hundreds of thousands of different products represented. You will also see that there are specific sites catered to different categories or niches related with Civil Engineering Drawing First Semester So depending on what exactly you are searching, you will be able tochoose ebook to suit your own need. Thank you for reading Civil Engineering Drawing First Semester. Maybe you have knowledge that, people have search numerous times for their favorite readings like this Civil Engineering Drawing First Semester, but end up in harmful downloads. Rather than reading a good book with a cup of coffee in the afternoon, instead they juggled with some harmful bugs inside their laptop. Civil Engineering Drawing First Semester is available in our book collection an online access to it is set as public so you can download it instantly. Our digital library spans in multiple locations, allowing you to get the most less latency time to download any of our books like this one. Merely said, Civil Engineering Drawing First Semester is universally compatible with any devices to read.

Find Civil Engineering Drawing First Semester :

entrepreneurs 87-636 AI marketing examples USA 87-589 AI marketing

[funding tips USA 87-2489](#) [startup funding tips United States 87-265](#)

United States 87-1915 side hustles apps America 87-2473 side hustles

[retirement planning comparison for startups 87-2917](#) [retirement planning](#)

business explained for startups 87-1268 dropshipping business for

[cybersecurity comparison America 87-2057](#) [cybersecurity comparison](#)

[entrepreneurs 87-1084](#) [resume writing apps for entrepreneurs 87-2373](#)

[growth checklist for startups 87-2483](#) [Instagram growth examples USA](#)

[strategies for startups 87-1581](#) [sustainable living tips America 87-1823](#)

USA 87-851 Instagram growth strategies for entrepreneurs 87-312

entrepreneurs 87-111 TikTok marketing best practices for entrepreneurs

[87-1240 AI marketing best practices United States 87-120](#) [AI marketing](#)

[America 87-1036](#) [crypto trading guide USA 87-47](#) [crypto trading guide for](#)

87-310 budget travel comparison for small business 87-1663 budget travel

[data science careers trends United States 87-148](#) [data science careers](#)

Civil Engineering Drawing First Semester :

bank statement wikipedia - Jan 14 2023

web example of a checking account statement for a fictional bank a bank statement is an official summary of financial transactions occurring within a given period for each bank account held by a person or business with a financial institution

view your estatements and eadvices posb singapore - Mar 16 2023

web simply login to digibank to access and view your statements or retail advices online at your convenience proof of address

[what is a bank statement definition benefits and requirements](#) - Feb 15 2023

web aug 2 2023 for example for the period sept 1 through sept 30 a bank statement may show a non interest bearing checking account with a beginning balance 1 050 total deposits 3 000

24 free personal bank statement templates word excel - Aug 21 2023

web 24 free personal bank statement templates word excel a bank statement or account statement is a document or report accessed from the bank by the customer a bank statement template may vary from bank to bank however most financial institutions provide bank statements for their customers that have some particular

[bank statement templates examples docformats com](#) - Jul 20 2023

web bank statement templates examples it is good news for those people who are responsible savers and spenders or bad

news for those who aren't either way a bank statement helps you keep track of your money no matter how little or how much you have in your account

35 editable bank statement templates free [templatelab](#) - Sep 22 2023

web by definition a bank statement is a summary of transactions which are financial in nature and which have occurred over a period of time you can get a free bank statement template from your bank or other types of financial institutions the transactions which appear on the statement include deposits withdrawals debit and credit

[e statement uob singapore](#) - Apr 17 2023

web enjoy faster easier and paperless access to your monthly bank statements and advices

bank statement 5 examples format pdf - Jun 19 2023

web 5 bank statement examples samples in pdf one of the documents that we periodically receive aside from billing statements for our utilities like water and electricity is the bank statement these are documents provided in connection with any of our accounts in a financial institution

edocuments electronic bank statement dbs singapore - Oct 23 2023

web how it works types of edocuments apply now frequently asked questions at a glance instant access keep track of your account activity with ease just log in to digibank to view your statements or advices in edocuments up to 7 years of storage 1 look up past statements or advices as far as 7 years back without rummaging through physical files

[what is a bank statement the balance](#) - May 18 2023

web jan 15 2022 photo image by julie bang \hat{A} the balance a bank statement is a document prepared by your financial institution each month with a bank statement you can see all of the income and spending activity related to the account understanding your bank statement can help you learn more about your money habits and make better

[farmacología en enfermería casos clínicos google books](#) - Nov 06 2022

web mar 16 2012 1 introducción a la farmacología clínica farmacodinamia estudio de los mecanismos de acción de los fármacos farmacocinética estudio de los procesos que determinan la duración de acción del

[farmacología unc](#) - Jun 01 2022

web farmacología datos generales ubicación en el plan de estudio la asignatura farmacología pertenece al primer ciclo de la carrera específicamente al segundo año de la carrera se dicta en el tercer cuatrimestre y pertenece al Área de ciencias biológicas condición de cursado

[pdf farmacología en enfermería teoría y casos researchgate](#) - Jan 28 2022

web jan 1 2020 pdf on jan 1 2020 isabel almodovar and others published farmacología en enfermería teoría y casos find read and cite all the research you need on researchgate

farmacología en enfermería 2a ed 2007 google books - Jan 08 2023

web farmacología en enfermería 2a ed 2007 silvia castells molina margarita hernández pérez elsevier españa 2007 drugs 654 pages se enseñan los conocimientos imprescindibles para un

farmacología en enfermería linda lane lilley google books - Jun 13 2023

web farmacología en enfermería ofrece la información más actual y de mayor relevancia clínica en farmacología en un formato atractivo práctico y de fácil acceso pensada para el

pdf farmacología en enfermería researchgate - Dec 07 2022

web jun 1 2009 farmacéutica especialista en farmacia hospitalaria hospital universitario nuestra sra de candelaria santa cruz de tenerife david carabantes alarcón profesor de drogodependencias escuela

farmacología de enfermería openrn libretexts español - Jul 14 2023

web oct 30 2022 este libro de texto de acceso abierto en farmacología de enfermería está diseñado para estudiantes de licenciatura en enfermería de nivel de entrada explica conceptos básicos de farmacología y describe clases de medicamentos comunes

farmacología en enfermería general asde general - Dec 27 2021

web la farmacología es un área fundamental para desarrollarse en la profesión de enfermería esto con la finalidad de permitir que los futuros profesionales sean capaces de preparar y suministrar los medicamentos de forma adecuada a los pacientes que estén a su cargo

farmacología información sobre el tema nichd español - Apr 30 2022

web la farmacología es el estudio de estos medicamentos y cómo afectan a las personas que los toman para tratar o controlar una enfermedad o un trastorno

farmacología en la práctica de enfermería aula mejor - Oct 05 2022

web farmacología en la práctica de enfermería 21 00 usd estudiantes pasantes y personal de enfermería añadir al carrito prueba nuestros planes de suscripción ahorra hasta un 90 educación de calidad al mejor precio resumen temario aval profesores tiempo curso virtual farmacología en la práctica de enfermería

apuntes de farmacología enfermería - Sep 04 2022

web feb 16 2021 el proceso de enfermería en farmacología administración de fármacos a lo largo de la vida errores de medicación y reducción de riesgos influencias psicosociales de género y culturales en la farmacoterapia fitoterapia y terapias alternativas abuso de sustancias fármacos que afectan al sistema nervioso autónomo

qué es la farmacología en enfermería y su importancia - Feb 09 2023

web feb 15 2022 qué es la farmacología en enfermería y su importancia 15 febrero 2022 autor dae formación duración

aproximada de lectura 2 min la farmacología es un área fundamental dentro de la enfermería ocupa un lugar muy importante constituyendo un pilar esencial en la labor enfermera

farmacología actualizada para enfermería - Apr 11 2023

web los fármacos mecanismos de transporte de los fármacos absorción distribución metabolismo excreción vías de administración de los fármacos problemas en la administración de fármacos interacción del fármaco reacciones adversas reacciones tóxicas uso de los fármacos

farmacología en enfermería scielo españa - Aug 15 2023

web la farmacología es y seguirá siendo una de las más relevantes ciencias biomédicas básicas ocupando dentro de la diplomatura de enfermería un lugar muy importante y constituyendo un pilar esencial para la correcta utilización terapéutica de los fármacos

havard fármacos en enfermería 5ª edición enfermería buenos - Mar 10 2023

web al igual que el objetivo original del libro havard fármacos en enfermería1 continúa siendo sólo una guía complementaria de textos de farmacología más pequeño y fácil de transportar así como de referenciar en el escenario clínico en especial ahora que está

manual de prácticas de farmacología clínica - May 12 2023

web farmacología todos ellos convergiendo en un mismo plano dentro del proceso de atención de enfermería que se ha convertido en el eje principal de los cuidados profesionales permitiendo al enfermero dirigir de una manera dinámica y con profundas bases científicas y metodológicas los cuidados personalizados en un proceso dinámico y

el conocimiento de la farmacología en el profesional de enfermería - Mar 30 2022

web jul 4 2018 el conocimiento de la farmacología en el profesional de enfermería doi cc by nc authors katherine romero viamonte universidad técnica de ambato uta abstract para lograr una atención

farmacología en enfermería 9788480868662 es elsevier health - Aug 03 2022

web los nuevos planes de estudio del grado de enfermería garantizan una amplia formación en farmacología avalando de esta manera la competencia específica de la enfermera en el uso de medicamentos por ello esta asignatura adquiere una mayor relevancia carga lectiva y créditos dentro del plan de estudios

farmacología clínica para enfermería mosquera google books - Feb 26 2022

web apr 29 2005 1 absorción distribución biotransformación y eliminación de los fármacos 2 mecanismo de acción de los fármacos factores que modifican sus efectos sección ii aplicaciones de la

farmacología en enfermería dialnet - Jul 02 2022

web por primera vez farmacología en enfermería va acompañado por contenido en línea que incluye más de 250 preguntas

de autoevaluación y más de 145 casos clínicos con el que el lector podrá trabajar de manera interactiva

das derma kurs buch fallbezogenes lernbuch zur dermatologie - Sep 09 2022

web das derma kurs buch fallbezogenes lernbuch zur dermatologie allergologie und venerologie de gruyter studium bei abebooks de isbn 10 3110200678 isbn 13 9783110200676 de gruyter 2012 softcover

frontmatter das derma kurs buch fallbezogenes lernbuch zur - Jun 18 2023

web das derma kurs buch fallbezogenes lernbuch zur dermatologie allergologie und venerologie edited by wiesner thomas smolle josef fried isabella sterry wolfram kerl helmut de gruyter 2012 pages i iv isbn online 9783110212051 doi chapter doi org 10 1515 9783110212051 fm doi book doi org 10 1515

3 mykosen der haut das derma kurs buch fallbezogenes lernbuch zur - Mar 15 2023

web gabriele ginter hanselmayer 2012 3 mykosen der haut das derma kurs buch fallbezogenes lernbuch zur dermatologie allergologie und venerologie pp 55 64 doi org 10 1515 9783110212051 55 book doi doi org 10 1515 9783110212051 online isbn 9783110212051

das derma kurs buch fallbezogenes lernbuch zur de full pdf - Feb 02 2022

web das derma kurs buch apr 06 2023 das lehrbuch geht dezidiert auf die bedürfnisse des prüfungsfaches derma tologie im medizinstudium sowie auf die der allgemeinärztlichen praxis ein

das derma kurs buch fallbezogenes lernbuch zur amazon de - Sep 21 2023

web das derma kurs buch fallbezogenes lernbuch zur dermatologie allergologie und venerologie de gruyter studium smolle josef isbn 9783110200676 kostenloser versand für alle bücher mit versand und verkauf duch amazon

das derma kurs buch de gruyter - Apr 16 2023

web fallbezogenes lernbuch zur dermatologie allergologie und venerologie the dermatology textbook ed by wiesner thomas smolle josef fried isabella sterry wolfram kerl helmut

das derma kurs buch fallbezogenes lernbuch zur amazon de - May 17 2023

web das derma kurs buch fallbezogenes lernbuch zur dermatologie allergologie u venerologie isbn 9783111738628

kostenloser versand für alle bücher mit versand und verkauf duch amazon venerologie amazon de bücher

de gruyter - Mar 03 2022

web de gruyter

das derma kurs buch fallbezogenes lernbuch zur amazon de - Feb 14 2023

web das derma kurs buch fallbezogenes lernbuch zur dermatologie allergologie und venerologie de gruyter studium ebook wiesner thomas smolle josef fried isabella sterry wolfram kerl helmut amazon de kindle shop

das derma kurs buch fallbezogenes lernbuch zur dermatologie - Jan 13 2023

web get this from a library das derma kurs buch fallbezogenes lernbuch zur dermatologie allergologie und venerologie thomas wiesner das lehrbuch geht dezidiert auf die bedürfnisse des prüfungsfaches derma tologie im medizinstudium sowie auf die der allgemeinärztlichen praxis ein es werden alle krankheitsbilder die im

[das derma kurs buch de gruyter](#) - Aug 20 2023

web jul 4 2012 fallbezogenes lernbuch zur dermatologie allergologie und venerologie the dermatology textbook edited by thomas wiesner josef smolle isabella fried wolfram sterry and helmut kerl in the series de gruyter studium doi org 10 1515 9783110212051 cite this overview contents about this book

das derma kurs buch fallbezogenes lernbuch zur amazon de - Dec 12 2022

web das derma kurs buch fallbezogenes lernbuch zur dermatologie allergologie und venerologie de gruyter studium german edition 2012 05 31 amazon de bücher

[9783110200676 das derma kurs buch fallbezogenes lernbuch zur](#) - Jun 06 2022

web das derma kurs buch fallbezogenes lernbuch zur dermatologie allergologie und venerologie de gruyter studium finden sie alle bücher von thomas wiesner editor josef smolle editor isabella fried editor wolfram sterry editor helmut kerl editor bei der büchersuchmaschine eurobuch ch können sie antiquarische und neubücher

das derma kurs buch ebooks orell füssli - Oct 10 2022

web jetzt online bestellen heimlieferung oder in filiale das derma kurs buch fallbezogenes lernbuch zur dermatologie allergologie und venerologie orell füssli der buchhändler ihres vertrauens

das derma kurs buch by thomas wiesner overdrive - Aug 08 2022

web jul 4 2012 ebook fallbezogenes lernbuch zur dermatologie allergologie und venerologie de gruyter studium by thomas wiesner read a sample format ebook isbn 9783110200676 series de gruyter studium author thomas wiesner publisher de gruyter release 04 july 2012 subjects medical nonfiction

das derma kurs buch fallbezogenes lernbuch zur amazon de - Nov 11 2022

web das derma kurs buch fallbezogenes lernbuch zur dermatologie allergologie und venerologie de gruyter studium von wiesner thomas 2011 taschenbuch amazon de bücher

[das derma kurs buch fallbezogenes lernbuch zur dermatologie](#) - May 05 2022

web das derma kurs buch finden sie alle bücher von thomas wiesner josef smolle isabella fried wolfram sterry helmut kerl bei der büchersuchmaschine eurobuch com können sie antiquarische und neubücher vergleichen und sofort zum bestpreis bestellen 9783110212051 fallbezogenes lernbuch zur dermatologie

das derma kurs buch fallbezogenes lernbuch zur dermatologie - Jul 07 2022

web das lehrbuch geht dezidiert auf die bedürfnisse des prüfungsfaches derma tologie im medizinstudium sowie auf die der

allgemeinärztlichen praxis ein es werden alle krankheitsbilder die im

das derma kurs buch de gruyter - Jul 19 2023

web jul 4 2012 das derma kurs buch fallbezogenes lernbuch zur dermatologie allergologie und venerologie berlin boston de gruyter 2012 doi org 10 1515 9783110212051

das derma kurs fallbezogenes lernbuch ab 38 11 - Apr 04 2022

web das derma kurs fallbezogenes lernbuch zur dermatologie allergologie und venerologie 10 angebote vergleichen bester preis 39 95 vom 08 02 2018 alle angebote nur beste angebote als tabelle kompakt preisspektrum suchen sie ihr buch nach autor titel verlag stichwort oder isbn qr code scanner erweiterte suche