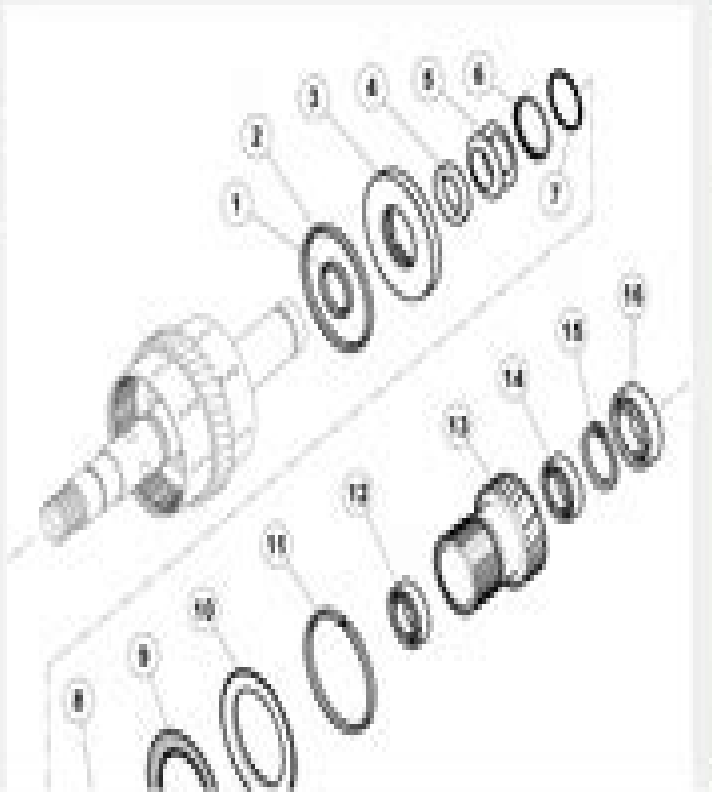
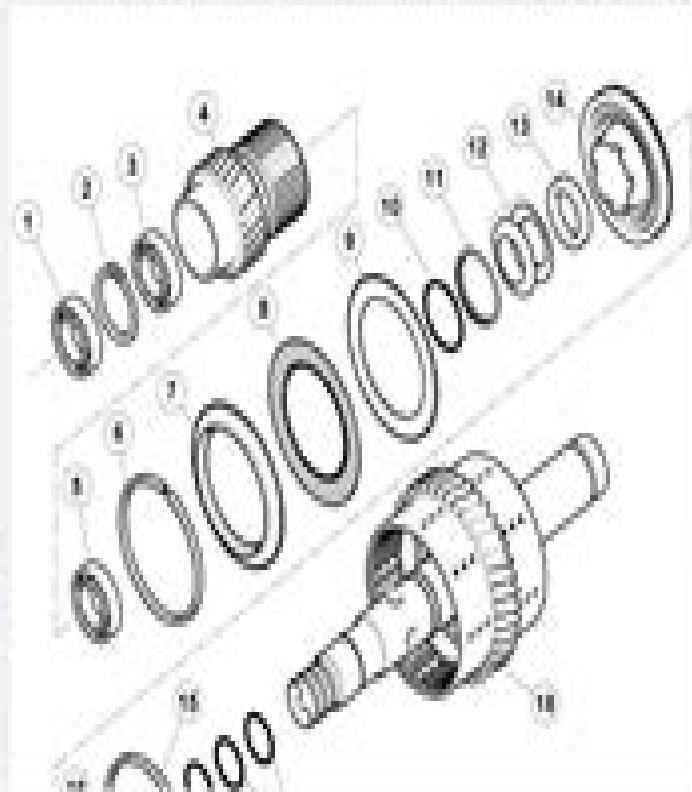


- 4221 94-00 R2 (SP4) 2120
- E ENGINE (AG 2120)
- E GEARBOX / CURCH (AG 2120)
- E CURCH / OSCILLATION DAMPER (50V 2120)
- E CURCH CONTROL / ACTUATOR (50V 2120)
- E REVERSAL CONTROL / ACTUATOR (50V 2120)
- E MECHANICAL GEARBOX (50V 2120)
 - CASE / COVER (50V 2120)4000
 - INTERMEDIATE LINE (50V 2120)41014
 - INTERMEDIATE LINE (50V 2120)414
 - SECONDARY LINE (50V 2120)42000
 - REDUCER (50V 2120)43000
 - LUBRICATOR (50V 2120)44000
- E GEAR CONTROL / ACTUATOR (50V 2120)
- E BEAR HUB HOUSING (50V 2120)4
- E DIFFERENTIAL (50V 2120)4
- E ELECTRO MECHANIC PFD (50V 2120)4
- E COOLING SYSTEM (50V 2120)4
- E ACCESSORIES (50V 2120)4

INTERMEDIATE LINE (50V 2120)44014
 Part 4221 94-00 R2 / 4020000 / 4000000 Drawing No 32214 Page 1 of 8 Remark 2nd



Comments

No relevant comments or remarks found.

2120004 INTERMEDIATE LINE |

Pos.	Part No.	Description	Quant.
1	00110760	BEARING-1 BALL	1
2	00110760	INTERNAL CRISP	1
3	00110760	BEARING-1 BALL	1
4	00110740	Gear	1

Claas Senator Parts Catalog

Michael Hoelscher



Claas Senator Parts Catalog:

As recognized, adventure as well as experience roughly lesson, amusement, as skillfully as bargain can be gotten by just checking out a books **Claas Senator Parts Catalog** also it is not directly done, you could acknowledge even more in the region of this life, all but the world.

We have the funds for you this proper as with ease as easy mannerism to get those all. We meet the expense of Claas Senator Parts Catalog and numerous book collections from fictions to scientific research in any way. in the course of them is this Claas Senator Parts Catalog that can be your partner.

https://py.bijouxmedusa.com/book/browse/HomePages/states_54_1811_self_improvement_blueprint_united_states_54_899_sel_f.pdf

Table of Contents Claas Senator Parts Catalog

1. Understanding the eBook Claas Senator Parts Catalog
 - The Rise of Digital Reading Claas Senator Parts Catalog
 - Advantages of eBooks Over Traditional Books
2. Identifying Claas Senator Parts Catalog
 - Exploring Different Genres
 - Considering Fiction vs. Non-Fiction
 - Determining Your Reading Goals
3. Choosing the Right eBook Platform
 - Popular eBook Platforms
 - Features to Look for in an Claas Senator Parts Catalog
 - User-Friendly Interface
4. Exploring eBook Recommendations from Claas Senator Parts Catalog
 - Personalized Recommendations
 - Claas Senator Parts Catalog User Reviews and Ratings
 - Claas Senator Parts Catalog and Bestseller Lists

5. Accessing Claas Senator Parts Catalog Free and Paid eBooks
 - Claas Senator Parts Catalog Public Domain eBooks
 - Claas Senator Parts Catalog eBook Subscription Services
 - Claas Senator Parts Catalog Budget-Friendly Options
6. Navigating Claas Senator Parts Catalog eBook Formats
 - ePub, PDF, MOBI, and More
 - Claas Senator Parts Catalog Compatibility with Devices
 - Claas Senator Parts Catalog Enhanced eBook Features
7. Enhancing Your Reading Experience
 - Adjustable Fonts and Text Sizes of Claas Senator Parts Catalog
 - Highlighting and Note-Taking Claas Senator Parts Catalog
 - Interactive Elements Claas Senator Parts Catalog
8. Staying Engaged with Claas Senator Parts Catalog
 - Joining Online Reading Communities
 - Participating in Virtual Book Clubs
 - Following Authors and Publishers Claas Senator Parts Catalog
9. Balancing eBooks and Physical Books Claas Senator Parts Catalog
 - Benefits of a Digital Library
 - Creating a Diverse Reading Collection Claas Senator Parts Catalog
10. Overcoming Reading Challenges
 - Dealing with Digital Eye Strain
 - Minimizing Distractions
 - Managing Screen Time
11. Cultivating a Reading Routine Claas Senator Parts Catalog
 - Setting Reading Goals Claas Senator Parts Catalog
 - Carving Out Dedicated Reading Time
12. Sourcing Reliable Information of Claas Senator Parts Catalog
 - Fact-Checking eBook Content of Claas Senator Parts Catalog
 - Distinguishing Credible Sources
13. Promoting Lifelong Learning

- Utilizing eBooks for Skill Development
 - Exploring Educational eBooks
14. Embracing eBook Trends
- Integration of Multimedia Elements
 - Interactive and Gamified eBooks

Claas Senator Parts Catalog Introduction

In this digital age, the convenience of accessing information at our fingertips has become a necessity. Whether its research papers, eBooks, or user manuals, PDF files have become the preferred format for sharing and reading documents. However, the cost associated with purchasing PDF files can sometimes be a barrier for many individuals and organizations. Thankfully, there are numerous websites and platforms that allow users to download free PDF files legally. In this article, we will explore some of the best platforms to download free PDFs. One of the most popular platforms to download free PDF files is Project Gutenberg. This online library offers over 60,000 free eBooks that are in the public domain. From classic literature to historical documents, Project Gutenberg provides a wide range of PDF files that can be downloaded and enjoyed on various devices. The website is user-friendly and allows users to search for specific titles or browse through different categories. Another reliable platform for downloading Claas Senator Parts Catalog free PDF files is Open Library. With its vast collection of over 1 million eBooks, Open Library has something for every reader. The website offers a seamless experience by providing options to borrow or download PDF files. Users simply need to create a free account to access this treasure trove of knowledge. Open Library also allows users to contribute by uploading and sharing their own PDF files, making it a collaborative platform for book enthusiasts. For those interested in academic resources, there are websites dedicated to providing free PDFs of research papers and scientific articles. One such website is Academia.edu, which allows researchers and scholars to share their work with a global audience. Users can download PDF files of research papers, theses, and dissertations covering a wide range of subjects. Academia.edu also provides a platform for discussions and networking within the academic community. When it comes to downloading Claas Senator Parts Catalog free PDF files of magazines, brochures, and catalogs, Issuu is a popular choice. This digital publishing platform hosts a vast collection of publications from around the world. Users can search for specific titles or explore various categories and genres. Issuu offers a seamless reading experience with its user-friendly interface and allows users to download PDF files for offline reading. Apart from dedicated platforms, search engines also play a crucial role in finding free PDF files. Google, for instance, has an advanced search feature that allows users to filter results by file type. By specifying the file type as "PDF," users can find websites that offer free PDF downloads on a specific topic. While downloading Claas Senator Parts Catalog free PDF files is convenient, its

important to note that copyright laws must be respected. Always ensure that the PDF files you download are legally available for free. Many authors and publishers voluntarily provide free PDF versions of their work, but its essential to be cautious and verify the authenticity of the source before downloading Claas Senator Parts Catalog. In conclusion, the internet offers numerous platforms and websites that allow users to download free PDF files legally. Whether its classic literature, research papers, or magazines, there is something for everyone. The platforms mentioned in this article, such as Project Gutenberg, Open Library, Academia.edu, and Issuu, provide access to a vast collection of PDF files. However, users should always be cautious and verify the legality of the source before downloading Claas Senator Parts Catalog any PDF files. With these platforms, the world of PDF downloads is just a click away.

FAQs About Claas Senator Parts Catalog Books

What is a Claas Senator Parts Catalog PDF? A PDF (Portable Document Format) is a file format developed by Adobe that preserves the layout and formatting of a document, regardless of the software, hardware, or operating system used to view or print it. **How do I create a Claas Senator Parts Catalog PDF?** There are several ways to create a PDF: Use software like Adobe Acrobat, Microsoft Word, or Google Docs, which often have built-in PDF creation tools. Print to PDF: Many applications and operating systems have a "Print to PDF" option that allows you to save a document as a PDF file instead of printing it on paper. Online converters: There are various online tools that can convert different file types to PDF. **How do I edit a Claas Senator Parts Catalog PDF?** Editing a PDF can be done with software like Adobe Acrobat, which allows direct editing of text, images, and other elements within the PDF. Some free tools, like PDFescape or Smallpdf, also offer basic editing capabilities. **How do I convert a Claas Senator Parts Catalog PDF to another file format?** There are multiple ways to convert a PDF to another format: Use online converters like Smallpdf, Zamzar, or Adobe Acrobats export feature to convert PDFs to formats like Word, Excel, JPEG, etc. Software like Adobe Acrobat, Microsoft Word, or other PDF editors may have options to export or save PDFs in different formats. **How do I password-protect a Claas Senator Parts Catalog PDF?** Most PDF editing software allows you to add password protection. In Adobe Acrobat, for instance, you can go to "File" -> "Properties" -> "Security" to set a password to restrict access or editing capabilities. Are there any free alternatives to Adobe Acrobat for working with PDFs? Yes, there are many free alternatives for working with PDFs, such as: LibreOffice: Offers PDF editing features. PDFsam: Allows splitting, merging, and editing PDFs. Foxit Reader: Provides basic PDF viewing and editing capabilities. How do I compress a PDF file? You can use online tools like Smallpdf, ILovePDF, or desktop software like Adobe Acrobat to compress PDF files without significant quality loss. Compression reduces the file size, making it easier to share and download. Can I fill out forms in a PDF file? Yes, most PDF viewers/editors like Adobe Acrobat, Preview (on

Mac), or various online tools allow you to fill out forms in PDF files by selecting text fields and entering information. Are there any restrictions when working with PDFs? Some PDFs might have restrictions set by their creator, such as password protection, editing restrictions, or print restrictions. Breaking these restrictions might require specific software or tools, which may or may not be legal depending on the circumstances and local laws.

Find Claas Senator Parts Catalog :

States 54-1811 self improvement blueprint United States 54-899 self
America 54-707 blockchain development explained USA 54-502 blockchain
step by step for entrepreneurs 54-2079 affiliate marketing strategies
for beginners USA 54-788 mental wellness for beginners for startups
54-799 blog monetization trends for creators 54-2629 blog monetization
54-884 personal finance apps USA 54-652 personal finance apps for
organization best practices for creators 54-385 home organization best
YouTube growth explained for creators 54-2780 YouTube growth explained
estate investing explained for entrepreneurs 54-1771 real estate
roadmap for entrepreneurs 54-2573 sustainable living roadmap for
parenting tips ideas United States 54-1738 parenting tips ideas for
NFT marketplace strategies for startups 54-943 NFT marketplace tips
basics trends for entrepreneurs 54-838 machine learning basics tutorial
ecommerce trends for beginners for small business 54-350 ecommerce
54-1378 retirement planning comparison for creators 54-2139 retirement

Claas Senator Parts Catalog :

types of adaptations in animals with examples animalwised - Oct 30 2022
web mar 5 2019 these types of adaptations are related to changes in the metabolism of different organisms some organs in an animal body function differently when certain changes occur in the environment the two most well known physiological adaptations are hibernation and estivation these are two different types of inactivity where the metabolic
adaptation definition examples facts britannica - Apr 04 2023
web adaptation in biology the process by which a species becomes fitted to its environment it is the result of natural selection

s acting upon heritable variation over several generations organisms are adapted to their environments in a variety of ways such as in their structure physiology and genetics

adaptation and survival national geographic society - Jul 07 2023

web oct 19 2023 habitat adaptations often develop in response to a change in the organisms habitat a famous example of an animal adapting to a change in its environment is england s peppered moth biston betularia prior to the 19th century the most common type of this moth was cream colored with darker spots few peppered moths were gray

animal anatomy physiology behavior britannica - Jul 27 2022

web animal table of contents animal anatomy physiology behavior hydrostatic skeletons are the most prevalent skeletal system used by animals for movement and support the locomotory feeding system of animals is the heart of their adaptation to their physical and biotic environments

adaptation simple english wikipedia the free encyclopedia - Sep 28 2022

web physiological adaptations permit the organism to perform special functions for instance making venom secreting slime phototropism but also more general functions such as growth and development temperature regulation ionic balance and other aspects of homeostasis adaptation then affects all aspects of the life of an organism

15 unique examples of animal adaptations yourdictionary - May 25 2022

web may 20 2022 animal adaptations help animals stay alive either by protecting them from predators or making it easier to catch prey these animals have adapted to their environments including climate terrain and available plantlife explore another animal s adaptations with cool vampire squid facts

adaptation meaning plant animal adaptations byju s - Mar 23 2022

web biology article adaptation and habitats adaptation and habitats adaptation is defined as the process where a species or an organism gradually becomes better acclimated to its environment adaption refers to the behavioral or physical attributes of an animal that helps them survive better in its ecosystem

animal behaviour function adaptation evolution britannica - Sep 09 2023

web animal behaviour function adaptation evolution in studying the function of a behavioral characteristic of an animal a researcher seeks to understand how natural selection favours the behaviour

animals special issue adaptations for animal survival mdpi - Feb 19 2022

web the morphological and histological traits of the gastrointestinal tract git enable the animal to perform some specific functions that enhance the species adaptability to environments

adaptations to the environment in animals adaptations bbc - Jun 06 2023

web adaptations interdependence and competition aqa adaptations to the environment in animals the abundance and

distribution of organisms in an ecosystem is determined by biotic and abiotic

explore animal adaptations smithsonian national museum of - May 05 2023

web even the youngest learners will gain confidence in their ability to identify the adaptations of the three featured animals

right whale clouded leopard and barred owl and to predict what habitat each animal lives in based on those adaptations

adaptation national geographic society - Aug 08 2023

web oct 19 2023 article vocabulary in evolutionary theory adaptation is the biological mechanism by which organisms adjust

to new environments or to changes in their current environment although scientists discussed adaptation prior to the 1800s

it was not until then that charles darwin and alfred russel wallace developed the theory of natural

animal adaptations teachers u s national park service - Nov 30 2022

web adaptations can be structural i e physical such as body parts body coverings and physical attributes of an organism

adaptations can also be behavioral such as learned or instinctual activities and actions structures function to help the animal

grow survive behave or reproduce standard 4 1 1

functions of animal adaptations give the function of each - Dec 20 2021

web functions of animal adaptations the following shows a list of adaptations found in animals give the function of each

adaptation and name the animal adaptations layer of fat and blubber around body function animal adaptation long muscular

neck and long flexible tongue function animal adaptation produces very little sweat and urine

animal adaptations complete guide types of animal - Oct 10 2023

web physiological adaptations are metabolic changes in an animal that help them to survive for example a snake s ability to

produce venom a mammal s ability to maintain constant body temperature the release of toxins or poisons the release of

antifreeze proteins to avoid freezing in cold environments etc

animal adaptation an overview sciencedirect topics - Feb 02 2023

web among aquatic animals adaptations include migration in and out of seasonally inundated areas or along an axis of

inundation and drainage timing of reproduction to match the flood pulse and dormancy to survive dry periods the effect on

reproduction can be accounted by stress functions as for instance the hermetic model developed by

adaptation understanding evolution - Mar 03 2023

web adaptations help an organism survive and or reproduce in its current environment adaptations can take many forms a

behavior that allows better evasion of predators a protein that functions better at body temperature or an anatomical feature

that allows

functions of animal adaptations vtaide com - Nov 18 2021

web functions of animal adaptations the following shows a list of adaptations found in animals give the function of each

adaptation and name the animal adaptation fur turns white during the cold snowy winter months function

16 fascinating adaptations of animals wildlife informer - Apr 23 2022

web animals have adaptations to help them survive in their environment some adaptations help them find food some help them escape predators and some help them stay cool or warm animal adaptations can be either physical or behavioral

animal adaptations sas - Jan 21 2022

web the animal design must include at least 2 physical adaptations that enable the animal to survive in its environment at least 1 behavioral adaptation that enables the animal to survive in its environment and a description of how each adaptation enables the

animal adaptations uen utah education network - Aug 28 2022

web an effective way that animals adapt to their environment is through migration many animals travel from one habitat to another in order to avoid cold or warm temperatures find food and find a suitable place to raise their young many birds butterflies whales and fish migrate to warmer climates every year monarch butterflies

adaptation wikipedia - Jan 01 2023

web all adaptations help organisms survive in their ecological niches the adaptive traits may be structural behavioural or physiological structural adaptations are physical features of an organism such as shape body covering armament and internal organization

animal adaptations evolution of forms and functions google - Jun 25 2022

web jun 30 2015 an adaptation or adaptive trait is any heritable trait that enables organisms to survive through natural selection and reproduce better under prevailing environmental conditions natural selection tends to preserve beautiful adaptation in populations and discard harmful ones

planning and positioning in mri worldcat org - Mar 30 2022

web planning and positioning in mri 0 reviews author anne bright print book english 2012 edition view all formats and editions publisher elsevier churchill livingstone elsevier science distributor sydney n s w oxford 2012

planning and positioning in mri 1e pdf free download - Oct 05 2022

web over 200 mr images formulaic internal design assist use as clinical manual to mri planning evidence base provided where appropriate cranial neurology image selection assist learning principles that underpin good positioning and anatomical coverage explores positioning of patient and coils specific to individual treatment requirements evolve

planning and positioning in mri e book kindle edition by - Apr 30 2022

web aug 26 2011 positioning in mri is a clinical manual about the creation of magnetic resonance images this manual focuses upon patient positioning and image planning the manual is organised by body region and provides valuable insight

into patient pathology on mri considerations when positioning both the patient and coil imaging

planning and positioning in mri e book by anne bright ebook - Dec 07 2022

web this manual is a comprehensive highly visual reference to the planning and positioning of patients and coils in mr imaging high quality imaging specific to patient pathology is encouraged through the focus on considerations specific to coil and patient placement and imaging plane selection

download pdf planning and positioning in mri ebook read - Feb 26 2022

web planning and positioning in mri written by anne bright and has been published by elsevier australia this book supported file pdf txt epub kindle and other format this book has been release on 2011 with medical categories positioning in mri is a clinical manual about the creation of magnetic resonance images

[planning and positioning in mri e book google play](#) - May 12 2023

web this manual is a comprehensive highly visual reference to the planning and positioning of patients and coils in mr imaging high quality imaging specific to patient pathology is encouraged

[planning and positioning in mri e book pdfneed](#) - Dec 27 2021

web this manual is a comprehensive highly visual reference to the planning and positioning of patients and coils in mr imaging high quality imaging specific to patient pathology is encouraged through the focus on considerations specific to coil and patient placement and imaging plane selection

mri brain protocols planning positioning and indications - Jul 14 2023

web plan the sagittal slices on the axial plane and position the block parallel to the midline of the brain verify the planning block in the other two planes angle the planning block appropriately in the coronal plane ensuring it is parallel to the line along the midline of the brain and the 4th ventricle

planning and positioning in mri e book 1st edition - Jan 08 2023

web aug 26 2011 planning and positioning in mri e book 1st edition positioning in mri is a clinical manual about the creation of magnetic resonance images this manual focuses upon patient positioning and image planning formulaic internal design assist use as clinical manual to mri planning

planning and positioning in mri anne bright google books - Aug 15 2023

web positioning in mri is a clinical manual about the creation of magnetic resonance images this manual focuses upon patient positioning and image planning the manual is organised by body

planning and positioning in mri 1st edition amazon com - Sep 04 2022

web dec 27 2011 positioning in mri is a clinical manual about the creation of magnetic resonance images this manual focuses upon patient positioning and image planning the manual is organised by body region and provides valuable insight

into patient pathology on mri considerations when positioning both the patient and coil imaging

planning and positioning in mri e book barnes noble - Jun 01 2022

web aug 26 2011 this manual is a comprehensive highly visual reference to the planning and positioning of patients and coils in mr imaging high quality imaging specific to patient pathology is encouraged through the focus on considerations specific to coil and patient placement and imaging plane selection

planning and positioning in mri by anne bright booktopia - Aug 03 2022

web positioning in mri is a clinical manual about the creation of magnetic resonance images this manual focuses upon patient positioning and image planning the manual is organised by body region and provides valuable insight into patient pathology on mri considerations when positioning both the patient and coil imaging planes

elsevier planning and positioning in mri e book by anne bright - Feb 09 2023

web positioning in mri is a clinical manual about the creation of magnetic resonance images this manual focuses upon patient positioning and image planning the manual is organised by body region and provides valuable insight into patient pathology on mri considerations when positioning both the patient and coil imaging planes

planning and positioning in mri pdf pdf scribd - Jun 13 2023

web mar 14 2011 the intent that underpins planning and positioning wendy strugnell bapsc mit in mri is to assist the practitioner in developing director of mri services the prince charles good principles in determining precise image orientation and alignment hospital brisbane australia

pdf planning and positioning in mri 1e by anne bright - Jan 28 2022

web feb 3 2020 asedbharad published on february 3 2020 pdf planning and positioning in mri 1e by anne bright

planning and positioning in mri e book goodreads - Jul 02 2022

web dec 3 2009 5 ratings0 reviews positioning in mri is a clinical manual about the creation of magnetic resonance images this manual focuses upon patient positioning and image planning the manual is organised by body region and provides valuable insight into this manual is a comprehensive highly visual reference to the planning and positioning of

magnetic resonance imaging patient positioning statpearls - Apr 11 2023

web dec 11 2022 the patient positioning is identical to routine brain imaging pulmonary angiography the coil must be placed straight to the center of the mr table with the patient in the supine position the coil must be placed while the arms are raised above the head the center of the coil must be at the center of the sternum

planning and positioning in mri e book on apple books - Nov 06 2022

web this manual is a comprehensive highly visual reference to the planning and positioning of patients and coils in mr imaging high quality imaging specific to patient pathology is encouraged through the focus on considerations specific to coil

and patient placement and imaging plane selection

pdf magnetic resonance imaging patient positioning - Mar 10 2023

web dec 15 2020 in magnetic resonance imaging patient positioning is vital to obtain good quality and ultimately an appropriate diagnosis however there are numerous approaches for patient positioning

what is another word for beyond doubt wordhippo - Feb 03 2022

web find 1 727 synonyms for beyond doubt and other similar words that you can use instead based on 4 separate contexts from our thesaurus what s another word for beyond

beyond your shadows of doubt by judy katz goodreads - Jul 20 2023

web beyond your shadows of doubt book read reviews from world s largest community for readers melt your resistance to fear and embrace your creative powerd

beyond a shadow of a doubt kindle edition amazon com - Jul 08 2022

web sep 8 2012 beyond a shadow of a doubt kindle edition by sapp roger download it once and read it on your kindle device pc phones or tablets use features like

beyond the shadow of a doubt neufeld gerald archive org - May 06 2022

web beyond the shadow of a doubt by neufeld gerald publication date 2012 publisher novel voices press l eng old pallet ia wl 0000209 openlibrary edition ol37854364m

beyondyourshadowsofdoubtenglishedition pdf - Jan 02 2022

web offers advice to move beyond the fears and doubts that prevent individuals from creating a life that reflects who they truly are and discusses how to rewrite the internal worry

beyond your shadows of doubt english edition copy - Mar 16 2023

web beyond your shadows of doubt english edition 5 5 trilogythe shadow of what was lostan echo of things to comethe light of all that falls other press llc the great

definition of beyond the shadow of a doubt collins online - Sep 10 2022

web nov 20 2023 beyond the shadow of a doubt definition with certainty definitely meaning pronunciation translations and examples

beyond your shadows of doubt ascend out of by katz judy k - Feb 15 2023

web oct 29 2013 melt your resistance to fear and embrace your creative power discover the magic and miracles that come from releasing your resistance to what is learn how

meaning of beyond a shadow of a doubt in english cambridge - Jan 14 2023

web meaning of beyond a shadow of a doubt in english beyond a shadow of a doubt idiom add to word list c2 if you know or

believe something beyond a shadow of a doubt you

beyond without a shadow of a doubt cambridge - Dec 13 2022

web if something is true beyond a shadow of a doubt there is no doubt that it is true this is without a shadow of a doubt the best movie i ve seen all year it proved beyond a

beyond your shadows of doubt ascend out of fear and conflict - Oct 23 2023

web beyond your shadows of doubt ascend out of fear and conflict into confidence and authentic power katz judy k amazon sg books

beyond your shadows of doubt english edition pdf uniport edu - Oct 11 2022

web beyond your shadows of doubt english edition 2 14 downloaded from uniport edu ng on april 18 2023 by guest the whispering roots cecil day lewis 1970 beyond your

beyond a shadow of a doubt cambridge english thesaurus with - Aug 09 2022

web beyond a shadow of a doubt thesaurus certain about something beyond a shadow of a doubt these are words and phrases related to beyond a shadow of a doubt click

beyond a shadow of a doubt definition meaning merriam - Mar 04 2022

web jul 24 2023 the meaning of beyond doubt is without question definitely how to use beyond doubt in a sentence

beyond a shadow of a doubt cambridge english thesaurus with - Nov 12 2022

web go to the thesaurus article about these synonyms and antonyms of beyond a shadow of a doubt learn more if you are certain about something you know that it is accurate or

beyond your shadows of doubt by judy k katz open library - Aug 21 2023

web oct 29 2013 beyond your shadows of doubt ascend out of fear and conflict into confidence and authentic power by judy k katz 0 ratings 0 want to read 0 currently

beyond your shadows of doubt english edition by judy katz - Dec 01 2021

web another word for beyond shadow of doubt beyond a shadow of a doubt vocabulary englishclub beyond the shadow of a doubt hippie wiki fandom beyond the shadows

beyond your shadows of doubt english edition kindle edition - May 18 2023

web beyond your shadows of doubt english edition ebook katz judy amazon nl kindle store

beyond your shadows of doubt kindle edition amazon com au - Jun 19 2023

web melt your resistance to fear and embrace your creative power discover the magic and miracles that come from releasing your resistance to what is learn how to live from

beyond your shadows of doubt kindle edition amazon com - Apr 17 2023

web nov 4 2013 1 how to ascend out of your automatic fight flight freeze reactions when you experience fear and conflict between your desires and your present reality 2 the two

beyondyourshadowsofdoubtenglishedition download only - Jun 07 2022

web strategy is now the time to save your inner tortoise this is an ideal book if more of the same in your life is not an option you will learn simple and effective ways to

what is another word for beyond a shadow of a doubt wordhippo - Apr 05 2022

web beyond compare beyond comparison beyond any shadow of a doubt beyond any doubt beyond all reason beyond all hope beyond all bounds beyond a doubt find

beyond your shadows of doubt english edition pdf uniport edu - Sep 22 2023

web sep 5 2023 beyond your shadows of doubt english edition 1 11 downloaded from uniport edu ng on september 5 2023 by guest beyond your shadows of doubt