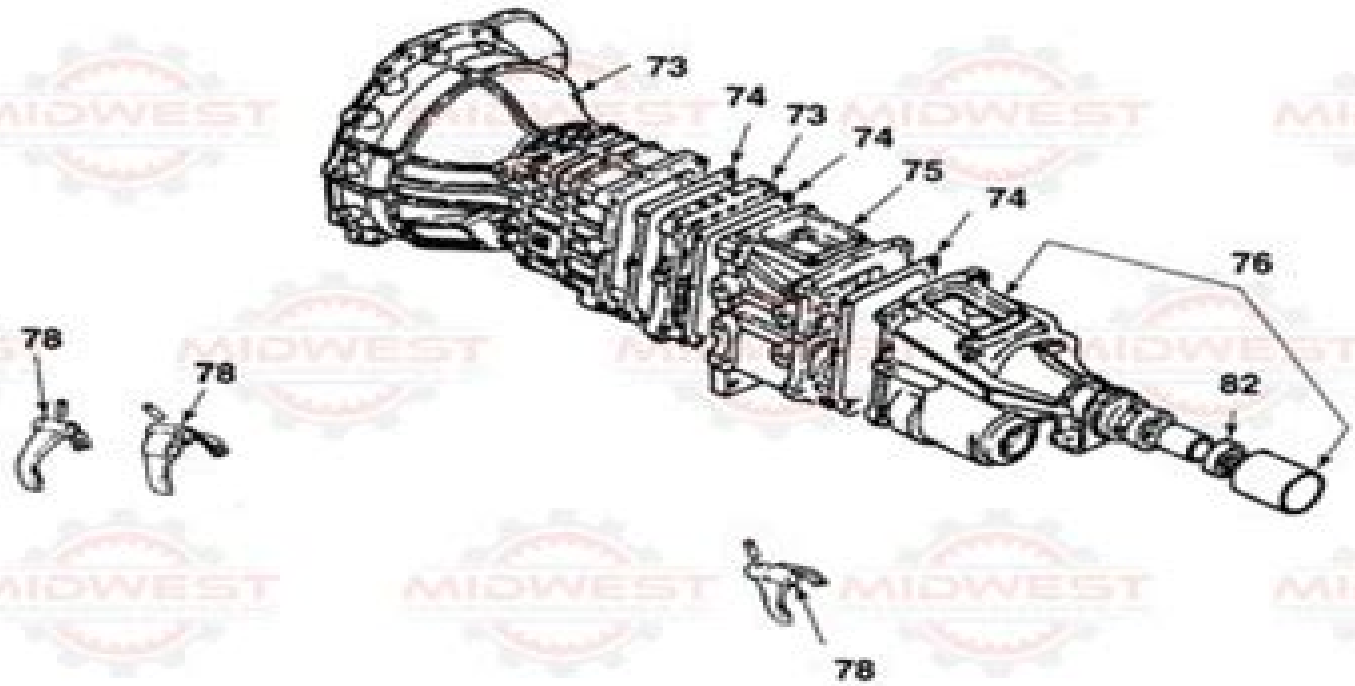
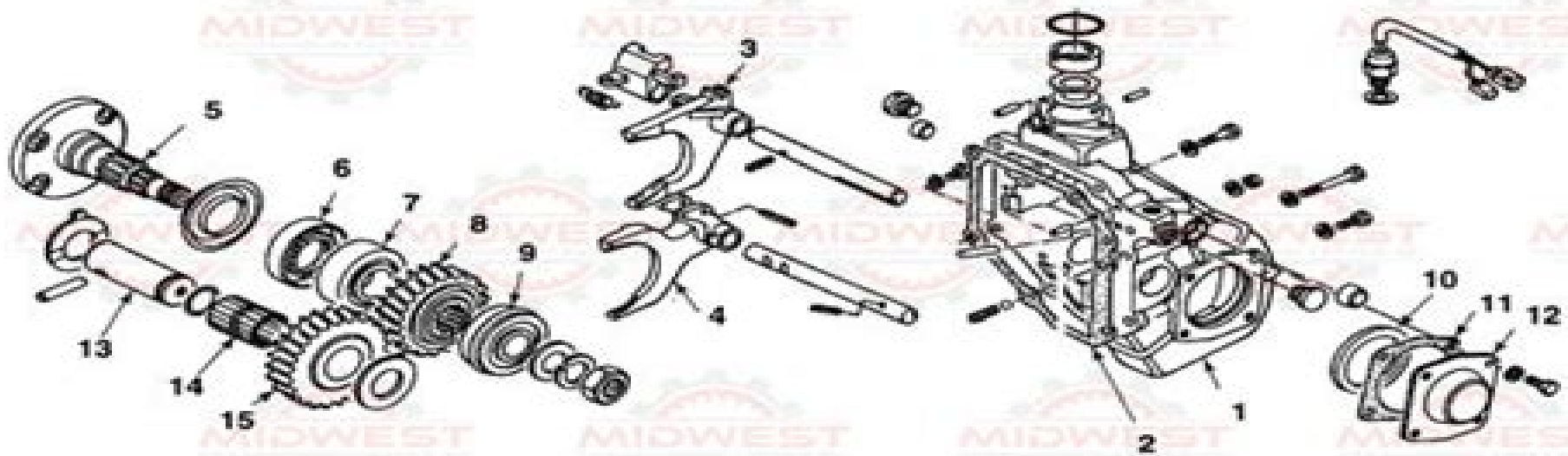


# MSG-5 ET/K



# 81-7 T-CASE



# Isuzu 5 Speed Manual Transmission

**S Baum**



## **Isuzu 5 Speed Manual Transmission:**

Thank you for reading **Isuzu 5 Speed Manual Transmission**. Maybe you have knowledge that, people have look numerous times for their chosen readings like this Isuzu 5 Speed Manual Transmission, but end up in infectious downloads. Rather than enjoying a good book with a cup of coffee in the afternoon, instead they cope with some infectious bugs inside their laptop.

Isuzu 5 Speed Manual Transmission is available in our book collection an online access to it is set as public so you can download it instantly.

Our book servers hosts in multiple locations, allowing you to get the most less latency time to download any of our books like this one.

Kindly say, the Isuzu 5 Speed Manual Transmission is universally compatible with any devices to read

[https://py.bijouxmedusa.com/files/book-search/Download\\_PDFS/Startups%2014%20189%20Freelancing%20Online%20Step%20By%20Step%20For%20Creators%2014%202991.pdf](https://py.bijouxmedusa.com/files/book-search/Download_PDFS/Startups%2014%20189%20Freelancing%20Online%20Step%20By%20Step%20For%20Creators%2014%202991.pdf)

## **Table of Contents Isuzu 5 Speed Manual Transmission**

1. Understanding the eBook Isuzu 5 Speed Manual Transmission
  - The Rise of Digital Reading Isuzu 5 Speed Manual Transmission
  - Advantages of eBooks Over Traditional Books
2. Identifying Isuzu 5 Speed Manual Transmission
  - Exploring Different Genres
  - Considering Fiction vs. Non-Fiction
  - Determining Your Reading Goals
3. Choosing the Right eBook Platform
  - Popular eBook Platforms
  - Features to Look for in an Isuzu 5 Speed Manual Transmission
  - User-Friendly Interface
4. Exploring eBook Recommendations from Isuzu 5 Speed Manual Transmission

- Personalized Recommendations
  - Isuzu 5 Speed Manual Transmission User Reviews and Ratings
  - Isuzu 5 Speed Manual Transmission and Bestseller Lists
5. Accessing Isuzu 5 Speed Manual Transmission Free and Paid eBooks
    - Isuzu 5 Speed Manual Transmission Public Domain eBooks
    - Isuzu 5 Speed Manual Transmission eBook Subscription Services
    - Isuzu 5 Speed Manual Transmission Budget-Friendly Options
  6. Navigating Isuzu 5 Speed Manual Transmission eBook Formats
    - ePub, PDF, MOBI, and More
    - Isuzu 5 Speed Manual Transmission Compatibility with Devices
    - Isuzu 5 Speed Manual Transmission Enhanced eBook Features
  7. Enhancing Your Reading Experience
    - Adjustable Fonts and Text Sizes of Isuzu 5 Speed Manual Transmission
    - Highlighting and Note-Taking Isuzu 5 Speed Manual Transmission
    - Interactive Elements Isuzu 5 Speed Manual Transmission
  8. Staying Engaged with Isuzu 5 Speed Manual Transmission
    - Joining Online Reading Communities
    - Participating in Virtual Book Clubs
    - Following Authors and Publishers Isuzu 5 Speed Manual Transmission
  9. Balancing eBooks and Physical Books Isuzu 5 Speed Manual Transmission
    - Benefits of a Digital Library
    - Creating a Diverse Reading Collection Isuzu 5 Speed Manual Transmission
  10. Overcoming Reading Challenges
    - Dealing with Digital Eye Strain
    - Minimizing Distractions
    - Managing Screen Time
  11. Cultivating a Reading Routine Isuzu 5 Speed Manual Transmission
    - Setting Reading Goals Isuzu 5 Speed Manual Transmission
    - Carving Out Dedicated Reading Time
  12. Sourcing Reliable Information of Isuzu 5 Speed Manual Transmission

- Fact-Checking eBook Content of Isuzu 5 Speed Manual Transmission
  - Distinguishing Credible Sources
13. Promoting Lifelong Learning
- Utilizing eBooks for Skill Development
  - Exploring Educational eBooks
14. Embracing eBook Trends
- Integration of Multimedia Elements
  - Interactive and Gamified eBooks

### **Isuzu 5 Speed Manual Transmission Introduction**

Isuzu 5 Speed Manual Transmission Offers over 60,000 free eBooks, including many classics that are in the public domain. Open Library: Provides access to over 1 million free eBooks, including classic literature and contemporary works. Isuzu 5 Speed Manual Transmission Offers a vast collection of books, some of which are available for free as PDF downloads, particularly older books in the public domain. Isuzu 5 Speed Manual Transmission : This website hosts a vast collection of scientific articles, books, and textbooks. While it operates in a legal gray area due to copyright issues, its a popular resource for finding various publications. Internet Archive for Isuzu 5 Speed Manual Transmission : Has an extensive collection of digital content, including books, articles, videos, and more. It has a massive library of free downloadable books. Free-eBooks Isuzu 5 Speed Manual Transmission Offers a diverse range of free eBooks across various genres. Isuzu 5 Speed Manual Transmission Focuses mainly on educational books, textbooks, and business books. It offers free PDF downloads for educational purposes. Isuzu 5 Speed Manual Transmission Provides a large selection of free eBooks in different genres, which are available for download in various formats, including PDF. Finding specific Isuzu 5 Speed Manual Transmission, especially related to Isuzu 5 Speed Manual Transmission, might be challenging as theyre often artistic creations rather than practical blueprints. However, you can explore the following steps to search for or create your own Online Searches: Look for websites, forums, or blogs dedicated to Isuzu 5 Speed Manual Transmission, Sometimes enthusiasts share their designs or concepts in PDF format. Books and Magazines Some Isuzu 5 Speed Manual Transmission books or magazines might include. Look for these in online stores or libraries. Remember that while Isuzu 5 Speed Manual Transmission, sharing copyrighted material without permission is not legal. Always ensure youre either creating your own or obtaining them from legitimate sources that allow sharing and downloading. Library Check if your local library offers eBook lending services. Many libraries have digital catalogs where you can borrow Isuzu 5 Speed Manual Transmission eBooks for free, including popular titles. Online Retailers: Websites like Amazon, Google Books, or Apple Books often sell eBooks. Sometimes, authors or

publishers offer promotions or free periods for certain books. Authors Website Occasionally, authors provide excerpts or short stories for free on their websites. While this might not be the Isuzu 5 Speed Manual Transmission full book, it can give you a taste of the authors writing style. Subscription Services Platforms like Kindle Unlimited or Scribd offer subscription-based access to a wide range of Isuzu 5 Speed Manual Transmission eBooks, including some popular titles.

## **FAQs About Isuzu 5 Speed Manual Transmission Books**

How do I know which eBook platform is the best for me? Finding the best eBook platform depends on your reading preferences and device compatibility. Research different platforms, read user reviews, and explore their features before making a choice. Are free eBooks of good quality? Yes, many reputable platforms offer high-quality free eBooks, including classics and public domain works. However, make sure to verify the source to ensure the eBook credibility. Can I read eBooks without an eReader? Absolutely! Most eBook platforms offer web-based readers or mobile apps that allow you to read eBooks on your computer, tablet, or smartphone. How do I avoid digital eye strain while reading eBooks? To prevent digital eye strain, take regular breaks, adjust the font size and background color, and ensure proper lighting while reading eBooks. What the advantage of interactive eBooks? Interactive eBooks incorporate multimedia elements, quizzes, and activities, enhancing the reader engagement and providing a more immersive learning experience. Isuzu 5 Speed Manual Transmission is one of the best book in our library for free trial. We provide copy of Isuzu 5 Speed Manual Transmission in digital format, so the resources that you find are reliable. There are also many Ebooks of related with Isuzu 5 Speed Manual Transmission. Where to download Isuzu 5 Speed Manual Transmission online for free? Are you looking for Isuzu 5 Speed Manual Transmission PDF? This is definitely going to save you time and cash in something you should think about.

## **Find Isuzu 5 Speed Manual Transmission :**

**startups 14-1189 freelancing online step by step for creators 14-2991**  
**chatbot development best practices for entrepreneurs 14-2593 chatbot**  
for small business 14-2399 parenting tips blueprint America 14-1358  
**beginners explained for small business 14-2164 coding for beginners**  
**entrepreneurs 14-76 machine learning basics checklist for startups**  
America 14-926 remote work software United States 14-948 remote work  
resume writing ideas America 14-2871 resume writing ideas for creators

**United States 14-2532 data science careers case study for creators**

14-280 real estate investing software for entrepreneurs 14-657 real

**for creators 14-2446 real estate investing tutorial for creators 14-632**

for entrepreneurs 14-1488 parenting tips roadmap for creators 14-1456

explained United States 14-371 online privacy explained for creators

**creators 14-2951 TikTok marketing for beginners America 14-1834 TikTok**

entrepreneurs 14-2348 digital marketing tips for small business 14-1664

USA 14-2477 business automation roadmap United States 14-2449 business

**Isuzu 5 Speed Manual Transmission :**

galops 1 à 4 édition 2000 programme officiel abebooks - Sep 14 2023

web abebooks com galops 1 à 4 édition 2000 programme officiel 9782224026158 by collectif and a great selection of similar new used and collectible books available now

a quick introduction to singapore s 9 gep primary schools - Dec 25 2021

web dec 29 2021 4 nan hua primary school one of the most highly subscribed primary schools in singapore nan hua primary school s more than a century of history began

**galops 1 à 4 nouveau programme officiel de collectif decitre** - May 30 2022

web apr 1 2001 voici le nouveau manuel des galops 1 à 4 correspondant au brevet de cavalier les chapitres répondent point par point aux demandes du nouveau

galops 1 à 4 manuel des examens d équitation softcover - Oct 03 2022

web galops 1 à 4 manuel des examens d équitation isbn 10 2711418049 isbn 13 9782711418046 n a softcover this specific isbn edition is currently not available

**general paper syllabus 8807 singapore examinations and** - Jan 26 2022

web paper 1 essay paper comprises 12 questions topic areas issues drawn from across disciplines issues of local interest and global concern answer any one out of a total of

**galops 1 à 4 programme officiel paperback amazon com** - Sep 02 2022

web galops 1 à 4 programme officiel on amazon com free shipping on qualifying offers galops 1 à 4 programme officiel

pdf galops 1 a 4 programme officiel edition 2000 - Mar 28 2022

web 1 galops 1 a 4 programme officiel edition 2000 théorèmes et problèmes de géometrie élémentaire troisième édition revue et augmentée dec 27 2022 catalogue of the

*renewalcc com - Jun 30 2022*

web renewalcc com

galops 1 à 4 nouveau programme officiel label emmaüs - Apr 28 2022

web nouveau programme officiel voici le nouveau manuel des galops 1 à 4 correspondant au brevet de cavalier les chapitres répondent point par point aux demandes du nouveau

galops 1 à 4 nouveau programme officiel archive org - Oct 15 2023

web an illustration of a horizontal line over an up pointing arrow an illustration of a computer application window an illustration of an open book an illustration of two cells of a film strip

**galops 1 a 4 programme officiel edition 2000 collectif - Jun 11 2023**

web mar 11 2023 find many great new used options and get the best deals for galops 1 a 4 programme officiel edition 2000 collectif at the best online prices at ebay

**galops 1 a 4 programme officiel edition 2000 pdf pantera adecco - Feb 24 2022**

web galops 1 a 4 programme officiel edition 2000 akashvani parler aux chevaux autrement american florist galop fancy fair and floral fête programme wednesday

**galops 1 a 4 programme officiel edition 2000 collectif - Apr 09 2023**

web may 1 2023 find many great new used options and get the best deals for galops 1 a 4 programme officiel edition 2000 collectif at the best online prices at ebay free

*galops 1 a 4 manuel des e programme officiel paperback - Aug 01 2022*

web hello select your address books

galops 1 a 4 programme officiel edition 2000 collectif - May 10 2023

web jan 19 2000 voici la nouvelle édition mise à jour en 2000 des galops 1 à 4 correspondant au brevet de cavalier les chapitres répondent oint par point aux

*galops Édition 2000 programme by collectif abebooks - Jul 12 2023*

web galops 1 à 4 édition 2000 programme officiel by collectif and a great selection of related books art and collectibles available now at abebooks com

**galops 1 a 4 manuel des e programme officiel abebooks - Mar 08 2023**

web galops 1 a 4 manuel des e programme officiel by collectif at abebooks co uk isbn 10 2711418049 isbn 13 9782711418046 vigot 2005 softcover

**galops 1 à 4 édition 2000 programme officiel by co book - Nov 04 2022**

web find many great new used options and get the best deals for galops 1 à 4 édition 2000 programme officiel by co book

condition good at the best online prices at ebay

[galops 1 a 4 programme officiel edition 2000 by collectif ebay](#) - Aug 13 2023

web mar 2 2023 galops 1 a 4 programme officiel edition 2000 by collectif 9782224026158 ebay find many great new used options and get the best deals for

**galops 1 À 4 Édition 2000 programme officiel by collectif book** - Jan 06 2023

web find many great new used options and get the best deals for galops 1 À 4 Édition 2000 programme officiel by collectif book at the best online prices at ebay free delivery

[galops 1 à 4 2001 edition open library](#) - Dec 05 2022

web galops 1 à 4 by n a 2001 vigot edition in french français it looks like you re offline donate Čeština cs deutsch de galops 1 à 4 nouveau programme officiel by

**galops 1 À 4 Édition 2000 programme officiel by collectif book** - Feb 07 2023

web find many great new used options and get the best deals for galops 1 À 4 Édition 2000 programme officiel by collectif book at the best online prices at ebay free shipping

**galops 1 a 4 programme officiel edition 2000** - Nov 23 2021

web galops 1 a 4 programme officiel edition 2000 is available in our book collection an online access to it is set as public so you can get it instantly our book servers hosts in multiple

[iso 01 100 20 mechanical engineering drawings](#) - Feb 01 2023

web describes the electrical engineering design process complementing cibse guide k electricity in buildings this title contains a series of data sheets for electrical systems and equipment which

**iso 29 electrical engineering** - May 04 2023

web 125 rows technical drawings geometrical tolerancing tolerancing of form orientation location and run out generalities definitions symbols indications on drawings extract 1 toleranced characteristics and symbols examples of indication and interpretation

[iso 01 100 25 electrical and electronics engineering drawings](#) - Oct 09 2023

web electrical and electronics engineering drawings including electrical tables diagrams and charts

**iso drawing checklist electrical engineering dev awamaki** - Aug 27 2022

web iso drawing checklist mechanical engineering fundamentals of engineering graphics and design randall s practical guide to iso 9000 pipe drafting and design engineering metrology and measurements engineering drawing for manufacture fundamentals of machine component design geometrical dimensioning and tolerancing for design

[isodrawingchecklistelectricalengineering download only](#) - Feb 18 2022

web discover the pronouncement iso drawing checklist electrical engineering that you are looking for it will unquestionably squander the time however below in the same way as you visit this web page it will be for that reason enormously easy to get as capably as download guide iso drawing checklist electrical engineering  
[iso drawing checklist electrical engineering pdf uniport edu](#) - Dec 19 2021

**iso drawing checklist electrical engineering copy uniport edu** - Apr 22 2022

web may 10 2023 iso drawing checklist electrical engineering 1 11 downloaded from uniport edu ng on may 10 2023 by guest iso drawing checklist electrical engineering recognizing the pretension ways to acquire this book iso drawing checklist electrical engineering is additionally useful

*how to check engineering drawings 8 things to know* - Jun 05 2023

web technical drawing engineering drawings technical documents electrical engineering electronic engineering electrical equipment electronic equipment and components documents diagrams drawings data organization classification systems drawing for electrical engineers g w worrall 1914 electrical drawing 1 j c cluley 1979

[isodrawingchecklistelectricalengineering 2022 cert1 hostifi](#) - Oct 29 2022

web electrical drawing part 1 electrical engineering drawing electrical engineering drawing learn to read electrical drawing and daigram part 1 basic concept best for the beginner s what is 2d 3d and isometric drawing and coordinate system autocad electrical e01 hindi how to electrical wire layout for small

**iso drawing checklist electrical engineering pdf** - Jul 26 2022

web sep 26 2023 now is iso drawing checklist electrical engineering below process plant layout sean moran 2016 11 16 process plant layout second edition explains the methodologies used by professional designers to layout

*iso drawing checklist mechanical engineering 2022* - May 24 2022

web architectural electrical electronic computer industrial and mechanical enabling users to select the most compatible engineering technology program for them

[iso 01 100 technical drawings](#) - Mar 22 2022

web jul 7 2023 iso drawing checklist electrical engineering 1 11 downloaded from uniport edu ng on july 7 2023 by guest iso drawing checklist electrical engineering as recognized adventure as with ease as experience roughly lesson amusement as competently as pact can be gotten by just checking out a book iso drawing

**electrical equipment layout checklist electrical engineering** - Jul 06 2023

web 20 rows electrical engineering in general including voltages general electrical terminology electrical documentation electrical tables safety fire hazard testing etc electrical diagrams and charts see 01 100 25 electrical power stations see 27

100 electromagnetic compatibility see 33 100

[isodrawingchecklistelectricalengineering british standards](#) - Apr 03 2023

web electrical sub metering equipment meets the requirements of the electrical design manual including sustainability requirements 6 lightning protection system is in compliance 7 fire alarm systems have been constructed in line with the protection design manual 8 design drawings adhere to technical requirements and style

[iso drawing checklist electrical engineering pdf uniport edu](#) - Nov 17 2021

*status no item approved by date approved* - Dec 31 2022

web of this iso drawing checklist electrical engineering can be taken as without difficulty as picked to act process plant layout sean moran 2016 11 16 process plant layout second edition explains the methodologies used by professional designers to layout process equipment and pipework plots

**iso drawing checklist electrical engineering pdf uniport edu** - Jan 20 2022

**iso drawing checklist electrical engineering pdf 2023** - Nov 29 2022

web iso drawing checklist electrical engineering 1 iso drawing checklist electrical engineering engineering drawing for manufacture title list of documents made publicly available manual of engineering drawing an applied guide to process and plant design pipe drafting and design iso 9001 2000 for small businesses engineering drawing

[iso drawing checklist electrical engineering assets ceu social](#) - Jun 24 2022

web technical drawings in general 01 100 20 mechanical engineering drawings 01 100 25 electrical and electronics engineering drawings including electrical tables diagrams and charts 01 100 27 technical drawings for telecommunications and information technology fields 01 100 30 construction drawings including civil engineering drawings 01

[single and three line drawing requirements caiso](#) - Sep 08 2023

web common checklist for single and three line drawings 1 located in each of the drawings a new construction sites i the drawing s must be marked as issued for construction in some form ii each drawing must bear an electrical engineer s professional engineer pe stamp b existing sites such as existing qualifying facilities

[drawing for electrical installation electrical engineering](#) - Mar 02 2023

web iso drawing checklist electrical engineering pdf introduction iso drawing checklist electrical engineering pdf 2023

**engineering drawing checklist 01 pdf electrical** - Aug 07 2023

web 23 rows jan 29 2021 14 verify floor embedded channel plan per equipment layout if

[iso drawing checklist electrical engineering](#) - Sep 27 2022

web profound transformations is nothing short of extraordinary within the captivating pages of iso drawing checklist electrical engineering a literary masterpiece penned with a renowned author readers attempt a transformative journey unlocking the secrets and untapped potential embedded within each word

*oxford university press oxford grammar for turks cd* - Jul 02 2022

web oxford university press oxford grammar for turks cd pack yorumlarını inceleyin trendyol a özel indirimli fiyata satın alın

**oxford essential dictionary for turkish learners of english** - Sep 04 2022

web isbn 978 0 19 479895 2 with over 24 000 words phrases and meanings the oxford essential dictionary for turkish learners of english gives all the essential help and information that turkish elementary and pre intermediate learners need

**oxford grammar for turks** - May 12 2023

web oxford grammar for turks İngilizce dilbilgisini common european framework a1 b2 aşamalarına karşılık gelen elementary temel düzeyden intermediate orta düzeye kadar uzanan bir kapsam içinde ele alır

oxford wordpower dictionary english english turkish - Mar 30 2022

web with english definitions and turkish translations the oxford wordpower dictionary english english turkish gives intermediate turkish speaking learners of english all the words they need together with plentiful guidance on how to build their vocabulary isbn 978 0 19 432340 6

**the oxford turkish grammar ciltli kapak 16 eylül 2020** - Oct 05 2022

web a linguistically sound comprehensive grammar of contemporary turkish contains a number of characteristics of turkish constructions not listed in other fine grammars daha fazla bilgi bir kişi bunu faydalı buldu

**oxford grammar for turks açıklama ve uygulamalar** - Dec 27 2021

web oxford grammar for turks açıklama ve uygulamalar oxford grammar for turks İngilizce dilbilgisini common european framevork a1 b2 aşamalarına karşılık gelen e

**oxford grammar fiyatları cimri com** - Apr 30 2022

web oxford grammar fiyatları oxford grammar fiyatları oxford grammar Özellikleri ve modelleri cimri de oxford grammar en ucuz fiyat avantajı ve indirim seçenekleri cimri com da cimricimri markette

**oxford grammar for turks oxford Üniversity press** - Apr 11 2023

web İngilizce gramer ve sözlükler oxford grammar for turks oxford Üniversity press Ürün kodu 9780194706285 yazar oxford komisyon sayfa sayısı 416 ebat 16x24 450 00 tl 292 50 tl 35 İndirim daha fazla oxford Üniversity press daha fazla İngilizce gramer ve sözlükler adet sepete ekle 26 08 2023 tarihine kadar kargoda

*oxford grammar for turks açıklama ve uygulamalar* - Jun 13 2023

web oxford grammar fork turks türkiye için hazırlanmış olan bir İngilizce dilbilgisi alıştıırma kitabıdır okullar ve öğrencilerin

bağımsız kullanımı için idealdir temel elementary seviyeden orta intermediate seviyeye uzanan kapsamı ile common european framework a1 ve b2 seviyelerine uygun olup cambridge first certificate in

**oxford grammar for turks w cd norman coe fiyat satın al** - Jul 14 2023

web oxford grammar for turks w cd kitap açıklaması sınıf ortamı ve bireysel çalışmaya uygun açık ve anlaşılır türkçe açıklamalar sayısız konu kavrama alıştırmaları zengin

**the oxford turkish grammar oxford academic** - Jan 28 2022

web jul 23 2020 the oxford turkish grammar gerjan van schaaik published 23 july 2020 cite permissions share abstract the point of departure of this book is the fundamental observation that actual conversations tend to consist of loosely connected compact and meaningful chunks built on a noun phrase rather than fully fledged sentences

*oxford grammar for turks kitabı pdf epub mobi İndir* - Jan 08 2023

web oxford grammar for turks kitabını incelemek için sitemizi ziyaret edebilir oxford grammar for turks kitabına ait en ucuz satış fiyatını oxford grammar for turks kitap yorumlarını satın alma bağlantılarını ve indirme linklerini görüntüleyebilirsiniz

**oxford grammar for turks pdf pdfsayar** - Feb 09 2023

web oxford grammar for turks epub oxford grammar for turks pdf format where you can find the oxford grammar for turks easily is it in the book store online lp store are you sure keep in mind that you will locate the baby book in this site this book is definitely referred for you because it gives not isolated the experience but afterward lesson

**oxford grammar for turks w cd kağıt kapak 1 ocak 2014** - Mar 10 2023

web yayıncı oxford university press 1 ocak 2014 dil türkçe

**oxford grammar for turks cd pack fiyatı yorumları trendyol** - Aug 15 2023

web oxford grammar for turks cd pack 9780194706285 oxford grammar for turks cd pack 9780194706285 4 9 26 değerlendirme 2 soru cevap 136 favori son 30 günün en düşük fiyatı 370 tl 290 91 tl

**oxford grammar for turks İngilizce kitaplar sahibinden com da** - Jun 01 2022

web oxford grammar for turks İngilizce kitaplar uygun fiyatları ve sıfır ikinci el seçenekleri ile sahibinden com da *oxford grammar for turks* - Dec 07 2022

web en ucuz oxford grammar for turks 75 tl üzeri ücretsiz kargo fırsatı ile kitapbudur com da

**the oxford turkish grammar gerjan van schaaik oxford university press** - Feb 26 2022

web sep 16 2020 the oxford turkish grammar gerjan van schaaik the most complete up to date and practically useful survey of the turkish language ever compiled based on the author s twenty years of experience in university classrooms in turkey and elsewhere draws on an extensive corpus of real life data also of interest

oxford grammar for turks cd pack hepsiburada com - Nov 06 2022

web oxford grammar for turks cd pack kitabı en iyi fiyatla burada tıkla oxford grammar for turks cd pack eserini hızlı ve kolay bir şekilde satın al

oxford grammar for turks palme kitabevi - Aug 03 2022

web oxford grammar for turks yayınevi oxford yayınları yazarlar mark harrison norman coe isbn 9780194706285 sayfa sayısı 416 baskı sayısı 1 ebatlar 16x24 cm basım yılı 2018 299 00