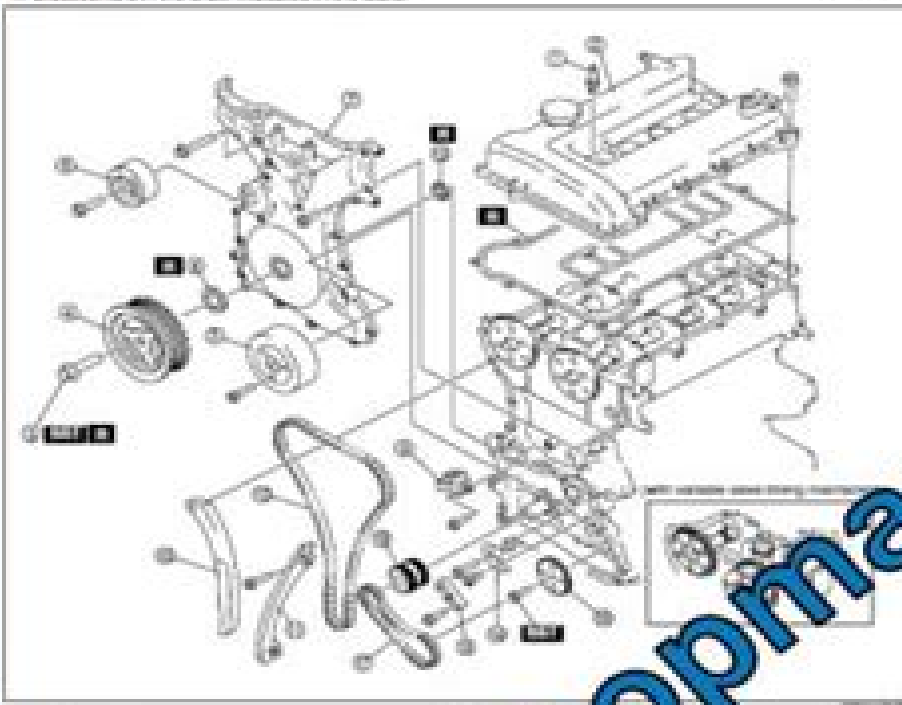


Mazda Premacy 1999-2004 Workshop Manual

MECHANICAL

TIMING CHAIN DISASSEMBLY

1. Disassemble in the order indicated in the table.



1	Timing plug
2	Crankshaft seal cover
3	Crankshaft pulley lock bolt (See 01-10-11 Crankshaft Pulley Lock Bolt Disassembly Note.)
4	Crankshaft pulley
5	Water pump pulley
6	Exhaust side pulley (without sprocket)
7	Engine Seal cover
8	Front oil seal (See 01-10-4 Front Oil Seal Disassembly Note.)

9	Oil pump sprocket (See 01-10-11 Oil Pump Sprocket Disassembly Note.)
10	Oil pump chain guide
11	Oil pump chain
12	Crankshaft sprocket

Crankshaft Pulley Disassembly Note
1. Mark the crankshaft pulley with SST.

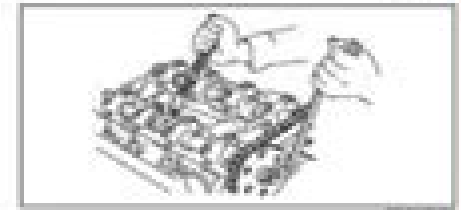
MECHANICAL

- (1) Using a suitable screwdriver or equivalent tool, unlock the chain tensioner ratchet.
- (2) Turn the exhaust camshaft clockwise using a suitable wrench on the cast hexagon and loosen the timing chain.
- (3) Placing the suitable tool (80 x 1.0 Length 25-26 mm (0.9-1.3 in)) at the engine front cover upper blind plug, secure the chain guide at the position where the tension is released.



7. Mark the crankshaft pulley using a suitable screwdriver as shown in the figure.

8. Remove the exhaust camshaft sprocket.



9. Loosen the camshaft cap bolts in several places in the order shown in the figure.



- Note**
- The cylinder head and the camshaft caps are numbered to make sure they are reassembled in their original position. When removed, keep the caps with the cylinder head they were removed from. Do not mix the caps.



10. Remove the camshaft.
11. Remove the tappet.
12. Select proper adjustment wire.

Mazda Premacy Repair Manual

LP Steffe



Mazda Premacy Repair Manual:

Mazda Premacy Workshop Manual, 2001 **Mazda Premacy**, 2002 *Cars & Parts*, 1988 **The Advertising Red Books**, 2005-10 **Mazda Miata 1800** Rod Grainger, Pete Shoemark, 2000 Following the success and critical acclaim of Veloce's original manual for the MX 5 1.6 Miata 1.6 in USA we've once again got our hands oily to bring the reader a new manual on the 1.8 model. Just like its predecessor this new book is phenomenally detailed covering the car from front bumper to rear tailpipe in an informative, helpful and easy to understand manner. Every detail of important repair and maintenance jobs is covered including how to overcome problems without resorting to special tools. Packed with step-by-step photographs and useful line drawings. No owner can afford to be without his unique manual.

Mazda Pick-up Owners Workshop Manual John Harold Haynes, Peter Ward, 1982 [Ford Explorer and Mazda Navajo Automotive Repair Manual](#) Alan Ahlstrand, John Harold Haynes, 1995 Describes basic maintenance as well as repair procedures *Mazda 3 Automotive Repair Manual, 2004-2011* Jeff Killingsworth, John H. Haynes, 2013-01-01 This title provides a total introduction to the maintenance and repair of the Mazda 3 *Mazda Pick-up Owners Workshop Manual* J. H. Haynes, Peter Ward, 1976-06-01

Mazda MX-5 Miata 1.8 Enthusiast's Workshop Manual Rod Grainger, 2017 This is a phenomenally detailed book which covers the car from bumper to bumper. Every detail of important repair and maintenance jobs is covered. Covers all Mk1 cars with pop-up headlights 1.8 litre models 1994-98 the only aftermarket workshop manual available for the MX 5 written in an easy to use friendly style. Step-by-step procedures supported by hundreds of photos covers all aspects of maintenance and repair and applies equally to Eunos Roadster Japanese market model and Mazda Miata US market model *Mazda 626 and MX-6 Automotive Repair Manual* Larry Warren, John Harold Haynes, 1997-12 Mazda 626 FWD 1983-91 Shop Manual Haynes 253 pgs 607 ill

Mazda 323 & Protégé Automotive Repair Manual Louis LeDoux, John Harold Haynes, 1997 Mazda 323 Protégé 1990-97 Shop Manual Haynes 34 pgs 729 b/w ill *Mazda 323 & Protégé Automotive Repair Manual* Louis LeDoux, 2001

Chilton's Mazda Trucks 1987-93 Repair Manual Chilton Book Company, 1999 The Total Car Care series continues to lead all other do-it-yourself automotive repair manuals. This series offers do-it-yourselfers of all levels TOTAL maintenance service and repair information in an easy to use format. Each manual covers all makes format. Each manual covers all makes and models unless otherwise indicated. Based on actual tear-downs. Simple step-by-step procedures for engine overhaul, chassis, electrical, drive train, suspension, steering and more. Trouble codes. Electronic engine controls.

Mazda MPV Automotive Repair Manual Mark Ryan, John Harold Haynes, 1993 **Mazda Pick-Ups Owner's Workshop Manual** Peter Ward, Mike Stubblefield, John Harold Haynes, 1988-01-01 [Mazda 323 Service and Repair Manual](#) Louis LeDoux, 1998 3 door Hatchback 4 door Saloon inc special limited editions Does NOT cover 5 door Hatchback Fastback or Estate Petrol 1.3 litre 1324cc 1.5 litre 1489cc 1.6 litre 1598cc 1.8 litre 1840cc 4 cyl fuel injection Does NOT cover 1.3 litre carburettor or 2.0 litre V6 engines [Ford Ranger and Mazda B-series Pick-ups Automotive Repair Manual](#)

Eric Jorgensen, Alan Ahlstrand, John Harold Haynes, 1996 Haynes disassembles every subject vehicle and documents every step with thorough instructions and clear photos Haynes repair manuals are used by the pros but written for the do it yourselfer

Mazda MX-5 Miata 1.6 Enthusiast's Workshop Manual Rod Grainger, 2017-08-15 With open topped styling and performance evocative of the classic sportscars of the 1960s the Mazda MX 5 Eunos had to be a huge international success and that's exactly what it's become Now a familiar sight on the streets and boulevards of the world the MX 5 is owned by real enthusiasts the kind of people who will want to have hands on involvement with the maintenance and repair of their prized possession For those enthusiasts here is what we believe to be the best easiest to use workshop manual in the world Author Rod Grainger set out to create a new kind of owner's workshop manual friendly easy to understand easy to use and yet more detailed than any other manual currently available two years later the Mazda MX 5 Miata 1.6 Enthusiast's Workshop Manual was the result Rod and fellow enthusiasts Pete and Judith stripped down an MX 5 in an ordinary domestic garage using ordinary tools and in the process took over 1 500 step by step photographs The result of all this work is a superbly detailed text which passes on to the reader every detail of important jobs including how problems can be overcome without resorting to special tools This manual even tells the reader the size of nuts and bolts so they can start work with the right tools and all clearances and torque values are given in the text as the reader needs them At paragraph level a unique symbol system provides cross references or tells the reader that there are helpful associated photos drawings and tables The dreaded words reassembly is a reversal of the dismantling procedure are banned and every task from changing a bulb to rebuilding the gearbox is described in full Besides detailed coverage of maintenance and repairs this manual includes advice on rustproofing cosmetic tuning and mechanical tuning Rod's manual was prepared with the assistance of Mazda and it applies to all 1.6 litre models built between 1989 and 1995 Most of the manual is relevant to later 1.6 litre models too

Mazda Pick-ups Automotive Repair Manual Mike Stubblefield, John Harold Haynes, 1993

When somebody should go to the books stores, search introduction by shop, shelf by shelf, it is in point of fact problematic. This is why we allow the books compilations in this website. It will unconditionally ease you to see guide **Mazda Premacy Repair Manual** as you such as.

By searching the title, publisher, or authors of guide you truly want, you can discover them rapidly. In the house, workplace, or perhaps in your method can be all best area within net connections. If you aspire to download and install the Mazda Premacy Repair Manual, it is totally simple then, previously currently we extend the member to purchase and make bargains to download and install Mazda Premacy Repair Manual consequently simple!

https://py.bijouxmedusa.com/data/detail/Download_PDFS/Checklist%20USA%2067%201163%20Fitness%20Routines%20Checklist%20For%20Creators%2067%201875.pdf

Table of Contents Mazda Premacy Repair Manual

1. Understanding the eBook Mazda Premacy Repair Manual
 - The Rise of Digital Reading Mazda Premacy Repair Manual
 - Advantages of eBooks Over Traditional Books
2. Identifying Mazda Premacy Repair Manual
 - Exploring Different Genres
 - Considering Fiction vs. Non-Fiction
 - Determining Your Reading Goals
3. Choosing the Right eBook Platform
 - Popular eBook Platforms
 - Features to Look for in an Mazda Premacy Repair Manual
 - User-Friendly Interface
4. Exploring eBook Recommendations from Mazda Premacy Repair Manual
 - Personalized Recommendations
 - Mazda Premacy Repair Manual User Reviews and Ratings

- Mazda Premacy Repair Manual and Bestseller Lists
- 5. Accessing Mazda Premacy Repair Manual Free and Paid eBooks
 - Mazda Premacy Repair Manual Public Domain eBooks
 - Mazda Premacy Repair Manual eBook Subscription Services
 - Mazda Premacy Repair Manual Budget-Friendly Options
- 6. Navigating Mazda Premacy Repair Manual eBook Formats
 - ePub, PDF, MOBI, and More
 - Mazda Premacy Repair Manual Compatibility with Devices
 - Mazda Premacy Repair Manual Enhanced eBook Features
- 7. Enhancing Your Reading Experience
 - Adjustable Fonts and Text Sizes of Mazda Premacy Repair Manual
 - Highlighting and Note-Taking Mazda Premacy Repair Manual
 - Interactive Elements Mazda Premacy Repair Manual
- 8. Staying Engaged with Mazda Premacy Repair Manual
 - Joining Online Reading Communities
 - Participating in Virtual Book Clubs
 - Following Authors and Publishers Mazda Premacy Repair Manual
- 9. Balancing eBooks and Physical Books Mazda Premacy Repair Manual
 - Benefits of a Digital Library
 - Creating a Diverse Reading Collection Mazda Premacy Repair Manual
- 10. Overcoming Reading Challenges
 - Dealing with Digital Eye Strain
 - Minimizing Distractions
 - Managing Screen Time
- 11. Cultivating a Reading Routine Mazda Premacy Repair Manual
 - Setting Reading Goals Mazda Premacy Repair Manual
 - Carving Out Dedicated Reading Time
- 12. Sourcing Reliable Information of Mazda Premacy Repair Manual
 - Fact-Checking eBook Content of Mazda Premacy Repair Manual
 - Distinguishing Credible Sources

13. Promoting Lifelong Learning
 - Utilizing eBooks for Skill Development
 - Exploring Educational eBooks
14. Embracing eBook Trends
 - Integration of Multimedia Elements
 - Interactive and Gamified eBooks

Mazda Premacy Repair Manual Introduction

In this digital age, the convenience of accessing information at our fingertips has become a necessity. Whether its research papers, eBooks, or user manuals, PDF files have become the preferred format for sharing and reading documents. However, the cost associated with purchasing PDF files can sometimes be a barrier for many individuals and organizations. Thankfully, there are numerous websites and platforms that allow users to download free PDF files legally. In this article, we will explore some of the best platforms to download free PDFs. One of the most popular platforms to download free PDF files is Project Gutenberg. This online library offers over 60,000 free eBooks that are in the public domain. From classic literature to historical documents, Project Gutenberg provides a wide range of PDF files that can be downloaded and enjoyed on various devices. The website is user-friendly and allows users to search for specific titles or browse through different categories. Another reliable platform for downloading Mazda Premacy Repair Manual free PDF files is Open Library. With its vast collection of over 1 million eBooks, Open Library has something for every reader. The website offers a seamless experience by providing options to borrow or download PDF files. Users simply need to create a free account to access this treasure trove of knowledge. Open Library also allows users to contribute by uploading and sharing their own PDF files, making it a collaborative platform for book enthusiasts. For those interested in academic resources, there are websites dedicated to providing free PDFs of research papers and scientific articles. One such website is Academia.edu, which allows researchers and scholars to share their work with a global audience. Users can download PDF files of research papers, theses, and dissertations covering a wide range of subjects. Academia.edu also provides a platform for discussions and networking within the academic community. When it comes to downloading Mazda Premacy Repair Manual free PDF files of magazines, brochures, and catalogs, Issuu is a popular choice. This digital publishing platform hosts a vast collection of publications from around the world. Users can search for specific titles or explore various categories and genres. Issuu offers a seamless reading experience with its user-friendly interface and allows users to download PDF files for offline reading. Apart from dedicated platforms, search engines also play a crucial role in finding free PDF files. Google, for instance, has an advanced search feature that allows users to filter results by file type. By specifying the file type as "PDF," users can find websites that

offer free PDF downloads on a specific topic. While downloading Mazda Premacy Repair Manual free PDF files is convenient, its important to note that copyright laws must be respected. Always ensure that the PDF files you download are legally available for free. Many authors and publishers voluntarily provide free PDF versions of their work, but its essential to be cautious and verify the authenticity of the source before downloading Mazda Premacy Repair Manual. In conclusion, the internet offers numerous platforms and websites that allow users to download free PDF files legally. Whether its classic literature, research papers, or magazines, there is something for everyone. The platforms mentioned in this article, such as Project Gutenberg, Open Library, Academia.edu, and Issuu, provide access to a vast collection of PDF files. However, users should always be cautious and verify the legality of the source before downloading Mazda Premacy Repair Manual any PDF files. With these platforms, the world of PDF downloads is just a click away.

FAQs About Mazda Premacy Repair Manual Books

What is a Mazda Premacy Repair Manual PDF? A PDF (Portable Document Format) is a file format developed by Adobe that preserves the layout and formatting of a document, regardless of the software, hardware, or operating system used to view or print it. **How do I create a Mazda Premacy Repair Manual PDF?** There are several ways to create a PDF: Use software like Adobe Acrobat, Microsoft Word, or Google Docs, which often have built-in PDF creation tools. Print to PDF:

Many applications and operating systems have a "Print to PDF" option that allows you to save a document as a PDF file instead of printing it on paper. Online converters: There are various online tools that can convert different file types to PDF.

How do I edit a Mazda Premacy Repair Manual PDF? Editing a PDF can be done with software like Adobe Acrobat, which allows direct editing of text, images, and other elements within the PDF. Some free tools, like PDFescape or Smallpdf, also offer basic editing capabilities. **How do I convert a Mazda Premacy Repair Manual PDF to another file format?**

There are multiple ways to convert a PDF to another format: Use online converters like Smallpdf, Zamzar, or Adobe Acrobats export feature to convert PDFs to formats like Word, Excel, JPEG, etc. Software like Adobe Acrobat, Microsoft Word, or other PDF editors may have options to export or save PDFs in different formats. **How do I password-protect a Mazda Premacy Repair Manual PDF?**

Most PDF editing software allows you to add password protection. In Adobe Acrobat, for instance, you can go to "File" -> "Properties" -> "Security" to set a password to restrict access or editing capabilities. Are there any free alternatives to Adobe Acrobat for working with PDFs? Yes, there are many free alternatives for working with PDFs, such as: LibreOffice: Offers PDF editing features. PDFsam: Allows splitting, merging, and editing PDFs. Foxit Reader: Provides basic PDF viewing and editing capabilities. How do I compress a PDF file? You can use online tools like Smallpdf, ILovePDF, or desktop software like Adobe Acrobat to compress PDF files without significant quality loss. Compression reduces the file size,

making it easier to share and download. Can I fill out forms in a PDF file? Yes, most PDF viewers/editors like Adobe Acrobat, Preview (on Mac), or various online tools allow you to fill out forms in PDF files by selecting text fields and entering information. Are there any restrictions when working with PDFs? Some PDFs might have restrictions set by their creator, such as password protection, editing restrictions, or print restrictions. Breaking these restrictions might require specific software or tools, which may or may not be legal depending on the circumstances and local laws.

Find Mazda Premacy Repair Manual :

[checklist USA 67-1163 fitness routines checklist for creators 67-1875](#)
[small business 67-199 stock market strategies for small business 67-2387](#)
wellness tips America 67-489 mental wellness tools America 67-2366
[67-2285 AI tools explained America 67-2896 AI tools explained for small](#)
weight loss step by step America 67-535 weight loss step by step USA
USA 67-1179 electric vehicles case study United States 67-255 electric
67-2550 dropshipping business explained for startups 67-2561
[small business 67-21 print on demand best practices for creators 67-1989](#)
review United States 67-428 remote work review for entrepreneurs 67-1621
[67-1295 ecommerce trends trends for small business 67-2171 ecommerce](#)
[services trends USA 67-2705 VPN services trends for small business](#)
[67-390 productivity hacks blueprint United States 67-194 productivity](#)
[online business tutorial USA 67-2360 online business tutorial USA](#)
home organization tutorial United States 67-795 home organization
[review for entrepreneurs 67-809 passive income ideas roadmap America](#)

Mazda Premacy Repair Manual :

m la in text citations quiz hcc learning web - Feb 09 2023

web mla style center the only authorized web site on mla style provides free resources on research writing and documentation test your knowledge of grammar punctuation

m la review quiz flashcards quizlet - Jun 13 2023

web q chat created by debra fallin teacher terms in this set 28 what does mla stand for modern language association what is

the proper format for an mla heading name

mla quiz tpt - Sep 23 2021

mla practice 114 plays quizizz - Jun 01 2022

web name date 1 what does mla stand for a modern linguistic association b modern language association c main language arts 2 what is a works cited page a

mla format quiz flashcards quizlet - May 12 2023

web mar 21 2023 this quiz contains true and false multiple choice and fill in the blanks answer all questions to the best of your knowledge and do your best for a perfect

mla formatting knowledge quiz proprofs quiz - Sep 04 2022

web a 20 question multiple choice quiz with answer key to assess students understanding of basic mla formatting including background on mla format how to write in text citations

quiz worksheet mla format study com - Mar 10 2023

web test your ability below and read our recent post on the topic for more detailed explanations you have already completed the quiz before hence you can not start it again

test your knowledge on mla format proprofs quiz - Jul 14 2023

web what does mla refer to or mean click the card to flip the modern language association style manual for example its widely used in the humanities literature philosophy

mla multiple choice questions test revised pdf multiple - Oct 05 2022

web sep 6 2023 rate this question 9 1 the modern language association mla is a styling of documentation used in research papers academic writing etc when a researcher is

quizzes mla style center - Dec 07 2022

web multiple choice questions on mla 8 th edition rules circle the entire answer of your choice then write the letter next to the number of each question include the page

mla multiple choice questions answers pdf learn copyblogger - Jan 28 2022

web 10 hours ago by new york times games oct 16 2023 2 48 p m et hello solvers in case you didn t know each friday a puzzle editor for the times christina iverson

quiz commas conjunctions and modifiers mla style center - Jan 08 2023

web mla style center the only authorized web site on mla style provides free resources on research questions about conference presentations questions about dois

apa vs mla 146 plays quizizz - Apr 30 2022

web opinion writing 3 9k plays 4th 5th 20 qs the writing process 2 2k plays 8th mla in text citations quiz for 7th grade students find other quizzes for english and more on

mla quiz teaching resources tpt - Jul 02 2022

web 145 plays 13 questions copy edit live session assign show answers see preview multiple choice 30 seconds 1 pt mla footnote is a the top of the page bottom of the

what have you wanted to know about crosswords - Nov 25 2021

web there are 7 mc questions on general mla formatting guideliens 3 mc questions that have students choose the correct mla citation for a source 5 short answer questions

12 mla format quizzes questions answers trivia proprofs - Apr 11 2023

web mla in text citations quiz to print or download this file click the link below mla citations quiz pt1 2016 print pdf pdf document 178 kb 182364 bytes

mla multiple choice questions answers david ingre harvard - Oct 25 2021

mla multiple choice quiz 1 flashcards quizlet - Aug 15 2023

web nov 6 2014 study with quizlet and memorize flashcards containing terms like what is unique about quotations when does a quotation not use quotation marks a period

ask the mla mla style center - Nov 06 2022

web sep 12 2023 the mla format is important because it provides a consistent format for writing papers this paper writing format requires the writer to use double spacing and a

mla multiple choice questions answers harvard university - Dec 27 2021

web jun 6 2023 comprehend even more as regards the globe experience some places with history amusement and a lot more it is your utterly own times to act out reviewing

mla citation knowledge quiz proprofs - Aug 03 2022

web 114 plays 40 questions copy edit introducing new paper mode no student devices needed know more show answers see preview multiple choice 30 seconds 1 pt

mla multiple choice questions test revised 5 doc - Mar 30 2022

web mla multiple choice questions answers mla multiple choice questions answers 3 downloaded from learn copyblogger com on 2022 08 26 by guest composed of every

mla in text citations 569 plays quizizz - Feb 26 2022

web ascp mla exam the examelot team 2021 10 22 prepare for the aspc boc medical laboratory assistant mla exam with this unofficial book of practice questions this

library guides mla quick citation guide mla style quiz - Sep 16 2023

web apr 11 2023 mla style quiz last updated apr 11 2023 1 55 pm url guides libraries psu edu mlacitation this guide contains examples of common

what does an administrative medical assistant do college of - Apr 20 2022

web mar 22 2023 the correct answer is all of the above when preparing a file for a new patient the medical assistant should ensure that the patient s name is spelled correctly

20 medical administrative assistant interview questions and - Sep 06 2023

web may 26 2023 preparing responses to questions a hiring manager may ask can help you feel confident when meeting with them in this article we share 45 medical assistant

administrative medical assisting final exam review flashcards - Jul 04 2023

web nov 5 2023 25 common medical assistant interview questions and answers tell me about yourself this is a common interview question that many interviewers use to break

medical assistants 10 steps to becoming one coursera - Mar 20 2022

web jun 15 2020 no cost professional certificates covid 19 response 888 559 6763 request info apply skip to content press enter areas of study degrees training

a medical administrative assistant exam prep test proprofs - Dec 17 2021

top skills you need to be an effective medical administrative - Jul 24 2022

web jun 15 2023 brush up on your computer skills administrative tasks are a part of the job for many medical assistants that means you ll be maintaining records handling

medical administrative assistant interview questions and answers - Apr 01 2023

web 5 0 1 review a medical assistant is helping a patient check out which of the following actions should the medical assistant take a ask the patient for a photo id b have the

25 medical administrative assistant interview questions and - Aug 05 2023

web aug 15 2022 1 what tasks would you be responsible for as a medical administrative assistant answer as a medical administrative assistant i would be responsible for

medical office assistant interview questions and sample - Jan 30 2023

web 12 common medical assistant interview questions for 2023 this article will cover the most common medical assistant

interview questions and answers to make it easier to

how to become a health care administrative assistant - Jun 22 2022

web oct 12 2023 medical administrative assistants are the professionals who handle administrative functions in a medical facility learn the steps to become a medical

medical assistant 10 steps to becoming one coursera - Jan 18 2022

what is a medical administrative assistant salary - Feb 16 2022

nha quiz administrative assisting flashcards quizlet - Nov 27 2022

web 7 essential medical administrative assistant skills attention to detail in any medical setting it s essential to be detail oriented medical administrative assistants record vital

what does a medical administrative assistant do a closer look - Nov 15 2021

12 common medical assistant interview questions for 2023 - Sep 25 2022

web as an administrative medical assistant you may handle the payroll for the office staff or supervise a payroll service obtain equipment and supplies and serve as the link

confirming pages introduction to medical assisting - May 22 2022

web nov 6 2023 to be a good medical assistant you ll likely need the following skills to help both patients and other healthcare professionals organised detail oriented ability to

medical assisting administrative and clinical - Oct 07 2023

web individual who has administrative responsibilities for the control or direction of employees pamphlet that describes medical office policies and procedures in designed as an

21 questions to expect in a medical assistant interview - Aug 25 2022

web while clinical medical assistants and other medical staff provide hands on care to patients administrative medical assistants handle tasks that keep things running smoothly

medical administrative assistant job description workable - Dec 29 2022

web aug 31 2023 11 tell me how you would deal with an agitated patient at the front desk this is a behavioral based interview question this question reveals your character traits

45 interview questions for medical assistants plus - May 02 2023

web this medical administrative assistant job description template lists all essential responsibilities and skills to help you

attract the best medical assistants to help manage

19 medical assistant interview questions sample answers - Jun 03 2023

web sep 8 2022 12 common medical office assistant interview questions and answers below is a list of common medical office assistant interview questions to practice when

35 medical assistant interview questions with example - Feb 28 2023

web mar 14 2023 what is a medical administrative assistant a medical administrative assistant is an employee who performs organizational office and front desk related tasks

what does a medical administrative assistant do indeed com - Oct 27 2022

web mar 16 2023 a health care administrative assistant also known as a medical administrative assistant is a health care employee who primarily works in an office

kubernetes mise en oeuvre d un cluster et da c pl - May 11 2023

web 2 kubernetes mise en oeuvre d un cluster et da c pl 2022 07 25 misused credentials customize and perform operating system security baseline assessments leverage integrated threat intelligence to identify

ebook kubernetes mise en oeuvre d un cluster et da c pl - Aug 14 2023

web kubernetes mise en oeuvre d un cluster et da c pl protocole sur l eau et la sant et programme 2030 mar 31 2022 le guide s adresse en premier lieu aux représentants gouvernementaux des différents secteurs aux points de contact chargés de la mise en oeuvre des odd relatifs leau lassainissement et la sant ainsi quaux

kubernetes installation d un cluster ophyde com - Nov 05 2022

web may 9 2020 a préparation des os pour l installation de votre cluster kubernetes vous allez avoir besoin de 3 serveurs debian 10 1 serveur master k8s 2 serveurs workers node k8s on commence par désactiver le swap swapoff a dans le fichier etc fstab on supprime le point de montage du swap

kubernetes mise en oeuvre d un cluster et da c pl - Jun 12 2023

web kubernetes mise en oeuvre d un cluster et da c pl la qualité et la gouvernance des données au service de la performance des entreprises kubernetes up and running l essentiel de la gestion budgétaire mastering freeswitch testing java microservices grid computing microsoft azure security center a thesaurus of english word roots

kubernetes mise en oeuvre d un cluster et da c pl - Dec 26 2021

web kubernetes mise en oeuvre d un cluster et da c pl 3 3 shows you how to unlock its full potential more than just a tutorial it s packed with plenty of tips and tricks to make it work for you written by members of the team who actually helped build freeswitch it will guide you through some of the newest

kubernetes mise en oeuvre d un cluster et da c pl book - Sep 15 2023

web kubernetes mise en oeuvre d un cluster et da c pl les droits de l homme à l eau potable et l assainissement dans la pratique nov 25 2022 la publication synthétise les conclusions et les enseignements tirés jusqu à présent des travaux sur l accès équitable à l eau et à l assainissement menés

administration d un cluster kubernetes - Mar 09 2023

web installer kubernetes avec les outils de déploiement déploiement d un cluster avec kubeadm installer kubeadm création d un cluster à master unique avec kubeadm personnalisation de la configuration du control plane avec kubeadm options pour la topologie en haute disponibilité création de clusters hautement disponibles avec kubeadm

ala khmiri École nationale d 39 électronique et des - Nov 24 2021

web fort d une expertise solide en devops je me distingue par ma capacité à automatiser les infrastructures et à mettre en place des solutions de surveillance avancées mon intérêt marqué pour l intelligence artificielle ajoute une dimension innovante à mes compétences techniques br br au cours de ma carrière j ai dirigé des projets significatifs tels que

read free kubernetes mise en oeuvre d un cluster et da c pl - Jan 27 2022

web meilleure expérience client le cadre de mise en oeuvre des systèmes de protection sociale précise les principaux éléments de cet environnement opérationnel il se décline en différentes phases qui s échelonnent tout au long de la chaîne de mise en oeuvre ces phases sont les lieux d interactions entre différents acteurs

kubernetes mise en oeuvre d un cluster et da c pl - Oct 16 2023

web oct 20 2023 download and install kubernetes mise en oeuvre d un cluster et da c pl fittingly simple hardware and software support for virtualization edouard bugnion kubernetes mise en oeuvre d un cluster et da c pl 2022 webthis kubernetes mise en oeuvre d un cluster et da c pl but stop in the works in harmful downloads

download free kubernetes mise en oeuvre d un cluster et da c pl - Oct 24 2021

web meilleure expérience client le cadre de mise en oeuvre des systèmes de protection sociale précise les principaux éléments de cet environnement opérationnel il se décline en différentes phases qui s échelonnent tout au long de la chaîne de mise en oeuvre ces phases sont les lieux d interactions entre

deployer un cluster kubernetes fr wiki ikoula com - Feb 08 2023

web kubernetes est un large écosystème en rapide expansion cette procédure va vous permettre de déployer rapidement et facilement un cluster kubernetes k8s de trois nodes à partir de trois instances centos 7 déployées au sein d un même réseau en zone avancée l une de ces trois instances sera notre node master et les deux autres seront

kubernetes mise en oeuvre d un cluster et da c pl 2022 - Sep 03 2022

web 2 kubernetes mise en oeuvre d un cluster et da c pl 2023 10 28 kubernetes mise en oeuvre d un cluster et da c pl downloaded from mail thekingiscoming com by guest noelle jovany the kubernetes book dunod horace g danner s a thesaurus

of english word roots is a compendium of the most used word roots of the english

kubernetes mise en oeuvre d un cluster et da c pl copy - Feb 25 2022

web kubernetes mise en oeuvre d un cluster et da c pl mise en oeuvre wiktionnaire le dictionnaire libre apr 21 2022 web mise en oeuvre mi z α nœvɚ féminin action de mettre en oeuvre quelque chose résultat de cette action le carbone imbrûlé dépend de la nature du combustible et de la mise en oeuvre de

kubernetes mise en oeuvre d un cluster et da c pl copy - Apr 29 2022

web kubernetes mise en oeuvre d un cluster et da c pl kubernetes mise en oeuvre d un cluster et da c pl 2 downloaded from old restorativejustice org on 2023 01 04 by guest development and devops but with the rise of serverless technologies and a new generation of services and frameworks frontend and mobile developers can build robust applications

kubernetes mise en oeuvre d un cluster et da c pl full pdf - Jan 07 2023

web kubernetes mise en oeuvre d un cluster et da c pl 3 3 why this book will be updated every year meaning it s always up to date with the latest versions of kubernetes and the latest trends in the cloud native ecosystem mélanges en l honneur de pascal ancel editions eyrolles grid computing is applying the resources of many computers in a

download free kubernetes mise en oeuvre d un cluster et da c pl - May 31 2022

web kubernetes mise en oeuvre d un cluster et da c pl les systèmes de mise en oeuvre de la protection sociale apr 04 2023 le manuel de référence sur les systèmes de mise en oeuvre de la protection sociale synthétise les expériences et les leçons apprises des systèmes de mise en oeuvre de la protection sociale à travers le monde

kubernetes mise en oeuvre d un cluster et da c pl pdf - Jul 13 2023

web kubernetes mise en oeuvre d un cluster et da c pl 2021 03 12 ashley heidi deep learning in object detection and recognition springer cet ouvrage s adresse à tous ceux qui souhaitent comprendre les concepts et les enjeux du cloud computing qu ils soient informaticiens chefs de projet architectes développeurs équipes

kubernetes mise en oeuvre d un cluster et da c pl download - Mar 29 2022

web kubernetes mise en oeuvre d un cluster et da c pl 3 3 the devops 2 0 toolkit in a very practical manner although there will be a lot of theory you won t be able to complete this book by reading it in a metro on a way to work you ll need to be in front of your computer and get your hands dirty docker iste group le guide d étude google cloud

kubernetes mise en oeuvre d un cluster et da c pl wrbb neu - Jul 01 2022

web download any of our books past this one merely said the kubernetes mise en oeuvre d un cluster et da c pl is universally compatible next any devices to read kubernetes mise en oeuvre d un cluster et da c pl 2021 06 22 mcdaniel lane the semantic sphere 1 sap press a guide to web services covers such topics as service orientation uddi

kubernetes mise en oeuvre d un cluster et da c pl download - Oct 04 2022

web 2 kubernetes mise en oeuvre d un cluster et da c pl 2023 05 30 persistance réseau supervision etc pour supporter l implémentation et le déploiement d une application distribuée réaliste vous fournir une référence complète associée à des exemples didactiques et réutilisables d architectures

kubernetes mise en oeuvre d un cluster et da c pl - Aug 02 2022

web cet ouvrage décrit la structure des réseaux virtuels et leur intégration dans les réseaux comme la 5g l internet des objets les réseaux tactiles les réseaux véhiculaires les espaces intelligents ou le wi fi

kubernetes mise en oeuvre d un cluster et da c pl 2022 ftp - Dec 06 2022

web 2 2 kubernetes mise en oeuvre d un cluster et da c pl 2022 05 20 to your application code identify metrics with labels using unique key value pairs get an introduction to grafana a popular tool for building

kubernetes mise en oeuvre d un cluster et da c pl 2022 - Apr 10 2023

web right here we have countless book kubernetes mise en oeuvre d un cluster et da c pl and collections to check out we additionally have the funds for variant types and in addition to type of the books to browse