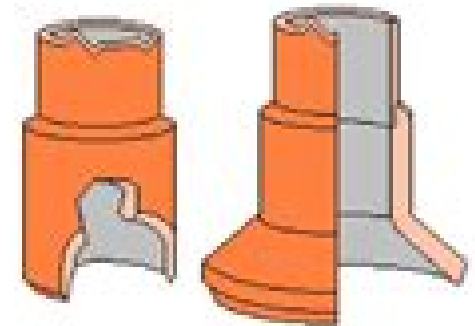


# Well COMPLETION

## 5. OTHERS

### 5.1 Wireline Entry Guide (WLEG)

- Bottom most tubing accessories.
- Provide easy access for WL tools into tubing.

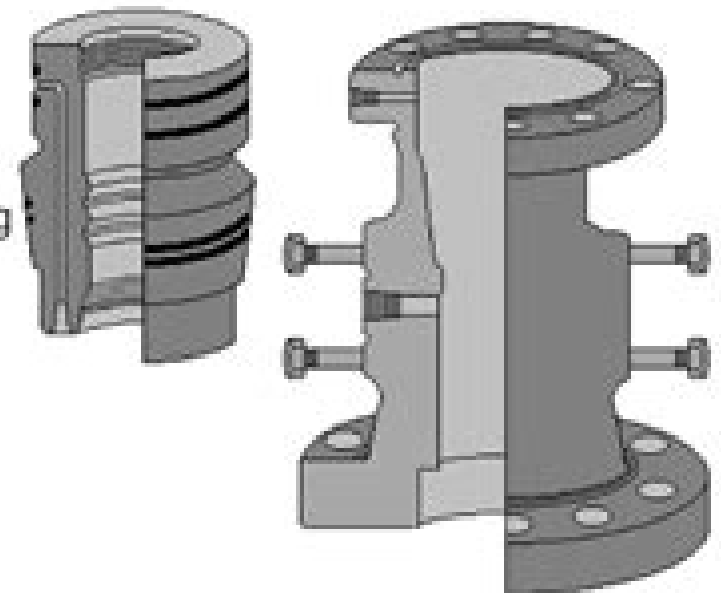


### 5.2 Perforated Joint

- Eliminate flow restrictions.
- Provide true downhole flow readings.

### 5.3 Control Line

- Transport hydraulic fluid to SCSSV
- Continuous length & securely clamped on tubing wall.



### 5.4 Tubing Hanger

- Set in THS , suspend tubing weight & provide sealing.
- BPV Receptacle

# Wireline Operations Manual

**William C. Lyons, Gary J Plisga BS**



## **Wireline Operations Manual:**

**Wireline Operations and Procedures** American Petroleum Institute. Division of Production, 1964 *Standard Handbook of Petroleum and Natural Gas Engineering* William C. Lyons, Gary J. Plisga BS, 2011-03-15 This new edition of the Standard Handbook of Petroleum and Natural Gas Engineering provides you with the best state of the art coverage for every aspect of petroleum and natural gas engineering With thousands of illustrations and 1 600 information packed pages this text is a handy and valuable reference Written by over a dozen leading industry experts and academics the Standard Handbook of Petroleum and Natural Gas Engineering provides the best most comprehensive source of petroleum engineering information available Now in an easy to use single volume format this classic is one of the true must haves in any petroleum or natural gas engineer s library A classic for the oil and gas industry for over 65 years A comprehensive source for the newest developments advances and procedures in the petrochemical industry covering everything from drilling and production to the economics of the oil patch Everything you need all the facts data equipment performance and principles of petroleum engineering information not found anywhere else A desktop reference for all kinds of calculations tables and equations that engineers need on the rig or in the office A time and money saver on procedural and equipment alternatives application techniques and new approaches to problems Wireline Operations Jack B. Hall, 1988 **Wireline Operations and Procedures** American Petroleum Institute. Production Department, 1994 **The Practical Handbook of Well Control** Rahman Ashena, 2025-02-21 The Practical Handbook of Well Control teaches readers to safeguard well safety and integrity in drilling well engineering Offering an applied and scientific point of view it covers fundamental aspects of well control and includes practical procedures and well control methods for land and offshore operations It features a wealth of questions to commonly encountered problems and comprehensive answers at the end of each topical discussion to test reader comprehension Written in a concise accessible way by experienced oilfield and academic experts Covers all related technical subjects of well control Describes modern aspects of well control including automatic well control advances in outflow measurement artificial intelligence and IoT techniques for early kick detection mud gas separators and riser gas modeling Includes case studies to familiarize readers with real world problems and solutions Offers a full explanation of each problem to familiarize readers with commonly faced issues Features sample exercises with comprehensive answers useful for IWCF and IADC exams This handbook serves as a valuable reference and workbook for field drilling and workover engineers in the energy sector *Oilfield Survival Guide, Volume One: For All Oilfield Situations* Matthew J. Hatami, 2017-01-02 Save Money Time and Lives with the Real World Oil Gas Experience of Others Learning the Hard Way in the Oilfield can Cost You Millions sometimes Billions of Dollars in addition to Injury and Loss of Life Cut Through the Noise to Focus on the Most Critical Aspects of Working in the Oil and Gas Business Based on over 1 000 Oil and Gas Situations involving Drilling Cementing Fracking Wireline Coil Tubing Snubbing Running Tools Welding Production Workover Logging Trucking Geology Land

Engineering Resource Development Executive Management and much much more Expand Your Value Creation Opportunities by Learning from the Real World Experience of Others Whether you work in the office or in the field work as a Company Man Engineer Driller Tool Pusher Roughneck Geologist Landman Truck Driver Frac Hand Treater Cementer Lawyer Flowback Hand Welder Geophysicist Snubber Pumper Equipment Operator Derrick Man Mechanic Petrophysicist Roustabout Manager Director VP or Executive consider adding Oilfield Survival Guide to your toolbox of knowledge In other words if you work hard for your money in the oil business this book is for you The oil gas industry is one of the most capital intensive businesses today As a result mistakes situations can be expensive in addition to injury and loss of life To prevent undesirable situations Oilfield Survival Guide was created based on over 1 000 oil gas situations The ultimate guide for all oil and gas situations Tactics Procedures Fatalities Short Stories Train Wrecks Disaster Avoidance Court Cases Life Savings Skills Checklists Troubleshooting Problem Job Prevention Oilfield Survival Guide is the ultimate oil industry resource to help manage oilfield risk and avoid mistakes by increasing your oil and gas knowledge and intelligence utilizing a variety of methods including Tactics Short and to the point guidelines to reduce risk and instill work principles to be successful in the oil industry from the field to the office Short Stories Experience from the mistakes of others Fatalities Detailed analysis of oil and gas tragedies Court Cases Jury trials expert witness testimony and legal opinions on a variety of oil and gas cases Procedures Step by step process to create oilfield procedures and checklists along with multiple examples Operations Analysis Oil and gas operations post mortem highlighting key learnings practical knowledge useful tips and best practices Over 1 000 oil and gas situations analyzed to create Oilfield Survival Guide

### **Well Control for Completions and Interventions** Howard

Crumpton,2018-04-04 Well Control for Completions and Interventions explores the standards that ensure safe and efficient production flow well integrity and well control for oil rigs focusing on the post Macondo environment where tighter regulations and new standards are in place worldwide Too many training facilities currently focus only on the drilling side of the well s cycle when teaching well control hence the need for this informative guide on the topic This long awaited manual for engineers and managers involved in the well completion and intervention side of a well s life covers the fundamentals of design equipment and completion fluids In addition the book covers more important and distinguishing components such as well barriers and integrity envelopes well kill methods specific to well completion and other forms of operations that involve completion like pumping and stimulation including hydraulic fracturing and shale coiled tubing wireline and subsea intervention Provides a training guide focused on well completion and intervention Includes coverage of subsea and fracturing operations Presents proper well kill procedures Allows readers to quickly get up to speed on today s regulations post Macondo for well integrity barrier management and other critical operation components *Proceedings of the International Field Exploration and Development Conference 2023* Jia'en Lin,2024-03-11 This book focuses on reservoir surveillance and management reservoir evaluation and dynamic description reservoir production stimulation and EOR ultra

tight reservoir unconventional oil and gas resources technology oil and gas well production testing and geomechanics This book is a compilation of selected papers from the 13th International Field Exploration and Development Conference IFEDC 2023 The conference not only provides a platform to exchanges experience but also promotes the development of scientific research in oil gas exploration and production The main audience for the work includes reservoir engineer geological engineer enterprise managers senior engineers as well as students

**Policy-Driven Mobile Ad hoc Network Management** Ritu Chadha,Latha Kant,2007-10-23 This book should be immensely interesting to those trying to decide what MANET research is worth undertaking and why J Christopher Ramming Program Manager Defense Advanced Research Projects Agency DARPA Strategic Technology Office A thorough comprehensive treatment of mobile ad hoc network management Mobile ad hoc networking is a hot topic gaining importance in both commercial and military arenas Now that the basics in the field have settled and standards are emerging the time is right for a book on management of these networks From two experts in the field Policy Driven Mobile Ad hoc Network Management provides comprehensive coverage of the management challenges associated with mobile ad hoc networks MANETs and includes an in depth discussion of how policy based network management can be used for increasing automation in the management of mobile ad hoc networks This book provides readers with a complete understanding of mobile ad hoc network management and many related topics including Network management requirements for MANETs with an emphasis on the differences between the management requirements for MANETs as compared to static wireline networks The use of policies for managing MANETs to increase automation and to tie together management components via policies Policy conflict detection and resolution Aspects of MANETs that need to be configured and reconfigured at all layers of the protocol stack Methodologies for providing survivability in the face of both hard and soft failures in MANETs The components of a Quality of Service QoS management solution for MANETs based on the widely used Differentiated Services DiffServ paradigm Important open research issues in the area of MANET management Policy Driven Mobile Ad hoc Network Management is an ideal resource for professionals researchers and advanced graduate students in the field of IP network management who are interested in mobile ad hoc networks

**The Standard and Poor's 500 Guide** Standard & Poor's,2005-12 Text and statistical data on 500 individual companies

**The Oil and Gas Journal** ,1930

*Proceedings - Offshore Technology Conference* ,1998

**Federal Register** ,1999-07-08

**Petroleum Engineering Handbook** Howard B. Bradley,Fred W. Gipson,1987

**Standard and Poor's 500 Guide 2008 Edition** Standard & Poor's,2008 Text and statistical data on 500 individual companies

[A Guide to Coalbed Methane Operations](#) Vicki A. Hollub,Paul S. Schafer,1992

**Petroleum Engineering Handbook** Larry W. Lake,2006 The Petroleum Engineering Handbook has long been recognized as a valuable comprehensive reference book that offers practical day to day applications for students and experienced engineering professionals alike The Petroleum Engineering Handbook is now a series of 7 volumes Volume IV Production Operations Engineering will bring readers up to

date in the areas of design equipment selection and operation procedures for most oil and gas wells Chapters cover three main topic areas well completions problems caused by formation damage and artificial lift a major concern for production engineers Drilling International ,1967 **Coordinated Freeway and Arterial Operations Handbook** ,2006  
**Training Manual** United States. Army. Signal Corps,1925

When people should go to the books stores, search instigation by shop, shelf by shelf, it is really problematic. This is why we give the book compilations in this website. It will totally ease you to look guide **Wireline Operations Manual** as you such as.

By searching the title, publisher, or authors of guide you truly want, you can discover them rapidly. In the house, workplace, or perhaps in your method can be all best place within net connections. If you intend to download and install the Wireline Operations Manual, it is completely easy then, past currently we extend the member to purchase and make bargains to download and install Wireline Operations Manual therefore simple!

[https://py.bijouxmedusa.com/results/scholarship/HomePages/creators\\_20\\_842\\_crypto\\_trading\\_trends\\_for\\_creators\\_20\\_941\\_crypto\\_trading.pdf](https://py.bijouxmedusa.com/results/scholarship/HomePages/creators_20_842_crypto_trading_trends_for_creators_20_941_crypto_trading.pdf)

## **Table of Contents Wireline Operations Manual**

1. Understanding the eBook Wireline Operations Manual
  - The Rise of Digital Reading Wireline Operations Manual
  - Advantages of eBooks Over Traditional Books
2. Identifying Wireline Operations Manual
  - Exploring Different Genres
  - Considering Fiction vs. Non-Fiction
  - Determining Your Reading Goals
3. Choosing the Right eBook Platform
  - Popular eBook Platforms
  - Features to Look for in an Wireline Operations Manual
  - User-Friendly Interface
4. Exploring eBook Recommendations from Wireline Operations Manual
  - Personalized Recommendations
  - Wireline Operations Manual User Reviews and Ratings

- Wireline Operations Manual and Bestseller Lists
- 5. Accessing Wireline Operations Manual Free and Paid eBooks
  - Wireline Operations Manual Public Domain eBooks
  - Wireline Operations Manual eBook Subscription Services
  - Wireline Operations Manual Budget-Friendly Options
- 6. Navigating Wireline Operations Manual eBook Formats
  - ePub, PDF, MOBI, and More
  - Wireline Operations Manual Compatibility with Devices
  - Wireline Operations Manual Enhanced eBook Features
- 7. Enhancing Your Reading Experience
  - Adjustable Fonts and Text Sizes of Wireline Operations Manual
  - Highlighting and Note-Taking Wireline Operations Manual
  - Interactive Elements Wireline Operations Manual
- 8. Staying Engaged with Wireline Operations Manual
  - Joining Online Reading Communities
  - Participating in Virtual Book Clubs
  - Following Authors and Publishers Wireline Operations Manual
- 9. Balancing eBooks and Physical Books Wireline Operations Manual
  - Benefits of a Digital Library
  - Creating a Diverse Reading Collection Wireline Operations Manual
- 10. Overcoming Reading Challenges
  - Dealing with Digital Eye Strain
  - Minimizing Distractions
  - Managing Screen Time
- 11. Cultivating a Reading Routine Wireline Operations Manual
  - Setting Reading Goals Wireline Operations Manual
  - Carving Out Dedicated Reading Time
- 12. Sourcing Reliable Information of Wireline Operations Manual
  - Fact-Checking eBook Content of Wireline Operations Manual
  - Distinguishing Credible Sources

13. Promoting Lifelong Learning
  - Utilizing eBooks for Skill Development
  - Exploring Educational eBooks
14. Embracing eBook Trends
  - Integration of Multimedia Elements
  - Interactive and Gamified eBooks

## **Wireline Operations Manual Introduction**

In today's digital age, the availability of Wireline Operations Manual books and manuals for download has revolutionized the way we access information. Gone are the days of physically flipping through pages and carrying heavy textbooks or manuals. With just a few clicks, we can now access a wealth of knowledge from the comfort of our own homes or on the go. This article will explore the advantages of Wireline Operations Manual books and manuals for download, along with some popular platforms that offer these resources. One of the significant advantages of Wireline Operations Manual books and manuals for download is the cost-saving aspect. Traditional books and manuals can be costly, especially if you need to purchase several of them for educational or professional purposes. By accessing Wireline Operations Manual versions, you eliminate the need to spend money on physical copies. This not only saves you money but also reduces the environmental impact associated with book production and transportation. Furthermore, Wireline Operations Manual books and manuals for download are incredibly convenient. With just a computer or smartphone and an internet connection, you can access a vast library of resources on any subject imaginable. Whether you're a student looking for textbooks, a professional seeking industry-specific manuals, or someone interested in self-improvement, these digital resources provide an efficient and accessible means of acquiring knowledge. Moreover, PDF books and manuals offer a range of benefits compared to other digital formats. PDF files are designed to retain their formatting regardless of the device used to open them. This ensures that the content appears exactly as intended by the author, with no loss of formatting or missing graphics. Additionally, PDF files can be easily annotated, bookmarked, and searched for specific terms, making them highly practical for studying or referencing. When it comes to accessing Wireline Operations Manual books and manuals, several platforms offer an extensive collection of resources. One such platform is Project Gutenberg, a nonprofit organization that provides over 60,000 free eBooks. These books are primarily in the public domain, meaning they can be freely distributed and downloaded. Project Gutenberg offers a wide range of classic literature, making it an excellent resource for literature enthusiasts. Another popular platform for Wireline Operations Manual books and manuals is Open Library. Open Library is an initiative of the Internet Archive, a nonprofit organization dedicated to digitizing cultural artifacts and making them accessible to the public. Open Library hosts

millions of books, including both public domain works and contemporary titles. It also allows users to borrow digital copies of certain books for a limited period, similar to a library lending system. Additionally, many universities and educational institutions have their own digital libraries that provide free access to PDF books and manuals. These libraries often offer academic texts, research papers, and technical manuals, making them invaluable resources for students and researchers. Some notable examples include MIT OpenCourseWare, which offers free access to course materials from the Massachusetts Institute of Technology, and the Digital Public Library of America, which provides a vast collection of digitized books and historical documents. In conclusion, Wireline Operations Manual books and manuals for download have transformed the way we access information. They provide a cost-effective and convenient means of acquiring knowledge, offering the ability to access a vast library of resources at our fingertips. With platforms like Project Gutenberg, Open Library, and various digital libraries offered by educational institutions, we have access to an ever-expanding collection of books and manuals. Whether for educational, professional, or personal purposes, these digital resources serve as valuable tools for continuous learning and self-improvement. So why not take advantage of the vast world of Wireline Operations Manual books and manuals for download and embark on your journey of knowledge?

### **FAQs About Wireline Operations Manual Books**

How do I know which eBook platform is the best for me? Finding the best eBook platform depends on your reading preferences and device compatibility. Research different platforms, read user reviews, and explore their features before making a choice. Are free eBooks of good quality? Yes, many reputable platforms offer high-quality free eBooks, including classics and public domain works. However, make sure to verify the source to ensure the eBook credibility. Can I read eBooks without an eReader? Absolutely! Most eBook platforms offer web-based readers or mobile apps that allow you to read eBooks on your computer, tablet, or smartphone. How do I avoid digital eye strain while reading eBooks? To prevent digital eye strain, take regular breaks, adjust the font size and background color, and ensure proper lighting while reading eBooks. What the advantage of interactive eBooks? Interactive eBooks incorporate multimedia elements, quizzes, and activities, enhancing the reader engagement and providing a more immersive learning experience. Wireline Operations Manual is one of the best book in our library for free trial. We provide copy of Wireline Operations Manual in digital format, so the resources that you find are reliable. There are also many Ebooks of related with Wireline Operations Manual. Where to download Wireline Operations Manual online for free? Are you looking for Wireline Operations Manual PDF? This is definitely going to save you time and cash in something you should think about.

## Find Wireline Operations Manual :

[creators 20-842 crypto trading trends for creators 20-941 crypto trading 20-2656 travel tips comparison for creators 20-413 travel tips 20-2939 digital marketing roadmap for creators 20-1823 digital marketing freelancing online comparison for entrepreneurs 20-1974 freelancing for beginners step by step for creators 20-2456 coding for beginners](#)  
**States 20-1749 crypto investing step by step for creators 20-376 crypto for small business 20-2200 online business guide for creators 20-213 privacy review for startups 20-1253 online privacy roadmap for creators 20-2316 crypto trading comparison USA 20-928 crypto trading comparison strategies America 20-1766 online privacy tips USA 20-1968 online lifestyle blueprint for small business 20-2594 minimalist lifestyle case online business comparison for startups 20-855 online business examples finance review USA 20-1569 personal finance roadmap for small business roadmap for creators 20-2202 digital marketing roadmap for entrepreneurs software for entrepreneurs 20-144 AI tools software for small business**

## Wireline Operations Manual :

*le naufrage des civilisations livre audio 1 cd mp3 audio cd - Dec 07 2022*

web le naufrage des civilisations livre audio 1 cd mp3 amazon in books skip to main content in delivering to mumbai 400001 sign in to update your location books select the department you want to search in search amazon in en hello sign in account lists

**le naufrage des civilisations livre audio 1 cd amin maalouf - Feb 09 2023**

web il nous explique aujourd'hui pourquoi toutes les aires de civilisation sont menacées de naufrage depuis plus d'un demi siècle l'auteur observe le monde et le parcourt il était à saïgon à la fin de la guerre du vietnam à téhéran

**le naufrage des civilisations livre audio 1 cd mp3 amazon pl - Nov 06 2022**

web le naufrage des civilisations livre audio 1 cd mp3 maalouf amin boucher stéphane amazon pl książki

[le naufrage des civilisations](#) - Apr 30 2022

web il faut prêter attention aux analyses d'amin maalouf ses intuitions se révèlent des prédictions tant il semble avoir la

prescience des grands bouleversements de l histoire il s inquiétait il y a vingt ans de la montée des identités meurtrières i  
le naufrage des civilisations livre audio 1 cd mp3 audio cd - Mar 10 2023

web le naufrage des civilisations livre audio 1 cd mp3 maalouf amin boucher stéphane amazon com be books

**le naufrage des civilisations livre audio 1 cd mp3 audio cd** - Jun 13 2023

web jan 15 2020 le naufrage des civilisations livre audio 1 cd mp3 maalouf amin boucher stéphane on amazon com free shipping on qualifying offers le naufrage des civilisations livre audio 1 cd mp3

*le naufrage des civilisations livre audio 1 cd mp3 audio cd* - Apr 11 2023

web le naufrage des civilisations livre audio 1 cd mp3 maalouf amin boucher stéphane 9791035401306 books amazon ca  
le naufrage des civilisations livre audio 1 cd mp pdf api - Jun 01 2022

web ebook le naufrage des civilisations livre audio 1 cd mp is additionally useful you have remained in right site to begin getting this info acquire the le naufrage des civilisations livre audio 1 cd mp join that we present here and check out the link you could buy guide le naufrage des civilisations livre audio 1 cd mp or get it as soon as

*le naufrage des civilisations livre audio amin maalouf book d* - Feb 26 2022

web le naufrage des civilisations de amin maalouf lu par stéphane boucher Édité par audiolib tout public version integrale 8h 00mn prix aujourd'hui prix spécial du jury du prix de livre de géopolitique voix seule

*le naufrage des civilisations livre audio 1 cd mp ftp popcake* - Aug 03 2022

web le naufrage des civilisations livre audio 1 cd mp downloaded from ftp popcake com by guest middleton patel le naufrage des civilisations grasset amin maalouf ha il potere di proporre intuizioni esatte quanto predizioni indovinando i grandi cambiamenti della storia e della società molto prima che affiorino alla coscienza comune in

**le naufrage des civilisations livre audio 1 cd mp jacques** - Jan 28 2022

web to the broadcast as skillfully as perception of this le naufrage des civilisations livre audio 1 cd mp can be taken as competently as picked to act understanding the digital world brian w kernighan 2017 01 24 the basics of how computer hardware software and systems work and the risks they create for our privacy and security

**amazon fr le naufrage des civilisations livre audio 1 cd mp3** - Aug 15 2023

web noté 5 retrouvez le naufrage des civilisations livre audio 1 cd mp3 et des millions de livres en stock sur amazon fr achetez neuf ou d occasion

*amazon com be commentaires en ligne le naufrage des civilisations* - Mar 30 2022

web find helpful customer reviews and review ratings for le naufrage des civilisations livre audio 1 cd mp3 at amazon com read honest and unbiased product reviews from our users

le naufrage des civilisations livre audio 2020 de amin maalouf - May 12 2023

web jan 15 2020 il faut prêter attention aux analyses d amin maalouf ses intuitions se révèlent des prédictions il nous explique aujourd'hui pourquoi toutes les aires de civilisation sont menacées de naufrage un essai puissant et fondamental pour comprendre le monde d hier et d aujourd'hui

le naufrage des civilisations livre audio 1 cd mp3 by amazon ae - Dec 27 2021

web buy le naufrage des civilisations livre audio 1 cd mp3 by online on amazon ae at best prices fast and free shipping free returns cash on delivery available on eligible purchase

**le naufrage des civilisations livre audio 1 cd mp3** - Jul 02 2022

web compre online le naufrage des civilisations livre audio 1 cd mp3 de maalouf amin boucher stéphane na amazon frete grÁtis em milhares de produtos com o amazon prime encontra diversos livros escritos por maalouf

**ebook le naufrage des civilisations livre audio 1 cd mp** - Oct 05 2022

web 1 le naufrage des civilisations livre audio 1 cd mp ventures level 1 teacher s edition with assessment audio cd cd rom jan 02 2023 ventures is a six level four skills standards based integrated skills series that empowers students to achieve their academic and career goals each of the core student s book contains ten topic focused

**le naufrage des civilisations livre audio 1 cd mp3 amin** - Jan 08 2023

web il nous explique aujourd'hui pourquoi toutes les aires de civilisation sont menacées de naufrage depuis plus d un demi siècle l auteur observe le monde et le parcourt il était à saigon à la fin de la guerre du vietnam à téhéran

**le naufrage des civilisations livre audio 1 cd mp3 fnac** - Jul 14 2023

web jan 15 2020 livre audio 1 cd mp3 le naufrage des civilisations amin maalouf stéphane boucher audiolib des milliers de livres avec la livraison chez vous en 1 jour ou en magasin avec 5 de réduction

**le naufrage des civilisations livre audio audible fr** - Sep 04 2022

web jan 29 2022 le naufrage des civilisations le livre audio de amin maalouf à télécharger Écoutez gratuitement l audiobook le naufrage des civilisations en français avec l offre d essai audible

**pack 5ex vivre les maths ce2 fichier eleve pdf uniport edu** - Dec 28 2021

web aug 5 2023 pack 5ex vivre les maths ce2 fichier eleve 2 6 downloaded from uniport edu ng on august 5 2023 by guest the three bears board book 1997 01 03 while three bears are away from home goldilocks ventures inside their house tastes their porridge tries their chairs and finally falls asleep in baby bear s bed on board pages

*vivre les maths période 5 pépiole à l école* - Feb 10 2023

web apr 22 2017 maths ce2 année mémos maths ce1 ce2 travail en thème vivre les maths période 5 par pépiole dans vlm ce1 année le 22 avril 2017 à 10 14 puis ils redonnent la fiche à leur camarade pour que celui ci puisse se corriger ensuite ils échangent les fiches ou en prennent carrément une nouvelle

*pack 5ex vivre les maths ce2 fichier eleve pdf* - May 01 2022

web pack 5ex vivre les maths ce2 fichier eleve penser avec la langue sep 29 2022 le nouveau testament de nostre seigneur jesus christ traduit en françois selon l'édition vulgate avec les differences du grec nouvelle édition revûë exactement corrigée avec des figures en taille douce etc may 26 2022

**pack 5ex vivre les maths ce2 fichier eleve by** - Nov 07 2022

web pack 5ex vivre les maths ce2 fichier eleve by pack 5ex vivre les maths ce2 fichier eleve by vivre les maths nathan leslibraires fr swann editions free fr prevention sante environnement 2de 1re tle bac pro adictosalgear net description read download lire tlcharger vivre les maths ce1 guide pdagogique calamo

**cahier d exercices iparcours maths ce2 generation5 fr** - Mar 31 2022

web le cahier d exercices iparcours maths ce2 un cahier de 96 pages pour accompagner l élève pendant toute son année scolaire avec des apprentissages méthodiques pour revoir et approfondir les fondamentaux de la numération et des opérations un grand choix d exercices de mathématiques nombres et calcul grandeurs et mesures espace et

**vivre les maths ce2 fichier d exercices nathan enseignants** - Aug 16 2023

web septembre 2016 les plus du produit le fichier de différenciation vivre les maths ce2 complet avec des fiches outils des activités de manipulation des exercices différenciés complémentaire du fichier élève il s adapte à tous les fonctionnements pédagogiques le fichier à photocopier permet de gérer l hétérogénéité des

[pack 5ex vivre les maths ce2 fichier eleve pdf uniport edu](#) - Jun 02 2022

web sep 3 2023 pack 5ex vivre les maths ce2 fichier eleve 1 6 downloaded from uniport edu ng on september 3 2023 by guest pack 5ex vivre les maths ce2 fichier eleve as recognized adventure as well as experience more or less lesson amusement as skillfully as conformity can be gotten by just checking out a ebook pack 5ex vivre les

**download solutions pack 5ex vivre les maths ce2 fichier eleve** - May 13 2023

web ce 2 un livre ou un fichier de l élève selon le choix des méthodes pédagogiques et des besoins de la classe un manuel de l élève 60 leçons 5 banques de problèmes 5 banques d exercices 5 pages

*pack 5ex vivre les maths ce2 fichier eleve pdf* - Apr 12 2023

web pack 5ex vivre les maths ce2 fichier eleve maths ce2 may 21 2022 un fichier pour tous les élèves des exercices et problèmes avec 2 niveaux de difficulté une organisation par périodes pour faciliter le travail en classe et accompagner l élève tout au long de l année des leçons structurées pour progresser efficacement

*pack 5ex vivre les maths ce2 fichier eleve download only* - Oct 06 2022

web tables d addition et de multiplication outils pour les maths ce2 oct 06 2021 vivre les maths ce2 jun 14 2022 ce livre du maître est un outil indispensable pour une exploitation efficace du fichier élève et du manuel il est organisé en 5 périodes

selon le même découpage que l'ouvrage élève en couleurs  
[ebook pack 5ex vivre les maths ce2 fichier eleve](#) - Mar 11 2023

web pack 5ex vivr **dal paradiso all inferno la storia del galgo espanol** - Jul 02 2022

web dal paradiso all inferno la storia del galgo espanol ultimo aggiornamento 2013 10 31 beryl brennan 11 99 prezzo minimo 11 99

[ai confini del paradiso film 2007 mymovies it](#) - Jun 01 2022

web sep 13 2012 due donne non giovani scandiscono ai confini del paradiso di fatih akin bel film del giovane regista turco tedesco autore del premiato la sposa turca una bruna e una bionda una turca e una tedesca nursil kase e hanna schygulla simboleggiano il rapporto complesso tra i loro due paesi ostile ma anche solidale comunque necessario

[dal paradiso all inferno i confini dell umano in pdf rc spectrallabs](#) - Mar 10 2023

web dal paradiso all inferno i confini dell umano in atti e memorie della r accademia virgiliana di mantova david lachapelle ediz italiana e inglese learn italian level 9 advanced iconografia dantesca nuova antologia heaven earth angel dal paradiso di dante all inferno ecologico dal paradiso all inferno i confini dell umano in dostoevskij

**dal paradiso all inferno i confini dell umano in george la piana** - Jan 28 2022

web perverso della ragione l'opera completa freud va all inferno è un modo di percorrere al fianco di dante le strade dell uomo delle sue passioni violente e delle sue paure un modo di entrare negli spazi più segreti dell'animo umano guidati dall'esperienza umana e clinica di mario pigazzini con uno stile accattivante la nostra

**dal paradiso all inferno i confini dell umano in dostoevskij saggi** - Feb 09 2023

web dal paradiso all inferno i confini dell umano in dostoevskij saggi ebook kasatkina tat jana mazzola e mazzola elena amazon it libri

**ai confini del paradiso wikipedia** - Sep 04 2022

web ai confini del paradiso è un film del 2007 scritto e diretto da fatih akin È stato presentato in concorso al festival di cannes 2007 dove ha vinto il premio per la migliore sceneggiatura

**dal paradiso all inferno i confini dell umano in pdf** - Dec 27 2021

web dal paradiso all inferno i confini dell umano in dostoevskij illustrazione della sinfonia di dante dell'esimio commendatore francesco liszt learn italian level 9 advanced heaven earth angel oggi 26 aprile 2010 mi incammino verso l'inferno un grande amore l'inferno e la speranza la vita dell'essere saggio di una sintesi della teologia e

[dal paradiso all inferno i confini dell umano in dostoevskij](#) - Aug 15 2023

web dal paradiso all inferno i confini dell umano in dostoevskij è un libro di tat jana kasatkina pubblicato da itaca castel bolognese nella collana saggi acquista su ibs a 14 00

**dal paradiso all inferno i confini dell umano in dostoevskij** - Apr 11 2023

web dal paradiso all inferno i confini dell umano in dostoevskij copertina flessibile 11 gennaio 2012 di tat jana kasatkina  
autore elena mazzola a cura di 2 voti visualizza tutti i formati ed edizioni formato kindle 10 99 leggi con la nostra app  
gratuita copertina flessibile da 14 00 2 nuovo da 14 00

*dal paradiso all inferno i confini dell umano in download only* - May 12 2023

web dell odio aug 21 2020 i confini dell odio di diego zandel è un romanzo provocatorio e avvincente sulla guerra interetnica  
nella ex jugoslavia che ha portato alla dissoluzione della stessa guerra della quale ricorre il trentennale del suo inizio uscito  
originariamente nel 2002 per i tipi di arago racconta una storia di violenze e di

**dal paradiso all inferno i confini dell umano in copy** - Mar 30 2022

web now is dal paradiso all inferno i confini dell umano in below le paradise perduto john milton 1827 studi sopra dante  
allighieri per servire all intelligenza della divina commedia prima versione ital di p magna ed by r fulin emil ruth 1865 otto  
novecento 1990 l orditura della divina commedia marino serini 1966

**dal paradiso all inferno i confini dell umano in** - Nov 06 2022

web dal paradiso all inferno i confini dell umano in il paradiso perduto poema inglese di giovanni milton del quale non si  
erano pubblicati se non i primi sei canti tradotto in verso sciolto dal signor paolo rolli con la vita del poeta e con le  
annotazioni sopra tutto il poema di g addison aggiunte alcune osservazioni critiche dec 01 2019

**dal paradiso all inferno i confini dell umano in copy ftp popcake** - Feb 26 2022

web dal paradiso all inferno i confini dell umano in un grande amore l inferno e la speranza eva nella mela l amore dal  
paradiso all inferno istruzioni morali sopra la dottrina cristiana il grande nido che ha dato origine al big bang dei buchi neri  
di stephen hawking dal paradiso all inferno andata e ritorno

**dal paradiso all inferno i confini dell umano in george la** - Jul 14 2023

web right here we have countless ebook dal paradiso all inferno i confini dell umano in and collections to check out we  
additionally present variant types and next type of the books to browse

**dal paradiso all inferno in 5 minuti youtube** - Oct 05 2022

web discesa dal montegrappa dal paradiso all inferno shop sinnaggagghiri shop la mia attrezzatura bit ly sinnamazing  
*dal paradiso all inferno i confini dell umano in dostoevskij* - Aug 03 2022

web mia ostia dal paradiso all inferno i confini dell umano in dal paradiso all inferno i confini dell umano in riassunti inferno  
divina commedia tutti i canti 3 esperienze di pre morte che ti faranno credere nel paradiso ai confini dell aldilà libro dal  
paradiso all inferno i confini dell

**il paradiso dell uomo giappone proibito 1963 imdb** - Apr 30 2022

web il paradiso dell uomo giappone proibito directed by susumu hani giuliano tomei  
[dal paradiso all inferno i confini dell umano in pdf](#) - Dec 07 2022

web dal paradiso all inferno i confini dell umano in downloaded from test accurascan com braylo n vega dal paradiso all inferno boy dell brewer ltd mi chiamo dor jstella rinaldi ho scritto ques to libro autobi ografico per dar voce a chi voce non ne ha dedico questo libro ad ogni singo lo ragazzo andato via troppo presto a causa dell o dioso

**[dal paradiso all inferno i confini dell umano in dostoevskij saggi](#)** - Jan 08 2023

web jul 1 2013 dal paradiso all inferno i confini dell umano in dostoevskij saggi italian edition ebook kasatkina tat jana mazzola e mazzola elena amazon co uk kindle store

**[dal paradiso all inferno i confini dell umano in dostoevskij](#)** - Jun 13 2023

web dal paradiso all inferno i confini dell umano in dostoevskij è un ebook di kasatkina tat jana pubblicato da itaca castel bolognese nella collana saggi a 10 99 il file è in formato epub2 con adobe drm risparmia online con le offerte ibs