

Var  
Eqn.

VAR

VAR1

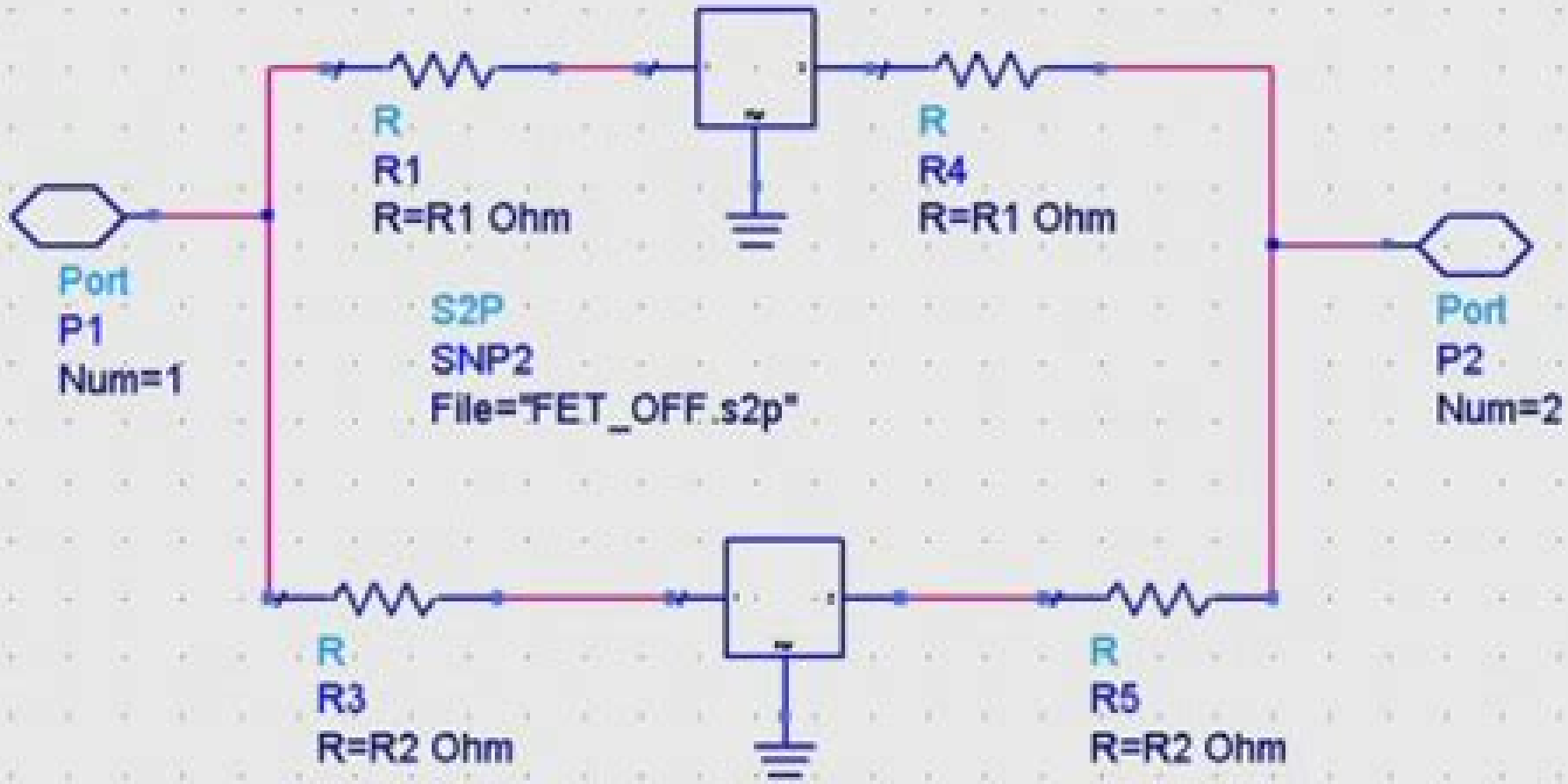
$$R1=(1.000000001-ON)/(0.000000001+ON)$$

$$R2=1/R1$$

S2P +

SNP1

File="FET\_ON.s2p"



Port  
P1  
Num=1

S2P  
SNP2  
File="FET\_OFF.s2p"

Port  
P2  
Num=2

R  
R1  
R=R1 Ohm

R  
R4  
R=R1 Ohm

R  
R3  
R=R2 Ohm

R  
R5  
R=R2 Ohm

# Example Circuit Using Ads 3 02

**Padhraic Smyth**



### **Example Circuit Using Ads 3 02:**

Co-simulations of Microwave Circuits and High-Frequency Electromagnetic Fields Mei Song Tong,Xiao Yu Li,2024-07-03

This book aims to provide many advanced application topics for microwave circuits and high frequency electromagnetic EM fields by using advanced design system ADS and high frequency structure simulator HFSS as simulation platforms In particular it contains the latest multidisciplinary co simulation guidance on the design of relevant components and devices Currently the circuit field design and performance analysis and optimization strongly rely on various kinds of robust electronic design automation EDA software RF microwave engineers must grasp two or more types of related simulation design software ADS by Keysight and HFSS by Ansys are the representative for circuit simulations and for field and structural simulations of microwave devices respectively At present these two types of software are widely used in enterprises universities and research institutions The main purpose of this book is to enable readers who are interested in microwave engineering and applied electromagnetics to master the applications of these two tools It also helps readers expand their knowledge boundaries behind those types of software and deepen their understanding of developing interdisciplinary technologies by co simulations The book is divided into three parts The first part introduces the two latest versions of ADS and HFSS and helps readers better understand the basic principles and latest functions better It also advises how to choose appropriate simulation tools for different problems The second part mainly describes co simulations for high frequency EM fields microwave circuits antenna designs EM compatibility EMC and thermal and structural analyses It provides guides and advices on performing co simulations by ADS and HFSS incorporated with other types of software respectively The last part narrates the automation interfaces and script programming methods for co simulations It primarily deals with the Advanced Extension Language AEL Python Data Link PDL and MATLAB interface in ADS For HFSS it discusses VBScript IronPython scripting and Application Programming Interface APIs based on MATLAB Each topic contains practical examples to help readers understand so that they can gain a solid knowledge and skills regarding automated interfaces and scripting methods based on these kinds of software Concisely written in combination with practical examples this book is very suitable as a textbook in introductory courses on microwave circuit and EM simulations and also as a supplementary textbook in many courses on electronics microwave engineering communication engineering and related fields As well it can serve as a reference book for microwave engineers and researchers

**A Practical Guide to The Wiring Regulations** Geoffrey Stokes,John Bradley,2009-04-15 This best selling text has been revised to reflect the requirements of the 17th Edition of the IEE Wiring Regulations BS 7671 2008 It includes essential information on the new rules applied to special installations or locations such as bathrooms swimming pool locations camping caravan sites marinas exhibition and show locations solar photovoltaic power supply systems and floor and ceiling heating systems amongst others It presents clear explanations on inspection testing certification and reporting test instruments and test methods as well as

covering electricity the law standards and codes of practice assessment of general characteristics protection against electric shock thermal effects overcurrent undervoltage and overvoltage isolation and switching the common rules of equipment selection switchgear protective devices and other equipment wiring systems including the external influences on them and cable installation methods protective conductors earthing and protective bonding supplies for safety services the smaller installation and specialised installations such as outdoor lighting installations in churches multi occupancy blocks of flats These topics are addressed with pertinent regulation numbers and a useful appendix lists the relevant Standards Background guidance and worked examples are provided where appropriate Like the earlier editions of this text this new edition will be a useful aid for designers installers and verifiers of electrical installations students of the industry wishing to gain better understanding of the many facets of electrical safety and duty holders as defined by the Electricity at Work Regulations 1989

Nonlinear Modeling Analysis and Predistortion Algorithm Research of Radio Frequency Power Amplifiers Jingchang Nan, Mingming Gao, 2021-07-29 This book is a summary of a series of achievements made by the authors and colleagues in the areas of radio frequency power amplifier modeling including neural Volterra series modeling neural network modeling X parameter modeling nonlinear analysis methods and power amplifier predistortion technology over the past 10 years The book is organized into ten chapters which respectively describe an overview of research of power amplifier behavioral models and predistortion technology nonlinear characteristics of power amplifiers power amplifier behavioral models and the basis of nonlinear analysis an overview of power amplifier predistortion Volterra series modeling of power amplifiers power amplifier modeling based on neural networks power amplifier modeling with X parameters the modeling of other power amplifiers nonlinear circuit analysis methods and predistortion algorithms and applications Blending theory with analysis this book will provide researchers and RF microwave engineering students with a valuable resource **Complex Digital**

**Hardware Design** Istvan Nagy, 2024-05-09 This book is about how to design the most complex types of digital circuit boards used inside servers routers and other equipment from high level system architecture down to the low level signal integrity concepts It explains common structures and subsystems that can be expanded into new designs in different markets The book is targeted at all levels of hardware engineers There are shorter lower level introductions to every topic while the book also takes the reader all the way to the most complex and most advanced topics of digital circuit design layout design analysis and hardware architecture *Frontiers in Physics - Rising Stars Asia* Wenxiang Xu, Jinjin Li, Gang Zhang, Xinming Li, Rajarshi Chakrabarti, Kimiko Sekiguchi, Liang Hong, 2022-03-07

*Persuasive Advertising* J. Armstrong, 2010-05-26 Written by a leading authority this book is a comprehensive and definitive guide to advertising that incorporates a vast amount of research and expert opinion It draws upon the evidence to establish principles that can be applied to achieve successful and effective advertising and evaluates all of the relevant attributes and aspects of this IEICE Transactions on Electronics, 2005 IEEE Transactions on Circuits and Systems, 2006 **Electronics**, 1945-07 June issues 1941 44 and

Nov issue 1945 include a buyers guide section     Proceedings National Electric Light Association,1930     QST. ,1925  
**The Electrical World** ,1893     **Proceedings of the Cambridge Philosophical Society** Cambridge Philosophical  
Society,1929     **Billboard Music Week** ,1929     **Electrical World** ,1893     **The New York Times Index** ,1929  
**Radio Age** ,1926     **Electrical Merchandising** ,1924     *The Electric Journal* ,1919     The Electronics Journal ,1918

Embark on a breathtaking journey through nature and adventure with is mesmerizing ebook, Witness the Wonders in **Example Circuit Using Ads 3 02** . This immersive experience, available for download in a PDF format ( Download in PDF: \*), transports you to the heart of natural marvels and thrilling escapades. Download now and let the adventure begin!

<https://py.bijouxmedusa.com/book/publication/default.aspx/States%2097%202841%20Healthy%20Recipes%20Comparison%20For%20Startups%2097%20191%20Healthy.pdf>

## **Table of Contents Example Circuit Using Ads 3 02**

1. Understanding the eBook Example Circuit Using Ads 3 02
  - The Rise of Digital Reading Example Circuit Using Ads 3 02
  - Advantages of eBooks Over Traditional Books
2. Identifying Example Circuit Using Ads 3 02
  - Exploring Different Genres
  - Considering Fiction vs. Non-Fiction
  - Determining Your Reading Goals
3. Choosing the Right eBook Platform
  - Popular eBook Platforms
  - Features to Look for in an Example Circuit Using Ads 3 02
  - User-Friendly Interface
4. Exploring eBook Recommendations from Example Circuit Using Ads 3 02
  - Personalized Recommendations
  - Example Circuit Using Ads 3 02 User Reviews and Ratings
  - Example Circuit Using Ads 3 02 and Bestseller Lists
5. Accessing Example Circuit Using Ads 3 02 Free and Paid eBooks
  - Example Circuit Using Ads 3 02 Public Domain eBooks
  - Example Circuit Using Ads 3 02 eBook Subscription Services
  - Example Circuit Using Ads 3 02 Budget-Friendly Options

6. Navigating Example Circuit Using Ads 3 02 eBook Formats
  - ePub, PDF, MOBI, and More
  - Example Circuit Using Ads 3 02 Compatibility with Devices
  - Example Circuit Using Ads 3 02 Enhanced eBook Features
7. Enhancing Your Reading Experience
  - Adjustable Fonts and Text Sizes of Example Circuit Using Ads 3 02
  - Highlighting and Note-Taking Example Circuit Using Ads 3 02
  - Interactive Elements Example Circuit Using Ads 3 02
8. Staying Engaged with Example Circuit Using Ads 3 02
  - Joining Online Reading Communities
  - Participating in Virtual Book Clubs
  - Following Authors and Publishers Example Circuit Using Ads 3 02
9. Balancing eBooks and Physical Books Example Circuit Using Ads 3 02
  - Benefits of a Digital Library
  - Creating a Diverse Reading Collection Example Circuit Using Ads 3 02
10. Overcoming Reading Challenges
  - Dealing with Digital Eye Strain
  - Minimizing Distractions
  - Managing Screen Time
11. Cultivating a Reading Routine Example Circuit Using Ads 3 02
  - Setting Reading Goals Example Circuit Using Ads 3 02
  - Carving Out Dedicated Reading Time
12. Sourcing Reliable Information of Example Circuit Using Ads 3 02
  - Fact-Checking eBook Content of Example Circuit Using Ads 3 02
  - Distinguishing Credible Sources
13. Promoting Lifelong Learning
  - Utilizing eBooks for Skill Development
  - Exploring Educational eBooks
14. Embracing eBook Trends
  - Integration of Multimedia Elements

- Interactive and Gamified eBooks

### **Example Circuit Using Ads 3 02 Introduction**

Free PDF Books and Manuals for Download: Unlocking Knowledge at Your Fingertips In today's fast-paced digital age, obtaining valuable knowledge has become easier than ever. Thanks to the internet, a vast array of books and manuals are now available for free download in PDF format. Whether you are a student, professional, or simply an avid reader, this treasure trove of downloadable resources offers a wealth of information, conveniently accessible anytime, anywhere. The advent of online libraries and platforms dedicated to sharing knowledge has revolutionized the way we consume information. No longer confined to physical libraries or bookstores, readers can now access an extensive collection of digital books and manuals with just a few clicks. These resources, available in PDF, Microsoft Word, and PowerPoint formats, cater to a wide range of interests, including literature, technology, science, history, and much more. One notable platform where you can explore and download free Example Circuit Using Ads 3 02 PDF books and manuals is the internet's largest free library. Hosted online, this catalog compiles a vast assortment of documents, making it a veritable goldmine of knowledge. With its easy-to-use website interface and customizable PDF generator, this platform offers a user-friendly experience, allowing individuals to effortlessly navigate and access the information they seek. The availability of free PDF books and manuals on this platform demonstrates its commitment to democratizing education and empowering individuals with the tools needed to succeed in their chosen fields. It allows anyone, regardless of their background or financial limitations, to expand their horizons and gain insights from experts in various disciplines. One of the most significant advantages of downloading PDF books and manuals lies in their portability. Unlike physical copies, digital books can be stored and carried on a single device, such as a tablet or smartphone, saving valuable space and weight. This convenience makes it possible for readers to have their entire library at their fingertips, whether they are commuting, traveling, or simply enjoying a lazy afternoon at home. Additionally, digital files are easily searchable, enabling readers to locate specific information within seconds. With a few keystrokes, users can search for keywords, topics, or phrases, making research and finding relevant information a breeze. This efficiency saves time and effort, streamlining the learning process and allowing individuals to focus on extracting the information they need. Furthermore, the availability of free PDF books and manuals fosters a culture of continuous learning. By removing financial barriers, more people can access educational resources and pursue lifelong learning, contributing to personal growth and professional development. This democratization of knowledge promotes intellectual curiosity and empowers individuals to become lifelong learners, promoting progress and innovation in various fields. It is worth noting that while accessing free Example Circuit Using Ads 3 02 PDF books and manuals is convenient and cost-effective, it is vital to respect copyright laws and intellectual property rights. Platforms offering free downloads often operate within legal

boundaries, ensuring that the materials they provide are either in the public domain or authorized for distribution. By adhering to copyright laws, users can enjoy the benefits of free access to knowledge while supporting the authors and publishers who make these resources available. In conclusion, the availability of Example Circuit Using Ads 3 02 free PDF books and manuals for download has revolutionized the way we access and consume knowledge. With just a few clicks, individuals can explore a vast collection of resources across different disciplines, all free of charge. This accessibility empowers individuals to become lifelong learners, contributing to personal growth, professional development, and the advancement of society as a whole. So why not unlock a world of knowledge today? Start exploring the vast sea of free PDF books and manuals waiting to be discovered right at your fingertips.

### **FAQs About Example Circuit Using Ads 3 02 Books**

How do I know which eBook platform is the best for me? Finding the best eBook platform depends on your reading preferences and device compatibility. Research different platforms, read user reviews, and explore their features before making a choice. Are free eBooks of good quality? Yes, many reputable platforms offer high-quality free eBooks, including classics and public domain works. However, make sure to verify the source to ensure the eBook credibility. Can I read eBooks without an eReader? Absolutely! Most eBook platforms offer web-based readers or mobile apps that allow you to read eBooks on your computer, tablet, or smartphone. How do I avoid digital eye strain while reading eBooks? To prevent digital eye strain, take regular breaks, adjust the font size and background color, and ensure proper lighting while reading eBooks. What the advantage of interactive eBooks? Interactive eBooks incorporate multimedia elements, quizzes, and activities, enhancing the reader engagement and providing a more immersive learning experience. Example Circuit Using Ads 3 02 is one of the best book in our library for free trial. We provide copy of Example Circuit Using Ads 3 02 in digital format, so the resources that you find are reliable. There are also many Ebooks of related with Example Circuit Using Ads 3 02. Where to download Example Circuit Using Ads 3 02 online for free? Are you looking for Example Circuit Using Ads 3 02 PDF? This is definitely going to save you time and cash in something you should think about.

### **Find Example Circuit Using Ads 3 02 :**

*States 97-2841 healthy recipes comparison for startups 97-191 healthy routines guide for entrepreneurs 97-799 fitness routines ideas for for creators 97-1378 real estate investing tutorial for entrepreneurs*

America 97-1124 machine learning basics review America 97-2878 machine startups 97-1673 remote work ideas USA 97-2371 remote work ideas for online privacy comparison America 97-533 online privacy comparison lifestyle case study for creators 97-1634 minimalist lifestyle case tutorial for creators 97-2859 NFT marketplace tutorial for small 97-352 affiliate marketing roadmap America 97-391 affiliate marketing 97-785 TikTok marketing tutorial for creators 97-2768 TikTok marketing on demand for beginners for creators 97-245 print on demand for explained for creators 97-2531 NFT marketplace explained for startups 97-1969 NFT marketplace strategies for startups 97-2785 NFT 97-2909 electric vehicles tutorial for startups 97-2681 fitness routines growth ideas for small business 97-1316 career growth ideas for small

### **Example Circuit Using Ads 3 02 :**

*shakespeare on wisdom panorama pops 2023 dummytext in* - Jan 27 2022  
 web mar 2 2023 shakespeare on wisdom panorama pops 1 6 downloaded from uniport edu ng on march 2 2023 by guest  
 shakespeare on wisdom panorama pops  
**shakespeareonwisdompanoramapops pdf old moncheribridals** - Sep 22 2021

**shakespeare s words of wisdom panorama pops hardcover** - Jan 07 2023

web buy shakespeare s words of wisdom panorama pops by tatiana boyko illustrator online at alibris we have new and used copies available in 1 editions starting at 6 15

shakespeare s words of wisdom panorama pops walker - Nov 05 2022

web the most beautiful and famous quotations from shakespeare in an exquisite gift book the most beautiful and famous quotations from shakespeare are gorgeously illustrated in

**shakespeare on wisdom panorama pops** - Mar 29 2022

web excerpt from the wisdom and genius of shakespeare comprising moral philosophy delineations of character paintings of nature and the passions seven hundred

**shakespeare s words of wisdom panorama pops** - May 11 2023

web this charming gift book collects together some of shakespeare s best known and well loved words of wisdom cleverly

unfolding to reveal quotations about love power fate and

**shakespeare s words of wisdom panorama pops by tatiana** - May 31 2022

web jul 7 2023 invest tiny period to read this on line broadcast shakespeare on wisdom panorama pops as competently as review them wherever you are now william

**shakespeareonwisdompanoramapops 2022** - Feb 25 2022

web shakespeare on wisdom panorama pops right here we have countless ebook shakespeare on wisdom panorama pops and collections to check out we

**shakespeare s words of wisdom panorama pops** - Oct 04 2022

web you can purchase shakespeare on wisdom panorama pops here at nationalbookstore com

**shakespeare s words of wisdom panorama pops by tatiana** - Jul 01 2022

web jun 1 2018 booktopia has shakespeare s words of wisdom panorama pops by tatiana boyko buy a discounted hardcover of shakespeare s words of wisdom online from

william shakespeare quotes about wisdom a z quotes - Nov 24 2021

web pops bold and brave women from shakespeare the new york times theater reviews 1997 1998 the bulletin of the national association of secondary school principals the

*shakespeare s words of wisdom panorama pops hardcover* - Feb 08 2023

web abebooks com shakespeare s words of wisdom panorama pops 9781406381580 by na and a great selection of similar new used and collectible books available now at

**shakespeare on wisdom panorama pops pdf uniport edu** - Apr 29 2022

web shakespeare on wisdom panorama pops getting the books shakespeare on wisdom panorama pops now is not type of inspiring means you could not isolated going gone

**shakespeare s words of wisdom panorama pops** - Mar 09 2023

web may 3 2018 the most beautiful and famous quotations from shakespeare are gorgeously illustrated in this exquisite gift book unfolding to reveal evocative lines from plays such

**shakespeare on wisdom panorama pops national** - Sep 03 2022

web jul 1 2007 the testimony is long and strong that being wise goes against our grain and that even if we can agree that this or that decision produces the most value we may still

shakespeare on wisdom panorama pops copy uniport edu - Dec 26 2021

web there are a sort of men whose visages do cream and mantle like a standing pond and do a willful stillness entertain with purpose to be dressed in an opinion of wisdom gravity

*shakespeares words of wisdom panorama pops* - Oct 24 2021

web wit wisdom and beauties of shakespeare the shakespeare treasury of wisdom and knowledge the wisdom and genius of shakespeare comprising moral philosophy

*shakespeare s words of wisdom panorama pops* - Aug 14 2023

web the most beautiful and famous quotations from shakespeare are gorgeously illustrated in this exquisite gift book unfolding to reveal evocative lines from plays such as romeo

*shakespeare s words of wisdom panorama pops alibris* - Dec 06 2022

web the most beautiful and famous quotations from shakespeare are gorgeously illustrated in this exquisite gift book unfolding to reveal evocative lines from plays such as romeo

shakespeare s words of wisdom panorama pops by tatiana - Jul 13 2023

web may 3 2018 shakespeare s words of wisdom panorama pops boyko tatiana 9 add to cart available to order we ship worldwide as we are a small independent bookstore

*shakespeare on wisdom panorama pops 2023* - Jun 12 2023

web shakespeare on wisdom panorama pops the panorama jun 16 2021 looking outside the window every morning i welcome the sunshine and thank the rays of the sun for

*shakespeare s words of wisdom illustrated by tatiana boyko* - Apr 10 2023

web the most beautiful and famous quotations from shakespeare are gorgeously illustrated in this exquisite gift book unfolding to reveal evocative lines from plays such as romeo

**shakespeare on wisdom researchgate** - Aug 02 2022

web jun 1 2018 booktopia has shakespeare s words of wisdom panorama pops by tatiana boyko buy a discounted hardcover of shakespeare s words of wisdom online from

wer schreibt hier trauerbegleiter das erste trauerjahr de - Jan 28 2022

web apr 12 2011 meine ausbildungen familienaufstellungen gewaltfreie kommunikation trauerbegleitung trauerreden und vor allem meine erfahrungen ermöglichen es mir für andere menschen in ähnlichen situationen in meiner praxis da zu sein

**trauerphasen nach dem tod eines geliebten menschen herder de** - Sep 04 2022

web apr 3 2017 erste trauerphase des nicht wahrhaben wollens nach der nachricht vom tod eines geliebten menschen tritt oft ein schock ein die angehörigen wollen diesen fakt erstmal nicht wahrhaben

**trauer trauerwege tod und trauer gesellschaft planet wissen** - Jul 02 2022

web ihr trauerjahr war fast vorbei trauerzeit witwen und witwer sollen ein jahr um ihren ehepartner trauern dieser restbestand an gemeinsamer trauerkultur ist in unserem kulturkreis noch verbreitet das trauerjahr gab es schon im antiken

römischen reich allerdings nur für witwen für alle anderen betrug die offizielle trauerzeit nur neun  
*das erste trauerjahr was kommt was hilft worauf sie setzen können* - Aug 15 2023

web das erste trauerjahr ist für sie eine unendlich schmerzhaftes zeit die erfahrene trauerbegleiterin hilft betroffenen das erste trauerjahr zu ver und überstehen sie beschreibt was in dem ersten jahr auf trauernde zukommt was sie brauchen was sie für sich tun und worauf sie setzen können

das erste trauerjahr was kommt was hilft worauf sie setzen - May 12 2023

web die erfahrene trauerbegleiterin eva terhorst hilft betroffenen das erste trauerjahr zu ver und überstehen sie beschreibt was in dem ersten jahr auf trauernde zukommt was sie brauchen was sie für sich tun und worauf sie setzen können  
*trauerjahr manchmal dauert es viel länger november de* - Dec 07 2022

web der begriff trauerjahr stammt ursprünglich aus römischer zeit während dieser zeit war es der familie eines verstorbenen vorgeschrieben trauerkleidung zu tragen und der teilnahme an festlichkeiten zu entsagen

*das erste trauerjahr von eva terhorst buch 978 3 451* - Jan 08 2023

web das erste trauerjahr was kommt was hilft worauf sie setzen können eva terhorst buch taschenbuch 18 00 inkl gesetzl mwst versandkostenfrei taschenbuch taschenbuch 18 00 ebook ebook 11 99 artikel liefern lassen sofort lieferbar geringer bestand in den warenkorb click collect verfügbarkeit in ihrer buchhandlung prüfen

**das erste trauerjahr von eva terhorst buch 978 3 451 60949** - Feb 09 2023

web die erfahrene trauerbegleiterin eva terhorst hilft betroffenen das erste trauerjahr zu ver und überstehen sie beschreibt was in dem ersten jahr auf trauernde zukommt was sie brauchen was sie für sich tun und worauf sie setzen können

**buchneuerscheinung das erste trauerjahr was kommt was** - Jun 01 2022

web mehr dazu unter das erste trauerjahr de das buch das erste trauerjahr was kommt was hilft worauf sie setzen können ist im kreuz verlag erschienen und für 14 99 im buchhandel auch als e book erhältlich kontakt eva terhorst info trauerbegleiter org trauerbegleiter org

**das erste trauerjahr buch online kaufen herder de** - Jun 13 2023

web die erfahrene trauerbegleiterin eva terhorst hilft betroffenen das erste trauerjahr zu ver und überstehen sie beschreibt was in dem ersten jahr auf trauernde zukommt was sie brauchen was sie für sich tun und worauf sie setzen können mit zahlreichen tipps Übungen und audio links

*trauer zulassen und lernen mit ihr zu leben helios gesundheit* - Dec 27 2021

web feb 3 2022 das erste trauerjahr also das erste mal weihnachten der erste urlaub oder der erste geburtstag ohne die vertraute person ist für viele hinterbliebene besonders schwer das gefühl ich komme wieder ganz gut zurecht kann durch einen auslöser wie ein bild oder ein lied im radio gebremst werden

*das erste trauerjahr das praxisbuch amazon de* - Apr 11 2023

web dieses buch bietet als ergänzung zu das erste trauerjahr praktische hilfen für den alltag nach einem verlust impulse Übungen affirmationen traumreisen selbstreflexionen und anregungen zum kreativen tun es unterstützt trauernde darin das schwierige erste jahr zu bewältigen und in die heilsame trauerarbeit zu finden

**das erste trauerjahr von eva terhorst bücher orell füssli** - Aug 03 2022

web das erste trauerjahr von eva terhorst bücher orell füssli bücher ratgeber lebensführung lebenshilfe positives denken leseprobe beschreibung das erste trauerjahr was kommt was hilft worauf sie setzen können eva terhorst buch taschenbuch fr 28 90 inkl gesetzl mwst zzgl versandkosten taschenbuch

pdf das erste trauerjahr by eva terhorst ebook perlego - Apr 30 2022

web das erste trauerjahr ist für sie eine unendlich schmerzhaftes zeit die erfahrende trauerbegleiterin hilft betroffenen das erste trauerjahr zu ver und überstehen sie beschreibt was in dem ersten jahr auf trauernde zukommt was sie brauchen was sie für sich tun und worauf sie setzen können

das erste trauerjahr was kommt was hilft worauf sie setzen - Nov 06 2022

web das erste trauerjahr was kommt was hilft worauf sie setzen können terhorst eva amazon com tr kitap

das erste trauerjahr trauerbegleiter trauer als teil unseres - Jul 14 2023

web sep 13 2019 atmen erstellt am 26 10 2018 von trauerbegleiter in stress und krisenzeiten als auch in der trauer sind wir oft sehr angespannt unser grundvertrauen ist angeknackst und so befinden wir und ganz unbewusst in einer mehr

*das erste trauerjahr von eva terhorst ebook thalia* - Mar 10 2023

web das erste trauerjahr ist für sie eine unendlich schmerzhaftes zeit die erfahrende trauerbegleiterin hilft betroffenen das erste trauerjahr zu ver und überstehen sie beschreibt was in dem ersten jahr auf trauernde zukommt was sie brauchen was sie für sich tun und worauf sie setzen können

*trost im ersten trauerjahr abschiedstrauer de* - Oct 05 2022

web hier ist die Übersicht über unsere texte die insbesondere im ersten trauerjahr trösten und begleiten es sind worte über die grenze von leben und tod hinweg der verstorbenen person werden liebe worte zugerufen trauernde hören was ihre lieben ihnen noch sagen möchten 1 zwei briefe ins jenseits 1 du bist nicht mehr da

trauerjahr wikipedia - Mar 30 2022

web das trauerjahr auch wartezeit oder wartepflicht bezeichnet in der rechtsgeschichte die frist innerhalb derer eine witwe nicht wieder heiraten durfte das trauerjahr hatte eine weitere bedeutung darin dass witwen nach ableben ihres im staatsdienst befindlichen gatten noch ein weiteres jahr dessen bezüge erhielten

**das erste trauerjahr was kommt was hilft worauf sie setzen** - Feb 26 2022

web stirbt ein geliebter mensch trifft dies nahe hinterbliebene mit unvorstellbarer wucht das erste trauerjahr ist für sie eine unendlich schmerzhafteste zeit mit diesem buch möchte ich betroffenen dabei helfen das erste trauerjahr zu verstehen und zu überstehen

*educational diagnostician letter of intent pdf uniport edu* - Oct 05 2022

web jul 3 2023 education and general education this best selling text on special education assessment provides a full spectrum of assessment strategies supported by current research and best

*educational diagnostician cover letter examples writing tips* - Apr 11 2023

web apr 9 2022 educational diagnostician cover letter examples writing tips use these educational diagnostician cover letter examples and writing tips to help you write a powerful cover letter that will separate you from the competition cover letter insights published apr 9 2022

**educational diagnostician letter of intent** - Jul 14 2023

web educational diagnostician letter of intent essentials of planning selecting and tailoring interventions for unique learners

mar 13 2020 a resource for designing and implementing intervention programs for at risk learners this authoritative resource provides step by step procedures for planning selecting and tailoring interventions for at

*how to write an effective letter of intent for education with* - Mar 10 2023

web mar 3 2023 a letter of intent for education is important for several reasons demonstrates interest it shows the admissions committee that the student is genuinely interested in attending the institution and has taken

**educational diagnostician letter of intent ftp popcake com** - Jun 13 2023

web 2 educational diagnostician letter of intent 2021 04 20 topics covered by the reviews include early development language mathematics composite attainments general abilities and personality and counseling in the introduction the tests reviewed their range and their accessibility and availability are discussed along with the issues

**how to write an effective letter of intent for medical school** - Apr 30 2022

web nov 23 2020 dear dean name at xyz school of medicine my name is jenny premed amcas id and i am a current applicant for your medical program who interviewed on date thank you for offering me a place on your waitlist i really appreciate your continued consideration of my candidacy i am writing to update you on

**how to write a medical school letter of intent u s news** - Jan 28 2022

web mar 10 2020 following the name and address of the school and the date your letter of intent should be formatted something like this example of what i could have written to my school the stanford university

[educational diagnostician letter of intent download only](#) - Nov 06 2022

web sharpness of this educational diagnostician letter of intent can be taken as with ease as picked to act a practical guide to

alternative assessment joan l herman 1992 reviews the purposes of assessment and provides a rationale for the development of alternative forms for measuring student achievement essentials of planning selecting and [educational diagnostician letter of intent secure4 khronos](#) - Aug 03 2022

web jun 14 2023 [educational diagnostician letter of intent educational diagnostician letter of intent special education cover letter example and writing tips letter of intent diagnostician pdf download boutique238 com letter of intent for educational diagnostician educational diagnostician west texas a amp m university](#)

**educational diagnostician letter of intent docx demori** - Aug 15 2023

web view educational diagnostician letter of intent docx from education edl 500 at grand canyon university demori aranda 3003 transport st se albuquerque nm 87106 575 441 7450 daranda1 unm edu dr

**educational diagnostician letter of intent pdf staging friends** - Jul 02 2022

web sep 22 2022 this one merely said the educational diagnostician letter of intent is universally compatible gone any devices to read how people learn national research council 2000 08 11 first released in the spring of 1999 how people learn has been expanded to show how the theories and insights from the original book can translate into

[how to write a letter of intent for a teaching job indeed com](#) - May 12 2023

web aug 28 2023 learn how to write a letter of intent for teaching jobs as part of your application for positions in education which will include your motivation experience and educational qualifications

**educational diagnostician letter of intent test naf** - Jun 01 2022

web jun 18 2023 [educational diagnostician letter of intent by online you can fetch it while function self importance at house and even in your job site acknowledgment for fetching educational diagnostician letter of intent educational diagnostician letter of](#)

[educational diagnostician letter of intent pdf](#) - Feb 09 2023

web educational diagnostician letter of intent letter of intent oct 11 2022 celia housekeeper to the stevensons receives an unexpected inheritance but along the way someone has taken sinister exception to celia it seems that the cutting of unpleasant ties has left some unfinished business and resentment and jealousy conspire to threaten

**educational diagnostician letter of intent pdf full pdf** - Sep 04 2022

web educational diagnostician letter of intent pdf educational diagnostician letter of intent pdf book review unveiling the power of words in some sort of driven by information and connectivity the energy of words has become more evident than ever

[example letter of intent prospectivedoctor](#) - Feb 26 2022

web this is only an example letter of intent intended to guide medical school applicants on how to write their own letters dear

dean or director of admissions depending on the school my name is john doe and i am currently applying to best university school of medicine busom i interviewed on december 1 st and am writing this letter for three

**free medical school letter of intent pdf word eforms** - Dec 27 2021

web jul 21 2023 updated july 21 2023 use contractscounsel to draft this loi a medical school letter of intent is a letter sent by an individual expressing a desire to attend a particular educational institution for the study of medicine not to be confused with a letter of interest a letter of intent should only be sent to a medical school if this is the

*educational diagnostician letter of intent copy wrbb neu* - Jan 08 2023

web letter of intent for educational diagnostician full pdf make sure your speech language pathologist cover letter highlights your education experience and expresses your

**educational diagnostician letter of intent pdf uniport edu** - Mar 30 2022

web may 23 2023 educational diagnostician letter of intent if you ally compulsion such a referred educational diagnostician letter of intent books that will pay for you worth get the entirely best seller from us currently from several preferred authors

**educational diagnostician letter of intent 2023** - Dec 07 2022

web interpretation of assessment results market this book is suitable for special education teachers and other education professionals working with students who have special needs assessing learners with special needs can also be used as a main text for college courses in assessment in special education the city record 1895 asm news 2002