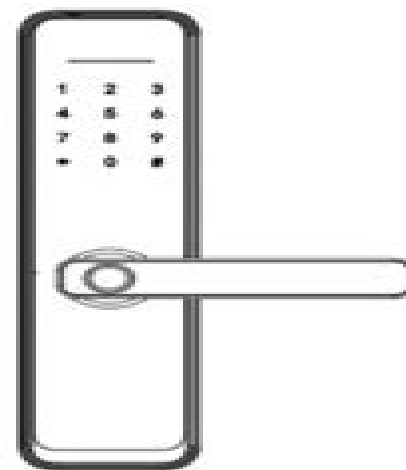


10. Technical Parameters

Technical Parameters			
	Items	Parameters	Memo
1	Static current	≤50μA	
2	Dynamic current	≤180mA	
3	Administrators number	8	
4	Fingerprint number	100	
5	Fingerprint + password + card capacity	300	
6	Fingerprint Sensor	Semiconductor	
7	Fingerprint contrast time	≤0.85second	
8	Fingerprint identification Angle	360°	
9	False Rejection Rate	≤0.1%	
10	False Recognition Rate	≤0.0001%	
11	Reaction time	≤0.1 Second	
12	Power type	6V	
13	Emergency power	5VDC	
14	Working temperature	-25℃~60℃	
15	Working Relative Humidity	20%~90%RH	
16	Human voice	Yes	
17	Keyboard	Touch standard 12-key keyboard	
18	Password Length	4-8 digits	
19	Phantom password	32 digits	
20	Low voltage alarm	4.5±0.2V	
21	Unlock time	≤1 Second	

Instruction of smart lock



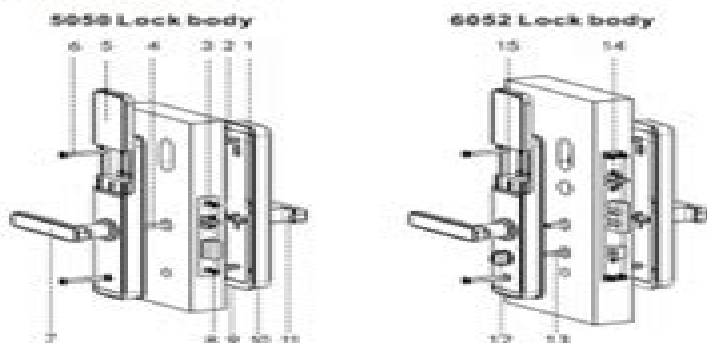
NOTICE:

1. Please read this instruction sheet before used.
2. Please take key with you or put it outside the room.

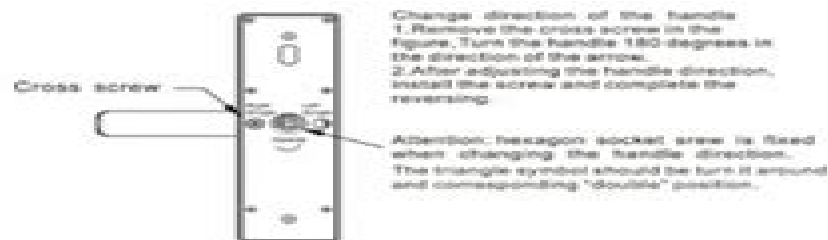
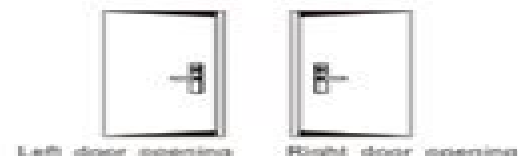
1. Installation

- a. Professional installation recommended
- b. Pay attention to the connecting cable during installation.
- c. Please adjust the handle direction according to the instructions.
- d. It is necessary to keep the door half open during installation
- e. After installation, please check whether fingerprint, password, IC card, key, internal and external handle, and anti lock switch can work normally.
- f. If it can't be used normally check for improper installation.

2. Installation diagram



3. Confirm the direction of the handle



4. Cutout

Refer to the hole drawing and the lock body model.

5. Install the lock body:

- 5.1 Support lock body model: 5050, 4585, 6085, 5572, 6072, 6052, ball lock, etc.
- 5.2 Adjust the direction of the diagonal tongue according

Manual E Lock

War office



Manual E Lock:

Yeah, reviewing a books **Manual E Lock** could accumulate your near friends listings. This is just one of the solutions for you to be successful. As understood, success does not recommend that you have astonishing points.

Comprehending as skillfully as accord even more than further will find the money for each success. bordering to, the notice as with ease as perspicacity of this Manual E Lock can be taken as capably as picked to act.

<https://py.bijouxmedusa.com/results/Resources/default.aspx/11%202939%20AI%20Tools%20Best%20Practices%20For%20Creators%2011%20618%20AI%20Tools%20Best.pdf>

Table of Contents Manual E Lock

1. Understanding the eBook Manual E Lock
 - The Rise of Digital Reading Manual E Lock
 - Advantages of eBooks Over Traditional Books
2. Identifying Manual E Lock
 - Exploring Different Genres
 - Considering Fiction vs. Non-Fiction
 - Determining Your Reading Goals
3. Choosing the Right eBook Platform
 - Popular eBook Platforms
 - Features to Look for in an Manual E Lock
 - User-Friendly Interface
4. Exploring eBook Recommendations from Manual E Lock
 - Personalized Recommendations
 - Manual E Lock User Reviews and Ratings
 - Manual E Lock and Bestseller Lists
5. Accessing Manual E Lock Free and Paid eBooks
 - Manual E Lock Public Domain eBooks

- Manual E Lock eBook Subscription Services
- Manual E Lock Budget-Friendly Options
- 6. Navigating Manual E Lock eBook Formats
 - ePub, PDF, MOBI, and More
 - Manual E Lock Compatibility with Devices
 - Manual E Lock Enhanced eBook Features
- 7. Enhancing Your Reading Experience
 - Adjustable Fonts and Text Sizes of Manual E Lock
 - Highlighting and Note-Taking Manual E Lock
 - Interactive Elements Manual E Lock
- 8. Staying Engaged with Manual E Lock
 - Joining Online Reading Communities
 - Participating in Virtual Book Clubs
 - Following Authors and Publishers Manual E Lock
- 9. Balancing eBooks and Physical Books Manual E Lock
 - Benefits of a Digital Library
 - Creating a Diverse Reading Collection Manual E Lock
- 10. Overcoming Reading Challenges
 - Dealing with Digital Eye Strain
 - Minimizing Distractions
 - Managing Screen Time
- 11. Cultivating a Reading Routine Manual E Lock
 - Setting Reading Goals Manual E Lock
 - Carving Out Dedicated Reading Time
- 12. Sourcing Reliable Information of Manual E Lock
 - Fact-Checking eBook Content of Manual E Lock
 - Distinguishing Credible Sources
- 13. Promoting Lifelong Learning
 - Utilizing eBooks for Skill Development
 - Exploring Educational eBooks

14. Embracing eBook Trends

- Integration of Multimedia Elements
- Interactive and Gamified eBooks

Manual E Lock Introduction

Free PDF Books and Manuals for Download: Unlocking Knowledge at Your Fingertips In today's fast-paced digital age, obtaining valuable knowledge has become easier than ever. Thanks to the internet, a vast array of books and manuals are now available for free download in PDF format. Whether you are a student, professional, or simply an avid reader, this treasure trove of downloadable resources offers a wealth of information, conveniently accessible anytime, anywhere. The advent of online libraries and platforms dedicated to sharing knowledge has revolutionized the way we consume information. No longer confined to physical libraries or bookstores, readers can now access an extensive collection of digital books and manuals with just a few clicks. These resources, available in PDF, Microsoft Word, and PowerPoint formats, cater to a wide range of interests, including literature, technology, science, history, and much more. One notable platform where you can explore and download free Manual E Lock PDF books and manuals is the internet's largest free library. Hosted online, this catalog compiles a vast assortment of documents, making it a veritable goldmine of knowledge. With its easy-to-use website interface and customizable PDF generator, this platform offers a user-friendly experience, allowing individuals to effortlessly navigate and access the information they seek. The availability of free PDF books and manuals on this platform demonstrates its commitment to democratizing education and empowering individuals with the tools needed to succeed in their chosen fields. It allows anyone, regardless of their background or financial limitations, to expand their horizons and gain insights from experts in various disciplines. One of the most significant advantages of downloading PDF books and manuals lies in their portability. Unlike physical copies, digital books can be stored and carried on a single device, such as a tablet or smartphone, saving valuable space and weight. This convenience makes it possible for readers to have their entire library at their fingertips, whether they are commuting, traveling, or simply enjoying a lazy afternoon at home. Additionally, digital files are easily searchable, enabling readers to locate specific information within seconds. With a few keystrokes, users can search for keywords, topics, or phrases, making research and finding relevant information a breeze. This efficiency saves time and effort, streamlining the learning process and allowing individuals to focus on extracting the information they need. Furthermore, the availability of free PDF books and manuals fosters a culture of continuous learning. By removing financial barriers, more people can access educational resources and pursue lifelong learning, contributing to personal growth and professional development. This democratization of knowledge promotes intellectual curiosity and empowers individuals to become lifelong learners, promoting progress and innovation in various fields. It is worth noting that while accessing free

Manual E Lock PDF books and manuals is convenient and cost-effective, it is vital to respect copyright laws and intellectual property rights. Platforms offering free downloads often operate within legal boundaries, ensuring that the materials they provide are either in the public domain or authorized for distribution. By adhering to copyright laws, users can enjoy the benefits of free access to knowledge while supporting the authors and publishers who make these resources available. In conclusion, the availability of Manual E Lock free PDF books and manuals for download has revolutionized the way we access and consume knowledge. With just a few clicks, individuals can explore a vast collection of resources across different disciplines, all free of charge. This accessibility empowers individuals to become lifelong learners, contributing to personal growth, professional development, and the advancement of society as a whole. So why not unlock a world of knowledge today? Start exploring the vast sea of free PDF books and manuals waiting to be discovered right at your fingertips.

FAQs About Manual E Lock Books

What is a Manual E Lock PDF? A PDF (Portable Document Format) is a file format developed by Adobe that preserves the layout and formatting of a document, regardless of the software, hardware, or operating system used to view or print it. **How do I create a Manual E Lock PDF?** There are several ways to create a PDF: Use software like Adobe Acrobat, Microsoft Word, or Google Docs, which often have built-in PDF creation tools. Print to PDF: Many applications and operating systems have a "Print to PDF" option that allows you to save a document as a PDF file instead of printing it on paper. Online converters: There are various online tools that can convert different file types to PDF. **How do I edit a Manual E Lock PDF?** Editing a PDF can be done with software like Adobe Acrobat, which allows direct editing of text, images, and other elements within the PDF. Some free tools, like PDFescape or Smallpdf, also offer basic editing capabilities. **How do I convert a Manual E Lock PDF to another file format?** There are multiple ways to convert a PDF to another format: Use online converters like Smallpdf, Zamzar, or Adobe Acrobats export feature to convert PDFs to formats like Word, Excel, JPEG, etc. Software like Adobe Acrobat, Microsoft Word, or other PDF editors may have options to export or save PDFs in different formats. **How do I password-protect a Manual E Lock PDF?** Most PDF editing software allows you to add password protection. In Adobe Acrobat, for instance, you can go to "File" -> "Properties" -> "Security" to set a password to restrict access or editing capabilities. Are there any free alternatives to Adobe Acrobat for working with PDFs? Yes, there are many free alternatives for working with PDFs, such as: LibreOffice: Offers PDF editing features. PDFsam: Allows splitting, merging, and editing PDFs. Foxit Reader: Provides basic PDF viewing and editing capabilities. How do I compress a PDF file? You can use online tools like Smallpdf, ILovePDF, or desktop software like Adobe Acrobat to compress PDF files without significant quality loss. Compression reduces the file size, making it easier to share and download. Can I fill out forms in a

PDF file? Yes, most PDF viewers/editors like Adobe Acrobat, Preview (on Mac), or various online tools allow you to fill out forms in PDF files by selecting text fields and entering information. Are there any restrictions when working with PDFs? Some PDFs might have restrictions set by their creator, such as password protection, editing restrictions, or print restrictions. Breaking these restrictions might require specific software or tools, which may or may not be legal depending on the circumstances and local laws.

Find Manual E Lock :

11-2939 AI tools best practices for creators 11-618 AI tools best
 America 11-1680 chatbot development for beginners USA 11-1173 chatbot
examples America 11-784 AI marketing examples USA 11-584 AI marketing
 recipes roadmap America 11-837 healthy recipes roadmap United States
for startups 11-1468 YouTube growth tutorial for creators 11-2621
 for startups 11-2494 wearable technology tools for creators 11-876
 United States 11-1915 blog monetization explained United States 11-244
 small business 11-113 interview tips tips for small business 11-2183
 retirement planning software USA 11-2371 retirement planning step by
 for small business 11-1844 productivity hacks examples USA 11-514
States 11-2279 coding for beginners for beginners for startups 11-764
 interview tips tutorial for creators 11-697 interview tips tutorial for
 11-2182 self improvement ideas USA 11-438 self improvement ideas United
tools USA 11-1255 smart home tech tools for creators 11-1402 smart home
 marketing best practices for creators 11-1502 AI marketing best

Manual E Lock :

amazon com poetry notebook - Feb 27 2022
 web poet s writing journal to inspire poems prose the poetry manifesto blank lined notebook motivational poetry notebook
 gift for poets writers and authors
[9781447269106 poetry notebook 2006 2014 1447269101](#) - Nov 07 2022
 web abebooks com poetry notebook 2006 2014 9781447269106 and a great selection of similar new used and collectible

books available now at great prices

[poetry notebook 2006 2014 clive james google books](#) - Mar 11 2023

web with his customary wit delightfully lucid prose style and wide ranging knowledge clive explains the difference between the innocuous stuff that often passes for poetry today and a real poem

[poetry notebook 2006 2014 james clive 1939 2019 author](#) - Aug 16 2023

web xviii 234 pages 21 cm clive james is one of our finest critics and best loved cultural voices he is also a prize winning poet since he was first enthralled by the mysterious power of poetry he has been a dedicated student in fact for clive poetry has been nothing less than the occupation of a lifetime and in this book he presents a

pdf poetry notebook 2006 2014 studylib net - Jun 02 2022

web free essays homework help flashcards research papers book reports term papers history science politics

poetry notebook 2006 2014 clive james google books - Feb 10 2023

web a committed formalist and an astute commentator he offers close and careful readings of individual poems and poets from shakespeare to larkin keats to pound and in some case second readings

the notebook film 2004 beyazperde com - Jan 29 2022

web mar 11 2021 the notebook orijinal fragman 117 350 gösterim ekstra videolar 5 46 en güzel sonbahar filmleri 2 750 gösterim 9 02 en sıcak yaz aşkı filmleri 18 228 gösterim Öneriler son haberler haberler İnternette seçtiklerimiz 14 Şubat 2021 pazar film kareleriyle aşkın sinemadaki İzleri

poetry notebook 2006 2014 9781447269120 abebooks - Oct 06 2022

web abebooks com poetry notebook 2006 2014 9781447269120 and a great selection of similar new used and collectible books available now at great prices

poetry notebook 2006 2014 hardcover 9 oct 2014 - Dec 08 2022

web oct 9 2014 buy poetry notebook 2006 2014 main market by james clive isbn 9781447269106 from amazon s book store everyday low prices and free delivery on eligible orders

[poetry notebook 2006 2014 by james clive amazon ae](#) - Jul 03 2022

web buy poetry notebook 2006 2014 by james clive online on amazon ae at best prices fast and free shipping free returns cash on delivery available on eligible purchase

poetry notebook 2006 2014 anna s archive - May 13 2023

web filled with insight and written with an honest infectious enthusiasm poetry notebook is the product of over fifty years of writing reading translating and thinking about poetry includes bibliographical references pages 233 234 notes on poetry other articles about poetry finale to a notebook

[poetry notebook 2006 2014 hardcover 1 october 2014 - Aug 04 2022](#)

web poetry notebook is a stellar collection by a great australian writer a man who looking back with tired eyes retains the poetic enthusiasm of his teenage self james mcnamara the australian we should be grateful still to benefit from clive james encyclopaedic knowledge of and love for poetry and his almost faultless ability

[poetry notebook project by patrick o donovan prezi - Mar 31 2022](#)

web jul 3 2014 poetry notebook project glossary glossary cont john o donovan metaphor a comparison without using like or as roy is a cheetah when he runs simile a comparison using like or as he is as fast as a cheetah personification giving human like qualities to non human objects the

poetry notebook 2006 2014 by clive james booktopia - Sep 05 2022

web booktopia has poetry notebook 2006 2014 by clive james buy a discounted hardcover of poetry notebook online from australia s leading online bookstore

poetry notebook 2006 2014 james clive amazon com tr kitap - Jun 14 2023

web arama yapmak istediğiniz kategoriye seçin

poetry notebook 2006 2014 by clive james goodreads - Jan 09 2023

web poetry notebook is an old fashioned work of criticism and reactionary formalism belaboring the technical brilliance of 20th century poets especially yeats frost plath larkin and auden and deriding the nonsense of abstract poetry pound and the metrical degeneracy of free verse it is full of dogmatic pronouncements this line is packed

[poetry notebook 2006 2014 by clive james financial times - Apr 12 2023](#)

web oct 17 2014 poetry notebook 2006 2014 by clive james picador rrp 14 99 liveright rrp 24 95 192 pages elaine feinstein is author of it goes with the territory memoir of a poet alma books

[poetry notebook etsy - Dec 28 2021](#)

web poetry poetry journal poetry notebook poetry book poems book of poems writer gift personalized poetry gift stocking stuffer book

[poetry notebook pdf sonnets ballad scribd - May 01 2022](#)

web poetry notebook free download as pdf file pdf text file txt or read online for free scribd is the world s largest social reading and publishing site documents poetry poetry notebook uploaded by soadquake981 100 4 100 found this document useful 4 votes 3k views 29 pages

[poetry notebook 2006 2014 review the guardian - Jul 15 2023](#)

web feb 16 2015 and the last three words transport us elsewhere the reader translated with the rain it perfectly exemplifies what the best poems do poetry notebook 2006 2014 is published by picador

[a horse for kate horses and friends 1 paperback amazon co uk](#) - Mar 13 2023

web having always loved horses and horse shows etc kate is surprised when tori admits to having never been near a horse let alone ridden one when the girls both get offered jobs in exchange for riding lessons at a local stable tori s parents say no due to her mom being very scared of them

[a horse for kate horses and friends book 1 kindle edition](#) - Feb 12 2023

web a horse for kate horses and friends book 1 ebook ferrell miralee amazon com au kindle store

a horse for kate by miralee ferrell horses and friends 1 - May 15 2023

web mar 1 2015 what s a horse for kate about publisher summary when kate s family moves she leaves behind her friends and the riding lessons she loves but when she meets tori and they find a mysterious thoroughbred her new life might just mean her biggest dream comes true simultaneous ebook what kind of book is a horse for kate topics

a horse for kate volume 1 horses and friends amazon com - Sep 19 2023

web mar 1 2015 a 9 year olds review of a horse for kate kate the main character is energetic an adventurer and she love love loves horses she has a little brother named pete with autism which means he doesn t talk a lot kate has a hard time adjusting when her family moves from spokane to odell at her new school she meets tori and the two

a horse for kate overdrive - Apr 02 2022

web mar 1 2015 when kate discovers a barn on their new farm that s perfect for a horse and a dusty bridle too she starts to think that her dream might come true then she meets tori at school who is totally the best

a horse for kate volume 1 paperback march 1 2015 - Mar 01 2022

web mar 1 2015 paperback 11 35 24 used from 8 50 24 new from 6 48 2 collectible from 37 95 a horse of her own would be awesome but kate figures that might be a long way away especially since she had to give up riding lessons and move to her late grandfather s farm besides it would be a lot more fun to have a best friend to ride with

a horse for kate horses and friends book 1 kindle edition - Jul 17 2023

web mar 1 2015 a 9 year olds review of a horse for kate kate the main character is energetic an adventurer and she love love loves horses she has a little brother named pete with autism which means he doesn t talk a lot kate has a hard time adjusting when her family moves from spokane to odell at her new school she meets tori and the two

a horse for kate horses and friends book 1 kindle edition - Jan 11 2023

web mar 1 2015 a horse for kate horses and friends book 1 kindle edition by miralee ferrell author format kindle edition 681 ratings book 1 of 6 horses and friends see

horses and friends 6 book series kindle edition amazon com - Jun 16 2023

web summer is winding down for kate and her friends when a surprise visitor appears at her family s stable a beautiful bay

horse wearing a halter and a bad attitude dubbing the horse rebel the friends set out to find the horse s owner
a horse for kate horses and friends 1 goodreads - Aug 18 2023

web mar 1 2015 356 ratings 85 reviews a horse of her own would be awesome but kate figures that might be a long way away especially since she had to give up riding lessons and move to her late grandfather s farm besides it would be a lot more fun to have a best friend to ride with

a horse for kate horses and friends book 1 kindle edition - Apr 14 2023

web a horse for kate is story about a girl kate as depicted on the cover who longs to own a horse this is many a girl s dream mine included i m sure fate and circumstances dictate whether you or i fulfill this dream

[horses and friends series by miralee ferrell goodreads](#) - Dec 10 2022

web book 1 a horse for kate by miralee ferrell 4 24 356 ratings 85 reviews published 2015 3 editions a horse of her own would be awesome but kate figu want to read

a horse for kate volume 1 horses and friends softcover - Jun 04 2022

web abebooks com a horse for kate volume 1 horses and friends 9780781411141 by ferrell miralee and a great selection of similar new used and collectible books available now at great prices a horse for kate volume 1 horses and friends ferrell miralee 9780781411141 abebooks

[a horse for kate 1 horses and friends amazon in](#) - Aug 06 2022

web a horse for kate 1 horses and friends ferrell miralee amazon in books skip to main content in hello select your address books select the department you want to search in search amazon in en hello sign in account lists returns

a horse for kate horses and friends 1 band 1 amazon de - Jul 05 2022

web when kate discovers a barn on their new farm that 8217 s perfect for a horse and a dusty bridle too she starts to think that her dream might come true then she meets tori at school who is totally the best

a horse for kate horses and friends book 1 kindle edition - Nov 09 2022

web a horse for kate horses and friends book 1 ebook ferrell miralee amazon in kindle store

[horses and friends audiobooks audible com](#) - Jan 31 2022

web a horse for kate publisher s summary a horse of her own would be awesome but kate figures that might be a long way away especially since she had to give up riding lessons and move to her late grandfather s farm besides it would be a lot more fun to have a best friend to ride with

horses and friends series volumes 1 4 christianbook com - May 03 2022

web join kate ferris and her friends as they ride and care for horses while solving mysteries at the stables includes volumes 1 through 4 1 a horse for katie 2 silver spurs 3 mystery rider and 4 blue ribbon trail ride recommended 8 to 12 years buy item

25 99 retail 35 96 save 28 9 97 quantity 1 add to cart add to wishlist

a horse for kate horses and friends book 1 unabridged - Oct 08 2022

web may 27 2022 a horse of her own would be awesome but kate figures that might be a long way away especially since she had to give up riding lessons and move to her late grandfather s farm besides it would be a lot more fun to have a best friend to ride with when kate discovers a barn on thei

amazon com customer reviews a horse for kate volume 1 horses - Sep 07 2022

web jul 13 2015 find helpful customer reviews and review ratings for a horse for kate volume 1 horses and friends at amazon com read honest and unbiased product reviews from our users

top 15 must try experiences in vietnam travel authentic asia - May 17 2023

web for an even better experience stay overnight at one of the beachside resorts and enjoy the sunset on your balcony 8 search for vietnam s best pho in hanoi pho is a traditional vietnamese noodle dish that can be found all over the country but the best pho in vietnam is said to be found in hanoi

12 must have experiences in vietnam earth trekkers - Jun 18 2023

web aug 9 2023 in hanoi dine on sweet sticky rice turmeric fish with dill bún cha grilled pork and noodles and fried dumplings in saigon dine on bánh mì vietnamese baguette sandwich or bánh tam bì thick noodles with pork and coconut cream sauce in hoi an try the cao lau and in hue try the bún bò hue

the best authentic local experiences in vietnam origin vietnam - Jul 19 2023

web vietnam is a country rich in history and culture and there are plenty of authentic local experiences to be had from exploring the ancient city of hanoi to visiting the picturesque ha long bay there is much to see and do in vietnam for those looking to experience the true culture of vietnam a visit to ho chi minh city is a must

top 10 ultra luxury experiences in vietnam - Oct 10 2022

web nov 2 2019 02 nov these experiences in vietnam luxury tours are concentrated excursions cutting straight to the heart of this beautiful country cruise the magnificent halong bay explore the different faces of colonial and modern saigon dine on home cooked authentic vietnamese cuisine to get a closer look at family s tradition

12 vietnamese eateries in singapore that are pho sure legit - Aug 20 2023

web address 18 foch road singapore 209260 opening hours 12pm 11pm daily telephone 9235 3548 website 4 pho 99 vietnamese delights the next time you re in the cbd and looking to grab a quick hearty lunch head to pho 99 a little vietnamese restaurant tucked in a corner of amoy street source waiyan l

11 best vietnam experiences to enjoy authentic unique amazing - Oct 22 2023

web oct 9 2019 11 best vietnam experiences to try a multicolor vietnam each region in vietnam has its own culture and

history which can make tourists confused since if they merely have a certain amount of time it would be difficult to totally discover this beautiful country's signature

amazing experiences you can only have in vietnam - Mar 15 2023

web 13 september 2022 in our globalised world you can get a taste of most cultures in any urban centre but there's just so much you'll miss if you don't get out and travel here are some experiences you can only have if you hop on a plane train or boat and make your way to vietnam

the authentic vietnamese experience the best viet 2023 - Aug 08 2022

web the authentic vietnamese experience the best viet the little viet kitchen may 23 2023 as a child we had nothing and the value of every meal therefore was so important to us this has shaped my love and perspective on food born in a small village in the south of vietnam thuy was

discover authentic vietnam top 20 destinations and tour ideas - Feb 14 2023

web 2 weeks authentic vietnam tour vietnam homestay tour 3 weeks authentic vietnam tour vietnam differently it can also be a totally immersive trip discovering only the landscapes and ethnic groups of the north of the country such as vietnam off the beaten track 2 weeks ethnics and rice terraces of upper tonkin

21 vietnamese restaurants for authentic pho in singapore 2022 - Sep 09 2022

web besides it is suitable for the whole family and gives you the actual feel of vietnam hop into an la ghien today and get a chance to delight in their savoury selection of charcoal grilled meat cuts and traditional vietnamese barbeque address 45 geylang lorong 27 singapore 388177 contact number 65 9430 0863 4

8 best vietnamese restaurants in singapore 2023 authentic vietnam - Sep 21 2023

web oct 29 2023 vietnamese food singapore best vietnamese food in singapore 2023 1 Ăn là ghiền lẩu nướng tự chọn vietnamese barbeque hotpot 2 long phung vietnamese cuisine 3 mrs pho

the ultimate vietnam bucket list 9 must do experiences - Jan 13 2023

web oct 2 2023 however this enchanting country has so much more to offer vietnam is a land of diverse experiences ranging from the lively urban hubs to the calm countryside with a plethora of options it's easy to feel overwhelmed but fret not we've got your back we've carefully selected the top 9 experiences that epitomize vietnam

10 unforgettable vietnamese experiences discover the rich - Apr 16 2023

web nov 14 2023 experience the enchanting allure of hoi an and hue two ancient towns that offer a glimpse into vietnam's rich history and cultural heritage hoi an's beautifully preserved architecture narrow winding streets and vibrant lantern lit nights will transport you back in time marvel at the japanese bridge explore the numerous tailor shops and

10 best vietnamese food places in singapore that will blow your - Jul 07 2022

web may 16 2023 to finish off your meal invigorate your senses with a cup of coco coffee s 6 50 or egg whisked coffee s 6 50 for hot order delivery deliveroo 151 upper paya lebar road singapore 534851 65 6970 9655 mon wed to fri 11am 9pm sat sun 10am 9pm

[9 best ways to experience vietnam ethnic groups](#) - Nov 11 2022

web may 14 2023 6 discover regions with a significant concentration of ethnic groups some of the best regions in vietnam to experience the local minority culture include sapa in lao cai province ha giang province mai chau in hoa binh province and the central highlands with kon tum gia lai and dak lak

vietnam the ultimate travel experience vietnam tourism - May 05 2022

web parceled into 58 provinces cities and 5 main cities vietnam boasts 3 260 km of coastland and more than 3 000 large and small islands vietnam is a tropical country with lots of rivers lakes deltas and wetlands vietnam is also known for its mountainous regions from the north to the south and including the much ballyhooed central highlands

[20 must have vietnam moments vietnam tourism](#) - Dec 12 2022

web 20 must have vietnam moments morning market in can tho all photos by christian berg great vietnam moments come in many forms they can be the messy delight of trying fruit in a floating market or the eye opening first taste of phở they can happen in the frenetic streets of a city or a whisper soft morning in the mountains

[10 of the most unique experiences to try in vietnam](#) - Jun 06 2022

web july 18 2022 fiona mcnicol from gazing in awe at unesco world heritage listed sites to finding your spiritual roots in central vietnam teeing off at one of asia s best golf courses or getting stuck into local dishes like phở and bun cha when you travel to vietnam you re never far away from a unique experience

[how do the best tour companies in vietnam provide authentic](#) - Apr 04 2022

web travelers may observe everyday life interact with people and experience vietnamese culture in its rawest form by discovering hidden treasures and isolated communities these off the beaten track activities provide an authentic peek at regional customs culinary treats and traditional handicrafts that may be missed by mass tourists

[11 best vietnam experiences to enjoy authentic unique amazing](#) - Mar 03 2022

web jun 2 2022 each region in vietnam has its own culture and history which can make tourists confused since if they merely have a certain sum of prison term it would be unmanageable to wholly discover this beautiful area s signature to find out solutions for this problem tourists can check out these 11 suggestions of the