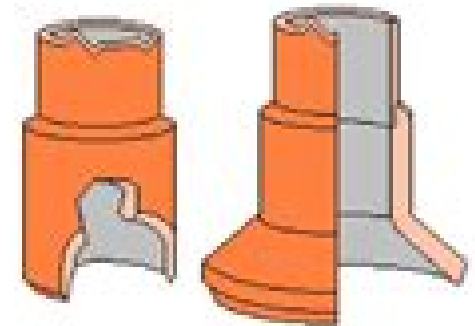


Well COMPLETION

5. OTHERS

5.1 Wireline Entry Guide (WLEG)

- Bottom most tubing accessories.
- Provide easy access for WL tools into tubing.

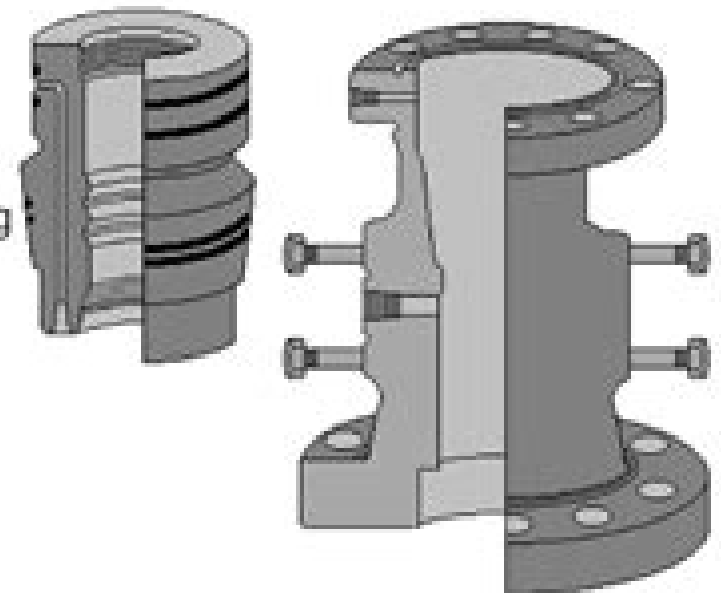


5.2 Perforated Joint

- Eliminate flow restrictions.
- Provide true downhole flow readings.

5.3 Control Line

- Transport hydraulic fluid to SCSSV
- Continuous length & securely clamped on tubing wall.



5.4 Tubing Hanger

- Set in THS , suspend tubing weight & provide sealing.
- BPV Receptacle

Wireline Operations Manual

**American Petroleum Institute. Division
of Production**

Wireline Operations Manual:

Standard Handbook of Petroleum and Natural Gas Engineering William C. Lyons, Gary J Plisga BS, 2011-03-15 This new edition of the Standard Handbook of Petroleum and Natural Gas Engineering provides you with the best state of the art coverage for every aspect of petroleum and natural gas engineering With thousands of illustrations and 1 600 information packed pages this text is a handy and valuable reference Written by over a dozen leading industry experts and academics the Standard Handbook of Petroleum and Natural Gas Engineering provides the best most comprehensive source of petroleum engineering information available Now in an easy to use single volume format this classic is one of the true must haves in any petroleum or natural gas engineer s library A classic for the oil and gas industry for over 65 years A comprehensive source for the newest developments advances and procedures in the petrochemical industry covering everything from drilling and production to the economics of the oil patch Everything you need all the facts data equipment performance and principles of petroleum engineering information not found anywhere else A desktop reference for all kinds of calculations tables and equations that engineers need on the rig or in the office A time and money saver on procedural and equipment alternatives application techniques and new approaches to problems

Wireline Operations and Procedures American Petroleum Institute. Division of Production, 1964

Wireline Operations Jack B. Hall, 1988

Wireline Operations and Procedures American Petroleum Institute. Production Department, 1994

Oilfield Survival Guide, Volume One: For All Oilfield Situations Matthew J. Hatami, 2017-01-02 Save Money Time and Lives with the Real World Oil Gas Experience of Others Learning the Hard Way in the Oilfield can Cost You Millions sometimes Billions of Dollars in addition to Injury and Loss of Life Cut Through the Noise to Focus on the Most Critical Aspects of Working in the Oil and Gas Business Based on over 1 000 Oil and Gas Situations involving Drilling Cementing Fracking Wireline Coil Tubing Snubbing Running Tools Welding Production Workover Logging Trucking Geology Land Engineering Resource Development Executive Management and much much more Expand Your Value Creation Opportunities by Learning from the Real World Experience of Others Whether you work in the office or in the field work as a Company Man Engineer Driller Tool Pusher Roughneck Geologist Landman Truck Driver Frac Hand Treater Cementer Lawyer Flowback Hand Welder Geophysicist Snubber Pumper Equipment Operator Derrick Man Mechanic Petrophysicist Roustabout Manager Director VP or Executive consider adding Oilfield Survival Guide to your toolbox of knowledge In other words if you work hard for your money in the oil business this book is for you The oil gas industry is one of the most capital intensive businesses today As a result mistakes situations can be expensive in addition to injury and loss of life To prevent undesirable situations Oilfield Survival Guide was created based on over 1 000 oil gas situations The ultimate guide for all oil and gas situations Tactics Procedures Fatalities Short Stories Train Wrecks Disaster Avoidance Court Cases Life Savings Skills Checklists Troubleshooting Problem Job Prevention Oilfield Survival Guide is the ultimate oil industry resource to help manage oilfield risk and avoid mistakes by increasing your oil and gas knowledge and

intelligence utilizing a variety of methods including Tactics Short and to the point guidelines to reduce risk and instill work principles to be successful in the oil industry from the field to the office Short Stories Experience from the mistakes of others Fatalities Detailed analysis of oil and gas tragedies Court Cases Jury trials expert witness testimony and legal opinions on a variety of oil and gas cases Procedures Step by step process to create oilfield procedures and checklists along with multiple examples Operations Analysis Oil and gas operations post mortem highlighting key learnings practical knowledge useful tips and best practices Over 1 000 oil and gas situations analyzed to create Oilfield Survival Guide *The Practical Handbook of Well Control* Rahman Ashena,2025-02-21 The Practical Handbook of Well Control teaches readers to safeguard well safety and integrity in drilling well engineering Offering an applied and scientific point of view it covers fundamental aspects of well control and includes practical procedures and well control methods for land and offshore operations It features a wealth of questions to commonly encountered problems and comprehensive answers at the end of each topical discussion to test reader comprehension Written in a concise accessible way by experienced oilfield and academic experts Covers all related technical subjects of well control Describes modern aspects of well control including automatic well control advances in outflow measurement artificial intelligence and IoT techniques for early kick detection mud gas separators and riser gas modeling Includes case studies to familiarize readers with real world problems and solutions Offers a full explanation of each problem to familiarize readers with commonly faced issues Features sample exercises with comprehensive answers useful for IWCF and IADC exams This handbook serves as a valuable reference and workbook for field drilling and workover engineers in the energy sector Policy-Driven Mobile Ad hoc Network Management Ritu Chadha,Latha Kant,2007-10-23 This book should be immensely interesting to those trying to decide what MANET research is worth undertaking and why J Christopher Ramming Program Manager Defense Advanced Research Projects Agency DARPA Strategic Technology Office A thorough comprehensive treatment of mobile ad hoc network management Mobile ad hoc networking is a hot topic gaining importance in both commercial and military arenas Now that the basics in the field have settled and standards are emerging the time is right for a book on management of these networks From two experts in the field Policy Driven Mobile Ad hoc Network Management provides comprehensive coverage of the management challenges associated with mobile ad hoc networks MANETs and includes an in depth discussion of how policy based network management can be used for increasing automation in the management of mobile ad hoc networks This book provides readers with a complete understanding of mobile ad hoc network management and many related topics including Network management requirements for MANETs with an emphasis on the differences between the management requirements for MANETs as compared to static wireline networks The use of policies for managing MANETs to increase automation and to tie together management components via policies Policy conflict detection and resolution Aspects of MANETs that need to be configured and reconfigured at all layers of the protocol stack Methodologies for providing survivability in the face of both hard and soft failures in MANETs The components

of a Quality of Service QoS management solution for MANETs based on the widely used Differentiated Services DiffServ paradigm Important open research issues in the area of MANET management Policy Driven Mobile Ad hoc Network Management is an ideal resource for professionals researchers and advanced graduate students in the field of IP network management who are interested in mobile ad hoc networks

Well Control for Completions and Interventions Howard Crumpton,2018-04-04 Well Control for Completions and Interventions explores the standards that ensure safe and efficient production flow well integrity and well control for oil rigs focusing on the post Macondo environment where tighter regulations and new standards are in place worldwide Too many training facilities currently focus only on the drilling side of the well s cycle when teaching well control hence the need for this informative guide on the topic This long awaited manual for engineers and managers involved in the well completion and intervention side of a well s life covers the fundamentals of design equipment and completion fluids In addition the book covers more important and distinguishing components such as well barriers and integrity envelopes well kill methods specific to well completion and other forms of operations that involve completion like pumping and stimulation including hydraulic fracturing and shale coiled tubing wireline and subsea intervention Provides a training guide focused on well completion and intervention Includes coverage of subsea and fracturing operations Presents proper well kill procedures Allows readers to quickly get up to speed on today s regulations post Macondo for well integrity barrier management and other critical operation components

Proceedings of the International Field Exploration and Development Conference 2023 Jia'en Lin,2024-03-11 This book focuses on reservoir surveillance and management reservoir evaluation and dynamic description reservoir production stimulation and EOR ultra tight reservoir unconventional oil and gas resources technology oil and gas well production testing and geomechanics This book is a compilation of selected papers from the 13th International Field Exploration and Development Conference IFEDC 2023 The conference not only provides a platform to exchanges experience but also promotes the development of scientific research in oil gas exploration and production The main audience for the work includes reservoir engineer geological engineer enterprise managers senior engineers as well as students

Proceedings - Offshore Technology Conference ,1998 **Federal Register** ,1999-07-08 **A Guide to Coalbed Methane Operations** Vicki A. Hollub,Paul S. Schafer,1992 The Oil and Gas Journal ,1930 **Petroleum Engineering Handbook** Howard B. Bradley,Fred W. Gipson,1987 **Proceedings ... SPE Annual Technical Conference and Exhibition** Society of Petroleum Engineers (U.S.). Technical Conference and Exhibition,1992 **The Standard and Poor's 500 Guide** Standard & Poor's,2005-12 Text and statistical data on 500 individual companies Drilling International ,1967 Petroleum Engineer International ,1982 **Petroleum Engineering Handbook** Larry W. Lake,2006 The Petroleum Engineering Handbook has long been recognized as a valuable comprehensive reference book that offers practical day to day applications for students and experienced engineering professionals alike The Petroleum Engineering Handbook is now a series of 7

volumes Volume IV Production Operations Engineering will bring readers up to date in the areas of design equipment selection and operation procedures for most oil and gas wells Chapters cover three main topic areas well completions problems caused by formation damage and artificial lift a major concern for production engineers **Training Manual** United States. Army. Signal Corps,1925

The Enigmatic Realm of **Wireline Operations Manual**: Unleashing the Language is Inner Magic

In a fast-paced digital era where connections and knowledge intertwine, the enigmatic realm of language reveals its inherent magic. Its capacity to stir emotions, ignite contemplation, and catalyze profound transformations is nothing short of extraordinary. Within the captivating pages of **Wireline Operations Manual** a literary masterpiece penned with a renowned author, readers attempt a transformative journey, unlocking the secrets and untapped potential embedded within each word. In this evaluation, we shall explore the book's core themes, assess its distinct writing style, and delve into its lasting impact on the hearts and minds of people who partake in its reading experience.

https://py.bijouxmedusa.com/results/book-search/fetch.php/46_2069_Affiliate_Marketing_Case_Study_For_Startups_46_1186_Affiliate.pdf

Table of Contents Wireline Operations Manual

1. Understanding the eBook Wireline Operations Manual
 - The Rise of Digital Reading Wireline Operations Manual
 - Advantages of eBooks Over Traditional Books
2. Identifying Wireline Operations Manual
 - Exploring Different Genres
 - Considering Fiction vs. Non-Fiction
 - Determining Your Reading Goals
3. Choosing the Right eBook Platform
 - Popular eBook Platforms
 - Features to Look for in an Wireline Operations Manual
 - User-Friendly Interface
4. Exploring eBook Recommendations from Wireline Operations Manual
 - Personalized Recommendations
 - Wireline Operations Manual User Reviews and Ratings

- Wireline Operations Manual and Bestseller Lists
- 5. Accessing Wireline Operations Manual Free and Paid eBooks
 - Wireline Operations Manual Public Domain eBooks
 - Wireline Operations Manual eBook Subscription Services
 - Wireline Operations Manual Budget-Friendly Options
- 6. Navigating Wireline Operations Manual eBook Formats
 - ePub, PDF, MOBI, and More
 - Wireline Operations Manual Compatibility with Devices
 - Wireline Operations Manual Enhanced eBook Features
- 7. Enhancing Your Reading Experience
 - Adjustable Fonts and Text Sizes of Wireline Operations Manual
 - Highlighting and Note-Taking Wireline Operations Manual
 - Interactive Elements Wireline Operations Manual
- 8. Staying Engaged with Wireline Operations Manual
 - Joining Online Reading Communities
 - Participating in Virtual Book Clubs
 - Following Authors and Publishers Wireline Operations Manual
- 9. Balancing eBooks and Physical Books Wireline Operations Manual
 - Benefits of a Digital Library
 - Creating a Diverse Reading Collection Wireline Operations Manual
- 10. Overcoming Reading Challenges
 - Dealing with Digital Eye Strain
 - Minimizing Distractions
 - Managing Screen Time
- 11. Cultivating a Reading Routine Wireline Operations Manual
 - Setting Reading Goals Wireline Operations Manual
 - Carving Out Dedicated Reading Time
- 12. Sourcing Reliable Information of Wireline Operations Manual
 - Fact-Checking eBook Content of Wireline Operations Manual
 - Distinguishing Credible Sources

13. Promoting Lifelong Learning
 - Utilizing eBooks for Skill Development
 - Exploring Educational eBooks
14. Embracing eBook Trends
 - Integration of Multimedia Elements
 - Interactive and Gamified eBooks

Wireline Operations Manual Introduction

In the digital age, access to information has become easier than ever before. The ability to download Wireline Operations Manual has revolutionized the way we consume written content. Whether you are a student looking for course material, an avid reader searching for your next favorite book, or a professional seeking research papers, the option to download Wireline Operations Manual has opened up a world of possibilities. Downloading Wireline Operations Manual provides numerous advantages over physical copies of books and documents. Firstly, it is incredibly convenient. Gone are the days of carrying around heavy textbooks or bulky folders filled with papers. With the click of a button, you can gain immediate access to valuable resources on any device. This convenience allows for efficient studying, researching, and reading on the go. Moreover, the cost-effective nature of downloading Wireline Operations Manual has democratized knowledge. Traditional books and academic journals can be expensive, making it difficult for individuals with limited financial resources to access information. By offering free PDF downloads, publishers and authors are enabling a wider audience to benefit from their work. This inclusivity promotes equal opportunities for learning and personal growth. There are numerous websites and platforms where individuals can download Wireline Operations Manual. These websites range from academic databases offering research papers and journals to online libraries with an expansive collection of books from various genres. Many authors and publishers also upload their work to specific websites, granting readers access to their content without any charge. These platforms not only provide access to existing literature but also serve as an excellent platform for undiscovered authors to share their work with the world. However, it is essential to be cautious while downloading Wireline Operations Manual. Some websites may offer pirated or illegally obtained copies of copyrighted material. Engaging in such activities not only violates copyright laws but also undermines the efforts of authors, publishers, and researchers. To ensure ethical downloading, it is advisable to utilize reputable websites that prioritize the legal distribution of content. When downloading Wireline Operations Manual, users should also consider the potential security risks associated with online platforms. Malicious actors may exploit vulnerabilities in unprotected websites to distribute malware or steal personal information. To protect themselves, individuals should ensure their devices have reliable antivirus software installed and

validate the legitimacy of the websites they are downloading from. In conclusion, the ability to download Wireline Operations Manual has transformed the way we access information. With the convenience, cost-effectiveness, and accessibility it offers, free PDF downloads have become a popular choice for students, researchers, and book lovers worldwide. However, it is crucial to engage in ethical downloading practices and prioritize personal security when utilizing online platforms. By doing so, individuals can make the most of the vast array of free PDF resources available and embark on a journey of continuous learning and intellectual growth.

FAQs About Wireline Operations Manual Books

What is a Wireline Operations Manual PDF? A PDF (Portable Document Format) is a file format developed by Adobe that preserves the layout and formatting of a document, regardless of the software, hardware, or operating system used to view or print it. **How do I create a Wireline Operations Manual PDF?** There are several ways to create a PDF: Use software like Adobe Acrobat, Microsoft Word, or Google Docs, which often have built-in PDF creation tools. Print to PDF: Many applications and operating systems have a "Print to PDF" option that allows you to save a document as a PDF file instead of printing it on paper. Online converters: There are various online tools that can convert different file types to PDF. **How do I edit a Wireline Operations Manual PDF?** Editing a PDF can be done with software like Adobe Acrobat, which allows direct editing of text, images, and other elements within the PDF. Some free tools, like PDFescape or Smallpdf, also offer basic editing capabilities. **How do I convert a Wireline Operations Manual PDF to another file format?** There are multiple ways to convert a PDF to another format: Use online converters like Smallpdf, Zamzar, or Adobe Acrobat's export feature to convert PDFs to formats like Word, Excel, JPEG, etc. Software like Adobe Acrobat, Microsoft Word, or other PDF editors may have options to export or save PDFs in different formats. **How do I password-protect a Wireline Operations Manual PDF?** Most PDF editing software allows you to add password protection. In Adobe Acrobat, for instance, you can go to "File" -> "Properties" -> "Security" to set a password to restrict access or editing capabilities. Are there any free alternatives to Adobe Acrobat for working with PDFs? Yes, there are many free alternatives for working with PDFs, such as: LibreOffice: Offers PDF editing features. PDFsam: Allows splitting, merging, and editing PDFs. Foxit Reader: Provides basic PDF viewing and editing capabilities. How do I compress a PDF file? You can use online tools like Smallpdf, iLovePDF, or desktop software like Adobe Acrobat to compress PDF files without significant quality loss. Compression reduces the file size, making it easier to share and download. Can I fill out forms in a PDF file? Yes, most PDF viewers/editors like Adobe Acrobat, Preview (on Mac), or various online tools allow you to fill out forms in PDF files by selecting text fields and entering information. Are there any restrictions when working with PDFs? Some PDFs might have restrictions set by their creator,

such as password protection, editing restrictions, or print restrictions. Breaking these restrictions might require specific software or tools, which may or may not be legal depending on the circumstances and local laws.

Find Wireline Operations Manual :

46-2069 affiliate marketing case study for startups 46-1186 affiliate
46-2279 personal finance roadmap USA 46-1118 personal finance roadmap
by step for startups 46-1690 cybersecurity strategies United States
business comparison USA 46-1212 online business comparison United States
for entrepreneurs 46-2653 smart home tech tools for small business
46-1379 coding for beginners roadmap for small business 46-2246 coding
entrepreneurs 46-2535 fitness routines examples for startups 46-503
income ideas tips America 46-1821 passive income ideas tips for
beginners United States 46-142 startup funding guide for small business
parenting tips step by step for startups 46-49 parenting tips strategies
America 46-2292 YouTube growth examples USA 46-947 YouTube growth
marketing examples for startups 46-2661 content marketing examples for
case study for small business 46-269 passive income ideas case study for
parenting tips step by step America 46-2056 parenting tips step by step
creators 46-1510 online business checklist for startups 46-709 online

Wireline Operations Manual :

harte kerle häkeln nicht audiobook by karin koenicke spotify - Dec 21 2022

web listen to harte kerle häkeln nicht on spotify karin koenicke audiobook 2021 173 songs

harte kerle häkeln nicht liebe im café woll lust band 1 amazon de - Jul 28 2023

web harte kerle häkeln nicht liebe im café woll lust band 1 koenicke karin isbn 9781077261419 kostenloser versand für alle bücher mit versand und verkauf duch amazon harte kerle häkeln nicht liebe im café woll lust band 1 koenicke karin amazon de bücher

harte kerle häkeln nicht karin koenicke - Jun 27 2023

web humorvoller liebesroman harte kerle häkeln nicht er hat knackige muskeln einen eisernen willen den schwarzen gürtel

und das letzte was er braucht sind seltsame gefühle für diese kunterbunte häkelfee

harte kerle häkeln nicht von karin koenicke ebook skoobe - Apr 13 2022

web harte kerle häkeln nicht buch jetzt bei skoobe ausleihen und unbegrenzt direkt auf smartphone tablet lesen

harte kerle häkeln nicht von karin koenicke ebook thalia - Mar 24 2023

web harte kerle backen nicht er liebt dröhnende motoren und hartes training doch nun soll er für eine süße konditorin eischnee schlagen harte kerle tanzen nicht er hat den härtesten job der welt doch ein sexy hüftschwung gehört nicht zu seinem programm harte kerle lügen nicht die halbe stadt holt sich bei ihm liebestipps

harte kerle häkeln nicht von karin koenicke ebooks orell füssli - Jun 15 2022

web harte kerle tanzen nicht er hat den härtesten job der welt doch ein sexy hüftschwung gehört nicht zu seinem programm

harte kerle lügen nicht die halbe stadt holt sich bei ihm liebestipps doch bei der frau für

harte kerle häkeln nicht on apple books - Feb 11 2022

web aug 31 2021 harte kerle häkeln nicht on apple books romance 2021

harte kerle häkeln nicht liebe im café woll lust google play - Jan 22 2023

web harte kerle häkeln nicht liebe im café woll lust audiobook written by karin koenicke narrated by désirée singson get instant access to all your favorite books no monthly commitment listen online or offline with android ios web chromecast and google assistant try google play audiobooks today

harte kerle häkeln nicht koenicke karin amazon com tr kitap - Aug 29 2023

web arama yapmak istediğiniz kategoriye seçin

harte kerle häkeln nicht ebook karin koenicke - Aug 17 2022

web harte kerle häkeln nicht er hat knackige muskeln einen eisernen willen den schwarzen gürtel und das letzte was er braucht sind seltsame gefühle harte kerle häkeln nicht ebook karin koenicke 9783754609569 boeken bol com

harte kerle häkeln nicht liebe im café woll lust german - Feb 23 2023

web jun 30 2019 harte kerle häkeln nicht liebe im café woll lust german edition koenicke karin on amazon com free shipping on qualifying offers harte kerle häkeln nicht liebe im café woll lust german edition

harte kerle häkeln nicht on apple books - Mar 12 2022

web aug 31 2021 er hat knackige muskeln einen eisernen willen den schwarzen gürtel und das letzte was er braucht sind seltsame gefühle für diese kunterbunte häkelfee ein brief vom notar ist die rettung für valerie gerade als sie ihren job verloren hat flattert ihr eine erbschaft ins haus sie b

kapitel 10 2 harte kerle häkeln nicht song and lyrics by karin - May 14 2022

web karin koenicke song 2021

[harte kerle häkeln nicht von karin koenicke hörbuch download](#) - Sep 18 2022

web karin koenicke harte kerle häkeln nicht valerie ist physiotherapeutin und im gegensatz zu ihrem chef nimmt sie sich zeit für ihre älteren patientinnen ihr größter traum mit ihrer besten freundin jasmin ein häkel cafe eröffnen

harte kerle häkeln nicht liebe im café woll lust 1 - Apr 25 2023

web hörbuch 0 00 gratis im audible probemonat er hat knackige muskeln einen eisernen willen den schwarzen gürtel und das letzte was er braucht sind seltsame gefühle für diese kunterbunte häkelfee ein brief vom notar ist die rettung für valerie

harte kerle häkeln nicht liebe im café woll lust 1 - May 26 2023

web harte kerle häkeln nicht liebe im café woll lust 1 ebook koenicke karin amazon de kindle shop kindle shop

harte kerle häkeln nicht karin koenicke qobuz - Jan 10 2022

web jul 15 2021 unbegrenzt harte kerle häkeln nicht von karin koenicke anhören oder in hi res qualität auf qobuz herunterladen abonnement ab 12 50 monat

harte kerle häkeln nicht by karin koenicke overdrive - Nov 20 2022

web jul 15 2021 dummerweise knistert es aber trotzdem gewaltig zwischen den beiden und das liegt nicht nur an gregs sexy körper gibt es zwischen bunten häkelnadeln und schwarzen gürteln auch noch einen roten faden für die liebe eine humorvolle liebesgeschichte mit herz leidenschaft und prickeln nicht nur für häkel fans und

[harte kerle häkeln nicht karin koenicke bol com](#) - Jul 16 2022

web harte kerle häkeln nicht er hat knackige muskeln einen eisernen willen den schwarzen gürtel und das letzte was er braucht sind seltsame gefühle harte kerle häkeln nicht karin koenicke 9783968160245 boeken bol com

kapitel 7 2 harte kerle häkeln nicht song and lyrics by karin - Oct 19 2022

web listen to kapitel 7 2 harte kerle häkeln nicht on spotify karin koenicke song 2021

igcse biology past papers questions by topic save my exams - Aug 02 2022

web revision notes topic questions past papers

1b igcse biology past papers - Jul 01 2022

web we would like to show you a description here but the site won t allow us

[edexcel igcse biology double science past papers](#) - May 31 2022

web past papers concise resources for the igcse edexcel biology double science course exam papers mark schemes new spec jan 2022 qp 1b

edexcel igcse biology past papers study mind - Apr 29 2022

web edexcel igcse biology past papers are previous exam papers that were used in the international general certificate of secondary education igcse biology exam by

past papers cambridge igcse biology 0610 gce guide - Sep 03 2022

web aug 13 2023 past papers cambridge igcse biology 0610 2022 gce guide past papers of cambridge igcse biology 0610 2022 cambridge o levels cambridge

cambridge igcse biology 0610 - Aug 14 2023

web cambridge igcse biology 0610 past papers examiner reports and specimen papers you can download one or more papers for a previous session please note that these

igcse past papers wilsonbiology com - May 11 2023

web past papers from 2005 2019 paper 1 4bi1 1b specimen 2017 ms paper 1 edexcel biology igcse specimen 2017 qp paper 1b edexcel biology igcse paper 2

edexcel igcse biology past papers 4bi1 studydex - Dec 26 2021

web the past papers for the current edexcel igcse biology syllabus can be found here all the available exam past papers are listed below as this is a relatively new syllabus the

cambridge igcse biology past question papers cie vedantu - Jan 27 2022

web sep 7 2023 download free pdf of cambridge igcse biology past question papers on vedantu com for your cambridge international examinations cie register for igcse

mark scheme results summer 2021 pearson qualifications - Oct 04 2022

web jun 4 2021 pearson edexcel international gcse in biology 4bi1 paper 1b and science double award 4sd0 paper 1b edexcel and btec qualifications edexcel and btec

edexcel paper 1 igcse biology past papers pmt physics - Jan 07 2023

web you can find all edexcel biology igcse 4bi0 4bi1 paper 1 past papers and mark schemes below new spec 4bi1 question papers january 2020 r qp january 2020

edexcel igcse biology ig exams - Mar 29 2022

web paper 1b session year questions papers mark scheme june 2011 here

edexcel igcse biology past papers tutorchase - Feb 08 2023

web prepare for your edexcel igcse biology exams with our collection of past papers and mark schemes download now and start practicing for success

mark scheme results january 2018 pearson qualifications - Feb 25 2022

web mar 8 2018 in biology 4bi0 paper 1b edexcel and btec qualifications edexcel and btec qualifications come from pearson the world s leading learning company we

mark scheme results january 2019 pearson qualifications - Mar 09 2023

web mar 7 2019 january 2019 pearson edexcel international gcse in biology 4bi0 paper 1b edexcel and btec qualifications edexcel and btec qualifications are awarded by

past papers past exam papers pearson qualifications - Jun 12 2023

web our easy to use past paper search gives you instant access to a large library of past exam papers and mark schemes they re available free to teachers and students although

edexcel igcse biology past papers save my exams - Jul 13 2023

web june 2022 paper 1b qp june 2022 paper 1b ms june 2022 paper 1br qp june 2022 paper 1br ms june 2022 paper 2b qp june 2022 paper 2b ms june 2022

edexcel igcse biology past papers 4bi0 studydex - Oct 24 2021

web the past papers for the old edexcel igcse biology syllabus can be found here all the available exam past papers are listed below you can download or view the igcse

pearson edexcel international gcse biology save my exams - Nov 05 2022

web paper reference biology unit 4bi0 science double award 4sc0 paper 1b tuesday 9 january 2018 afternoon time 2 hours you must have ruler calculator instructions

past papers cambridge igcse biology 0610 gce guide - Apr 10 2023

web aug 13 2023 cambridge igcse biology 0610 cambridge igcse biology 0610 past papers cambridge igcse biology 0610 question papers cambridge igcse

webb discovers methane carbon dioxide in atmosphere of k2 - Sep 22 2021

web sep 11 2023 a new investigation with nasa s james webb space telescope into k2 18 b an exoplanet 8 6 times as massive as earth has revealed the presence of carbon

past papers cambridge igcse biology 0610 gce guide - Dec 06 2022

web aug 13 2023 past papers cambridge igcse biology 0610 2014 gce guide past papers of cambridge igcse biology 0610 2014 cambridge o levels cambridge

updated igcse past year papers 2023 topical past - Aug 22 2021

web topical past papers biology updated igcse past year exam papers 2023 with marking scheme and specimen papers up to 2025 subject available english physics

biology ig exams - Nov 24 2021

web paper 1 paper 1 session year variant questions papers mark scheme model answer october november 2001 1 here here here may june 2002 1 here here here october

pakistan engineering council pec - Jan 28 2022

web pakistan engineering council pec is a statutory regulatory body established in 1976 under an act of parliament to regulate the engineering profession across the country and performing its functions as an autonomous body with the vision that the engineering profession shall function as a key driving force for achieving rapid and sustainable

[online courses cpd](#) - Jun 01 2022

web engineer s cpd profile online courses to provide opportunity to the engineers to attend from anywhere in the world using their video link computer laptop fitted video camera on the emerging topics where during lecture quiz practicing exercises or later assignment submission would be the ultimate mode of assessment

[curriculum for textile engineering pec org pk](#) - Dec 07 2022

web the pec engineering curriculum review and development committee ecrdc of chemical polymer textile and allied engineering disciplines took up the task to review and update the curriculum for textile engineering degree program

[bachelor of engineering program 2020 pec org pk](#) - Jun 13 2023

web curriculum of automotive engineering 8 21 mr hidayatullah kasi deputy director higher education commission islamabad rep hec 22 engr dr ashfaq ahmed sheikh additional registrar cpd paksitan engineering council islamabad secretary 23 engr muhammad kashif ali assistant registrar cpd paksitan engineering council islamabad ar cpd

[all curriculums pakistan engineering council pec](#) - Aug 15 2023

web all curriculums aerospace engineering agricultural engineering automotive engineering avionics engineering building architectural engineering computer engineering geoinformatics engineering geological engineering

curriculum for aerospace engineering pec org pk - Mar 10 2023

web aerospace engineering pakistan engineering council higher education commission islamabad curriculum of aerospace engineering bachelor of engineering program 2020 pakistan engineering council higher education commission islamabad curriculum of aerospace engineering ii contents preface

[curriculum for building architectural engineering](#) - Jul 14 2023

web the key driving lines for the development of engineering curriculum for each discipline will be the overall policy of pakistan engineering council in connection with international commitments washington accord ipea etc and government policies review of polices and stakeholders feedback relating sector relevant to the

[curricula of epe pakistan engineering council pec](#) - Dec 27 2021

web epe syllabus of electrical and allied disciplines sample mcqs of avionics engineering sample mcqs of biomedical engineering sample mcqs of computer engineering sample mcqs of electric power sample mcqs of electronic engineering sample mcqs of engineering sciences sample mcqs of industrial electronics

undergraduate program mechatronics control engineering - Mar 30 2022

web the curriculum for the bachelors degree includes courses in mathematics natural sciences and humanities which are followed by the courses in engineering foundation such as engineering graphics and drawing electric circuits engineering statics dynamics mechanics of materials fundamentals of thermal sciences electronic

pakistan engineering council regulating the engineering - Feb 26 2022

web notification on firms license extension it is to inform that all constructors operators and consulting engineering firms companies pakistani and foreign registered with pec having valid license upto june 30 2023 and extended up to august 31 2023 has been further extended up to september 30 2023 no further extension shall be granted

cpd - Jul 02 2022

web pakistan engineering council pec under pec act and cpd byelaws is earnestly working for the professional growth and skill enhancement of ever growing engineering community under cpd framework the engineers both pes and res are required to learn innovative and soft skills to be more effective in playing productive role towards nation

curriculum for computer engineering electrical engineering - Feb 09 2023

web computer engineering electrical engineering computer bachelor of engineering program 2020 pakistan engineering council higher education commission islamabad curriculum of computer engineering electrical engineering computer ii contents preface

bachelor of engineering program 2020 pec org pk - Apr 11 2023

web curriculum for agricultural engineering bachelor of engineering program 2020 pakistan engineering council higher education commission islamabad curriculum of agricultural engineering bachelor of engineering program 2020 pakistan engineering council higher education commission islamabad curriculum of

curriculum pec org pk - May 12 2023

web pakistan engineering council islamabad secretary 28 engr muhammad kashif ali assistant registrar cpd pakistan engineering council islamabad ar cpd 5 1 sub group software engineering 1 engr dr hammad afzal professor department of computer and software engineering military college of signals rawalpindi lead sub group 2

cpd - Aug 03 2022

web pakistan engineering council pec under pec act and cpd byelaws 2008 is earnestly working for the professional growth and skill enhancement of ever growing engineering community under cpd framework the engineers both pes and res are required to learn innovative and soft skills to be more effective in playing productive role towards nation

downloads pakistan engineering council pec - Sep 04 2022

web pec announces 22nd engineering practice examination epe for registered engineers re to elevate their title to professional engineer pe graduate engineers internship program downloads

bachelor of engineering program 2020 pec org pk - Oct 05 2022

web 2020 curriculum of transportation engineering bachelor of engineering program 2020 pakistan engineering council higher education commission islamabad curriculum of transportation engineering ii contents preface iii 1

pakistan engineering council just another wordpress site - Apr 30 2022

web engineering community in the country engineering capstone expo exe 2022 learn more ppdc is dedicated to promote growth of engineering industry for which first open house industrial project career fair along with media projection is planned in 2022 for all universities all over pakistan hattar industrial association hia

pakistan engineering council pec - Jan 08 2023

web b professional obligation of engineers c role of opportunity and conflicts d interpersonal relations suggested books book engineering ethics by charles b fleddermann 4th edition pearson prentice hall 2005 isbn 13 978 0132145213 book ethics in engineering by mike w martin and ronald

pakistan engineering council wikipedia - Nov 06 2022

web pakistan engineering council represents the engineering community in the country and assists the government of pakistan at the federal and provincial levels it also acts as a think tank to the government and undertakes efforts to establish scientific standards for engineering innovations and services