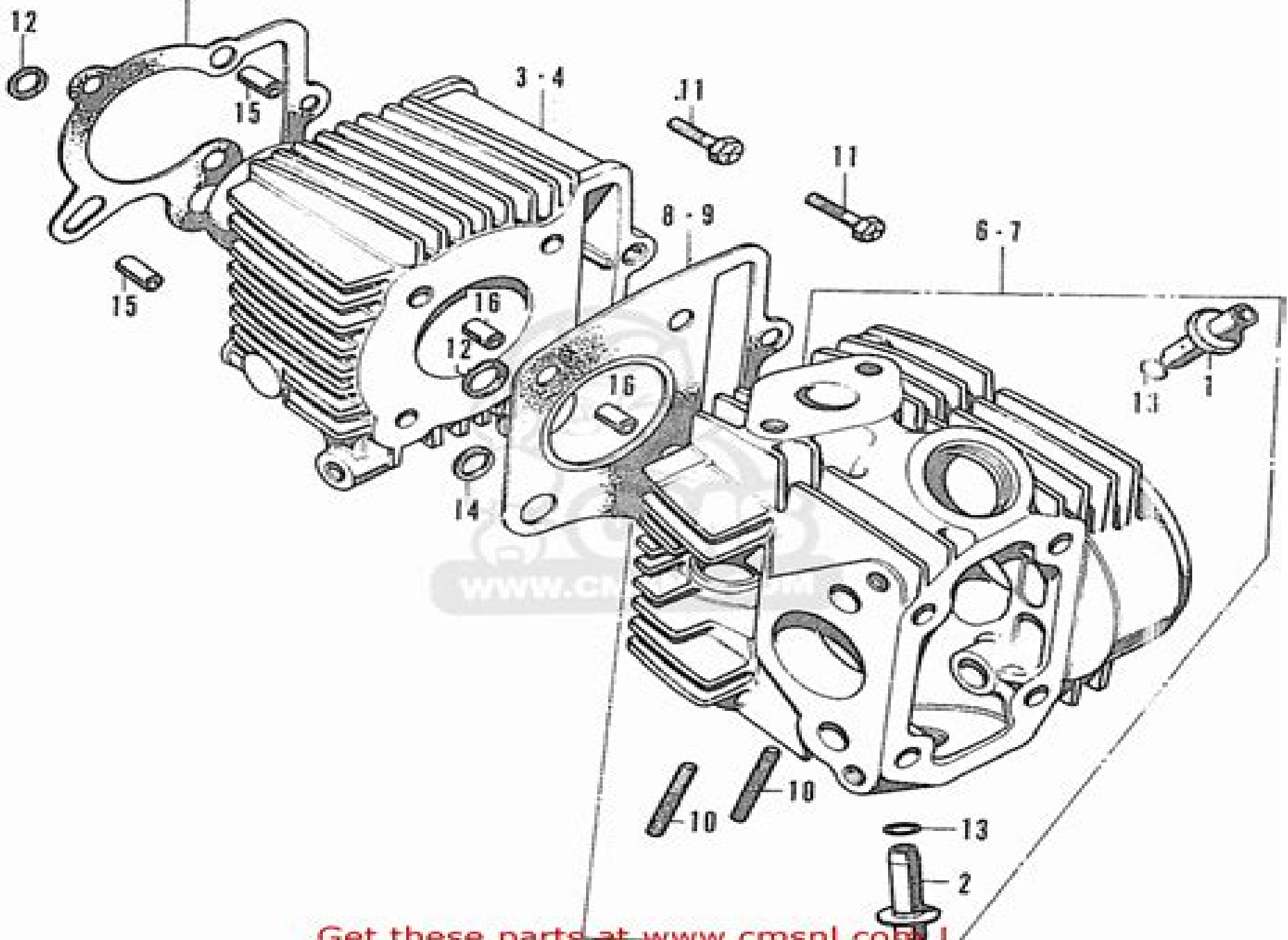


CYLINDER - CYLINDER HEAD



Get these parts at [www.cmsol.com](http://www.cmsol.com) !

# Xrm 110 Engine Manual

**Mike Stubblefield, John Harold Haynes**

## **Xrm 110 Engine Manual:**

**Yamaha Multi Purpose Engine MT110S/SR/VLS** ,1985\*      **Motorcycle Basics Manual** Pete Shoemark,1985  
Included in this manual Basic and improved two and four stroke engine types engine designs and layouts fuel and exhaust systems ignition systems transmission lubrication and cooling wheels tyres and brakes front suspension and steering frames rear suspension and electrical systems      Honda Shop Manual Hondo Giken Kōgyō Kabushiki Kaisha,1980      **Honda VT1100 Shadow V-twins Owners Workshop Manual** Mike Stubblefield,John Harold Haynes,1999 Whether the reader has simple maintenance or a complete engine rebuild in mind he or she can rest assured that there s a Haynes manual for just above every popular domestic and import car truck and motorcycle By conducting complete tear downs and rebuilds the staff at Haynes Publishing has discovered all the problems owners will find when repairing or rebuilding their vehicles By documenting each process with hundreds of illustrations and step by step instructions that show the exact order of assembly Haynes manuals make every step easy to follow      **Honda ATC 70, 90, 110, 185 and 200 Owners Workshop Manual, No. M565** John Haynes,1988-03-31 Haynes disassembles every subject vehicle and documents every step with thorough instructions and clear photos Haynes repair manuals are used by the pros but written for the do it yourselfer      **The Oil Engine Manual** P.P. - London. - Oil Engine,1950

## Decoding **Xrm 110 Engine Manual**: Revealing the Captivating Potential of Verbal Expression

In an era characterized by interconnectedness and an insatiable thirst for knowledge, the captivating potential of verbal expression has emerged as a formidable force. Its capability to evoke sentiments, stimulate introspection, and incite profound transformations is genuinely awe-inspiring. Within the pages of "**Xrm 110 Engine Manual**," a mesmerizing literary creation penned by way of a celebrated wordsmith, readers attempt an enlightening odyssey, unraveling the intricate significance of language and its enduring affect our lives. In this appraisal, we shall explore the book is central themes, evaluate its distinctive writing style, and gauge its pervasive influence on the hearts and minds of its readership.

[https://py.bijouxmedusa.com/About/Resources/Documents/Animacion\\_Sociocultural\\_Altamar\\_.pdf](https://py.bijouxmedusa.com/About/Resources/Documents/Animacion_Sociocultural_Altamar_.pdf)

### **Table of Contents Xrm 110 Engine Manual**

1. Understanding the eBook Xrm 110 Engine Manual
  - The Rise of Digital Reading Xrm 110 Engine Manual
  - Advantages of eBooks Over Traditional Books
2. Identifying Xrm 110 Engine Manual
  - Exploring Different Genres
  - Considering Fiction vs. Non-Fiction
  - Determining Your Reading Goals
3. Choosing the Right eBook Platform
  - Popular eBook Platforms
  - Features to Look for in an Xrm 110 Engine Manual
  - User-Friendly Interface
4. Exploring eBook Recommendations from Xrm 110 Engine Manual
  - Personalized Recommendations
  - Xrm 110 Engine Manual User Reviews and Ratings
  - Xrm 110 Engine Manual and Bestseller Lists

5. Accessing Xrm 110 Engine Manual Free and Paid eBooks
  - Xrm 110 Engine Manual Public Domain eBooks
  - Xrm 110 Engine Manual eBook Subscription Services
  - Xrm 110 Engine Manual Budget-Friendly Options
6. Navigating Xrm 110 Engine Manual eBook Formats
  - ePub, PDF, MOBI, and More
  - Xrm 110 Engine Manual Compatibility with Devices
  - Xrm 110 Engine Manual Enhanced eBook Features
7. Enhancing Your Reading Experience
  - Adjustable Fonts and Text Sizes of Xrm 110 Engine Manual
  - Highlighting and Note-Taking Xrm 110 Engine Manual
  - Interactive Elements Xrm 110 Engine Manual
8. Staying Engaged with Xrm 110 Engine Manual
  - Joining Online Reading Communities
  - Participating in Virtual Book Clubs
  - Following Authors and Publishers Xrm 110 Engine Manual
9. Balancing eBooks and Physical Books Xrm 110 Engine Manual
  - Benefits of a Digital Library
  - Creating a Diverse Reading Collection Xrm 110 Engine Manual
10. Overcoming Reading Challenges
  - Dealing with Digital Eye Strain
  - Minimizing Distractions
  - Managing Screen Time
11. Cultivating a Reading Routine Xrm 110 Engine Manual
  - Setting Reading Goals Xrm 110 Engine Manual
  - Carving Out Dedicated Reading Time
12. Sourcing Reliable Information of Xrm 110 Engine Manual
  - Fact-Checking eBook Content of Xrm 110 Engine Manual
  - Distinguishing Credible Sources
13. Promoting Lifelong Learning

- Utilizing eBooks for Skill Development
  - Exploring Educational eBooks
14. Embracing eBook Trends
- Integration of Multimedia Elements
  - Interactive and Gamified eBooks

### **Xrm 110 Engine Manual Introduction**

In the digital age, access to information has become easier than ever before. The ability to download Xrm 110 Engine Manual has revolutionized the way we consume written content. Whether you are a student looking for course material, an avid reader searching for your next favorite book, or a professional seeking research papers, the option to download Xrm 110 Engine Manual has opened up a world of possibilities. Downloading Xrm 110 Engine Manual provides numerous advantages over physical copies of books and documents. Firstly, it is incredibly convenient. Gone are the days of carrying around heavy textbooks or bulky folders filled with papers. With the click of a button, you can gain immediate access to valuable resources on any device. This convenience allows for efficient studying, researching, and reading on the go. Moreover, the cost-effective nature of downloading Xrm 110 Engine Manual has democratized knowledge. Traditional books and academic journals can be expensive, making it difficult for individuals with limited financial resources to access information. By offering free PDF downloads, publishers and authors are enabling a wider audience to benefit from their work. This inclusivity promotes equal opportunities for learning and personal growth. There are numerous websites and platforms where individuals can download Xrm 110 Engine Manual. These websites range from academic databases offering research papers and journals to online libraries with an expansive collection of books from various genres. Many authors and publishers also upload their work to specific websites, granting readers access to their content without any charge. These platforms not only provide access to existing literature but also serve as an excellent platform for undiscovered authors to share their work with the world. However, it is essential to be cautious while downloading Xrm 110 Engine Manual. Some websites may offer pirated or illegally obtained copies of copyrighted material. Engaging in such activities not only violates copyright laws but also undermines the efforts of authors, publishers, and researchers. To ensure ethical downloading, it is advisable to utilize reputable websites that prioritize the legal distribution of content. When downloading Xrm 110 Engine Manual, users should also consider the potential security risks associated with online platforms. Malicious actors may exploit vulnerabilities in unprotected websites to distribute malware or steal personal information. To protect themselves, individuals should ensure their devices have reliable antivirus software installed and validate the legitimacy of the websites they are downloading from. In conclusion, the ability to download Xrm 110 Engine Manual has transformed the way we

access information. With the convenience, cost-effectiveness, and accessibility it offers, free PDF downloads have become a popular choice for students, researchers, and book lovers worldwide. However, it is crucial to engage in ethical downloading practices and prioritize personal security when utilizing online platforms. By doing so, individuals can make the most of the vast array of free PDF resources available and embark on a journey of continuous learning and intellectual growth.

### **FAQs About Xrm 110 Engine Manual Books**

How do I know which eBook platform is the best for me? Finding the best eBook platform depends on your reading preferences and device compatibility. Research different platforms, read user reviews, and explore their features before making a choice. Are free eBooks of good quality? Yes, many reputable platforms offer high-quality free eBooks, including classics and public domain works. However, make sure to verify the source to ensure the eBook credibility. Can I read eBooks without an eReader? Absolutely! Most eBook platforms offer web-based readers or mobile apps that allow you to read eBooks on your computer, tablet, or smartphone. How do I avoid digital eye strain while reading eBooks? To prevent digital eye strain, take regular breaks, adjust the font size and background color, and ensure proper lighting while reading eBooks. What the advantage of interactive eBooks? Interactive eBooks incorporate multimedia elements, quizzes, and activities, enhancing the reader engagement and providing a more immersive learning experience. Xrm 110 Engine Manual is one of the best book in our library for free trial. We provide copy of Xrm 110 Engine Manual in digital format, so the resources that you find are reliable. There are also many Ebooks of related with Xrm 110 Engine Manual. Where to download Xrm 110 Engine Manual online for free? Are you looking for Xrm 110 Engine Manual PDF? This is definitely going to save you time and cash in something you should think about.

### **Find Xrm 110 Engine Manual :**

[animacion sociocultural altamar](#)

[an introduction to political philosophy](#)

**answers to experiment report sheet antacid analysis**

[anquawhite 100 curing agent specialty additives](#)

**answers lab manual computer forensics and investigations**

*animal behavior tenth edition john alcock*

[analysis of masonry wall using sap2000](#)

**ansys workbench 14 static structural tutorials**

angels and demons illustrated edition

an introduction to sociolinguistics janet holmes third edition

**an introduction to total productive maintenance tpm**

analysis of crop yield prediction using data mining techniques

anatomy and physiology practice test chapter 1

andrew forward shiitzu rescue

**anita cobby what happened**

**Xrm 110 Engine Manual :**

**bible dictionary nelson s pocket reference series amazon com** - May 16 2023

web jun 15 1999 a handy find it fast bible reference series ideal for all bible students a must for every bible owner easy to understand and illustrated throughout fast access to over 1 500 entries exclusive fan tab thumb index reference system extensive a to

**pocket bible dictionary nelson s pocket reference series** - Jan 12 2023

web pocket bible dictionary nelson s pocket reference series amazon co uk thomas nelson publishers 9781418500160 books skip to main content thomas nelson publishers 4 6 out of 5 stars publisher thomas nelson illustrated edition 1 jan 2005 language paperback isbn 10 141850016x

*pocket bible dictionary nelson s pocket reference series* - May 04 2022

web pocket bible dictionary nelson s pocket reference series thomas nelson 9781418500160 books amazon ca thomas nelson revised edition feb 27 2005 language isbn 10 141850016x isbn 13 978 1418500160 dimensions 8 89 x 1 78 x 13 34 cm best sellers rank 1 326 090 in books see top 100 in books

**pocket bible dictionary nelson s pocket reference series** - Mar 14 2023

web this pocket size bible dictionary is a handy find it fast bible reference tool ideal for all bible students and a must for every bible owner misunderstand a word and you may not grasp scripture s full meaning though compact in size this dictionary features 1 500 illustrated entries and a thumb index for quick acc

*pocket bible handbook nelson s pocket reference series christianbook com* - Mar 02 2022

web this convenient pocket reference book summarizes every book of the bible from genesis to revelation and also includes outlines charts and timelines comprehensive compact easy to use convenient pocket size format take it anywhere user friendly style simple easy to read format bible handbook includes outlines charts and timelines

**pocket bible dictionary nelson s pocket reference series** - Jul 06 2022

web a handy find it fast bible reference series ideal for all bible students a must for every bible owner easy to understand and illustrated throughout fast access to over 1 500 entries exclusive fan tab tm thumb index reference system

**bible dictionary nelson s pocket reference s paperback** - Feb 13 2023

web may 31 1999 buy bible dictionary nelson s pocket reference s by nelson isbn 9780785242413 from amazon s book store everyday low prices and free delivery on eligible orders

pocket bible concordance nelson s pocket reference series - Jun 17 2023

web feb 27 2005 pocket bible concordance nelson s pocket reference series thomas nelson 9781418500177 amazon com books books christian books bibles bible study reference enjoy fast free delivery exclusive deals and award winning movies tv shows with prime try prime and start saving today with fast free delivery buy

**pocket bible dictionary nelson s pocket reference series** - Nov 10 2022

web pocket bible concordance nelson s pocket reference series thomas nelson 2005 paperback 5 99

*pocket bible dictionary nelson s pocket reference series* - Aug 19 2023

web pocket bible dictionary nelson s pocket reference series thomas nelson publishers amazon com tr

pocket bible dictionary nelson s pocket reference series - Jun 05 2022

web this pocket size bible dictionary is a handy find it fast bible reference tool ideal for all bible students and a must for every bible owner misunderstand a word and you may not grasp scripture s full meaning though compact in size this dictionary features 1 500 illustrated entries and a thumb index for quick acc

**pocket bible dictionary nelson s pocket reference series** - Sep 20 2023

web feb 27 2005 pocket bible dictionary nelson s pocket reference series thomas nelson 9781418500160 amazon com books books christian books bibles bible study reference buy new 5 99 get fast free shipping with amazon prime free returns free delivery wednesday february 8 if you spend 25 on items shipped by

**amazon com customer reviews pocket bible dictionary nelson 39 s** - Oct 09 2022

web pocket bible dictionary nelson s pocket reference series bythomas nelson write a review how customer reviews and ratings work customer reviews including product star ratings help customers to learn more about the product and decide whether it is the right product for them

pocket bible dictionary nelson s pocket reference series - Jul 18 2023

web feb 27 2005 this pocket size bible dictionary is a handy find it fast bible reference tool ideal for all bible students and a must for every bible owner misunderstand a word and you may not grasp scripture s full meaning though compact in size this dictionary features 1 500 illustrated entries

*bible dictionary nelson s pocket reference series goodreads* - Apr 03 2022

web a handy find it fast bible reference series ideal for all bible students a must for every bible owner easy to understand and illustrated throughout fast access to over 1 500 entries exclusive fan tab tm thumb index reference system

**bible dictionary nelson s pocket reference series** - Dec 11 2022

web a handy find it fast bible reference series ideal for all bible students a must for every bible owner easy to understand and illustrated throughout fast access to over 1 500 entries exclusive fan tab thumb index reference system extensive a to z coverage

**pocket bible dictionary nelson s pocket reference series** - Aug 07 2022

web pocket bible dictionary a handy find it fast bible reference series ideal for all bible students a must for every bible owner easy to understand and illustrated throughout fast access to over 1 500 entries exclusive fan tab thumb index reference system extensive a to z coverage

[bible handbook nelson s pocket reference series amazon com](#) - Feb 01 2022

web jun 15 1999 paperback 384 pages isbn 10 0785242430 isbn 13 978 0785242437 item weight 6 4 ounces dimensions 3 75 x 0 75 x 5 5 inches best sellers rank 2 575 129 in books see top 100 in books 34 359 in christian bible study books customer reviews 7 ratings

*pocket bible handbook nelson s pocket reference series* - Apr 15 2023

web feb 27 2005 ultimate bible dictionary a quick and concise guide to the people places objects and events in the bible ultimate guide holman bible publishers 4 6 out of 5 stars 484

**pocket bible dictionary nelson s pocket reference series** - Sep 08 2022

web pocket bible dictionary nelson s pocket reference series thomas nelson amazon com au books books religion spirituality christian books bibles buy new 17 38 free delivery may 1 9 details select delivery location usually dispatched within 6 to 7 days quantity buy now payment secure transaction ships from

**microsoft word practice exercises beginning** - Jan 27 2022

web when you open a blank document in microsoft word 2016 you see a in this exercise you learn how to start word using windows 10 in windows 10 clicking igation pane as

*microsoft word 2013 advanced university of queensland* - May 11 2023

web get your microsoft word exercise files master microsoft word with our exclusive course exercise files these are the actual files from our paid for course but

**microsoft office 2010 advanced exercises mcgraw hill education** - Dec 06 2022

web advanced microsoft word 2010 day one 1 introduction 2 review basics and layout 3 indents and tabs 4 practice questions

day two 5 cover page 6 inserting images 7

*word practice exercises word 2007 practice exercises - May 31 2022*

web may 23 2017 microsoft word practice exercises for beginners 1 create and design admission enquiry forms etc to create this kind of form you need to use shapes text

word 2019 advanced tutorial youtube - Feb 08 2023

web microsoft office 2010 advanced exercises unit 1 advanced word 2010 business communication select the following link for additional lessons on advanced formatting

*microsoft word exercises advanced pdf prof - Sep 22 2021*

*word for windows training microsoft support - Mar 09 2023*

web aug 6 2021 word 2019 advanced tutorial get ad free training by becoming a member today learnittraining exercise files bit ly 3yeip2w who it s for microsoft word is for anyone

**microsoft word exercise stratford - Mar 29 2022**

web microsoft word practice exercises page 1 beginning microsoft word practice 1 rubric 0 3 5 8 10 less than 25 of items completed correctly more than 25 of items

**practice projects for microsoft word the dock for learning - Jun 12 2023**

web live preview will display a sample in document 3 click a style set microsoft word 2016 advanced outline view document views available in word 2013 include read

microsoft word practice exercises beginn studocu - Nov 24 2021

microsoft word advanced ferguson library - Jul 13 2023

web nov 15 2017 in this practice project for word students create a document with a header and two outlines students are asked to use the automatic numbering and outlining

*free microsoft office tutorials at gcfglobal - Aug 02 2022*

web getting started with word exercises document no is 046 v3 content task 1 task panes menus and toolbars task 2 typing practice task 3 moving around a

18 best basic microsoft word practice exercises for beginners - Oct 24 2021

**how to pass a microsoft word test free practice - Jan 07 2023**

web frequently bought together microsoft word word from beginner to advanced master the most popular word processing

tool microsoft word microsoft word 2010 word

*microsoft word assessment 2023 free practice test* - Jul 01 2022

web microsoft word exercise the object of this exercise is to familiarize you with some of the important commands associated with using microsoft word to produce academic

**intermediate advanced microsoft word test preparation** - Nov 05 2022

web microsoft office whether you re new to office or simply want to refresh your skills you re in the right place our lessons offer a mix of text video interactives and challenges to

*advanced microsoft word 2010 utica public library* - Sep 03 2022

web word 2007 practice exercises exercise 1 set up your page in this exercise we ll work on setting up the page see if you can do the following change the margins for this

**adv word 2019 exercise files simon sez it** - Apr 10 2023

web training watch and learn how to use word in windows explore microsoft word training guides articles and how to videos

**getting started with word exercises ucl** - Apr 29 2022

web step 1 open up a word processing response area in any blank workspace on the acca practice platform it should look like this picture 1 picture 2 step 2 type the following

**19 best basic microsoft word practice exercises for beginners** - Feb 25 2022

web aug 6 2023 microsoft word practice exercises for beginners 1 create and design admission enquiry forms etc 2 create bills leaflets brochures see the sample below

*microsoft word word from beginner to advanced udemy* - Oct 04 2022

web dec 27 2022 you ll get two detailed practice tests in addition to the free one that is already provided to you training for microsoft office and 169 more sample questions

**doc advanced microsoft word practice 1 academia edu** - Aug 14 2023

web sep 8 2020 open the msword advanced practice docx file you downloaded from the class webpage click on this link ms word advanced google docs exercise make

*step by step word processing exercises acca global* - Dec 26 2021

**trapped in a video game books in order the complete** - Mar 02 2022

web book 1 trapped in a video game 2018 book 2 trapped in a video game the invisible invasion 2018 book 3 trapped in a video game robots revolt 2018 book 4 trapped in a video game return to doom island 2019 book 5 trapped in a video game the final boss 2019 trapped in a video game books in order with

[trapped in a video game book 1 trapped in a video game](#) - Aug 19 2023

web trapped in a video game book 1 trapped in a video game brady dustin amazon com tr

**trapped in a video game volume 1 hardcover abebooks** - Jul 06 2022

web hardcover kids who love video games will love this first installment of the 5 book series about 12 year old jesse rigsby and the wild adventures he encounters while trapped inside different video games jesse rigsby hates video games and for good reason you see a video game character is trying to kill him

**trapped in a video game volume 1 paperback amazon co uk** - Nov 10 2022

web kids who love video games will love this new 5 book series about 12 year old jesse rigsby and the wild adventures he encounters getting sucked into different video games jesse rigsby doesn t even like video games yet here he is trapped in the video game full blast

**loading interface goodreads** - Sep 08 2022

web discover and share books you love on goodreads

**trapped in a video game amp kids** - Apr 03 2022

web apr 10 2018 audiobook jesse rigsby hates video games and for good reason you see a video game character is trying to kill him after getting sucked in the new game full blast with his friend eric jesse starts to see the appeal of vaporizing man size praying mantis while cruising around by jet pack

[trapped in a video game the complete series paperback](#) - Jun 05 2022

web sep 3 2019 book one trapped in a video game jesse hates video games and for good reason you see a video game character is trying to kill him after getting sucked into the new game full blast with his best friend eric jesse quickly discovers that he s being followed by a mysterious figure

*trapped in a video game the complete series apple books* - May 04 2022

web book one trapped in a video game jesse hates video games and for good reason you see a video game character is trying to kill him after getting sucked into the new game full blast with his best friend eric jesse quickly discovers that he s being followed by a mysterious figure if he doesn t figure out what s going on fast he ll be

*trapped in a video game book 1 epic* - Dec 11 2022

web trapped in a video game book 1 author dustin brady illustrator kirby heyborne start listening jesse rigsby hates video games and for good reason you see a video game character is trying to kill him after getting sucked in the new game full blast with his book info ages 8 10 read time ar level 4 3 lexile 640l similar books

**trapped in a video game volume 1 paperback** - Aug 07 2022

web jesse brady trapped in a video game volume 1 paperback illustrated 1 november 2018 by dustin brady author jesse brady

illustrator 4 7 13 043 ratings book 1 of 5 trapped in a video game 2 most gifted in thrillers suspense for children see all formats and editions kindle

**trapped in a video game volume 1 hardcover amazon com** - Feb 13 2023

web jul 10 2018 kids who love video games will love this first installment of the 5 book series about 12 year old jesse rigsby and the wild adventures he encounters inside different video games jesse rigsby hates video games and for good reason you see a video game character is trying to kill him

*trapped in a video game the complete series brady* - Mar 14 2023

web sep 3 2019 in this best selling series 12 year old jesse rigsby finds out just how dangerous video games and the people making those games can be book one trapped in a video game jesse hates video games and for good reason you see a video game character is trying to kill him

*trapped in a video game book 1 book by dustin brady epic* - Apr 15 2023

web trapped in a video game book 1 author dustin brady jesse rigsby hates video games and for good reason you see a video game character is trying to kill him after getting sucked in the new game full blast with his book info ages 8 10 read time 3 4 hours ar level 4 3 lexile 640l similar books fuzzy

book review trapped in a video game book one dawn com - Feb 01 2022

web dec 16 2017 both for those who like playing video games and those who don t trapped in a video game book one by dustin brady is a good book to read while they are not playing a video game

**trapped in a video game volume 1 softcover abebooks** - Oct 09 2022

web kids who love video games will love this first installment of the new 5 book series about 12 year old jesse rigsby and his wild adventures inside different video games jesse rigsby hates video games and for good reason you see a

trapped in a video game book 1 brady dustin author free - Sep 20 2023

web apr 22 2022 book 1 by brady dustin author publication date 2016 topics video games juvenile fiction publisher cleveland ohio d brady collection inlibrary printdisabled internetarchivebooks contributor internet archive language english 121 pages 21 cm trapped jesse rigsby is trapped in the vido game full blast

trapped in a video game series by dustin brady goodreads - May 16 2023

web trapped in a video game book 1 by dustin brady 4 11 3 653 ratings 176 reviews published 2016 4 editions age 8 12 kids who love video games will love this f want to read rate it book 2 trapped in a video game the invisible invasion by dustin brady 4 48 976 ratings 47 reviews 3 editions

*all the trapped in a video game books in order toppsta* - Jan 12 2023

web kids who love video games will love this fifth and final installment of the 5 book series about 12 year old jesse rigsby

more 0 reviews review read reviews of all the trapped in a video game books and how to read trapped in a video game in order book 1 in the series is trapped in a video game book 1

**trapped in a video game trapped in a video game series** - Jul 18 2023

web 2018 book review in trapped in a video game by dustin brady jesse and eric get stuck in the video game full blast they shoot aliens cause a glitch in the game and discover a missing classmate trapped inside it is the first book in the trapped in a video game series plot summary twelve year old jesse rigsby isn t a big video game player

**trapped in a video game book 1 volume 1 ubuy turkey** - Jun 17 2023

web shop trapped in a video game book 1 volume 1 paperback april 10 2018 online at a best price in turkey get special offers deals discounts fast delivery options on international shipping with every purchase on ubuy turkey 1449494862