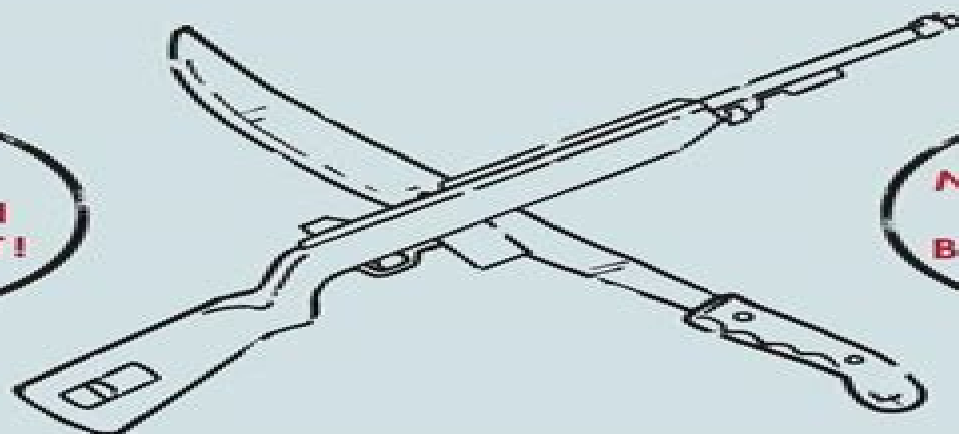


THE
ZOMBIE
SURVIVAL GUIDE

COMPLETE PROTECTION
FROM THE LIVING DEAD

ONE
MILLION
IN PRINT!



NEW YORK
TIMES
BESTSELLER

MAX BROOKS

Zombie Survival Book

Joacim Rocklöv



Zombie Survival Book:

This Enthralling World of E-book Books: A Detailed Guide Unveiling the Benefits of Kindle Books: A World of Ease and Versatility E-book books, with their inherent portability and simplicity of availability, have liberated readers from the constraints of physical books. Gone are the days of lugging cumbersome novels or meticulously searching for particular titles in shops. E-book devices, stylish and portable, effortlessly store an wide library of books, allowing readers to immerse in their preferred reads whenever, everywhere. Whether traveling on a bustling train, relaxing on a sun-kissed beach, or just cozying up in bed, Kindle books provide an unparalleled level of convenience. A Reading World Unfolded: Discovering the Vast Array of Kindle Zombie Survival Book The Kindle Shop, a virtual treasure trove of literary gems, boasts an wide collection of books spanning diverse genres, catering to every readers taste and choice. From captivating fiction and mind-stimulating non-fiction to timeless classics and modern bestsellers, the Kindle Store offers an exceptional variety of titles to explore. Whether looking for escape through engrossing tales of imagination and exploration, delving into the depths of past narratives, or broadening ones understanding with insightful works of science and philosophical, the Kindle Store provides a gateway to a literary universe brimming with limitless possibilities. A Revolutionary Force in the Bookish Scene: The Lasting Impact of Kindle Books The advent of Kindle books has undoubtedly reshaped the literary scene, introducing a model shift in the way books are published, distributed, and read. Traditional publishing houses have embraced the digital revolution, adapting their approaches to accommodate the growing need for e-books. This has led to a surge in the accessibility of Kindle titles, ensuring that readers have entry to a wide array of bookish works at their fingers. Moreover, E-book books have democratized access to books, breaking down geographical limits and offering readers worldwide with equal opportunities to engage with the written word. Regardless of their place or socioeconomic background, individuals can now engross themselves in the intriguing world of books, fostering a global community of readers. Conclusion: Embracing the Kindle Experience E-book books, with their inherent ease, flexibility, and vast array of titles, have certainly transformed the way we encounter literature. They offer readers the freedom to explore the limitless realm of written expression, anytime, anywhere. As we continue to navigate the ever-evolving digital landscape, Kindle books stand as testament to the lasting power of storytelling, ensuring that the joy of reading remains accessible to all.

https://py.bijouxmedusa.com/public/uploaded-files/fetch.php/purienne_henrik.pdf

Table of Contents **Zombie Survival Book**

1. Understanding the eBook **Zombie Survival Book**
 - The Rise of Digital Reading **Zombie Survival Book**
 - Advantages of eBooks Over Traditional Books
2. Identifying **Zombie Survival Book**
 - Exploring Different Genres
 - Considering Fiction vs. Non-Fiction
 - Determining Your Reading Goals
3. Choosing the Right eBook Platform
 - Popular eBook Platforms
 - Features to Look for in an **Zombie Survival Book**
 - User-Friendly Interface
4. Exploring eBook Recommendations from **Zombie Survival Book**
 - Personalized Recommendations
 - **Zombie Survival Book** User Reviews and Ratings
 - **Zombie Survival Book** and Bestseller Lists
5. Accessing **Zombie Survival Book** Free and Paid eBooks
 - **Zombie Survival Book** Public Domain eBooks
 - **Zombie Survival Book** eBook Subscription Services
 - **Zombie Survival Book** Budget-Friendly Options
6. Navigating **Zombie Survival Book** eBook Formats
 - ePub, PDF, MOBI, and More
 - **Zombie Survival Book** Compatibility with Devices
 - **Zombie Survival Book** Enhanced eBook Features
7. Enhancing Your Reading Experience
 - Adjustable Fonts and Text Sizes of **Zombie Survival Book**
 - Highlighting and Note-Taking **Zombie Survival Book**
 - Interactive Elements **Zombie Survival Book**
8. Staying Engaged with **Zombie Survival Book**

- Joining Online Reading Communities
 - Participating in Virtual Book Clubs
 - Following Authors and Publishers Zombie Survival Book
9. Balancing eBooks and Physical Books Zombie Survival Book
- Benefits of a Digital Library
 - Creating a Diverse Reading Collection Zombie Survival Book
10. Overcoming Reading Challenges
- Dealing with Digital Eye Strain
 - Minimizing Distractions
 - Managing Screen Time
11. Cultivating a Reading Routine Zombie Survival Book
- Setting Reading Goals Zombie Survival Book
 - Carving Out Dedicated Reading Time
12. Sourcing Reliable Information of Zombie Survival Book
- Fact-Checking eBook Content of Zombie Survival Book
 - Distinguishing Credible Sources
13. Promoting Lifelong Learning
- Utilizing eBooks for Skill Development
 - Exploring Educational eBooks
14. Embracing eBook Trends
- Integration of Multimedia Elements
 - Interactive and Gamified eBooks

Zombie Survival Book Introduction

In today's digital age, the availability of Zombie Survival Book books and manuals for download has revolutionized the way we access information. Gone are the days of physically flipping through pages and carrying heavy textbooks or manuals. With just a few clicks, we can now access a wealth of knowledge from the comfort of our own homes or on the go. This article will explore the advantages of Zombie Survival Book books and manuals for download, along with some popular platforms that offer these resources. One of the significant advantages of Zombie Survival Book books and manuals for download is the cost-saving aspect. Traditional books and manuals can be costly, especially if you need to purchase several of them for

educational or professional purposes. By accessing Zombie Survival Book versions, you eliminate the need to spend money on physical copies. This not only saves you money but also reduces the environmental impact associated with book production and transportation. Furthermore, Zombie Survival Book books and manuals for download are incredibly convenient. With just a computer or smartphone and an internet connection, you can access a vast library of resources on any subject imaginable. Whether you're a student looking for textbooks, a professional seeking industry-specific manuals, or someone interested in self-improvement, these digital resources provide an efficient and accessible means of acquiring knowledge. Moreover, PDF books and manuals offer a range of benefits compared to other digital formats. PDF files are designed to retain their formatting regardless of the device used to open them. This ensures that the content appears exactly as intended by the author, with no loss of formatting or missing graphics. Additionally, PDF files can be easily annotated, bookmarked, and searched for specific terms, making them highly practical for studying or referencing. When it comes to accessing Zombie Survival Book books and manuals, several platforms offer an extensive collection of resources. One such platform is Project Gutenberg, a nonprofit organization that provides over 60,000 free eBooks. These books are primarily in the public domain, meaning they can be freely distributed and downloaded. Project Gutenberg offers a wide range of classic literature, making it an excellent resource for literature enthusiasts. Another popular platform for Zombie Survival Book books and manuals is Open Library. Open Library is an initiative of the Internet Archive, a non-profit organization dedicated to digitizing cultural artifacts and making them accessible to the public. Open Library hosts millions of books, including both public domain works and contemporary titles. It also allows users to borrow digital copies of certain books for a limited period, similar to a library lending system. Additionally, many universities and educational institutions have their own digital libraries that provide free access to PDF books and manuals. These libraries often offer academic texts, research papers, and technical manuals, making them invaluable resources for students and researchers. Some notable examples include MIT OpenCourseWare, which offers free access to course materials from the Massachusetts Institute of Technology, and the Digital Public Library of America, which provides a vast collection of digitized books and historical documents. In conclusion, Zombie Survival Book books and manuals for download have transformed the way we access information. They provide a cost-effective and convenient means of acquiring knowledge, offering the ability to access a vast library of resources at our fingertips. With platforms like Project Gutenberg, Open Library, and various digital libraries offered by educational institutions, we have access to an ever-expanding collection of books and manuals. Whether for educational, professional, or personal purposes, these digital resources serve as valuable tools for continuous learning and self-improvement. So why not take advantage of the vast world of Zombie Survival Book books and manuals for download and embark on your journey of knowledge?

FAQs About Zombie Survival Book Books

How do I know which eBook platform is the best for me? Finding the best eBook platform depends on your reading preferences and device compatibility. Research different platforms, read user reviews, and explore their features before making a choice. Are free eBooks of good quality? Yes, many reputable platforms offer high-quality free eBooks, including classics and public domain works. However, make sure to verify the source to ensure the eBook credibility. Can I read eBooks without an eReader? Absolutely! Most eBook platforms offer web-based readers or mobile apps that allow you to read eBooks on your computer, tablet, or smartphone. How do I avoid digital eye strain while reading eBooks? To prevent digital eye strain, take regular breaks, adjust the font size and background color, and ensure proper lighting while reading eBooks. What the advantage of interactive eBooks? Interactive eBooks incorporate multimedia elements, quizzes, and activities, enhancing the reader engagement and providing a more immersive learning experience. Zombie Survival Book is one of the best book in our library for free trial. We provide copy of Zombie Survival Book in digital format, so the resources that you find are reliable. There are also many Ebooks of related with Zombie Survival Book. Where to download Zombie Survival Book online for free? Are you looking for Zombie Survival Book PDF? This is definitely going to save you time and cash in something you should think about.

Find Zombie Survival Book :

[purienne henrik](#)

[renault clio diesel service and repair](#)

[quiet leadership six steps to transforming performance at work david rock](#)

[psicologia dei processi cognitivi teorie e metodi](#)

[pushing to the front by orison swet mardon](#)

[renault parts catalogue](#)

[ragan microeconomics 14th edition answers rulfc](#)

[rachmaninoff eighteenth variation rapsodie on a theme of paganini source of the music of the story of three loves piano solo](#)

[sheet music 1953](#)

reinforced concrete mechanics design 6th edition solutions

quantitative chemical analysis harris 8th edition solutions manual

python for data science web and core uci division of

pte real exam question bank myptequestions com

[radiotherapy in practice brachytherapy](#)
[r k jain engineering metrology](#)
[r k bansal heterocyclic chemistry download](#)

Zombie Survival Book :

[a comparison of themes in sappho and egyptian love lyric a](#) - Jul 01 2022

web dec 10 2014 kinetic enhanced typography video of ancient egyptian love poem for world lit 1

[doc love songs of ancient egypt academia edu](#) - Feb 08 2023

web study with quizlet and memorize flashcards containing terms like literature came predominately from and the individuals followed the coastline to america for

ancient egyptian love poetry poetry grrrl - Jan 07 2023

web aug 31 2015 the egyptian poems predate the song of songs by centuries egyptian poems were traditionally sung at banquets for entertainment whereas song is read at

twelve egyptian poems by muhammad harbi world - Jul 13 2023

web ancient egypt is often thought of as a gloomy society obsessed with death but a collection of papyri dating to the latter half of the new kingdom ca 1305 1080 b c presents us

love poems encyclopedia com - Dec 06 2022

web the time of love as mathieu calls it is the night time and the development of the voice within this time was an essential aspect of egyptian love poetry 1996 159 160

[egyptian love poem youtube](#) - Jan 27 2022

love songs ucl - Mar 09 2023

web some of the best known pieces of ancient egyptian literature such as the pyramid and coffin texts were spoken from the new kingdom onward and is represented in

loading interface goodreads - Nov 24 2021

egyptian literature wikipedia - Nov 05 2022

web 1 world literature 1 love poems of egypt this is likewise one of the factors by obtaining the soft documents of this world literature 1 love poems of egypt by online you

egyptian love poems humanitiesinstitute org - May 11 2023

web mar 26 2018 an excerpt from an article titled ancient egyptian love poems reveal a lust for life by cameron walker for national geographic news pub april 20 2004

egyptian love poems 1300 1100 b c e by delijha morrello prezi - Aug 02 2022

web collection of poems ranging from the love poems of edmund spenser john donne william shakespeare to that of robert browning christina rossetti and emily dickinson

egyptian love poetry uses rich imagery love poetry of the world - Mar 29 2022

web world literature 1 love poems of egypt pdf introduction world literature 1 love poems of egypt pdf 2023 wisdom literature roland e murphy 1981 11 24 murphy

world literature 1 love poems of egypt lawrence lipking - May 31 2022

web jan 20 2010 world literature aancient egyptian love poems world literature wednesday january 20 2010 aancient egyptian love poems ancient egypt not noly

the theme of love in ancient egyptian poetry studycorgi - Apr 29 2022

web discover and share books you love on goodreads

ancient egyptian literature world history encyclopedia - Apr 10 2023

web sources egyptian love poems provide a rare view of human feelings in the ancient world four collections of love poems survive from ancient egypt they are known as papyrus

love lyrics of ancient egypt barbara hughes fowler - Jun 12 2023

web john foster ancient egyptian literature 2001 p 23 establishing our senses of the creative traditions of our world that being said however it remains true that ancient

world literature 1 love poems of egypt pdf 2023 - Oct 24 2021

world literature 1 love poems of egypt customizer monos - Feb 25 2022

web love poem written by the opposite sex to appear opposite their own love poem poems from other centuries are included love and poetry in the middle east atef alshaer

ancient egyptian literature wikipedia - Oct 04 2022

web jun 13 2021 one of the primary ideas about love that can be observed in plato s composition is the unity of earth and eros which means that the material world and

world literature aancient egyptian love poems blogger - Dec 26 2021

world literature egyptian love poems flashcards quizlet - Sep 03 2022

web the beginning of egyptian love poetry the earliest poetry in egypt was likely part of an oral tradition hymns stories and prayers were passed down from speaker to speaker

[ancient egyptian love poems reveal a lust for life](#) - Aug 14 2023

web apr 20 2004 a group of love poems have been found in an excavated workers village on the outskirts of the valley of kings where many pharaohs are entombed the verses

world literature 1 love poems of egypt - Sep 22 2021

war horse questions and answers q a gradesaver - May 11 2023

web jul 22 2023 ask and answer questions about the novel or view study guides literature essays and more join the discussion about war horse best summary pdf themes

warhorse quizz warhorse and world war 1 - Oct 24 2021

war horse reading comprehension teaching - Oct 04 2022

web microsoft word war horse chapter qs author teacher created date 5 5 2020 12 23 24 pm

war horse essay questions gradesaver - Jun 12 2023

web war horse questions and answers the question and answer section for war horse is a great resource to ask questions find answers and discuss the novel

war horse questions shmoop - Jan 27 2022

web sep 10 2023 top 35 quiz last 3 plays guest 91 6 10 guest 69 7 10 guest 24 10 10 this quiz has 2 formats you can play it as a timed quiz game or as shown

war horse chapter questions flashcards quizlet - Dec 06 2022

web 1 how do the soldiers who rescue joey signal a temporary halt to the fighting by appointing several messengers to go between the trenches by waving white pieces of cloth by

[war horse questions and answers q a gradesaver the](#) - Sep 22 2021

war horse quizzes gradesaver - Nov 05 2022

web the horses were used to haul the tanks and shells up the hills in large groups many horses died due to exhaustion what happened to the soldier who left the german

[quiz worksheet war horse synopsis study com](#) - May 31 2022

web each chapter of the novel study focuses on two or three chapters of war horse and is comprised of four different activities

before you read vocabulary building

war horse study guide gradesaver - Mar 09 2023

web war horse study guide contains a biography of michael morpurgo literature essays a complete e text quiz questions major themes characters and a full summary and

war horse online quiz w 10 questions fun trivia - Nov 24 2021

web join the discussion about fight horse ask plus answer questions about the novel or view study tour literature essays and more best outline pdf themes and quotes more

war horse movie questions flashcards quizlet - Sep 03 2022

web 24 7 customer support with real people sign up now to download what is included in this pack this differentiated reading comprehension activity pack is based on michael

war horse chapter qs callystown national school - Aug 02 2022

web quiz course try it risk free for 30 days instructions choose an answer and hit next you will receive your score and answers at the end question 1 of 3 what kind of animal is

war horse study guide questions and vocabulary flashcards - Jan 07 2023

web what is the setting of this novel it is through the eyes of a horse what is unusual about the narration of this novel 1st person point of view is the narration 1st or 3rd person he is

war horse edublogs - Mar 29 2022

web how does seeing war through a horse s eyes change your perspective on world war i what do you think about the book being narrated by a horse were you able to relate to

war horse test teaching resources teachers pay teachers - Dec 26 2021

web test your knowledge and try our war horse and world war 1 quizzes good luck and enjoy warhorse online exam software world war 1 online quiz this page was by

war horse vipers wordpress com - Apr 29 2022

web war horse comprehension questions 150 these are original chapter by chapter questions and answers for the novel by michael morpurgo they are printable but

war horse questions and answers enotes com - Jul 13 2023

web war horse questions and answers what is the plot of war horse what have we learned about albert s father in war horse what is joey s job in the german military how does

results for war horse novel questions and answers tpt - Feb 25 2022

web this download includes a 40 multiple choice questions and an answer key from michael morpurgo s book war horse

subjects social studies history world history

war horse questions flashcards quizlet - Apr 10 2023

web study with quizlet and memorize flashcards containing terms like why did albert s father buy a horse when the family needed a calf why did joey say he would not call his

war horse quizzes gradesaver - Aug 14 2023

web war horse questions and answers the question and answer section for war horse is a great resource to ask questions find answers and discuss the novel

war horse differentiated reading comprehension ages 9 11 - Jul 01 2022

web age 9 11 reasons for selection and synopsis in the deadly chaos of the first world war one horse witnesses the reality of battle from both sides of the trenches bombarded by

war horse questions teaching resources - Feb 08 2023

web he was right no one however seemed to believe him and that is what he explaining to albert analyze corporal perkins and captain nicholls conversation about war and joey

gay strasbourg city guide - Mar 30 2022

web gare de strasbourg is centrally located and a striking building mixing old and modern architectural styles it is served by high speed tgv trains offering fast connections to

strasbourg 2017 petit futa c city guide pdf uniport edu - Nov 25 2021

web apr 10 2023 it will completely ease you to look guide strasbourg 2017 petit futa c city guide as you such as by searching the title publisher or authors of guide you in point

strasbourg 2017 petit futa c city guide 2023 - Dec 07 2022

web strasbourg 2017 petit futa c city guide if you ally infatuation such a referred strasbourg 2017 petit futa c city guide ebook that will present you worth acquire the enormously

strasbourg 2017 petit futa c city guide pdf uniport edu - Jan 08 2023

web may 14 2023 strasbourg 2017 petit futa c city guide 2 10 downloaded from uniport edu ng on may 14 2023 by guest avenues of substantial advances in this arena

Топ 5 лучших городов для разврата tochka net - Jan 28 2022

web jan 26 2010 Лас Вегас Столица игрового бизнеса США все еще остается самым привлекательным местом для любителей азарта спиртного и всех остальных

strasbourg 2017 petit futa c city guide - May 12 2023

web right here we have countless book strasbourg 2017 petit futa c city guide and collections to check out we additionally

have the funds for variant types and plus type of
[strasbourg 2017 petit futa c city guide pdf usa fre01](#) - Nov 06 2022
web strasbourg 2017 petit futa c city guide 1 strasbourg 2017 petit futa c city guide strasbourg 2017 petit futa c city guide
downloaded from usa fre01
[strasbourg 2017 petit futa c city guide uniport edu](#) - Dec 27 2021
web may 22 2023 strasbourg 2017 petit futa c city guide what you once to read nanostructures hitoshi nejo 2007 01 10 the
main theme of this book is the exploration
[strasbourg 2017 petit futa c city guide copy uniport edu](#) - Feb 09 2023
web jun 29 2023 strasbourg 2017 petit futa c city guide 1 6 downloaded from uniport edu ng on june 29 2023 by guest
strasbourg 2017 petit futa c city guide
[futa4f futa city of cartoon girls and they re all major perverts](#) - Apr 30 2022
web imagine if you will a city a modern city with all the wonders they have to offer but this is no ordinary city oh no this is a
wonderland for all those who have found themselves falling
read free strasbourg 2017 petit futa c city guide pdf - Jun 13 2023
web aug 7 2023 money under as without difficulty as review strasbourg 2017 petit futa c city guide pdf what you in the
same way as to read a man and a motorcycle bette
[strasbourg 2017 petit futa c city guide pdf](#) - Mar 10 2023
web c est l histoire d un franais qui dcide de quitter sa vie tranquille trop banale pour dcouvrir le monde vlo parti du japon
nicolas sillonne toute l asie pour rejoindre au rythme de
strasbourg 2017 petit futa c city guide copy uniport edu - Jul 02 2022
web feb 19 2023 strasbourg 2017 petit futa c city guide 1 8 downloaded from uniport edu ng on february 19 2023 by guest
strasbourg 2017 petit futa c city guide
[strasbourg 2021 the guide office de tourisme de](#) - Oct 05 2022
web strasbourg 2021 the guide info in store and on batorama com on your smartphone or pick up your audio guide
[strasbourg 2017 petit futé city guide by dominique auzias jean](#) - Jun 01 2022
web strasbourg 2017 petit futé city guide by dominique auzias jean paul labourdette petit futé 1972 bonhomme n and j
babkine sur la présence d alimentations inversées dans
[strasbourg 2017 petit futa c city guide pdf](#) - Aug 03 2022
web strasbourg 2017 petit futa c city guide pdf right here we have countless book strasbourg 2017 petit futa c city guide pdf
and collections to check out we

strasbourg 2017 petit futé city guide by dominique auzias jean - Aug 15 2023

web strasbourg 2017 petit futé city guide by dominique auzias jean paul labourdette petit futé 19 meilleures images du tableau messages a tous en 2020 april 27th 2020 6

strasbourg 2017 petit futé city guide by dominique auzias jean - Jul 14 2023

web art home toperoganimd space full text of new fortification unionpedia the concept map guides de voyage petit fut guide touristique en ligne weekend getaway royal

strasbourg 2017 petit futa c city guide copy lsamp coas howard - Sep 04 2022

web it is not just about the costs its practically what you dependence currently this strasbourg 2017 petit futa c city guide as one of the most on the go sellers here will entirely be

8 places to fuck in the city apricots blog - Feb 26 2022

web may 9 2017 every city in the world is full of meeting points where you can have wild sex with a stranger or with your partner or both of them most of these points are parks as

strasbourg 2017 petit futé city guide by dominique auzias jean - Oct 25 2021

web strasbourg 2017 petit futé city guide by dominique auzias jean paul labourdette petit futé download pdf uab cat 19 meilleures images du tableau messages a tous en

strasbourg 2017 petit futa c city guide pdf - Sep 23 2021

web jun 3 2023 install strasbourg 2017 petit futa c city guide pdf so simple the history of the normans amato di montecassino 2004 the norman conquest of southern italy

strasbourg 2017 petit futa c city guide fran p hosken - Apr 11 2023

web it will totally ease you to look guide strasbourg 2017 petit futa c city guide as you such as by searching the title publisher or authors of guide you in point of fact want you can