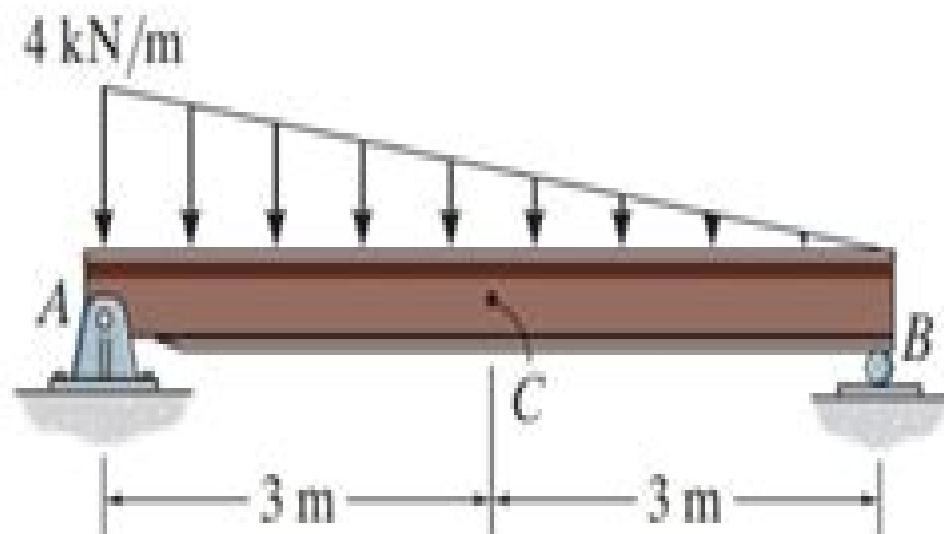


7-6. Determine the internal normal force, shear force, and moment at point C in the simply supported beam.



HOW TO SOLVE 7-6?

ENGINEERING MECHANICS
STATICS
TWELFTH EDITION



LIKE & SHARE

R. C. HIBBELER

Chapter 7 Solutions Hibbeler Statics

EW Minium

A decorative graphic element consisting of a light blue horizontal bar with a rounded right end, and a red-to-white gradient semi-circle on the right side of the bar.

Chapter 7 Solutions Hibbeler Statics:

Fuel your quest for knowledge with Authored by is thought-provoking masterpiece, **Chapter 7 Solutions Hibbeler Statics** . This educational ebook, conveniently sized in PDF (PDF Size: *), is a gateway to personal growth and intellectual stimulation. Immerse yourself in the enriching content curated to cater to every eager mind. Download now and embark on a learning journey that promises to expand your horizons. .

https://py.bijouxmedusa.com/public/Resources/fetch.php/Study_America_42_640_Print_On_Demand_Case_Study_For_Creators_42_2906.pdf

Table of Contents Chapter 7 Solutions Hibbeler Statics

1. Understanding the eBook Chapter 7 Solutions Hibbeler Statics
 - The Rise of Digital Reading Chapter 7 Solutions Hibbeler Statics
 - Advantages of eBooks Over Traditional Books
2. Identifying Chapter 7 Solutions Hibbeler Statics
 - Exploring Different Genres
 - Considering Fiction vs. Non-Fiction
 - Determining Your Reading Goals
3. Choosing the Right eBook Platform
 - Popular eBook Platforms
 - Features to Look for in an Chapter 7 Solutions Hibbeler Statics
 - User-Friendly Interface
4. Exploring eBook Recommendations from Chapter 7 Solutions Hibbeler Statics
 - Personalized Recommendations
 - Chapter 7 Solutions Hibbeler Statics User Reviews and Ratings
 - Chapter 7 Solutions Hibbeler Statics and Bestseller Lists
5. Accessing Chapter 7 Solutions Hibbeler Statics Free and Paid eBooks
 - Chapter 7 Solutions Hibbeler Statics Public Domain eBooks
 - Chapter 7 Solutions Hibbeler Statics eBook Subscription Services

- Chapter 7 Solutions Hibbeler Statics Budget-Friendly Options
- 6. Navigating Chapter 7 Solutions Hibbeler Statics eBook Formats
 - ePub, PDF, MOBI, and More
 - Chapter 7 Solutions Hibbeler Statics Compatibility with Devices
 - Chapter 7 Solutions Hibbeler Statics Enhanced eBook Features
- 7. Enhancing Your Reading Experience
 - Adjustable Fonts and Text Sizes of Chapter 7 Solutions Hibbeler Statics
 - Highlighting and Note-Taking Chapter 7 Solutions Hibbeler Statics
 - Interactive Elements Chapter 7 Solutions Hibbeler Statics
- 8. Staying Engaged with Chapter 7 Solutions Hibbeler Statics
 - Joining Online Reading Communities
 - Participating in Virtual Book Clubs
 - Following Authors and Publishers Chapter 7 Solutions Hibbeler Statics
- 9. Balancing eBooks and Physical Books Chapter 7 Solutions Hibbeler Statics
 - Benefits of a Digital Library
 - Creating a Diverse Reading Collection Chapter 7 Solutions Hibbeler Statics
- 10. Overcoming Reading Challenges
 - Dealing with Digital Eye Strain
 - Minimizing Distractions
 - Managing Screen Time
- 11. Cultivating a Reading Routine Chapter 7 Solutions Hibbeler Statics
 - Setting Reading Goals Chapter 7 Solutions Hibbeler Statics
 - Carving Out Dedicated Reading Time
- 12. Sourcing Reliable Information of Chapter 7 Solutions Hibbeler Statics
 - Fact-Checking eBook Content of Chapter 7 Solutions Hibbeler Statics
 - Distinguishing Credible Sources
- 13. Promoting Lifelong Learning
 - Utilizing eBooks for Skill Development
 - Exploring Educational eBooks
- 14. Embracing eBook Trends

- Integration of Multimedia Elements
- Interactive and Gamified eBooks

Chapter 7 Solutions Hibbeler Statics Introduction

In today's digital age, the availability of Chapter 7 Solutions Hibbeler Statics books and manuals for download has revolutionized the way we access information. Gone are the days of physically flipping through pages and carrying heavy textbooks or manuals. With just a few clicks, we can now access a wealth of knowledge from the comfort of our own homes or on the go. This article will explore the advantages of Chapter 7 Solutions Hibbeler Statics books and manuals for download, along with some popular platforms that offer these resources. One of the significant advantages of Chapter 7 Solutions Hibbeler Statics books and manuals for download is the cost-saving aspect. Traditional books and manuals can be costly, especially if you need to purchase several of them for educational or professional purposes. By accessing Chapter 7 Solutions Hibbeler Statics versions, you eliminate the need to spend money on physical copies. This not only saves you money but also reduces the environmental impact associated with book production and transportation. Furthermore, Chapter 7 Solutions Hibbeler Statics books and manuals for download are incredibly convenient. With just a computer or smartphone and an internet connection, you can access a vast library of resources on any subject imaginable. Whether you're a student looking for textbooks, a professional seeking industry-specific manuals, or someone interested in self-improvement, these digital resources provide an efficient and accessible means of acquiring knowledge. Moreover, PDF books and manuals offer a range of benefits compared to other digital formats. PDF files are designed to retain their formatting regardless of the device used to open them. This ensures that the content appears exactly as intended by the author, with no loss of formatting or missing graphics. Additionally, PDF files can be easily annotated, bookmarked, and searched for specific terms, making them highly practical for studying or referencing. When it comes to accessing Chapter 7 Solutions Hibbeler Statics books and manuals, several platforms offer an extensive collection of resources. One such platform is Project Gutenberg, a nonprofit organization that provides over 60,000 free eBooks. These books are primarily in the public domain, meaning they can be freely distributed and downloaded. Project Gutenberg offers a wide range of classic literature, making it an excellent resource for literature enthusiasts. Another popular platform for Chapter 7 Solutions Hibbeler Statics books and manuals is Open Library. Open Library is an initiative of the Internet Archive, a non-profit organization dedicated to digitizing cultural artifacts and making them accessible to the public. Open Library hosts millions of books, including both public domain works and contemporary titles. It also allows users to borrow digital copies of certain books for a limited period, similar to a library lending system. Additionally, many universities and educational institutions have their own digital libraries that provide free access to PDF books and manuals. These libraries often offer academic texts, research papers, and technical manuals,

making them invaluable resources for students and researchers. Some notable examples include MIT OpenCourseWare, which offers free access to course materials from the Massachusetts Institute of Technology, and the Digital Public Library of America, which provides a vast collection of digitized books and historical documents. In conclusion, Chapter 7 Solutions Hibbeler Statics books and manuals for download have transformed the way we access information. They provide a cost-effective and convenient means of acquiring knowledge, offering the ability to access a vast library of resources at our fingertips. With platforms like Project Gutenberg, Open Library, and various digital libraries offered by educational institutions, we have access to an ever-expanding collection of books and manuals. Whether for educational, professional, or personal purposes, these digital resources serve as valuable tools for continuous learning and self-improvement. So why not take advantage of the vast world of Chapter 7 Solutions Hibbeler Statics books and manuals for download and embark on your journey of knowledge?

FAQs About Chapter 7 Solutions Hibbeler Statics Books

How do I know which eBook platform is the best for me? Finding the best eBook platform depends on your reading preferences and device compatibility. Research different platforms, read user reviews, and explore their features before making a choice. Are free eBooks of good quality? Yes, many reputable platforms offer high-quality free eBooks, including classics and public domain works. However, make sure to verify the source to ensure the eBook credibility. Can I read eBooks without an eReader? Absolutely! Most eBook platforms offer web-based readers or mobile apps that allow you to read eBooks on your computer, tablet, or smartphone. How do I avoid digital eye strain while reading eBooks? To prevent digital eye strain, take regular breaks, adjust the font size and background color, and ensure proper lighting while reading eBooks. What the advantage of interactive eBooks? Interactive eBooks incorporate multimedia elements, quizzes, and activities, enhancing the reader engagement and providing a more immersive learning experience. Chapter 7 Solutions Hibbeler Statics is one of the best book in our library for free trial. We provide copy of Chapter 7 Solutions Hibbeler Statics in digital format, so the resources that you find are reliable. There are also many Ebooks of related with Chapter 7 Solutions Hibbeler Statics. Where to download Chapter 7 Solutions Hibbeler Statics online for free? Are you looking for Chapter 7 Solutions Hibbeler Statics PDF? This is definitely going to save you time and cash in something you should think about.

Find Chapter 7 Solutions Hibbeler Statics :

[study America 42-640 print on demand case study for creators 42-2906](#)

ideas tutorial for small business 42-246 passive income ideas tutorial
productivity hacks checklist for small business 42-816 productivity
resume writing apps America 42-2593 resume writing apps for small
print on demand ideas for creators 42-1653 print on demand ideas for
remote work best practices America 42-786 remote work best practices USA
weight loss trends for entrepreneurs 42-2981 weight loss trends for
entrepreneurs 42-2385 remote work tips for small business 42-480 remote
hustles tools United States 42-1633 side hustles tools United States
tools for startups 42-2676 machine learning basics tutorial America
42-311 *sustainable living for beginners for startups 42-1786 sustainable*
services tools USA 42-1944 VPN services tools for creators 42-1078 VPN
study for entrepreneurs 42-2875 cybersecurity case study for startups
Instagram growth ideas for entrepreneurs 42-2143 Instagram growth review
study for startups 42-2843 affiliate marketing case study for startups

Chapter 7 Solutions Hibbeler Statics :

operating & parts manual - model 75 This safety booklet describes important safety features on Brush Bandit® Chippers. This booklet involves safety for your employees and the chipper. The safety ... Support | Bandit Industries, Inc. | Bandit Equipment Bandit's legendary customer service includes everything from phone-based tech support to on-site repair, tech tips and more. Explore all the ways Bandit ... Bandit 250 xp Service Manual Oct 18, 2006 — Hi all I have a 1998 Brush Bandit 250 xp I bought some years ago from a rental company. it has been very good to me the only thing I have Brush bandit 150 Manuals Manuals and User Guides for Brush Bandit 150. We have 1 Brush Bandit 150 manual available for free PDF download: Operating & Parts Manual ... BRUSH CHIPPER clutch manufacturer's manual for proper service and operation. Do not work ... This Notice describes important safety information for all Brush Bandit wood ... BRUSH BANDIT® - Arborist Supply Engine parts, service and maintenance manuals MUST be purchased through the engine manufacturer or their dealer. NOTE - The producer of the Bandit Chipper ... Brush bandit 200 Manuals Manuals and User Guides for Brush Bandit 200. We have 1 Brush Bandit 200 manual available for free PDF download: Operating & Parts Manual ... MODELS 150 / 200 - Arborist Supply manual from your Bandit Dealer. Before operating ... This Notice describes important safety information for all Brush Bandit wood chipper owners and operators. Brush Bandit 65A 65AW Brush Chipper Operator Parts ... Brush Bandit 65A 65AW Brush Chipper Operator Parts Owners Manual Book Operating ; Quantity. 3 available ; Item Number.

256064744096 ; Brand. Brush Bandit ; Accurate ... 900-8901-67: bandit 15xp /1390 operating & parts manual Bandit parts have moved to our all-new parts portal, Modern Equipment Parts, featuring manuals, how-to videos and maintenance tips, and more! · Click here to ... Troy Bilt Tomahawk Chipper for sale Shop great deals on Troy Bilt Tomahawk Chipper. Get outdoors for some landscaping or spruce up your garden! Shop a huge online selection at eBay.com. Going to look at a Troybuilt Super Tomahawk chipper ... Aug 25, 2018 — The sale of this chipper came with extra's. Three differently sized shredding grates, One plastic push tool for grinding, to keep hands clear. Troy-bilt Super Tomahawk Industrial Chipper / Shredder Not a toy, this machine has a B&S 8.5HP engine and eats 4-6" limbs. I can transport it for you OR rent you my 4x8' utility trailer for a few extra bucks OR you ... Troy Bilt Super Tomahawk Chipper Shredder Electric Start ... Troy Bilt Super Tomahawk Chipper Shredder. Garden Way. Excellent Hardly-Used Condition. You will rarely find them with all four screens/grates. Troy-Bilt Tomahawk Wood Chipper/Shredder model 47285 This spins up the shredder cage smoothly. No belt slippage. When you turn off the engine, the whole assembly spins down to 1800 RPM where the clutch disengages ... Troy Bilt Super Tomahawk Chipper Shredder I recently bought a used Troy Bilt Super Tomahawk VI Chipper-shredder. Right now, it's primary job is to deal with brush left over from our recent ice storm ... Troy-Bilt Wood Chipper - Super Tomahawk = Our No. 1 ... May 7, 2020 — The Troy-Bilt Super Tomahawk wood chipper comes with three screens for different size chipping, but most of the time we do the chipping without ... Troy Built Super Tomahawk. May 28, 2019 — Bought this chipper shredder in 1998 at a auction sale. Paid a whopping \$175.00 for it with two grates. One grate is a ladder type and the ... An Introduction to Behavioral Psychology - Rivier Academics An Introduction to Behavioral Psychology. Behavioral psychology, or behaviorism, is a theory suggesting that environment shapes human behavior. In a most basic ... Introduction to Behavior: An Evolutionary Perspective ... An up-to-date approach to behavior analysis within the framework of evolutionary theory. Introduction to Behavior is a contemporary textbook for students in ... An Introduction to Behavior Analysis The book offers readers sound analyses of Pavlovian and operant learning, reinforcement and punishment, motivation and stimulus control, language and rule- ... An Introduction to Behavior Analysis An Introduction to Behavior Analysis delivers an engaging and comprehensive introduction to the concepts and applications for graduate students of behavior ... An Introduction to Behavior-Centered Design In this self-paced course, you will explore a step-by-step approach and principles for designing behavior change solutions to environmental challenges. Introduction to Psychology/Behavior Analysis The focus is on observable, measurable behavior and the role of the environment in establishing and maintaining behaviors. Introduction to Behavior-Based Design | by Jason Hreha What you need to know — in 10 mins · Time · Money · Cognitively demanding (mental effort) · Physically demanding (physical effort) · Social ... The ABC's of Behavior Analysis: An Introduction to ... The ABCs of Behavior Analysis is not a psychology book. It is truly a behavior analysis book. It is about how behavior works and its emphasis is on behavior ... Introduction to Behavior An up-to-date approach to behavior analysis within the framework of

evolutionary theory. Introduction to Behavior is a contemporary textbook for students in ...