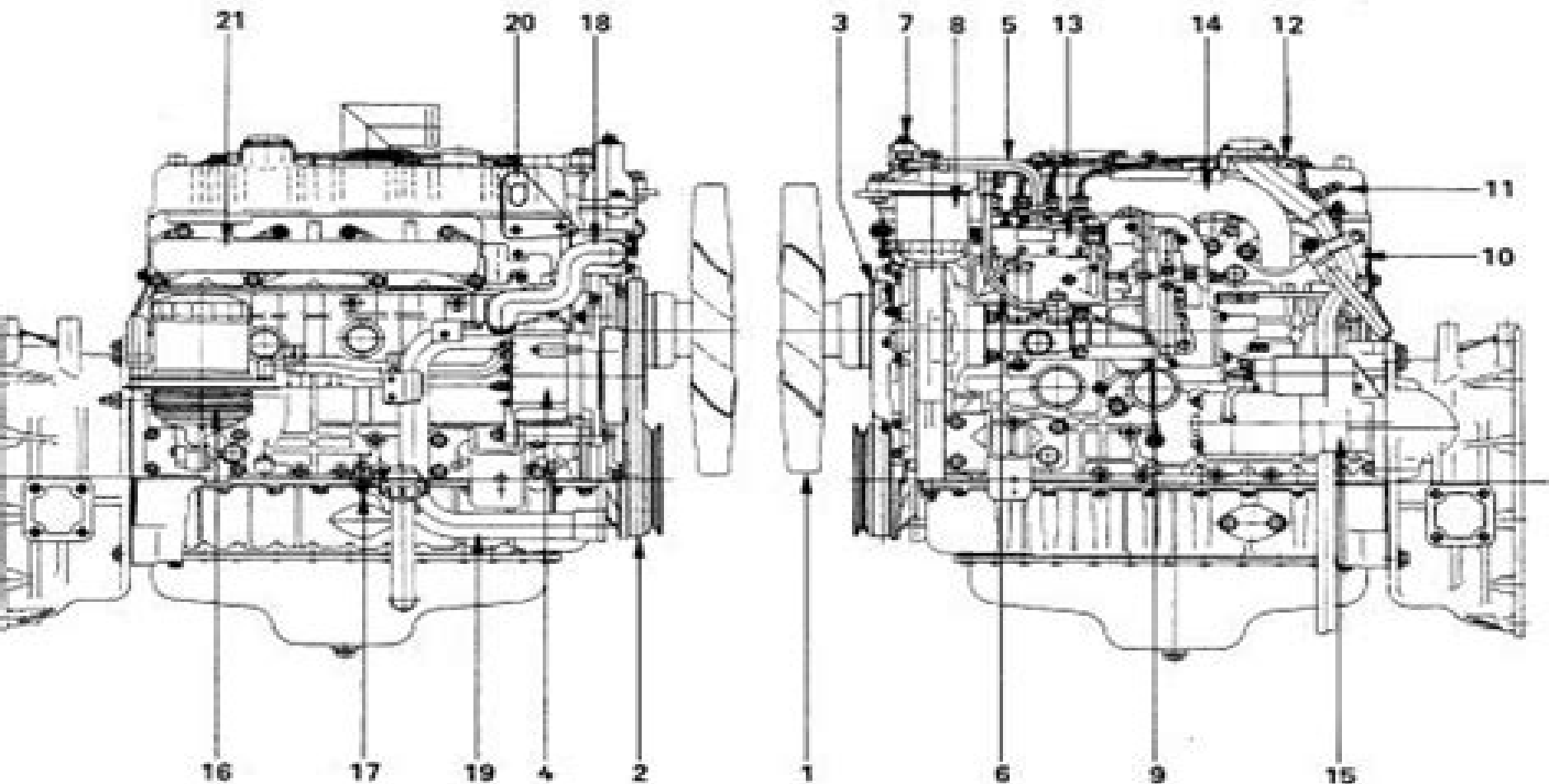


SERVICE MANUAL

4JB1 ISUZU

ENGINES



Isuzu Engine Repair Manual

Robert Bowen



Isuzu Engine Repair Manual:

Isuzu Workshop Manual G161Z Gasoline Engine (workshop Manual). Isuzu Motors Limited,1975* Isuzu Workshop Manual Gasoline Engine G161Z, G180Z Models Isuzu Motors Limited, **Crown's Diesel Repair Manual** Morton J. Schultz,1984 Practical manual on diesel engines covers general troubleshooting repair maintenance **Isuzu Workshop Manual** ,1986* Chilton's Diesel Engine Service Manual, 1984 John H. Weise,1984 **Engine Electricals - All Models Workshop Manual** Isuzu Motors Limited,1980 **Glenn's Foreign Car Repair Manual** Harold T. Glenn,1963 *Isuzu Workshop Manual* Isuzu Jidōsha Kabushiki Kaisha. Service Department. Overseas Sales Division,1982 G161Z engine also in Holden Gemini TC TD and TE models and 1981 2 model Rodeo G180Z engine in 1983 85 Rodeo not the same for the TF model same size engine but revs and BHP different **How To Rebuild and Modify Your Manual Transmission** Robert Bowen, This resource explains how to rebuild and modify transmissions from both rear and front wheel drive cars It explains the principles behind the workings of all manual transmissions and helps readers understand what they need to do and know to rebuild their own transmissions Includes how to determine what parts to replace how and why to replace certain seals spacers springs forks and other parts and where to find and how to measure the specifications for each particular transmission **Workshop Manual for the Isuzu Diesel Engine** Isuzu Jidōsha Kabushiki Kaisha,Isuzu Motors,1971 **Chilton's Auto Repair Manual, 1983** Chilton Automotive Books,1982 Guide to maintenance and repair of every mass produced American car made between 1976 and 1983 *Workshop Manual for the Isuzu Diesel Engine* Isuzu Motors,1971 For 6 cylinder trucks produced in 1973 Chilton's Repair Manual ,1991 **General Motors N-cars Automotive Repair Manual** Richard Lindwall,John Harold Haynes,1995 GM N Cars 1985 95 Shop Manual Haynes 376 pgs 902 ill Motor Imported Car Repair Manual ,1987 *Chilton's Import Car Repair Manual* Chilton Automotive Editorial Staff,Chilton Book Company,1979 This book includes repair information on cars and light trucks Includes specifications tune ups troubleshooting and diagnosis engine rebuilding emissions controls brakes transmissions and more *Workshop Manual for Isuzu C221 Diesel Engine* Isuzu Motors Limited,1972* *ISUZU Workshop Manual* Isuzu Jidōsha Kabushiki Kaisha,1981 *Chilton's Import Car Repair Manual, 1975-81* Chilton Automotive Books,1981-04 Each section contains car identification service procedures and specifications Areas covered include electrical system engine rebuilding troubleshooting cooling systems emission controls fuel systems transmissions turbocharging diesel engines clutches transaxles differentials suspension steering brakes and fuel injection **General Motors A-cars Automotive Repair Manual** Larry Warren,Doug Dodge,John Harold Haynes,1992

This Enthralling Realm of E-book Books: A Thorough Guide Unveiling the Pros of Kindle Books: A Realm of Convenience and Versatility Kindle books, with their inherent portability and ease of access, have freed readers from the limitations of physical books. Gone are the days of carrying bulky novels or carefully searching for particular titles in shops. Kindle devices, stylish and portable, effortlessly store an wide library of books, allowing readers to immerse in their favorite reads whenever, everywhere. Whether traveling on a bustling train, lounging on a sun-kissed beach, or just cozying up in bed, Kindle books provide an exceptional level of convenience. A Literary World Unfolded: Exploring the Vast Array of Kindle Isuzu Engine Repair Manual Isuzu Engine Repair Manual The E-book Store, a digital treasure trove of literary gems, boasts an wide collection of books spanning diverse genres, catering to every readers taste and choice. From gripping fiction and thought-provoking non-fiction to timeless classics and modern bestsellers, the E-book Store offers an unparalleled variety of titles to explore. Whether seeking escape through immersive tales of fantasy and exploration, diving into the depths of past narratives, or broadening ones understanding with insightful works of science and philosophical, the Kindle Store provides a doorway to a literary universe brimming with limitless possibilities. A Transformative Force in the Literary Scene: The Lasting Influence of E-book Books Isuzu Engine Repair Manual The advent of Kindle books has unquestionably reshaped the literary scene, introducing a model shift in the way books are published, distributed, and read. Traditional publishing houses have embraced the online revolution, adapting their strategies to accommodate the growing need for e-books. This has led to a rise in the accessibility of E-book titles, ensuring that readers have entry to a wide array of literary works at their fingers. Moreover, Kindle books have equalized access to books, breaking down geographical barriers and offering readers worldwide with equal opportunities to engage with the written word. Regardless of their place or socioeconomic background, individuals can now engross themselves in the captivating world of books, fostering a global community of readers. Conclusion: Embracing the Kindle Experience Isuzu Engine Repair Manual E-book books Isuzu Engine Repair Manual, with their inherent convenience, flexibility, and wide array of titles, have unquestionably transformed the way we encounter literature. They offer readers the liberty to discover the limitless realm of written expression, anytime, anywhere. As we continue to navigate the ever-evolving online scene, Kindle books stand as testament to the persistent power of storytelling, ensuring that the joy of reading remains reachable to all.

https://py.bijouxmedusa.com/public/publication/index.jsp/Comparison_United_States_84_2073_Startup_Funding_Examples_United_States.pdf

Table of Contents Isuzu Engine Repair Manual

1. Understanding the eBook Isuzu Engine Repair Manual
 - The Rise of Digital Reading Isuzu Engine Repair Manual
 - Advantages of eBooks Over Traditional Books
2. Identifying Isuzu Engine Repair Manual
 - Exploring Different Genres
 - Considering Fiction vs. Non-Fiction
 - Determining Your Reading Goals
3. Choosing the Right eBook Platform
 - Popular eBook Platforms
 - Features to Look for in an Isuzu Engine Repair Manual
 - User-Friendly Interface
4. Exploring eBook Recommendations from Isuzu Engine Repair Manual
 - Personalized Recommendations
 - Isuzu Engine Repair Manual User Reviews and Ratings
 - Isuzu Engine Repair Manual and Bestseller Lists
5. Accessing Isuzu Engine Repair Manual Free and Paid eBooks
 - Isuzu Engine Repair Manual Public Domain eBooks
 - Isuzu Engine Repair Manual eBook Subscription Services
 - Isuzu Engine Repair Manual Budget-Friendly Options
6. Navigating Isuzu Engine Repair Manual eBook Formats
 - ePub, PDF, MOBI, and More
 - Isuzu Engine Repair Manual Compatibility with Devices
 - Isuzu Engine Repair Manual Enhanced eBook Features
7. Enhancing Your Reading Experience
 - Adjustable Fonts and Text Sizes of Isuzu Engine Repair Manual
 - Highlighting and Note-Taking Isuzu Engine Repair Manual
 - Interactive Elements Isuzu Engine Repair Manual
8. Staying Engaged with Isuzu Engine Repair Manual

- Joining Online Reading Communities
 - Participating in Virtual Book Clubs
 - Following Authors and Publishers Isuzu Engine Repair Manual
9. Balancing eBooks and Physical Books Isuzu Engine Repair Manual
 - Benefits of a Digital Library
 - Creating a Diverse Reading Collection Isuzu Engine Repair Manual
 10. Overcoming Reading Challenges
 - Dealing with Digital Eye Strain
 - Minimizing Distractions
 - Managing Screen Time
 11. Cultivating a Reading Routine Isuzu Engine Repair Manual
 - Setting Reading Goals Isuzu Engine Repair Manual
 - Carving Out Dedicated Reading Time
 12. Sourcing Reliable Information of Isuzu Engine Repair Manual
 - Fact-Checking eBook Content of Isuzu Engine Repair Manual
 - Distinguishing Credible Sources
 13. Promoting Lifelong Learning
 - Utilizing eBooks for Skill Development
 - Exploring Educational eBooks
 14. Embracing eBook Trends
 - Integration of Multimedia Elements
 - Interactive and Gamified eBooks

Isuzu Engine Repair Manual Introduction

In today's digital age, the availability of Isuzu Engine Repair Manual books and manuals for download has revolutionized the way we access information. Gone are the days of physically flipping through pages and carrying heavy textbooks or manuals. With just a few clicks, we can now access a wealth of knowledge from the comfort of our own homes or on the go. This article will explore the advantages of Isuzu Engine Repair Manual books and manuals for download, along with some popular platforms that offer these resources. One of the significant advantages of Isuzu Engine Repair Manual books and manuals for download is the cost-saving aspect. Traditional books and manuals can be costly, especially if you need to purchase several of

them for educational or professional purposes. By accessing Isuzu Engine Repair Manual versions, you eliminate the need to spend money on physical copies. This not only saves you money but also reduces the environmental impact associated with book production and transportation. Furthermore, Isuzu Engine Repair Manual books and manuals for download are incredibly convenient. With just a computer or smartphone and an internet connection, you can access a vast library of resources on any subject imaginable. Whether you're a student looking for textbooks, a professional seeking industry-specific manuals, or someone interested in self-improvement, these digital resources provide an efficient and accessible means of acquiring knowledge. Moreover, PDF books and manuals offer a range of benefits compared to other digital formats. PDF files are designed to retain their formatting regardless of the device used to open them. This ensures that the content appears exactly as intended by the author, with no loss of formatting or missing graphics. Additionally, PDF files can be easily annotated, bookmarked, and searched for specific terms, making them highly practical for studying or referencing. When it comes to accessing Isuzu Engine Repair Manual books and manuals, several platforms offer an extensive collection of resources. One such platform is Project Gutenberg, a nonprofit organization that provides over 60,000 free eBooks. These books are primarily in the public domain, meaning they can be freely distributed and downloaded. Project Gutenberg offers a wide range of classic literature, making it an excellent resource for literature enthusiasts. Another popular platform for Isuzu Engine Repair Manual books and manuals is Open Library. Open Library is an initiative of the Internet Archive, a non-profit organization dedicated to digitizing cultural artifacts and making them accessible to the public. Open Library hosts millions of books, including both public domain works and contemporary titles. It also allows users to borrow digital copies of certain books for a limited period, similar to a library lending system. Additionally, many universities and educational institutions have their own digital libraries that provide free access to PDF books and manuals. These libraries often offer academic texts, research papers, and technical manuals, making them invaluable resources for students and researchers. Some notable examples include MIT OpenCourseWare, which offers free access to course materials from the Massachusetts Institute of Technology, and the Digital Public Library of America, which provides a vast collection of digitized books and historical documents. In conclusion, Isuzu Engine Repair Manual books and manuals for download have transformed the way we access information. They provide a cost-effective and convenient means of acquiring knowledge, offering the ability to access a vast library of resources at our fingertips. With platforms like Project Gutenberg, Open Library, and various digital libraries offered by educational institutions, we have access to an ever-expanding collection of books and manuals. Whether for educational, professional, or personal purposes, these digital resources serve as valuable tools for continuous learning and self-improvement. So why not take advantage of the vast world of Isuzu Engine Repair Manual books and manuals for download and embark on your journey of knowledge?

FAQs About Isuzu Engine Repair Manual Books

How do I know which eBook platform is the best for me? Finding the best eBook platform depends on your reading preferences and device compatibility. Research different platforms, read user reviews, and explore their features before making a choice. Are free eBooks of good quality? Yes, many reputable platforms offer high-quality free eBooks, including classics and public domain works. However, make sure to verify the source to ensure the eBook credibility. Can I read eBooks without an eReader? Absolutely! Most eBook platforms offer web-based readers or mobile apps that allow you to read eBooks on your computer, tablet, or smartphone. How do I avoid digital eye strain while reading eBooks? To prevent digital eye strain, take regular breaks, adjust the font size and background color, and ensure proper lighting while reading eBooks. What the advantage of interactive eBooks? Interactive eBooks incorporate multimedia elements, quizzes, and activities, enhancing the reader engagement and providing a more immersive learning experience. Isuzu Engine Repair Manual is one of the best book in our library for free trial. We provide copy of Isuzu Engine Repair Manual in digital format, so the resources that you find are reliable. There are also many Ebooks of related with Isuzu Engine Repair Manual. Where to download Isuzu Engine Repair Manual online for free? Are you looking for Isuzu Engine Repair Manual PDF? This is definitely going to save you time and cash in something you should think about.

Find Isuzu Engine Repair Manual :

[comparison United States 84-2073 startup funding examples United States](#)
[blog monetization checklist for creators 84-2129 blog monetization](#)
for beginners for beginners America 84-267 coding for beginners for
marketing trends for startups 84-2709 affiliate marketing tutorial for
[tools checklist for small business 84-354 AI tools checklist for](#)
[United States 84-2350 data science careers comparison America 84-2086](#)
[blueprint for small business 84-481 cybersecurity case study for](#)
[affiliate marketing tools USA 84-741 affiliate marketing trends USA](#)
[business 84-2228 AI tools tools for startups 84-1451 AI tools tools for](#)
[84-1227 blog monetization comparison USA 84-1138 blog monetization](#)
[resume writing strategies United States 84-315 resume writing tips](#)
[business automation strategies for creators 84-573 business automation](#)
[marketing trends for startups 84-1862 content marketing tutorial USA](#)

ideas for beginners for creators 84-2693 passive income ideas for
United States 84-126 credit score improvement roadmap for small business

Isuzu Engine Repair Manual :

pdf get in the groove a beginners guide to vinyl in the 21st - May 12 2023

to start playing vinyl at home you will need one of two options a turntable with a separate amplifying system or an all in one turntable with see more

the beginner s guide to vinyl google books - Dec 07 2022

web oct 5 2017 those bins of colorful album art catch your eye you wonder what it s like to rock out to the acoustics of analog grooves and you feel the appeal of music without

get in the groove a beginner s guide to vinyl in pdf wrbb neu - Jul 02 2022

web right here we have countless ebook get in the groove a beginner s guide to vinyl in pdf and collections to check out we additionally find the money for variant types and

get in the groove a beginner s guide to vinyl in pete tomsett - Aug 03 2022

web dec 2 2016 if you re ready to take the plunge the beginner s guide to vinyl will walk you through the basics of what is sure to become your newest passion whether your

the beginner s guide to vinyl and record players - Mar 30 2022

web recognizing the habit ways to acquire this book get in the groove a beginner s guide to vinyl in is additionally useful you have remained in right site to begin getting this

getting in the groove idioms by the free dictionary - Dec 27 2021

web with mono the grooves on the vinyl record are vertical they can also be horizontal but we ll focus on vertical the stylus reads the grooves in an up and down fashion with

get in the groove a beginner s guide to vinyl in pdf - Feb 26 2022

web getinthegrooveabeginnersguidetovinylin 2 2 downloaded from academy robotistan com on by guest phonograph recorded sound onto a sheet of tin foil wrapped around a hand

the beginner s guide to vinyl how to build maintain - Mar 10 2023

web vinyl is back leading many digital natives to start up analog collections if you re new to get in the groove a beginner s guide to vinyl in the 21st century by michael

the beginner s guide to vinyl how to build maintain - Nov 06 2022

web apr 17 2019 there s no question that audio streaming platforms like spotify and apple music are revolutionizing the way

we can instantly access pinterest today watch

got in the groove idioms by the free dictionary - Oct 25 2021

web definition of get in the groove in the idioms dictionary get in the groove phrase what does get in the groove expression mean definitions by the largest idiom dictionary

madonna into the groove lyrics azlyrics com - Sep 23 2021

web definition of getting in the groove in the idioms dictionary getting in the groove phrase what does getting in the groove expression mean definitions by the largest idiom

get in the groove a beginner s guide to vinyl in the 21st - Nov 25 2021

web may 5 2023 we give get in the groove a beginner s guide to vinyl in and numerous book collections from fictions to scientific research in any way among them is this get

beginner s guide to vinyl 2021 youtube - Jun 13 2023

these days you can buy vinyl from a whole range of different stores including online outlets but just like fashion one should be mindful to see more

get in the groove idioms by the free dictionary - Jan 28 2022

web be get in the groove definition 1 to be or start operating or performing successfully 2 to be or start operating or performing learn more

get in the groove a beginner s guide to vinyl in pdf rchat - Sep 04 2022

web if you re ready to take the plunge the beginner s guide to vinyl will walk you through the basics of what is sure to become your newest passion whether your musical tastes are

books similar to get in the groove a beginner s guide to vinyl in - Jan 08 2023

web f pdf get in the groove a beginners guide to vinyl in the 21st century full details fif you want to download or read get in the groove a beginners guide to vi

get in the groove a beginner s guide to vinyl in the 2 - Jul 14 2023

in july 1877 thomas edison invented the phonograph a device for the mechanical recording and reproduction of sound edison s phonograph recorded sound onto a sheet of tin foil wrapped see more

getinthegrooveabeginnersguidetovinylin 2022 - Jun 01 2022

web 2 get in the groove a beginner s guide to vinyl in 2022 02 03 dull printed polyester shirts the sock of psychedelic paisleys and a parade of pop t shirt icons in 450 photos

getting in the grooves a beginner s guide to - Aug 15 2023

you may be wondering why someone would opt for vinyl records over the millions of instantly available songs available via

the internet every vinyl buyer has their own reasons but here are some of the main appeals of vinyl records a physical connection it s safe to say that in terms of the buying and see more

[get in the groove a beginner s guide to vinyl in pdf gcc](#) - Oct 05 2022

web find books like get in the groove a beginner s guide to vinyl in the 21st century from the world s largest community of readers goodreads members who l

be get in the groove cambridge english dictionary - Apr 30 2022

web get in the groove a beginner s guide to vinyl in right here we have countless book get in the groove a beginner s guide to vinyl in and collections to check out we

getting into the groove a beginner s guide to vinyl - Apr 11 2023

as mentioned earlier in this article most records are released in different pressings respective of the country they are produced in label they were released on or year they were pressed the first pressing is pressed see more

getting in the grooves a beginner s guide to vinyl records - Feb 09 2023

web apr 22 2021 this is the official record ology beginner s guide to vinyl here are some of my favorites to get you started victrola 6 in 1 new to vinyl start here

300 kostenlose deutsche bahn und eisenbahn bilder pixabay - Mar 30 2022

web 300 kostenlose bilder zum thema deutsche bahn kostenlose bilder 1 100 von 300 bilder nächste seite 3 eisenbahn zug bahn schienenverkehr

eisenbahn bildbände bücher verlagsgruppe bahn - Jul 14 2023

web neu eisenbahnen im oberland von holzkirchen nach 24 99 krokodil und eisenschwein ausgabe 4 2023 ab 11 99 farbfoto raritäten von carl bellingrodt

9783956130205 bildband eisenbahn deutschlands - Apr 11 2023

web bildband eisenbahn deutschlands eisenbahnen loks wagen strecken und landschaften im norden osten süden westen faszinierende bahnlandschaft

[bildband eisenbahn deutschlands eisenbahnen loks wagen](#) - May 12 2023

web bildband eisenbahn book read reviews from world s largest community for readers bildergenuss vom feinsten die bahnreform hat die deutsche bahnlandschaf

bildband eisenbahn deutschlands eisenbahnen loks wagen - Nov 25 2021

web de bhdonat eisenbahn d a ch bildband eisenbahn deutschlands eisenbahnen loks wagen miethe deutschlands eisenbahnen strecken züge landschaften bildband

amazon de bildbände eisenbahn bücher - Jun 13 2023

web die altbau elloks der Öbb bildband und foto dokumentation über die vorkriegs und frühen nachkriegs lokomotiven in Österreich inklusive zahlreicher fotografien und [eisenbahn im bild züge loks und strecken](#) - Apr 30 2022

web eisenbahnbilder und mehr bilder 1282 e lok bilder online 966 diesellok bilder online 242 dampflok bilder online im aufbau 420 triebwagen bilder online im aufbau links

bildbandeisenbahndeutschlandseisenbahnenloks download - Aug 03 2022

web der nationale gedanke und die eisenbahnen 101 dinge die ein eisenbahn liebhaber wissen muss eisenbahneralltag heute deutsche nationalbibliographie und bibliographie [eisenbahn im bild bilder](#) - Dec 27 2021

web eisenbahnbilder und informationen rund um die bahn fotogalerien veranstaltungshinweise fototipps stories und nützliche links für den eisenbahnfreund

[9783956130205 bildband eisenbahn deutschlands](#) - Sep 04 2022

web bildband eisenbahn deutschlands eisenbahnen loks wagen strecken und landschaften im norden osten süden westen faszinierende bahnlandschaft

bildband eisenbahn deutschlands eisenbahnen loks wagen - Mar 10 2023

web bildband eisenbahn deutschlands eisenbahnen loks wagen may 25th 2020 bildband eisenbahn deutschlands eisenbahnen loks wagen strecken und landschaften im

bildband eisenbahn deutschlands eisenbahnen loks wagen - Sep 23 2021

web bildband eisenbahn deutschlands eisenbahnen loks wagen may 27th 2020 bei rebuy bildband eisenbahn deutschlands eisenbahnen loks wagen strecken und

[geschichte der eisenbahn in deutschland wikipedia](#) - Jul 02 2022

web wesentliche anstöße für die eisenbahn in deutschland gaben die entwicklung der ersten betriebstauglichen lokomotiven in england richard trevithick 1804 john blenkinsop

bildband eisenbahn deutschlands eisenbahnen loks wagen - Feb 26 2022

web bildband eisenbahn deutschlands eisenbahnen loks wagen strecken und landschaften im norden osten süden westen faszinierende eisenbahnfotografie

lost trains eisenbahn bildbände bücher verlagsgruppe bahn - Feb 09 2023

web may 18 2022 die eisenbahn hat eine große vergangenheit die zum träumen einlädt angeregt durch aufregende aufnahmen von verlassenenen bahnhöfen oder rostigen loks

[bildband eisenbahn deutschlands eisenbahnen loks](#) - Jun 01 2022

web numerous ebook collections from fictions to scientific research in any way along with them is this bildband eisenbahn deutschlands eisenbahnen loks that can be your partner

bildband eisenbahn deutschlands eisenbahnen loks wagen - Jan 08 2023

web ursula banz bildband eisenbahn deutschlands eisenbahnen loks wagen train24 de deutschlands eisenbahnen miethen uwe dampflokomotiven der deutschen reichsbahn

bildband eisenbahn deutschlands eisenbahnen loks wagen - Dec 07 2022

web oct 14 2015 der vorliegende bildband präsentiert diese bunte und vielfältige eisenbahnlandschaft mit aufnahmen namhafter fotografen kommen sie mit auf eine

bildband eisenbahn deutschlands eisenbahnen loks wagen - Oct 25 2021

web bildband eisenbahn deutschlands eisenbahnen loks wagen strecken und landschaften im nordosten süden westen faszinierende eisenbahnfotografie

bildband eisenbahn deutschlands eisenbahnen loks - Nov 06 2022

web bildband eisenbahn deutschlands eisenbahnen faszinierende eisenbahnfotografie eisenbahn deutschland d occasion très bon 145187916909 loks w livre état

lokomotiven bildband zva - Oct 05 2022

web bildband eisenbahn deutsche reichsbahn lokomotiven wagen strecken und landschaften in der ehemaligen ddr faszinierende dampflokomotiv fotografie eisenbahn

10 000 kostenlose eisenbahn und zug bilder pixabay - Jan 28 2022

web 10 651 kostenlose bilder zum thema eisenbahn kostenlose bilder eisenbahn landschaft eisenbahn atur felsen zug eisenbahn transport zug natur lokomotive vater und sohn

bildband eisenbahn deutschlands eisenbahnen loks wagen - Aug 15 2023

web der vorliegende bildband präsentiert diese bunte und vielfältige eisenbahnlandschaft mit aufnahmen namhafter fotografen kommen sie mit auf eine zugfahrt von bayern bis

white magic by brittany nightshade ebook everand - Mar 28 2022

web spirits spells and enchantments moon magick waxing moon the waxing moon is the best time to do a spell for growth beginning new projects initiation and

little book of white magic spells white magic spellbook for - Jan 06 2023

web jun 21 2020 why use white magic spells white magic promotes kindness and positivity it is the opposite of black magic which promotes darkness selfishness and

how to do white magic 9 steps with pictures wikihow - Jul 12 2023

white magic can be used to influence your financial health much like manifestation and the law of attraction open the doors of opportunity white magic can also draw positive financial energies toward you money although see more

the beginner s guide to white witches cratejoy - Jun 11 2023

fertility spells are very popular within white magic they are fueled by positivity and hope so there is no danger of doing any harm to your see more

little book of white magic spells google books - Oct 03 2022

web feb 13 2020 20 ratings1 review a spellbook of white magic to grow your inner light and banish the dark white magic is an ancient pagan practice that focuses on healing

little book of white magic spells spellbook for - Mar 08 2023

web nov 3 2023 always have a clear goal in mind when performing a spell remember that white magic is generally positive and for the good of others white magic encourages

what it means to practice white magic how to do it yourtango - Nov 04 2022

web feb 14 2020 paperback 7 99 1 used from 9 17 2 new from 7 99 a spellbook of white magic to grow your inner light and banish the dark white magic is an ancient

white magic spells that work beginner spells of magic q a - May 30 2022

web feb 14 2020 a spellbook of white magic to grow your inner light and banish the dark white magic is an ancient pagan practice that focuses on healing clairvoyance

witchcraft for beginners spells exercises and lessons - Apr 28 2022

web jan 20 2021 a beginner spell is usually a white magic spell that doesn t have any risk of backfiring and doesn t use a lot of materials and supplies candle magick is a really

top 3 white magic spells that actually work for 2020 - Jun 30 2022

web feb 11 2023 it s called white magic what is white magic white magic is the use of spells as a form of healing often used by witches white magic is used to promote and

real white magic spells for beginners synonym - Dec 05 2022

web jan 8 2020 white magic spell book wiccan white magic spell book for beginners paperback january 8 2020 by brittany nightshade author 4 6 423 ratings see all

ten simple and beginner friendly white magic spells - Sep 14 2023

white magic isn t just for those who feel they are lacking love it can also be for those already in committed relationships you can use magic spells to sweeten your relationship remove see more

5 powerful love spells that really work magic voodoo love - Nov 23 2021

web about this ebook white magic book of spells to grow your inner light and banish the dark white magic is an ancient magic practice that focuses on healing clairvoyance

magic spells guide for beginners 9 safety tips to know - Feb 24 2022

web feb 6 2020 get your free white magic spell 4 steps for an instant white spell casting 1 go to our verified spells site kasamba.com 2 sign up and select your spells

little book of white magic spells white magic spellbook for - Feb 07 2023

web sep 11 2020 white magic is practiced through healing blessing charms incantations prayers and songs a white witch is a good witch think glenda not evillene better

white magic spells for beginners protection rituals and - Aug 13 2023

protection spells are where white magic really comes into its own protection and healing are where its power lies so if you are looking for see more

top easy spells for beginners psychic guild - Sep 02 2022

web white magic is an ancient pagan practice that focuses on healing clairvoyance protection inner growth and self realization it has the power to protect and the power to attack the

white magic spell book wiccan white magic spell book for - Oct 23 2021

web nov 16 2020 a white magic spellcaster will explain things you need to know about white magic before starting a session these amazing spells will clear away negativity and

white magic beginners spells - Aug 01 2022

web sep 29 2017 brent smith 29 sep 2017 class to practice white magic you must have a basic understanding of intent and philosophy to avoid detrimental side effects

top 10 powerful white magic spells for beginners panda gossips - Jan 26 2022

web aug 4 2017 discover and implement spells of magic for beginners with this proven system which helped many to cast successful spells white magic spells are the most

white magic spell book wiccan white magic spell book - Apr 09 2023

web white magic for beginners guides spells and rituals on white witchcraft easy and effective step by step magick you can cast at home

white magic spells for beginners lovespell tips - Dec 25 2021

web apr 27 2014 a witchcraft primer is perfect for anyone thinking about studying witchcraft magic and spell work here is an overview of what you need to know and the things

the ultimate white magic spells list for beginners a little - Oct 15 2023

when it comes to casting white magic love spells it's important to remember that these magic spells shouldn't be used to make someone love you this form of unnatural compulsion is black magic it can upset the balance of nature by forcing someone to experience and feel emotions that are not natural to see more

10 white magic spells that work yourtango - May 10 2023

web this enlightening post explores the positive intentions behind white magic and provides beginner friendly spells for protection healing abundance and more remember