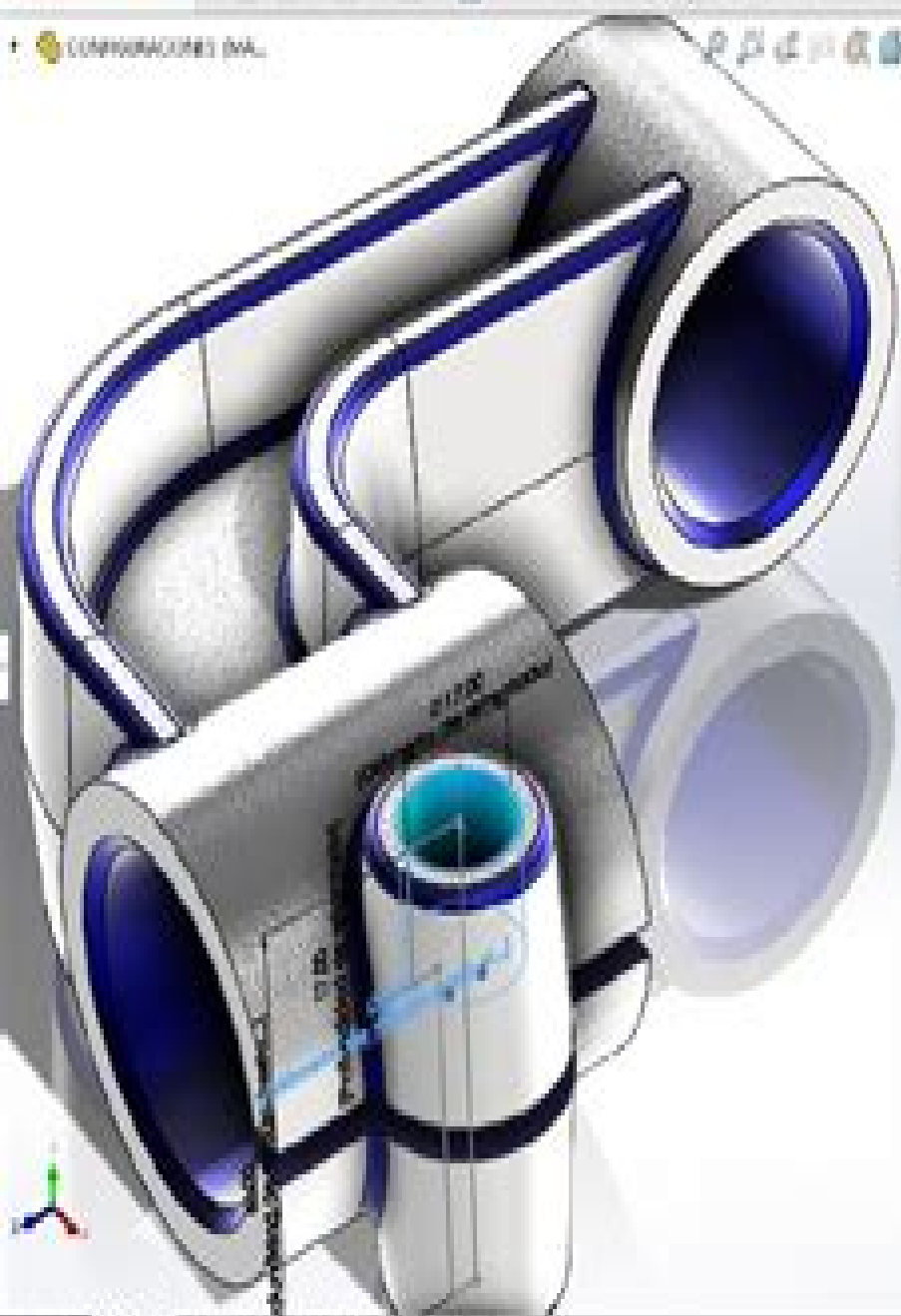


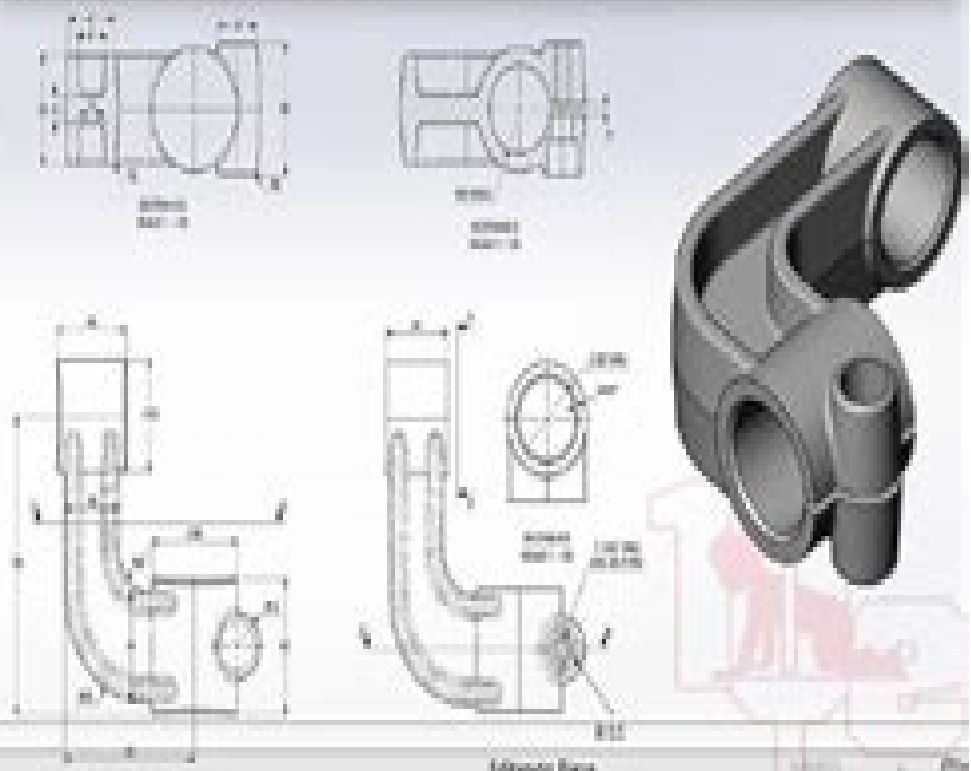
CSWP!!



Modificar configuraciones

Configuración	Estado
Nombre	Aluminio de un solo lado en aluminio
Propiedades	1.00mm
RECOMENDADO	1.00mm

Aplicar Cancelar Ayuda



Advanced Solidworks Cswp

Munyaradzi Gororo, Matt G. Boston

A red circular graphic with a gradient, appearing as a semi-circle on the right side of the slide, partially overlapping the grey bar.

Advanced Solidworks Cswp:

Whispering the Strategies of Language: An Psychological Quest through **Advanced Solidworks Cswp**

In a digitally-driven world wherever displays reign great and instant communication drowns out the subtleties of language, the profound secrets and emotional nuances concealed within words usually move unheard. However, set within the pages of **Advanced Solidworks Cswp** a charming literary treasure pulsating with fresh thoughts, lies a fantastic journey waiting to be undertaken. Composed by an experienced wordsmith, this wonderful opus attracts visitors on an introspective trip, lightly unraveling the veiled truths and profound affect resonating within the very fabric of every word. Within the mental depths of the moving review, we shall embark upon a heartfelt exploration of the book is core themes, dissect their fascinating publishing model, and fail to the powerful resonance it evokes heavy within the recesses of readers hearts.

https://py.bijouxmedusa.com/About/browse/Documents/Dolores_Oriordan_Angel_Fire_Chords_Chordstabslyrics_Com.pdf

Table of Contents Advanced Solidworks Cswp

1. Understanding the eBook Advanced Solidworks Cswp
 - The Rise of Digital Reading Advanced Solidworks Cswp
 - Advantages of eBooks Over Traditional Books
2. Identifying Advanced Solidworks Cswp
 - Exploring Different Genres
 - Considering Fiction vs. Non-Fiction
 - Determining Your Reading Goals
3. Choosing the Right eBook Platform
 - Popular eBook Platforms
 - Features to Look for in an Advanced Solidworks Cswp
 - User-Friendly Interface
4. Exploring eBook Recommendations from Advanced Solidworks Cswp
 - Personalized Recommendations
 - Advanced Solidworks Cswp User Reviews and Ratings

- Advanced Solidworks Cswp and Bestseller Lists
- 5. Accessing Advanced Solidworks Cswp Free and Paid eBooks
 - Advanced Solidworks Cswp Public Domain eBooks
 - Advanced Solidworks Cswp eBook Subscription Services
 - Advanced Solidworks Cswp Budget-Friendly Options
- 6. Navigating Advanced Solidworks Cswp eBook Formats
 - ePub, PDF, MOBI, and More
 - Advanced Solidworks Cswp Compatibility with Devices
 - Advanced Solidworks Cswp Enhanced eBook Features
- 7. Enhancing Your Reading Experience
 - Adjustable Fonts and Text Sizes of Advanced Solidworks Cswp
 - Highlighting and Note-Taking Advanced Solidworks Cswp
 - Interactive Elements Advanced Solidworks Cswp
- 8. Staying Engaged with Advanced Solidworks Cswp
 - Joining Online Reading Communities
 - Participating in Virtual Book Clubs
 - Following Authors and Publishers Advanced Solidworks Cswp
- 9. Balancing eBooks and Physical Books Advanced Solidworks Cswp
 - Benefits of a Digital Library
 - Creating a Diverse Reading Collection Advanced Solidworks Cswp
- 10. Overcoming Reading Challenges
 - Dealing with Digital Eye Strain
 - Minimizing Distractions
 - Managing Screen Time
- 11. Cultivating a Reading Routine Advanced Solidworks Cswp
 - Setting Reading Goals Advanced Solidworks Cswp
 - Carving Out Dedicated Reading Time
- 12. Sourcing Reliable Information of Advanced Solidworks Cswp
 - Fact-Checking eBook Content of Advanced Solidworks Cswp
 - Distinguishing Credible Sources

13. Promoting Lifelong Learning
 - Utilizing eBooks for Skill Development
 - Exploring Educational eBooks
14. Embracing eBook Trends
 - Integration of Multimedia Elements
 - Interactive and Gamified eBooks

Advanced Solidworks Cswp Introduction

Free PDF Books and Manuals for Download: Unlocking Knowledge at Your Fingertips In today's fast-paced digital age, obtaining valuable knowledge has become easier than ever. Thanks to the internet, a vast array of books and manuals are now available for free download in PDF format. Whether you are a student, professional, or simply an avid reader, this treasure trove of downloadable resources offers a wealth of information, conveniently accessible anytime, anywhere. The advent of online libraries and platforms dedicated to sharing knowledge has revolutionized the way we consume information. No longer confined to physical libraries or bookstores, readers can now access an extensive collection of digital books and manuals with just a few clicks. These resources, available in PDF, Microsoft Word, and PowerPoint formats, cater to a wide range of interests, including literature, technology, science, history, and much more. One notable platform where you can explore and download free Advanced Solidworks Cswp PDF books and manuals is the internet's largest free library. Hosted online, this catalog compiles a vast assortment of documents, making it a veritable goldmine of knowledge. With its easy-to-use website interface and customizable PDF generator, this platform offers a user-friendly experience, allowing individuals to effortlessly navigate and access the information they seek. The availability of free PDF books and manuals on this platform demonstrates its commitment to democratizing education and empowering individuals with the tools needed to succeed in their chosen fields. It allows anyone, regardless of their background or financial limitations, to expand their horizons and gain insights from experts in various disciplines. One of the most significant advantages of downloading PDF books and manuals lies in their portability. Unlike physical copies, digital books can be stored and carried on a single device, such as a tablet or smartphone, saving valuable space and weight. This convenience makes it possible for readers to have their entire library at their fingertips, whether they are commuting, traveling, or simply enjoying a lazy afternoon at home. Additionally, digital files are easily searchable, enabling readers to locate specific information within seconds. With a few keystrokes, users can search for keywords, topics, or phrases, making research and finding relevant information a breeze. This efficiency saves time and effort, streamlining the learning process and allowing individuals to focus on extracting the information they need. Furthermore, the availability of free PDF books and manuals fosters a culture of continuous learning. By removing

financial barriers, more people can access educational resources and pursue lifelong learning, contributing to personal growth and professional development. This democratization of knowledge promotes intellectual curiosity and empowers individuals to become lifelong learners, promoting progress and innovation in various fields. It is worth noting that while accessing free Advanced Solidworks Cswp PDF books and manuals is convenient and cost-effective, it is vital to respect copyright laws and intellectual property rights. Platforms offering free downloads often operate within legal boundaries, ensuring that the materials they provide are either in the public domain or authorized for distribution. By adhering to copyright laws, users can enjoy the benefits of free access to knowledge while supporting the authors and publishers who make these resources available. In conclusion, the availability of Advanced Solidworks Cswp free PDF books and manuals for download has revolutionized the way we access and consume knowledge. With just a few clicks, individuals can explore a vast collection of resources across different disciplines, all free of charge. This accessibility empowers individuals to become lifelong learners, contributing to personal growth, professional development, and the advancement of society as a whole. So why not unlock a world of knowledge today? Start exploring the vast sea of free PDF books and manuals waiting to be discovered right at your fingertips.

FAQs About Advanced Solidworks Cswp Books

What is a Advanced Solidworks Cswp PDF? A PDF (Portable Document Format) is a file format developed by Adobe that preserves the layout and formatting of a document, regardless of the software, hardware, or operating system used to view or print it. **How do I create a Advanced Solidworks Cswp PDF?** There are several ways to create a PDF: Use software like Adobe Acrobat, Microsoft Word, or Google Docs, which often have built-in PDF creation tools. Print to PDF: Many applications and operating systems have a "Print to PDF" option that allows you to save a document as a PDF file instead of printing it on paper. Online converters: There are various online tools that can convert different file types to PDF. **How do I edit a Advanced Solidworks Cswp PDF?** Editing a PDF can be done with software like Adobe Acrobat, which allows direct editing of text, images, and other elements within the PDF. Some free tools, like PDFescape or Smallpdf, also offer basic editing capabilities. **How do I convert a Advanced Solidworks Cswp PDF to another file format?** There are multiple ways to convert a PDF to another format: Use online converters like Smallpdf, Zamzar, or Adobe Acrobats export feature to convert PDFs to formats like Word, Excel, JPEG, etc. Software like Adobe Acrobat, Microsoft Word, or other PDF editors may have options to export or save PDFs in different formats. **How do I password-protect a Advanced Solidworks Cswp PDF?** Most PDF editing software allows you to add password protection. In Adobe Acrobat, for instance, you can go to "File" -> "Properties" -> "Security" to set a password to restrict access or editing capabilities. Are there any free alternatives to Adobe

Acrobat for working with PDFs? Yes, there are many free alternatives for working with PDFs, such as: LibreOffice: Offers PDF editing features. PDFsam: Allows splitting, merging, and editing PDFs. Foxit Reader: Provides basic PDF viewing and editing capabilities. How do I compress a PDF file? You can use online tools like Smallpdf, ILovePDF, or desktop software like Adobe Acrobat to compress PDF files without significant quality loss. Compression reduces the file size, making it easier to share and download. Can I fill out forms in a PDF file? Yes, most PDF viewers/editors like Adobe Acrobat, Preview (on Mac), or various online tools allow you to fill out forms in PDF files by selecting text fields and entering information. Are there any restrictions when working with PDFs? Some PDFs might have restrictions set by their creator, such as password protection, editing restrictions, or print restrictions. Breaking these restrictions might require specific software or tools, which may or may not be legal depending on the circumstances and local laws.

Find Advanced Solidworks Cswp :

~~dolores oriordan angel fire chords chordstabslyrics com~~
dubai international bicycle exhibition show january 12th
download pdf ebook by beau taplin

dvx 400 service manual

does it matter if you warm up car during ga cold weather
dream a little of me lead sheet
dummit and foote abstract algebra solution manual

dreamless starcrossed 2 josephine angelini

drivers ed unit 3 test answers

divine comedy i inferno summary gradesaver

discrete and combinatorial mathematics solutions manual

drugs society and human behavior 14th edition mcgraw hill

dream lake friday harbor 3 lisa kleypas

download oxford prison

~~download implementing sap erp financials v narayanan~~

Advanced Solidworks Cswp :

oroonoko an authoritative text historical backgrounds - Oct 01 2022

web oroonoko an authoritative text historical backgrounds criticism 0 norton critical editions von behn aphra isbn 10 0393970140 isbn 13 9780393970142 ww norton co 1997 softcover

oroonoko an authoritative text historical backgrou pdf copy - Feb 22 2022

web apr 7 2023 in some cases you likewise realize not discover the notice oroonoko an authoritative text historical backgrou pdf that you are looking for it will extremely squander the time however below next you visit this web page it will be for that reason totally easy to get as capably as download guide oroonoko an authoritative text

oroonoko an authoritative text historical backgrounds criticism - Oct 13 2023

web language english includes bibliographical references p 269 272 the text of oroonoko or the royal slave a true history historical backgrounds criticism aphra behn a chronology

oroonoko by aphra behn summary characters themes - Aug 11 2023

web background plot summary when you read oroonoko you might find some aspects of the text different from contemporary novels this is because the novel genre did not become popular until the 18th

oroonoko an authoritative text historical backgrounds criticism - Jul 10 2023

web sep 5 2023 british and irish oroonoko an authoritative text historical backgrounds oroonoko an authoritative text historical backgrounds få oroonoko af aphra behn som paperback bog på engelsk 0393970140 oroonoko norton critical editions by behn aphra behn oroonoko or the royal slave

oroonoko an authoritative text historical backgrounds - Aug 31 2022

web the editor supplies explanatory annotations and textual notes historical backgrounds is an especially rich collection of seventeenth and eighteenth century

oroonoko historical and political contexts the british library - Jul 30 2022

web a richly evocative tale oroonoko is not of course straight political allegory and the fictional character of the slave prince is far more than a portrayal of king james ii as a text oroonoko is complex clashing in styles and full of tensions and contradictions

oroonoko an authoritative text historical backgrounds criticism - Mar 26 2022

web oroonoko an authoritative text historical backgrounds criticism aphra behn edited by joanna read more

oroonoko an authoritative text historical backgrounds criticism - Dec 03 2022

web abebooks com oroonoko an authoritative text historical backgrounds criticism this long awaited norton critical edition of aphra behn s best known and most influential work makes available the original 1688 text the only text published in her lifetime a norton critical edition edited by joanna lipking

oroonoko an authoritative text historical backgrounds criticism - Mar 06 2023

web oroonoko an authoritative text historical backgrounds criticism authors aphra behn joanna lipking summary presents the original 1688 text of the classic work by aphra behn about the slave trade in the seventeenth century and includes textual notes historical backgrounds on settlers slaves and slavers opinions on slavery by john

oroonoko norton critical edition pdf peatix - May 28 2022

web historical backgrounds is an especially rich collection of seventeenth and eighteenth century documents about colonizers and slaves in the new world the editor supplies oroonoko norton critical edition pdf explanatory annotations and textual notes

oroonoko a royal slave and or a master of dignity - Sep 12 2023

web the text we give each sequence of actions a name in order to recognize them well in this regard the recognizable names for the actions of the oroonoko might be given as the romance of oroonoko and imoinda in coramantien the rivalry between oroonoko and the old king for imoinda oroonoko and imoinda betrayed by the nameless

oroonoko an authoritative text historical backgrounds criticism - Jun 09 2023

web oroonoko an authoritative text historical backgrounds criticism themes southerne thomas this study guide consists of approximately 31 pages of chapter summaries quotes character analysis themes and more everything you need to sharpen your knowledge of oroonoko print word pdf

oroonoko an authoritative text historical backgrounds - Apr 07 2023

web first published in 1688 oroonoko follows the tragic love story of oroonoko an african prince and his beloved imoinda when the king hears of imoinda s beauty he demands that she become one of his wives giving her a sacred veil thus forcing her to become a member of his harem oroonoko believing that the king is too old to consummate their marriage

oroonoko a tragedy as it is acted at the theatre royal by his - Feb 05 2023

web what metaphors are used in oroonoko an authoritative text historical backgrounds criticism by aphra behn oroonoko a tragedy as it is acted at the theatre royal by his majesty s servants what is the author s tone in oroonoko an authoritative text historical backgrounds criticism by aphra behn

oroonoko an authoritative text historical backgrounds - Apr 26 2022

web buy oroonoko an authoritative text historical backgrounds criticism norton critical editions by behn aphra lipking joanna february 19 1997 paperback by isbn from amazon s book store everyday low prices and free delivery on eligible orders

oroonoko an authoritative text historical backgrounds criticism - Jun 28 2022

web behn aphra 1640 1689 oroonoko enslaved persons suriname fiction slave trade history sources slavery in literature isbn 0393970140 pbk bibliography note includes bibliographical references

oroonoko an authoritative text historical backgrounds - May 08 2023

web oroonoko an authoritative text historical backgrounds criticism characters southerne thomas this study guide consists of approximately 31 pages of chapter summaries quotes character analysis themes and more everything you need to sharpen your knowledge of oroonoko print word pdf

[oroonoko an authoritative text historical backgrounds criticism](#) - Nov 02 2022

web select search scope currently catalog all catalog articles website more in one search catalog books media more in the stanford libraries collections articles journal articles other e resources

oroonoko an authoritative text historical backgrounds criticism - Jan 04 2023

web historical backgrounds is an especially rich collection of seventeenth and eighteenth century documents about colonizers and slaves in the new world topically arranged montaigne on america the settling of surinam observers of slavery 1654 1712 after oroonoko noble africans in europe and opinions on slavery these selections

[amazon fr handkaschierter leuchtglobus zfb 3703 handkaschierter](#) - Apr 11 2023

web retrouvez handkaschierter leuchtglobus zfb 3703 handkaschierter leuchtglobus 37 cm durchm moderne kartografie zweifarbig in cremeweiß beigebraun meridian und fuß aus edelstahl et des millions de livres en stock sur amazon fr achetez neuf ou d occasion

dieser edle doppelbild leuchtglobus ist handkaschiert - Feb 09 2023

web handkaschierter design leuchtglobus zfg 37 03 traditionell handkaschierte kugel mit einem durchmesser von 37 cm fuß und meridian aus gebürstetem edelstahl gesamthöhe 42 cm ozeane und meere in cremeweiß farbtönen kontinente in graublau farbtönen beschriftung in deutscher oder englischer sprache bitte bei bestellung in den

handkaschierter leuchtglobus zfg 3703 isbn 3941066927 isbn - Aug 03 2022

web find many great new used options and get the best deals for handkaschierter leuchtglobus zfg 3703 isbn 3941066927 isbn 13 9783941066922 at the best online prices at ebay free delivery for many products

fz3tf fdb3tf flydubai flugtracking und flugverlaufsdaten - Dec 27 2021

web oct 29 2022 flugstatus tracking und flugverlaufsdaten für flydubai 3tf fz3tf fdb3tf mit geplanten geschätzten und tatsächlichen start und landezeiten

[live flight tracker real time flight tracker map flightradar24](#) - Feb 26 2022

web flightradar24 is the best live flight tracker that shows air traffic in real time best coverage and cool features

9783941066922 zfg 3703 zfg 3703 handkaschierter leuchtglobus 37 cm - Jul 02 2022

web zfg 3703 zfg 3703 handkaschierter leuchtglobus 37 cm durchm handkaschierter leuchtglobus 37 cm durchm moderne zweifarbige kartografie und fuß aus edelstahl design globus finden sie alle bücher von rätghloben 1917

[rätghloben 1917 globus zfb 3703 deutsch 37cm](#) - Jun 13 2023

web handkaschierter design leuchtglobus zfb 37 03traditionell handkaschierte kugel mit einem durchmesser von 37 cmfuß und meridian aus gebürstetem edelstahlgesamthöhe 42 cmozeane

zfb3703handkaschierterleuchtglobus37cmdurch 2023 - Jun 01 2022

web zfb 3703 handkaschierter leuchtglobus 37 cm durchm moderne kartografie zweifarbig in cremeweiß beigebraun meridian und fuß aus edelstahl design globus bydigitaler

handkaschierter standleuchtglobus zfb 37 04 antik leuchtglobus - Nov 06 2022

web produktinformationen handkaschierter standleuchtglobus zfb 37 04 antik leuchtglobus design globe chrome 37cm world rätghloben zfb serie mit diesem wurde eine außergewöhnliche neue form für einen standglobus gefunden

rätghloben handkaschierter design leuchtglobus zfg 3703 globus - Aug 15 2023

web durchmesser von 37 cm fuß und meridian aus gebürstetem edelstahl gesamthöhe 42 cm ozeane und meere in cremeweiß farbtönen kontinente in graublau farbtönen beschriftung in deutscher sprache energieeffizienzklasse a art nr zfg3703 isbn 9783941066922

9783941066915 zfb 3703 handkaschierter leuchtglobus 37 cm - Jul 14 2023

web zfb 3703 handkaschierter leuchtglobus 37 cm durchm moderne kartografie zweifarbig in cremeweiß beigebraun meridian und fuß aus edelstahl design globus finden sie alle bücher von rätghloben 1917

handkaschierter leuchtglobus zfg 3703 2015 globe ebay - Jan 08 2023

web entdecken sie handkaschierter leuchtglobus zfg 3703 2015 globe in der großen auswahl bei ebay kostenlose lieferung für viele artikel

globus handkaschiert handkaschierung globen online kaufen - Mar 10 2023

web leuchtglobus national geographic fusion classic 3703 Ø 37 cm dieser globus überzeugt durch sein klares kartenbild fuß und meridian sind aus gebürstetem edelstahl und verleihen ihm ein apartes Äußeres

massey ferguson 373 teile agri parts - Jan 28 2022

web massey ferguson 373 4 x 4 gebtriebe massey ferguson 373 achse welle massey ferguson 373 achsgehäuse massey ferguson 373 achsschenkel brücke lenkgehäuse

zfb 3703 handkaschierter leuchtglobus 37 cm durchm moderne - Sep 04 2022

web zfb 3703 handkaschierter leuchtglobus 37 cm durchm moderne kartografie zweifarbig in cremeweiß beigebraun meridian und fuß aus edelstahl design globus by handkaschierter leuchtglobus zfg 3703 morawa at oqef zfb 3703

handkaschierter leuchtglobus 37 cm tischgloben ab ø 37cm rätghloben 1917 verlag globus modern

handkaschierter leuchtglobus zfb 3703 handkaschierter leuchtglobus 37 - Dec 07 2022

web handkaschierter leuchtglobus zfb 3703 handkaschierter leuchtglobus 37 cm durchm moderne kartografie zweifarbig in

cremeweiß beigebraun meridian und fuß aus edelstahl amazon es libros

[zfb 3703 handkaschierter leuchtglobus 37 cm durchm moderne](#) - Mar 30 2022

web zfg 3703 freytag amp berndt reisebuchhandlung handkaschierter standleuchtglobus zfb 37 04 antik tischglobus zfb 37 01 ø 37 cm rãthgloben premium rãthgloben handkaschierter design leuchtglobus zfb 3703 politischer leuchtglobus ctn 3703 128848628 299 00 doppelbild leuchtglobus dfn 37 02 rãthgloben leuchtgloben günstig online kaufen

hss kilavuz ve paftalar güven import export - Apr 30 2022

web hss tıtanyum helıs makına kilavuzu din 371 c 376 35 derece details

[zfg 3703 zfg 3703 handkaschierter leuchtglobus 37 cm](#) - May 12 2023

web zfg 3703 zfg 3703 handkaschierter leuchtglobus 37 cm durchm handkaschierter leuchtglobus 37 cm durchm moderne zweifarbige kartografie und fuß aus edelstahl design globus rãthgloben isbn 9783941066922 kostenloser versand für alle bücher mit versand und verkauf duch amazon

handkaschierter leuchtglobus zfb 3703 handkaschierter leuchtglobus 37 - Oct 05 2022

web compre online handkaschierter leuchtglobus zfb 3703 handkaschierter leuchtglobus 37 cm durchm moderne kartografie zweifarbige in cremeweiß beigebraun meridian und fuß aus edelstahl de na amazon frete grÁtis em milhares de produtos com o amazon prime encontre diversos livros em inglês e outras línguas com ótimos

[asm handbook volume 5a thermal spray technology](#) - Aug 06 2022

web volume 5a is a replacement for the handbook of thermal spray technology edited by j r davis asm 2004 the volume provides an introduction to modern thermal spray processes including plasma spray high velocity oxy fuel and detonation gun deposition and a description of coating properties their wear corrosion and thermal barrier

asm handbook volume 5a af robert c tucker red - Nov 09 2022

web volume 5a is a replacement for the handbook of thermal spray technology edited by j r davis asm 2004 the volume provides an introduction to modern thermal spray processes including plasma spray high velocity oxy fuel and detonation gun deposition and a description of coating properties their wear corrosion and thermal barrier

asm handbook volume 5a thermal spray technology abe - Jan 11 2023

web sep 30 2013 this new addition to the asm handbook series is co published by the thermal spray society and asm international volume 5a is a replacement for the handbook of thermal spray technology edited by j r davis asm 2004 the volume provides an introduction to modern thermal spray processes

asm handbook volume 5a thermal spray technology - Dec 10 2022

web asm handbook volume 5a thermal spray technology authors robert c tucker asm international thermal spray society asm international handbook committee ebook english 2013 edition view all formats and editions publisher asm international ohio

2013 show more information

big ip application security manager getting started f5 inc - Jan 31 2022

web feb 6 2017 a positive security model asm secures applications based on a combination of validated user sessions and user input as well as a valid application response asm also includes built in security policy templates that can quickly secure common applications asm also protects applications using negative security by means of attack signatures

asm handbook volume 5a thermal spray technology - Jun 04 2022

web asm handbook volume 5a thermal spray technology editor robert c tucker jr hardcover product code 05348g isbn 978 1 61503 996 8 classified as thermal spray technology price 380 00 member retail 285 00 buy product formats free asm instruction loudness 5a thermal spray engineering online digital download 42

asm handbook volume 5a 2013 normsplash com - Apr 14 2023

web asm handbook volume 5a thermal spray technology provides an introduction to modern thermal spray processes including plasma spray high velocity oxy fuel and detonation gun deposition and a description of coating properties their wear corrosion and thermal barrier characteristics

asm handbook volume 5a thermal spray technology - Sep 19 2023

web buy this book which is co published by the thermal spray society and asm international which covers principles processes types of coatings applications performance and testing analysis this book is an excellent introduction

asm handbook volume 5a google books - Jul 17 2023

web bibliographic information this new addition to the asm handbook series is co published by the thermal spray society and asm international volume 5a is a replacement for the handbook of

asm handbookw asm international - Aug 18 2023

web asm handbook volume 5a thermal spray technology provides an introduction to modern thermal spray processes including plasma spray high velocity oxy fuel and detonation gun deposition and a description of coating properties their wear corrosion and thermal barrier characteristics

handbooks by volume handbooks asm digital library - Feb 12 2023

web volume 5a thermal spray technology volume 5b protective organic coatings volume 6 welding brazing and soldering volume 6a welding fundamentals and processes volume 7 powder metallurgy volume 8 mechanical testing and evaluation volume 9 metallography and microstructures volume 10 materials characterization volume 11 failure analysis

asm handbook volume 5a engineering kitapları - Sep 07 2022

web asm handbook volume 5a editör robert c tucker yayınevleri asm international kitap formatı ciltli kutulu kitap

asm handbook vol 05a thermal spray technology - Oct 08 2022

web toggle navigation asm handbook vol 05a thermal spray technology quantity add to cart back to store one year renewable subscription provides access to the following asm handbook volume 05a thermal spray technology online assign members

asm handbook 5a pdf cyberlab sutd edu sg - Apr 02 2022

web aug 20 2023 asm handbook volume 5a sep 13 2023 revised edition to the 2004 handbook presented as an official publication of the thermal spray society an extensive reference guide to thermal spray technology the handbook covers principles processes types of coatings applications performance and testing analysis

thermal spray technology handbooks asm digital library - Mar 13 2023

web aug 1 2013 volume 5a provides an introduction to thermal spray technology including plasma spray high velocity oxy fuel and detonation gun deposition it explains how each process works and the types of coating materials typically used

handbooks asm digital library - May 15 2023

web the asm handbook is a comprehensive and authoritative guide to the structure properties processing performance and evaluation of metals and nonmetallic engineering materials to learn more about the features of asm handbooks online view the demonstration video what s new

asm handbook volume 5a thermal spray technology - Jun 16 2023

web asm handbook volume 5a thermal spray technology asm international robert c tucker jr pages 412 2013 isbn 978 1 61503 996 8 297 00 ebook 297 00 this new addition to the asm hand book series is co published by the thermal spray society and asm inter national

asm handbook volume 5 pdf pdf alloy thin film scribd - May 03 2022

web asm handbook volume 5 pdf free download as pdf file pdf text file txt or read online for free

asm handbook set 42 volumes asm international - Jul 05 2022

web asm handbook set 42 volumes hardcover product code 06951g isbn 978 1 62708 026 2 price 14 364 00 member price 10 773 00 please contact the asm international member service center at 440 671 3800 800 336 5152 or via email at memberservicecenter asminternational org for shipping information buy product

asm handbook 5a pqr uiaf gov co - Mar 01 2022

web asm handbook volume 5a asm international handbook committee 2013 revised edition to the 2004 handbook presented as an official publication of the thermal spray society an extensive reference guide to thermal spray technology the handbook covers principles processes types of coatings applications performance and testing analysis